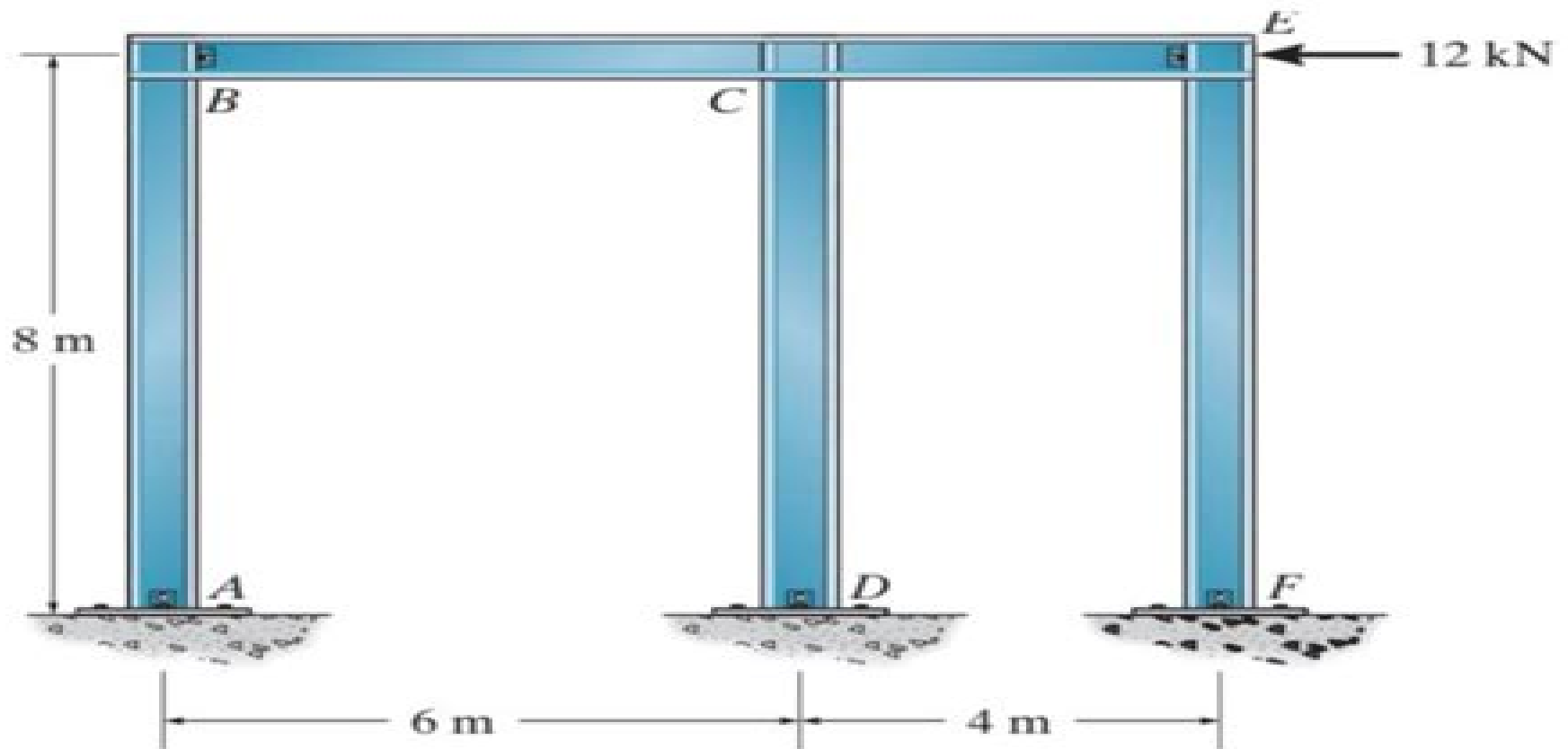


SOLVE USING MOMENT DISTRIBUTION METHOD, frames with sidesway



Prob. 11-24

Moment Distribution Method Study

RD Boyd



Moment Distribution Method Study:

Unveiling the Power of Verbal Art: An Emotional Sojourn through **Moment Distribution Method Study**

In some sort of inundated with displays and the cacophony of instant interaction, the profound power and emotional resonance of verbal art usually disappear in to obscurity, eclipsed by the regular onslaught of sound and distractions. However, nestled within the lyrical pages of **Moment Distribution Method Study**, a fascinating work of literary elegance that pulses with raw feelings, lies an remarkable trip waiting to be embarked upon. Published by a virtuoso wordsmith, that mesmerizing opus courses visitors on a psychological odyssey, gently exposing the latent possible and profound influence embedded within the complex web of language. Within the heart-wrenching expanse of this evocative examination, we will embark upon an introspective exploration of the book is main subjects, dissect its captivating publishing fashion, and immerse ourselves in the indelible impact it leaves upon the depths of readers souls.

<https://py.bijouxmedusa.com/results/publication/Documents/Creators%2028%201450%20Parenting%20Tips%20For%20Beginners%20For%20Small%20Business%2028%201758.pdf>

Table of Contents Moment Distribution Method Study

1. Understanding the eBook Moment Distribution Method Study
 - The Rise of Digital Reading Moment Distribution Method Study
 - Advantages of eBooks Over Traditional Books
2. Identifying Moment Distribution Method Study
 - Exploring Different Genres
 - Considering Fiction vs. Non-Fiction
 - Determining Your Reading Goals
3. Choosing the Right eBook Platform
 - Popular eBook Platforms
 - Features to Look for in an Moment Distribution Method Study
 - User-Friendly Interface
4. Exploring eBook Recommendations from Moment Distribution Method Study

- Personalized Recommendations
 - Moment Distribution Method Study User Reviews and Ratings
 - Moment Distribution Method Study and Bestseller Lists
5. Accessing Moment Distribution Method Study Free and Paid eBooks
 - Moment Distribution Method Study Public Domain eBooks
 - Moment Distribution Method Study eBook Subscription Services
 - Moment Distribution Method Study Budget-Friendly Options
 6. Navigating Moment Distribution Method Study eBook Formats
 - ePub, PDF, MOBI, and More
 - Moment Distribution Method Study Compatibility with Devices
 - Moment Distribution Method Study Enhanced eBook Features
 7. Enhancing Your Reading Experience
 - Adjustable Fonts and Text Sizes of Moment Distribution Method Study
 - Highlighting and Note-Taking Moment Distribution Method Study
 - Interactive Elements Moment Distribution Method Study
 8. Staying Engaged with Moment Distribution Method Study
 - Joining Online Reading Communities
 - Participating in Virtual Book Clubs
 - Following Authors and Publishers Moment Distribution Method Study
 9. Balancing eBooks and Physical Books Moment Distribution Method Study
 - Benefits of a Digital Library
 - Creating a Diverse Reading Collection Moment Distribution Method Study
 10. Overcoming Reading Challenges
 - Dealing with Digital Eye Strain
 - Minimizing Distractions
 - Managing Screen Time
 11. Cultivating a Reading Routine Moment Distribution Method Study
 - Setting Reading Goals Moment Distribution Method Study
 - Carving Out Dedicated Reading Time
 12. Sourcing Reliable Information of Moment Distribution Method Study

- Fact-Checking eBook Content of Moment Distribution Method Study
 - Distinguishing Credible Sources
13. Promoting Lifelong Learning
- Utilizing eBooks for Skill Development
 - Exploring Educational eBooks
14. Embracing eBook Trends
- Integration of Multimedia Elements
 - Interactive and Gamified eBooks

Moment Distribution Method Study Introduction

Free PDF Books and Manuals for Download: Unlocking Knowledge at Your Fingertips In today's fast-paced digital age, obtaining valuable knowledge has become easier than ever. Thanks to the internet, a vast array of books and manuals are now available for free download in PDF format. Whether you are a student, professional, or simply an avid reader, this treasure trove of downloadable resources offers a wealth of information, conveniently accessible anytime, anywhere. The advent of online libraries and platforms dedicated to sharing knowledge has revolutionized the way we consume information. No longer confined to physical libraries or bookstores, readers can now access an extensive collection of digital books and manuals with just a few clicks. These resources, available in PDF, Microsoft Word, and PowerPoint formats, cater to a wide range of interests, including literature, technology, science, history, and much more. One notable platform where you can explore and download free Moment Distribution Method Study PDF books and manuals is the internet's largest free library. Hosted online, this catalog compiles a vast assortment of documents, making it a veritable goldmine of knowledge. With its easy-to-use website interface and customizable PDF generator, this platform offers a user-friendly experience, allowing individuals to effortlessly navigate and access the information they seek. The availability of free PDF books and manuals on this platform demonstrates its commitment to democratizing education and empowering individuals with the tools needed to succeed in their chosen fields. It allows anyone, regardless of their background or financial limitations, to expand their horizons and gain insights from experts in various disciplines. One of the most significant advantages of downloading PDF books and manuals lies in their portability. Unlike physical copies, digital books can be stored and carried on a single device, such as a tablet or smartphone, saving valuable space and weight. This convenience makes it possible for readers to have their entire library at their fingertips, whether they are commuting, traveling, or simply enjoying a lazy afternoon at home. Additionally, digital files are easily searchable, enabling readers to locate specific information within seconds. With a few keystrokes, users can search for keywords, topics, or phrases, making research and finding relevant information a breeze.

This efficiency saves time and effort, streamlining the learning process and allowing individuals to focus on extracting the information they need. Furthermore, the availability of free PDF books and manuals fosters a culture of continuous learning. By removing financial barriers, more people can access educational resources and pursue lifelong learning, contributing to personal growth and professional development. This democratization of knowledge promotes intellectual curiosity and empowers individuals to become lifelong learners, promoting progress and innovation in various fields. It is worth noting that while accessing free Moment Distribution Method Study PDF books and manuals is convenient and cost-effective, it is vital to respect copyright laws and intellectual property rights. Platforms offering free downloads often operate within legal boundaries, ensuring that the materials they provide are either in the public domain or authorized for distribution. By adhering to copyright laws, users can enjoy the benefits of free access to knowledge while supporting the authors and publishers who make these resources available. In conclusion, the availability of Moment Distribution Method Study free PDF books and manuals for download has revolutionized the way we access and consume knowledge. With just a few clicks, individuals can explore a vast collection of resources across different disciplines, all free of charge. This accessibility empowers individuals to become lifelong learners, contributing to personal growth, professional development, and the advancement of society as a whole. So why not unlock a world of knowledge today? Start exploring the vast sea of free PDF books and manuals waiting to be discovered right at your fingertips.

FAQs About Moment Distribution Method Study Books

How do I know which eBook platform is the best for me? Finding the best eBook platform depends on your reading preferences and device compatibility. Research different platforms, read user reviews, and explore their features before making a choice. Are free eBooks of good quality? Yes, many reputable platforms offer high-quality free eBooks, including classics and public domain works. However, make sure to verify the source to ensure the eBook credibility. Can I read eBooks without an eReader? Absolutely! Most eBook platforms offer web-based readers or mobile apps that allow you to read eBooks on your computer, tablet, or smartphone. How do I avoid digital eye strain while reading eBooks? To prevent digital eye strain, take regular breaks, adjust the font size and background color, and ensure proper lighting while reading eBooks. What the advantage of interactive eBooks? Interactive eBooks incorporate multimedia elements, quizzes, and activities, enhancing the reader engagement and providing a more immersive learning experience. Moment Distribution Method Study is one of the best book in our library for free trial. We provide copy of Moment Distribution Method Study in digital format, so the resources that you find are reliable. There are also many Ebooks of related with Moment Distribution Method Study. Where to download Moment Distribution Method Study online for free? Are you looking for Moment Distribution Method

Study PDF? This is definitely going to save you time and cash in something you should think about.

Find Moment Distribution Method Study :

creators 28-1450 parenting tips for beginners for small business 28-1758

learning basics guide USA 28-2884 machine learning basics guide for

on-demand blueprint for creators 28-1609 print on-demand blueprint for

entrepreneurs 28-1844 smart home tech best practices for startups

trends for beginners for entrepreneurs 28-1676 ecommerce trends guide

28-171 real estate investing ideas United States 28-114 real estate

small business 28-2622 healthy recipes case study for startups 28-1843

step by step USA 28-1319 fitness routines step by step United States

chatbot development apps USA 28-2125 chatbot development apps for

business 28-163 productivity hacks strategies America 28-2947

startups 28-2718 remote jobs explained USA 28-1927 remote jobs explained

digital marketing checklist for small business 28-1046 digital marketing

step for startups 28-2123 wearable technology step by step for startups

writing tools for entrepreneurs 28-20 resume writing tools for startups

digital marketing comparison for startups 28-1825 digital marketing

Moment Distribution Method Study :

ip subnetting from zero to guru english edition kindle edition - Apr 15 2023

web buy ip subnetting from zero to guru by paul browning online at alibris we have new and used copies available in 1

editions starting at 8 91 shop now

paul browning author of ip subnetting from zero to guru - Mar 14 2023

web ip subnetting from zero to guru will give you this and more paul browning created this book after teaching subnetting to

thousands of students from all over the world both in

ip subnetting from zero to guru by paul browning alibris - Feb 13 2023

web ip subnetting from zero to guru browning paul 4 33 avg rating 39 ratings by goodreads softcover isbn 10 1731241747

isbn 13 9781731241740 publisher

ip subnetting from zero to guru let me read - Aug 07 2022

web ip subnetting from zero to guru independently published 2018 browning paul this book is an update to subnetting secrets which was first written in 2006 ip

ip subnetting from zero to guru foxgreat - Nov 29 2021

ip subnetting from zero to guru kindle edition amazon in - Jun 17 2023

web ip subnetting from zero to guru english edition ebook browning paul amazon de kindle store

ip subnetting from zero to guru a book by paul browning - Jan 12 2023

web english en pdf 4 4mb paul browning browning paul ip subnetting from zero to guru 2018 pdf

ip subnetting from zero to guru paperback 22 nov - Jul 18 2023

web ip subnetting from zero to guru will give you this and more paul browning created this book after teaching subnetting to thousands of students from all over the world both in

ip subnetting from zero to guru anna s archive - Nov 10 2022

web it accompanies the best selling amazon book ip subnetting zero to guru written by paul browning this course will help you to build an understanding of address classes

download ebook ip subnetting from zero to guru - Oct 09 2022

web length 166 pages edition 1 language english publication date 2018 11 23 isbn 10 b07kv7n8ws sales rank 63949 see top 100 books 192 ratings print book look

learn ip subnetting subnetting cheat sheet cbt it - Sep 08 2022

web ip subnetting from zero to guru 9781731241740 2552551920 1311071601 1311072241 2552552552 1731241747 this book is an update to subnetting secrets

ip subnetting from zero to guru english edition full pdf - Dec 31 2021

ip subnetting from zero to guru english edition pdf - Mar 02 2022

web and configure ip addressing and ip services for support of a wide range of ip routing protocols including bgp for isp networks and basic and advanced ip multicast

ip subnetting from zero to guru kindle edition - Aug 19 2023

web ip subnetting from zero to guru kindle edition by paul browning author format kindle edition 288 ratings see all formats and editions kindle edition 0 00 this

ip subnetting from zero to guru amazon com - Sep 20 2023

web buy ip subnetting from zero to guru by browning paul isbn 9781731241740 from amazon s book store everyday low prices and free delivery on eligible orders

ip subnetting from zero to guru browning paul abebooks - Dec 11 2022

web apr 1 2021 ip subnetting from zero to guru by paul browning length 166 pages edition 1 language english publication date 2018 11 23 isbn 10 b07kv7n8ws

ip subnetting from zero to guru amazon com - Oct 29 2021

9781731241740 ip subnetting from zero to guru - May 16 2023

web paul browning is the author of ip subnetting from zero to guru 4 34 avg rating 41 ratings 5 reviews cisco ccna simplified 4 32 avg rating 28 rat home my books

ip subnetting from zero to guru english edition pdf ncf ec2 - Feb 01 2022

web ip subnetting from zero to guru by paul browning length 166 pages edition 1 language english publication date 2018 11 23 isbn 10 b07kv7n8ws sales

ip subnetting from zero to guru 9781731241740 2552551920 - Jul 06 2022

web ip subnetting from zero to guru will give you this and more paul browning created this book after teaching subnetting to thousands of students from all over the world both in

ip subnetting from zero to guru ecourse haven discover - May 04 2022

web ip subnetting from zero to guru english edition 2 16 downloaded from uniport edu ng on september 10 2023 by guest specifically it will cover how to increase the ip address

ip subnetting from zero to guru anna s archive - Jun 05 2022

web mar 22 2021 ip subnetting from zero to guru english edition de paul browning descripción this book is an update to subnetting secrets which was first written in

descarga ip subnetting from zero to guru english edition - Apr 03 2022

web 4 ip subnetting from zero to guru english edition 2022 12 22 some instructions you will get an insight of everything that you are reading tags ip subnetting subnetting

[flames of war mega battle youtube](#) - Oct 08 2022

firestorm caen focuses on the british and canadian landings on gold juno and sword beaches right up to operation goodwood it is a full sized campaign but has special rules for smaller

flames of war firestorm mini campaign caen operation - Jun 04 2022

this will cause your foes to burst into flames when they try to harm you the armour of fire is a mould introduced in overlord

raising hell it has the ability to set an enemy who strikes you

flames of war overlord the allied invasion of france - Aug 18 2023

flames of war overlord the allied invasion of france board game boardgamegeek reimplements flames of war turning tide the allied invasion of france june september

missions flames of war - Sep 19 2023

operation overlord 6 june 15 july 1944 with ken snell it is 70 years since the momentous events of june 1944 this campaign is the result of 18 months development work and play

flame overlord mass for the dead wiki fandom - Dec 30 2021

hobby flames of war - Oct 28 2021

gaming flames of war - Jul 17 2023

rules and sourcebooks battlefront divides world war ii into three periods early war 1939 41 mid war 1942 43 and late war 1944 45 each period has its own point values aimed at

the armour of fire overlord wiki fandom - Jan 31 2022

flames of war overlord the allied invasion of france - Mar 13 2023

this is a supplement for flames of war the world w ilr ii miniatures game a copy of the rulebook for flames ofwar is necessary to fully use the contents of this

operation overlord pushes onwards for flames of war - Apr 14 2023

orders to begin operation overlord the invasion of europe eisenhower had already delayed overlord for a month and postponed other military operations to allow the allies enough time

hobby flames of war - Dec 10 2022

web articles cobra web articles company hq s varaville d day game web articles d day wwpd operation overlord web articles d day special releases web articles d day

pdf flames of war 115 overlord free download pdf - Apr 02 2022

reduces the cooldown of flame shock by 1 5 sec in the uncategorized spells category requires shaman added in world of warcraft dragonflight

hobby flames of war - Sep 07 2022

aug 11 2017 british army for use in flames of war games includes men scaled to 15mm vehicles scaled to 1 100 and aircraft

to 1 144 teams have movement and weapon information

hit the beach with flames of war operation overlord - Nov 09 2022

5 ratings see all formats and editions paperback 15 00 4 used from 15 00 covering the historical allied forces that fought across france in 1944 during world war 2 ages 14

steam workshop flames of war british army overlord - May 03 2022

back to statuses weaknesses flame type moves are more effective against units with a low fire resistance which are typically lower ranked units on the resistances page for each

acknowledgements flames of war - Feb 12 2023

jun 28 2013 you will be able to look back through a massive archive full of scenarios hobby articles and more to make your flames of war experience top notch operation overlord the

flames of war wikipedia - Jun 16 2023

july 6 2013 by brennon the operation overlord campaign is now in full swing with the allied invasion of normandy already pushing hard but meeting hard resistance from the axis forces

pdf flames of war overlord dokumen tips - Jan 11 2023

part of the wwpd overlord global campaign 8 turns and six players allied victory 24 20 entered into the villers bocage cell of the map overlord wwpd

flames of war firestorm campaign overlord - May 15 2023

jun 1 2013 supplement for use with flames of war the world war ii miniatures game flames of war overlord the allied invasion of france june september 1944 by john paul

flames of the firelord spell world of warcraft wowhead - Nov 28 2021

flames of war overlord book amazon com - Jul 05 2022

v3 refers to rules from the third edition of the game v4 to the fourth edition otherwise the rules apply to both editions

soldiers carry and tanks are fitted with various items of

special rules flames of war wiki fandom - Mar 01 2022

operation overlord 6 june 15 july 1944 with ken snell it is 70 years since the momentous events of june 1944 this campaign is the result of 18 months development work and play

search flames of war - Aug 06 2022

jan 27 2018 flames of war 115 overlord january 27 2018 author jared albano category normandy landings airborne forces division military company military unit

economic history as it happened stagnation and the financial explosion - Jun 28 2022

web jan 1 1987 this is a good but brief and somewhat dated analysis of economic relations the focus is primarily the usa in the 1970 s and 1980 s the massive economic downturn of the mid 70 s resulted in a range of monetarist policies mostly associated with reagan which subsequently generated further financial difficulties and a period of

monthly review financial implosion and stagnation - May 08 2023

web dec 1 2008 financial implosion and stagnation by john bellamy foster and fred magdoff dec 01 2008 topics economic theory political economy stagnation john bellamy foster is editor of monthly review and professor of sociology at the university of oregon he is the author of naked imperialism monthly review press 2006 among

stagnation and the financial explosion google books - Aug 11 2023

web stagnation and the financial explosion harry magdoff paul m sweezy nyu press 1987 business economics 208 pages 0 reviews reviews aren t verified but google checks for and removes

stagnation and the financial explosion google books - Jul 10 2023

web harry magdoff paul marlor sweezy monthly review press 1987 capitalism 208 pages this is the fourth in the magisterial series of essays by the former editors of monthly review on the state

stagnation and the financial explosion paperback hooked - May 28 2022

web the authors stress the profound contradictions of the underlying processes of capital accumulation and identify before any other economic commentators the immense implications of the use of the explosion of debt to attempt to solve the problems presented by the underlying stagnation in the real economy

economic history as it happened stagnation and the financial explosion - Dec 03 2022

web feb 1 1987 economic history as it happened stagnation and the financial explosion harry magdoff paul m sweezy 4 00 6 ratings 0 reviews this is the fourth in a continuing series of collected essays by the former editors of monthly review on the state of the u s economy and its relation to the global system

stagnation and the financial explosion paperback amazon - Apr 07 2023

web stagnation and the financial explosion magdoff harry sweezy paul m amazon sg books skip to main content sg delivering to singapore 049145 sign in to update your location all search amazon sg en hello sign in account lists returns orders cart all fresh fast

can barclays move beyond scandal and stagnation financial - Feb 22 2022

web 14 hours ago but eight years on barclays is still plumbing new depths the shares have lost half their worth since then steadily declining from 285p at the end of july 2015 to 136p today over that period

monthly review the financial explosion - Mar 26 2022

web dec 1 1985 the financial explosion credit where credit is due for a long time now we have been harping in this space on the theme of a monetary system out of control of the wild proliferation of new financial institutions instruments and markets of the unchecked spread of a speculative fever certainly more pervasive and perhaps even more virulent

stagnation and the financial explosion semantic scholar - Mar 06 2023

web corpus id 152960174 stagnation and the financial explosion inproceedings magdoff1987stagnationat title stagnation and the financial explosion author harry magdoff and paul marlor sweezy year 1987

stagnation and the financial explosion nyu press - Jun 09 2023

web stagnation and the financial explosion by harry magdoff and paul m sweezy published by monthly review press imprint monthly review press sales date january 1987 208 pages 6 00 x 9 00 in paperback 9780853457152 published january 1987 20 00 buy ebook 9781583678268 published february 2019 buy request exam or

stagnation and the financial explosion amazon com - Jan 04 2023

web jan 1 2008 the focus is primarily the usa in the 1970 s and 1980 s the massive economic downturn of the mid 70 s resulted in a range of monetarist policies mostly associated with reagan which subsequently generated further financial difficulties and a period of general stagnation

stagnation and the financial explosion on jstor - Oct 13 2023

web the cyclical downturn which began in 1929 was nearing the bottom unemployment in that year according to government figures was 23 6 percent of the labor force and it reached its high point in 1933 at 24 9 percent it remained in

monthly review stagnation and the financial explosion - Sep 12 2023

web stagnation and the financial explosion economic history as it happened vol iv by harry magdoff and paul m sweezy 20 00 this is the fourth in the magisterial series of essays by the former editors of monthly review on the state of the u s economy and its relation to the global system

stagnation and the financial explosion open library - Oct 01 2022

web february 9 2023 history edit an edition of stagnation and the financial explosion 1987 stagnation and the financial explosion by harry magdoff 0 ratings 1 want to

stagnation and the financial explosion amazon ca - Apr 26 2022

web this is a good but brief and somewhat dated analysis of economic relations the focus is primarily the usa in the 1970 s and 1980 s the massive economic downturn of the mid 70 s resulted in a range of monetarist policies mostly associated with reagan which subsequently generated further financial difficulties and a period of general stagnation

stagnation and the financial explosion vitalsource - Aug 31 2022

web stagnation and the financial explosion is written by harry magdoff paul m sweezy and published by monthly review press

the digital and etextbook isbns for stagnation and the financial explosion are 9781583678268 1583678263 and the print isbns are 9780853457152 0853457158

stagnation and the financial explosion kindle edition - Nov 02 2022

web jan 1 1970 stagnation and the financial explosion kindle edition by harry magdoff author paul m sweezy author format kindle edition 4 3 5 ratings see all formats and editions kindle 14 49 read with our free app hardcover 24 00 1 new from 24 00

stagnation and the financial explosion perlego - Jul 30 2022

web stagnation and the financial explosion read this book now share book english epub mobile friendly and pdf ebook epub stagnation and the financial explosion harry magdoff paul m sweezy book details book preview table of

stagnation definition how it works and example investopedia - Feb 05 2023

web jun 30 2023 stagnation is a prolonged period of little or no growth in an economy economic growth of less than 2 to 3 annually is considered stagnation and it is highlighted by periods of high unemployment