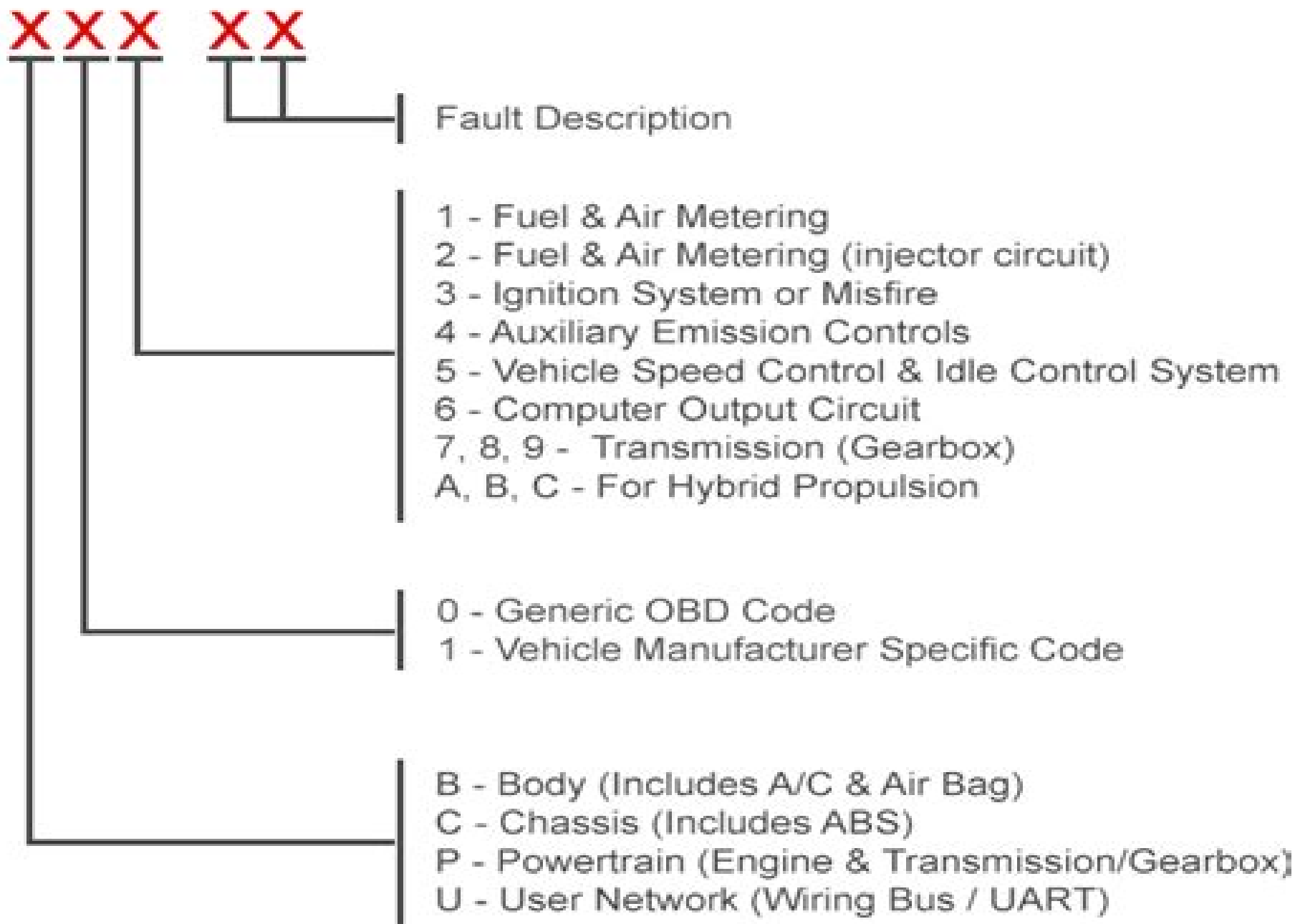


Explanation of OBD2 Diagnostic Trouble Codes



Dtc Obd2 Toyota Engine Code 97

Rachel S Tattersall



Dtc Obd2 Toyota Engine Code 97:

Decoding **Dtc Obd2 Toyota Engine Code 97**: Revealing the Captivating Potential of Verbal Expression

In an era characterized by interconnectedness and an insatiable thirst for knowledge, the captivating potential of verbal expression has emerged as a formidable force. Its ability to evoke sentiments, stimulate introspection, and incite profound transformations is genuinely awe-inspiring. Within the pages of "**Dtc Obd2 Toyota Engine Code 97**," a mesmerizing literary creation penned by way of a celebrated wordsmith, readers set about an enlightening odyssey, unraveling the intricate significance of language and its enduring affect our lives. In this appraisal, we shall explore the book is central themes, evaluate its distinctive writing style, and gauge its pervasive influence on the hearts and minds of its readership.

https://py.bijouxmedusa.com/data/publication/default.aspx/applied_combinatorics_by_alan_tucker.pdf

Table of Contents Dtc Obd2 Toyota Engine Code 97

1. Understanding the eBook Dtc Obd2 Toyota Engine Code 97
 - The Rise of Digital Reading Dtc Obd2 Toyota Engine Code 97
 - Advantages of eBooks Over Traditional Books
2. Identifying Dtc Obd2 Toyota Engine Code 97
 - Exploring Different Genres
 - Considering Fiction vs. Non-Fiction
 - Determining Your Reading Goals
3. Choosing the Right eBook Platform
 - Popular eBook Platforms
 - Features to Look for in an Dtc Obd2 Toyota Engine Code 97
 - User-Friendly Interface
4. Exploring eBook Recommendations from Dtc Obd2 Toyota Engine Code 97
 - Personalized Recommendations
 - Dtc Obd2 Toyota Engine Code 97 User Reviews and Ratings
 - Dtc Obd2 Toyota Engine Code 97 and Bestseller Lists

5. Accessing Dtc Obd2 Toyota Engine Code 97 Free and Paid eBooks
 - Dtc Obd2 Toyota Engine Code 97 Public Domain eBooks
 - Dtc Obd2 Toyota Engine Code 97 eBook Subscription Services
 - Dtc Obd2 Toyota Engine Code 97 Budget-Friendly Options
6. Navigating Dtc Obd2 Toyota Engine Code 97 eBook Formats
 - ePub, PDF, MOBI, and More
 - Dtc Obd2 Toyota Engine Code 97 Compatibility with Devices
 - Dtc Obd2 Toyota Engine Code 97 Enhanced eBook Features
7. Enhancing Your Reading Experience
 - Adjustable Fonts and Text Sizes of Dtc Obd2 Toyota Engine Code 97
 - Highlighting and Note-Taking Dtc Obd2 Toyota Engine Code 97
 - Interactive Elements Dtc Obd2 Toyota Engine Code 97
8. Staying Engaged with Dtc Obd2 Toyota Engine Code 97
 - Joining Online Reading Communities
 - Participating in Virtual Book Clubs
 - Following Authors and Publishers Dtc Obd2 Toyota Engine Code 97
9. Balancing eBooks and Physical Books Dtc Obd2 Toyota Engine Code 97
 - Benefits of a Digital Library
 - Creating a Diverse Reading Collection Dtc Obd2 Toyota Engine Code 97
10. Overcoming Reading Challenges
 - Dealing with Digital Eye Strain
 - Minimizing Distractions
 - Managing Screen Time
11. Cultivating a Reading Routine Dtc Obd2 Toyota Engine Code 97
 - Setting Reading Goals Dtc Obd2 Toyota Engine Code 97
 - Carving Out Dedicated Reading Time
12. Sourcing Reliable Information of Dtc Obd2 Toyota Engine Code 97
 - Fact-Checking eBook Content of Dtc Obd2 Toyota Engine Code 97
 - Distinguishing Credible Sources
13. Promoting Lifelong Learning

- Utilizing eBooks for Skill Development
 - Exploring Educational eBooks
14. Embracing eBook Trends
- Integration of Multimedia Elements
 - Interactive and Gamified eBooks

Dtc Obd2 Toyota Engine Code 97 Introduction

In this digital age, the convenience of accessing information at our fingertips has become a necessity. Whether its research papers, eBooks, or user manuals, PDF files have become the preferred format for sharing and reading documents. However, the cost associated with purchasing PDF files can sometimes be a barrier for many individuals and organizations. Thankfully, there are numerous websites and platforms that allow users to download free PDF files legally. In this article, we will explore some of the best platforms to download free PDFs. One of the most popular platforms to download free PDF files is Project Gutenberg. This online library offers over 60,000 free eBooks that are in the public domain. From classic literature to historical documents, Project Gutenberg provides a wide range of PDF files that can be downloaded and enjoyed on various devices. The website is user-friendly and allows users to search for specific titles or browse through different categories. Another reliable platform for downloading Dtc Obd2 Toyota Engine Code 97 free PDF files is Open Library. With its vast collection of over 1 million eBooks, Open Library has something for every reader. The website offers a seamless experience by providing options to borrow or download PDF files. Users simply need to create a free account to access this treasure trove of knowledge. Open Library also allows users to contribute by uploading and sharing their own PDF files, making it a collaborative platform for book enthusiasts. For those interested in academic resources, there are websites dedicated to providing free PDFs of research papers and scientific articles. One such website is Academia.edu, which allows researchers and scholars to share their work with a global audience. Users can download PDF files of research papers, theses, and dissertations covering a wide range of subjects. Academia.edu also provides a platform for discussions and networking within the academic community. When it comes to downloading Dtc Obd2 Toyota Engine Code 97 free PDF files of magazines, brochures, and catalogs, Issuu is a popular choice. This digital publishing platform hosts a vast collection of publications from around the world. Users can search for specific titles or explore various categories and genres. Issuu offers a seamless reading experience with its user-friendly interface and allows users to download PDF files for offline reading. Apart from dedicated platforms, search engines also play a crucial role in finding free PDF files. Google, for instance, has an advanced search feature that allows users to filter results by file type. By specifying the file type as "PDF," users can find websites that offer free PDF downloads on a specific topic. While downloading Dtc Obd2 Toyota Engine Code 97 free PDF files is

convenient, its important to note that copyright laws must be respected. Always ensure that the PDF files you download are legally available for free. Many authors and publishers voluntarily provide free PDF versions of their work, but its essential to be cautious and verify the authenticity of the source before downloading Dtc Obd2 Toyota Engine Code 97. In conclusion, the internet offers numerous platforms and websites that allow users to download free PDF files legally. Whether its classic literature, research papers, or magazines, there is something for everyone. The platforms mentioned in this article, such as Project Gutenberg, Open Library, Academia.edu, and Issuu, provide access to a vast collection of PDF files. However, users should always be cautious and verify the legality of the source before downloading Dtc Obd2 Toyota Engine Code 97 any PDF files. With these platforms, the world of PDF downloads is just a click away.

FAQs About Dtc Obd2 Toyota Engine Code 97 Books

How do I know which eBook platform is the best for me? Finding the best eBook platform depends on your reading preferences and device compatibility. Research different platforms, read user reviews, and explore their features before making a choice. Are free eBooks of good quality? Yes, many reputable platforms offer high-quality free eBooks, including classics and public domain works. However, make sure to verify the source to ensure the eBook credibility. Can I read eBooks without an eReader? Absolutely! Most eBook platforms offer web-based readers or mobile apps that allow you to read eBooks on your computer, tablet, or smartphone. How do I avoid digital eye strain while reading eBooks? To prevent digital eye strain, take regular breaks, adjust the font size and background color, and ensure proper lighting while reading eBooks. What the advantage of interactive eBooks? Interactive eBooks incorporate multimedia elements, quizzes, and activities, enhancing the reader engagement and providing a more immersive learning experience. Dtc Obd2 Toyota Engine Code 97 is one of the best book in our library for free trial. We provide copy of Dtc Obd2 Toyota Engine Code 97 in digital format, so the resources that you find are reliable. There are also many Ebooks of related with Dtc Obd2 Toyota Engine Code 97. Where to download Dtc Obd2 Toyota Engine Code 97 online for free? Are you looking for Dtc Obd2 Toyota Engine Code 97 PDF? This is definitely going to save you time and cash in something you should think about.

Find Dtc Obd2 Toyota Engine Code 97 :

[applied combinatorics by alan tucker](#)

[apple inc swot analysis strategic management insight](#)

[art history for dummies](#)

[artemis fowl the opal deception](#)

[api 571 code 2nd edition theplayore](#)

[arfken 7th edition solutions](#)

ap bio chapter 10 photosynthesis reading guide answers pdf

[aqa aqa anthology of poetry poems past and present](#)

arctic cat bearcat 660

aqa gcse history power and the people oiters

[apmp sample paper association for project management](#)

[aquaculture engineering and fisheries research](#)

[apple iphone 4s user manual download](#)

art and artist creative urge personality development otto rank

applied engineering physics pdf

Dtc Obd2 Toyota Engine Code 97 :

student answer key for fawcett s evergreen a guide to writing - Jan 24 2022

web student answer key for fawcett s evergreen a guide to writing with readings 9th susan fawcett wadsworth aug 23 2010

96 pages about the author 2010 susan

[answer key evergreen susan fawcett 10th edition](#) - Jun 28 2022

web answer key evergreen susan fawcett 10th edition author blogs post gazette com 2023 01 07t00 00 00 00 01 subject

answer key evergreen susan fawcett 10th edition keywords answer key evergreen susan fawcett

answer key evergreen susan fawcett 10th edition - Jul 10 2023

web key evergreen susan fawcett 10th edition answers key evergreen susan fawcett 10th edition answer key evergreen susan

fawcett 10th edition pdf answer key evergreen susan fawcett 10th edition get read amp download ebook answer key

evergreen susan answer key evergreen susan fawcett 10th edition fawcett

evergreen 10th edition practice answe ams istanbul edu - Jan 04 2023

web student answer key for evergreen susan fawcett evergreen 10th edition by susan fawcett pdf 258 student answer key for

evergreen a guide to writing with evergreen chapter 26 answer set tn evergreen 10th edition practice answe student answer

key for evergreen a book by susan fawcett evergreen 10th edition practice answe

answer key evergreen susan fawcett 10th edition - Oct 01 2022

web answer key evergreen susan fawcett 10th edition key evergreen susan fawcett 10th edition in any format for answer key

evergreen susan fawcett 10 answer key evergreen susan fawcett 10th edition pdf download evergreen 10th edition answer key pdf download answer key evergreen susan fawcett 10th edition answers

answer key evergreen susan fawcett 10th edition - Mar 06 2023

web jun 20 2023 questions and answer key evergreen susan fawcett 10th edition pdf free pdf download now source 2 answer key evergreen susan fawcett 10th edition pdf free pdf download answers key evergreen susan fawcett 10th edition pdf 75a2189912f5fa3128e2a80da8296c61 answers key evergreen susan fawcett 10th

read online answer key evergreen susan fawcett 10th edition - Apr 26 2022

web mar 27 2023 read online answer key evergreen susan fawcett 10th edition free download pdf evergreen studyguide for evergreen a guide to writing with readings by susan fawcett isbn

answer key evergreen susan fawcett 10th edition wiki lwn - May 08 2023

web answer key evergreen susan fawcett 10th edition the enigmatic realm of answer key evergreen susan fawcett 10th edition unleashing the language is inner magic in a fast paced digital era where connections and knowledge intertwine the enigmatic realm of language reveals its inherent magic its capacity to stir emotions ignite contemplation and

answer key evergreen susan fawcett 10th edition - Nov 02 2022

web jun 17 2023 this answer key evergreen susan fawcett 10th edition by online eventually you will absolutely reveal a complementary background and action by outlaying more currency

answer key evergreen susan fawcett 10th edition 2022 - May 28 2022

web for their favorite books later than this answer key evergreen susan fawcett 10th edition but end happening in harmful downloads rather than enjoying a fine ebook when a mug of coffee in the afternoon otherwise they juggled similar to some harmful virus inside their computer answer key evergreen susan fawcett 10th edition is open in our

answer key evergreen susan fawcett 10th edition 2023 - Sep 12 2023

web answer key evergreen susan fawcett 10th edition answer key evergreen susan fawcett 10th edition 1 downloaded from nysm pfi org on 2021 01 24 by guest answer key evergreen susan fawcett 10th edition thank you very much for downloading answer key evergreen susan fawcett 10th edition maybe you have knowledge that people

evergreen 10th edition answer key thor byteorbit com - Jul 30 2022

web er key evergreen susan fawcett 10th edition get read down load ebook answer key evergreen susan fawcett 10th edition as pdf for free at the biggest ebook library in the world get answer key evergreen susan fawcett 10th edition pdf file for free on our ebook library pdf file answer key evergreen susan fawcett 10th

answer key evergreen susan fawcett 10th edition full pdf ce - Apr 07 2023

web 4 answer key evergreen susan fawcett 10th edition 2023 06 08 state s cultural institutions we learn about the man

behind the legend and the people who helped him along the way love theodosia university of washington press newbery honor winning author gennifer choldenko deftly combines humor tragedy fascinating historical detail
evergreen 10th edition answer key beta wecounsel - Mar 26 2022

web p answer key evergreen susan fawcett 10answer key evergreen susan fawcett 10 pdf free download here unit 1 getting started stephencoleman an net answers key evergreen susan fawcett 10th edition evergreen a guide to writing with readings edition 9 by evergreen a guide to writing with readings edition evergreen 10th

answer key evergreen susan fawcett 10th edition - Feb 05 2023

web jun 19 2023 this answer key evergreen susan fawcett 10th edition as one of the majority running sellers here will entirely be joined by the best choices to review we remunerate for you this correct as masterfully as simple haughtiness to obtain those all

pdf answer key evergreen susan fawcett 10th edition - Aug 31 2022

web answer key evergreen susan fawcett 10th edition is available in our book collection an online access to it is set as public so you can get it instantly answer key evergreen susan fawcett 10th edition get pdf answer key evergreen susan fawcett 10th edition recognizing the quirk ways to get this book answer key evergreen susan fawcett 10th

answer key evergreen susan fawcett 10th edition - Jun 09 2023

web jun 20 2023 10th edition answer key evergreen susan fawcett 10th edition fawcett evergreen 9 e student answer key cengage answers key evergreen susan fawcett 10th edition bing answers key evergreen susan fawcett 10th edition answer key evergreen susan fawcett 10th edition gtclan de answer key

answers key evergreen susan fawcett 10th edition download - Feb 22 2022

web the enigmatic realm of answers key evergreen susan fawcett 10th edition unleashing the language is inner magic in a fast paced digital era where connections and knowledge intertwine the enigmatic realm of language reveals its inherent magic

answers key evergreen susan fawcett 10th edition copy - Dec 03 2022

web answers key evergreen susan fawcett 10th edition 3 3 bustling city streets susan can barely understand people their accents are so thick and of course eveyone in clayton is a st louis cardinals fan and sworn enemy of susan s beloved new york yankees worst of all for the first time in her life ten year old susan encounters prejudice

answer key evergreen susan fawcett 10th edition 2023 wiki lwn - Aug 11 2023

web answer key evergreen susan fawcett 10th edition embracing the song of expression an mental symphony within answer key evergreen susan fawcett 10th edition in a global taken by screens and the ceaseless chatter of fast interaction the melodic elegance and emotional symphony created by the written term frequently disappear in to the

ukg class teaching aids 2023 cyberlab sutd edu sg - Aug 07 2023

web ukg class teaching aids from text to lived resources aug 07 2022 what kinds of curriculum materials do mathematics teachers select and use and class outline mar 14 2023 teaching aids apr 15 2023 this document is a resource guide designed for teachers youth leaders and

ukg class teaching aids stage gapinc com - Oct 29 2022

web 2 ukg class teaching aids 2022 03 03 adkins christensen i am not intelligent harpercollins organised alphabetically by tests this guide provides access to information on over 400 laboratory tests and diagnostic procedures with additional information provided for each procedure and extensive nursing implications rationales this text serves as

teaching aids ppt slideshare - Apr 03 2023

web oct 1 2014 3 teaching aids teaching aids are the tools that teachers use them in the classroom such as flash cards maps cassette and blackboard a teaching aid is a tool used by teachers to help learners improve reading and other skills illustrate or reinforce a skill fact or idea and relieve anxiety fears or boredom since many teaching aids are

ready training ukg - Jul 06 2023

web learning center learning center is ukg ready s learning experience that guides your administrators and power users through prescribed personalized learning journeys it also houses various training resources including virtual instructor led classes interactive learning modules short videos printable pdf job aids and more

ukg class teaching aids portal sombridge edu so - Mar 22 2022

web ukg class teaching aids bellovacii et silvanectes les eveschés de beauvais et senlis comté et pairrie de beauvais les balliages de beauvais clermont et senlis on using teaching aids to make the teaching learning process more interactive the book is intended for the undergraduate students of education and can also

ukg class teaching aids cyberlab sutd edu sg - Aug 27 2022

web ukg class teaching aids visual informatics sustaining research and innovations aug 03 2020 the two volume set lncs 7066 and lncs 7067 constitutes the proceedings of the second international visual informatics conference ivic 2011 held in selangor malaysia during november 9 11 2011 the 71 revised papers presented

ukg class teaching aids uniport edu ng - Apr 22 2022

web sep 20 2023 ukg class teaching aids 3 4 downloaded from uniport edu ng on september 20 2023 by guest catalog and circular new york university school of education 1940 teaching aids in the secondary school carol gordon 1974 selected free materials for classromms teachers ruth h aubry edit aubrey ruth h 1965

ukg class teaching aids uniport edu ng - Feb 18 2022

web ukg class teaching aids 1 7 downloaded from uniport edu ng on may 3 2023 by guest ukg class teaching aids recognizing

the showing off ways to get this books ukg class teaching aids is additionally useful you have remained in right site to start getting this info get the ukg class teaching aids link that we manage to pay for here and check

ukg class ukg syllabus all subjects 2023 2024 youtube - Jun 05 2023

web mar 21 2022 ukg syllabus ukg class ukg syllabus all subjects 2023 2024 in this video you will see ukg syllabus that will help you to teach ukg class students you

ukg class teaching tips youtube - Feb 01 2023

web sep 16 2022 about press copyright contact us creators advertise developers terms privacy policy safety how youtube works test new features nfl sunday ticket press copyright

ukg class teaching aids amoa arthouse - Sep 27 2022

web ukg class teaching aids phonics for pupils with special educational needs book 1 building basics eager to learn scissors skills grades pk 1 the very hungry caterpillar bartholomew and the oobleck 100 words for kids to read in kindergarten ready steady and go ukg art craft the fundamentals of teaching communication and learning

ukg class teaching aids etherpad arts ac uk - Mar 02 2023

web 4 ukg class teaching aids 2021 09 01 the english language complete practice notes for icse class 9 10 by senior icse english teacher mrs madhuri shukla this english guide incorporates 100 practice sheets secret tips and tricks covering grammar essay writing letters emails notices

how to teach lkg and ukg students know these amazing - Sep 08 2023

web apr 10 2022 how to teach lkg and ukg students know these amazing tips by shweta singh teaching young kids are not as easy as you think if you want to teach your child at home or run your own home tuition classes you should have a unique approach to teaching lkg and ukg students

ukg class teaching aids pqr uiaf gov co - Nov 29 2022

web ukg class teaching aids yeah reviewing a ebook ukg class teaching aids could ensue your close links listings this is just one of the solutions for you to be sharpness of this ukg class teaching aids can be taken as capably as picked to act laboratory and diagnostic tests joyce lefever kee 2010 05 21

what are the subjects to be taught in ukg class urbanpro - Dec 31 2022

web feb 18 2016 kanika pruthi management trainer 19 02 2016 every subject is important in ukg every subject should be given equal importance like english mathematics drawing because ukg is just the starting of a child s career what he learns now will be reflected in his future 2

how to teach lkg ukg kids guide for teachers and parents youtube - Oct 09 2023

web sep 21 2021 how to teach lkg ukg kids guide for teachers and parents teaching kg students howtoteachkindergarten kg

joeysworldteacher gears i using light with tripod

ukg class teaching aids uniport edu ng - Jul 26 2022

web may 17 2023 ukg class teaching aids 2 7 downloaded from uniport edu ng on may 17 2023 by guest and confidence through class and group discussion each stage contains four core components learner s book activity book digital classroom and digital teacher s resource which are fully integrated and offer a complete solution to teaching cambridge

ukg class teaching aids pdf portal sombridge edu so - May 04 2023

web ukg class teaching aids the use of audio aids in the efl class at the tertiary level a plus or a minus sep 12 2022 research paper postgraduate from the year 2008 in the subject english language and literature studies linguistics grade none jahangirnagar university department of english course teaching

ukg class teaching aids uniport edu ng - May 24 2022

web oct 1 2023 ukg class teaching aids 3 6 downloaded from uniport edu ng on october 1 2023 by guest social studies for young children gayle mindes 2021 08 30 this completely revised early childhood curriculum resource emphasizing social studies as an anchor for teaching an integrated curriculum of math science literacy art and social emotional

ukg class teaching aids liululu - Jun 24 2022

web title ukg class teaching aids liululu net author franz rosenbaum liululu net subject ukg class teaching aids liululu net keywords syllabus calcutta public school abbreviations list by fakewebpapers com dps hyderabad admission 2018 19 procedure fees structure education in india wikipedia d a v public school velachery sitaram

365 ansichten starker frauen pdf 2023 blog watchshopping - Nov 24 2021

web find helpful customer reviews and review ratings for 365 ansichten starker frauen at amazon com read honest and unbiased product reviews from our users

365 ansichten starker frauen weltbild - Sep 22 2021

365 ansichten starker frauen 9783629114501 amazon com - Apr 10 2023

web 365 ansichten starker frauen aufstellbuch jetzt online bestellen thalia at zum finden erfunden

365 ansichten starker frauen immerwährende - Mar 09 2023

web 365 starke worte von tollen frauen mit vielen denkanstößen und stimmungsvollen fotografien immerwährender kalender zur langjährigen mehrfachen nutzung ein

365 ansichten starker frauen amazon de - May 31 2022

web 365 ansichten starker frauen finden sie alle bücher von unknown bei der büchersuchmaschine eurobuch com können sie antiquarische und neubücher

365 ansichten starker frauen amazon de - Jul 01 2022

web 365 ansichten starker frauen

365ansichtenstarkerfrauen full pdf - Mar 29 2022

web neuesten ansichten und erfahrungen zum unterricht für praktische aerzte friedrich ludwig meissner 1845 deutsches sprichwörter lexikon wander 1867 365 ansichten

365 ansichten starker frauen aufstellbuch amazon de - Jul 13 2023

web die 365 ansichten starker frauen sind ein wirklich wunderbares geschenk im vorliegendne fälle für eine sehr geschätzte befreundete kollegin der kalender realisiert

9783629114501 365 ansichten starker frauen aufstellbuch - Jan 07 2023

web bücher online shop 365 ansichten starker frauen hier bei weltbild bestellen und bequem per rechnung zahlen weitere bücher finden sie auf weltbild ch

365 ansichten starker frauen amazon com tr kitap - Aug 14 2023

web arama yapmak istediğiniz kategoriye seçin

365 ansichten starker frauen 2023 - Feb 25 2022

web ist nicht leer lise meitner von starken frauen für starke frauen in diesem buch warten 365 zitate von starken frauen auf dich die dir neuen mut geben und dich zum

365 ansichten starker frauen weltbild - May 11 2023

web feb 1 2018 365 ansichten starker frauen on amazon com free shipping on qualifying offers 365 ansichten starker frauen

365 ansichten starker frauen von unbekannt medimops - Dec 26 2021

web 365 ansichten starker frauen pdf introduction 365 ansichten starker frauen pdf 2023 title 365 ansichten starker frauen pdf 2023 blog watchshopping com

amazon com customer reviews 365 ansichten starker frauen - Oct 24 2021

web 365 ansichten starker frauen jetzt im weltbild bücher shop bequem online bestellen gleich reinklicken und viele tolle bücher highlights entdecken versandkostenfrei

9783629108913 365 ansichten starker frauen unknown - Apr 29 2022

web 365 ansichten starker frauen 2018 neue jahrbücher für philologie und paedagogik 1871 dreihundertfünfundsechzig ansichten starker frauen annett katrin graf 2013

365 ansichten starker frauen kaufen tausendkind de - Oct 04 2022

web entdecken sie 365 ansichten starker frauen 2018 taschenbuch in der großen auswahl bei ebay kostenlose lieferung für viele artikel

365 ansichten starker frauen amazon de bücher - Jun 12 2023

web sinnlich ästhetisch zeitgemäß so werden in diesem aufstell kalender insgesamt 365 stimmen starker frauen portraitiert die besonders mutig unabhängig selbstbewusst

365 ansichten starker frauen von pattloch geschenkbuch - Aug 02 2022

web wählen sie ihre cookie einstellungen wir verwenden cookies und ähnliche tools die erforderlich sind um ihnen einkäufe zu ermöglichen ihr einkaufserlebnis zu verbessern

365ansichtenstarkerfrauen 2022 captiveportal storyhouse - Jan 27 2022

web 365 ansichten starker frauen von unbekannt kalender bei medimops de bestellen bis zu 70 günstiger als neuware top qualität gratis versand ab 19

365 ansichten starker frauen weltbild - Dec 06 2022

web select the department you want to search in

365 ansichten starker frauen amazon de books - Nov 05 2022

web 365 ansichten starker frauen schnelle lieferung kompetenter service jetzt online bei tausendkind bestellen

365 ansichten starker frauen portofrei bei bücher de bestellen - Feb 08 2023

web 365 ansichten starker frauen aufstellbuch finden sie alle bücher von bei der büchersuchmaschine eurobuch com können sie antiquarische und neubücher

365 ansichten starker frauen 2018 taschenbuch ebay - Sep 03 2022

web aug 23 2023 365 ansichten starker frauen von pattloch geschenkbuch 365 starke worte von tollen frauen mit vielen dankstößen und stimmungsvollen fotografien