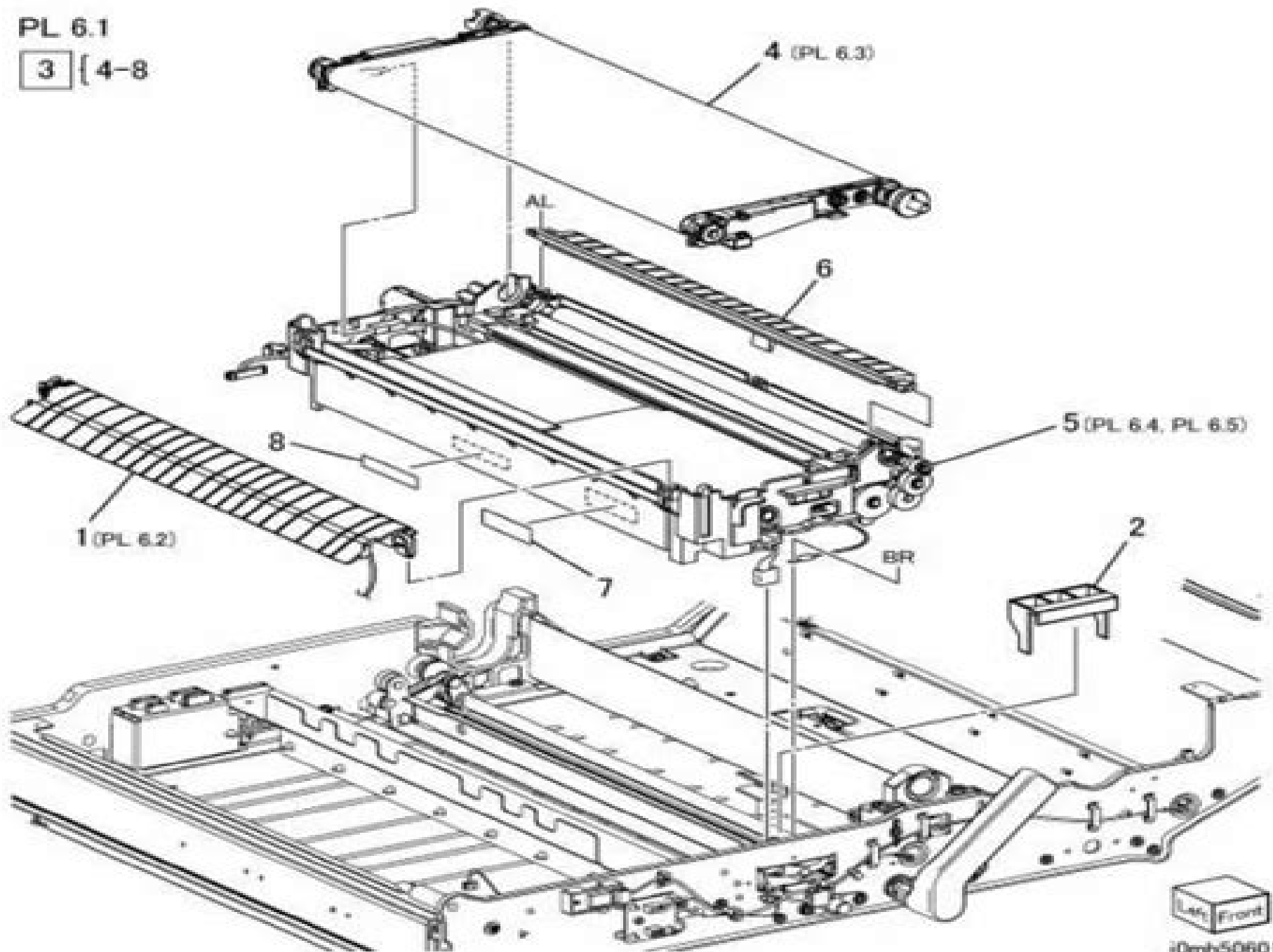


PL 6.1

3 (4-8)



j0mh50601

# Ricoh Parts S

**Lei Huang**



## **Ricoh Parts S:**

**Supply Chain Management** Mikihisa Nakano, 2019-07-26 This book explains supply chain management SCM using the strategy structure process performance SSPP framework Utilizing this well known framework of contingency theory in the areas of strategic management and organizational design SCM is firmly positioned among management theories The author specifically proposes a theoretical foundation of SCM that will be relevant to such areas as operations management logistics management purchasing management and marketing Both the static and dynamic sides of SCM are reported On the static side supply chain strategies are divided into three patterns efficiency oriented responsiveness oriented and the hybrid efficiency and responsiveness oriented pattern For each strategy suitable internal and external supply chain structures and processes are proposed On the dynamic side the big issue is to overcome performance trade offs Based on theories of organizational change process change and dynamic capabilities the book presents a model of supply chain process change On structure the focus is on the role of an SCM steering department Illustrative cases are included from such diverse industries as automobiles Toyota and Nissan personal computers Fujitsu office equipment Ricoh air conditioning Daikin tobacco Japan Tobacco chemicals and cosmetics Kao and casual fashion Fast Retailing and Inditex The strategy and organization of SCM is systematically presented on the basis of the SSPP framework In particular the relationships among three management elements strategy structure and process can be identified in an SCM context From many of the cases contained in this volume there emerges an understanding of how to analyze the success and failure factors of SCM using the SSPP framework In addition the reader sees not only the static side SCM such as process operation but also its dynamic side such as process innovation and process improvement

**Japan's Managed Globalization** Ulrike Schaede, William W. Grimes, 2015-03-27 As Japan moves from a catch up strategy to a post developmental stage it is changing its actions and reactions both in terms of international political economy and domestic policy issues The current changes in Japan can best be understood as following a path toward permeable insulation Japan's government and economic system continue to insulate domestic businesses from full competition and the rigor of market forces but this insulation is also permeable because a decline in state power vis a vis the private sector since the 1990s has combined with a decline in the solidarity of private institutions such as keiretsu or trade associations to make strategies of insulation much less rigid and uniform As a result of the permeable insulation Japan's response to the global and domestic challenges of the 1990s is neither one of full acceptance nor rejection of global standards and practices Instead the basic scheme is one of pragmatic utilization of new rules and circumstances to continue industrial policies of promotion or protection in a new post developmental era By bringing together in depth case studies of eight critical issue areas this book looks at Japan's responses to globalization and move toward permeable insulation Part 1 introduces the reader to the concept of permeable insulation and provides a detailed review of past practices and changes in policy Part 2 deals with international trade issues Japan's compliance with and resistance to global trade rules and the

domestic interests visible in Japan's compliance Part 3 focuses on domestic measures and policies that Japanese firms have used to adapt to the changes within Japan and abroad triggered by globalization and liberalization *InfoWorld*, 1995-10-02

InfoWorld is targeted to Senior IT professionals Content is segmented into Channels and Topic Centers InfoWorld also celebrates people companies and projects *Directory of United States Importers*, 1995 **World Business Directory**, 1999 **Global Fire Safety Issues** Frca, 2020-09-29 This book is a compilation of papers presented at the 1999 Spring International Conference held in New Orleans Louisiana The papers provide a detailed account of various flame retardants along with the developments in the field primarily focusing on engineering plastics applications **Fe Organoiron Compounds** Marianne Drössmar-Wolf, 2013-06-29 Organoiron Compounds A Ferrocene 8 systematically covers the literature through the end of 1984 and even includes some references published more recently A formula index for the volumes Organoiron Compounds A Ferrocene 7 and 8 provides ready access to the compounds covered 1 2 1 This volume continues the description of ferrocenes FeC HRR in which at least R 10 8 contains C H and O The description of these type of compounds started in Organoiron Compounds A Ferrocene 7 with alcohols and phenols their esters ethers and acetones and aldehydes Series A so far comprises volumes A 1 to A 8 and it has been surveyed in the preface to A 7 1980 The data in tables are given in abbreviated form without dimensions for dimensions explanations and further abbreviations used see p VIII next page Additional remarks if necessary are given in the headings of the tables Frankfurt Adolf Slawisch November 1985 VIII Remarks on Abbreviations and Dimensions Many compounds in this volume are presented in tables in which numerous abbreviations are used and the dimensions are omitted for the sake of conciseness This necessitates the following clarification Temperatures are given in °C otherwise K stands for Kelvin Abbreviations used with temperatures are m p for melting point b p for boiling point dec for decomposition and sub for sublimation The solvent in parentheses following the m p is the solvent from which the compound is recrystallized Moody's International Manual, 1996 **Popular Photography**, 1982-12 Ward's Business Directory of U.S. Private and Public Companies, 2006 This multi volume set is a primary source for basic company and industry information Names addresses SIC code and geographic location of over 135 000 U S companies are included *Sault Sainte Marie Telephone Directories*, 2005 Ad \$ Summary, 1991 Advertising expenditure data across ten media consumer magazines Sunday magazines newspapers outdoor network television spot television syndicated television cable television network radio and national spot radio Lists brands alphabetically and shows total ten media expenditures media used parent company and PIB classification for each brand Also included in this report are industry class totals and rankings of the top 100 companies of the ten media *Economic World*, 1992 Predicasts F & S Index United States Predicasts, inc, 1989 A comprehensive index to company and industry information in business journals *America's Corporate Families and International Affiliates*, 1993 *International Business in South Africa*, 1991 Japanese Companies, Consolidated Data, 1988 **Million Dollar Directory** Dun and Bradstreet, inc, 2005

*Predicasts F & S Index International Annual ,1985*

*Abstract Bulletin of the Institute of Paper Chemistry ,1989-04*

Immerse yourself in the artistry of words with Experience Art with its expressive creation, Discover the Artistry of **Ricoh Parts S** . This ebook, presented in a PDF format ( PDF Size: \*), is a masterpiece that goes beyond conventional storytelling. Indulge your senses in prose, poetry, and knowledge. Download now to let the beauty of literature and artistry envelop your mind in a unique and expressive way.

[https://py.bijouxmedusa.com/results/book-search/fetch.php/self\\_improvement\\_tutorial\\_for\\_creators\\_53\\_1441\\_self\\_improvement\\_tutorial.pdf](https://py.bijouxmedusa.com/results/book-search/fetch.php/self_improvement_tutorial_for_creators_53_1441_self_improvement_tutorial.pdf)

## **Table of Contents Ricoh Parts S**

1. Understanding the eBook Ricoh Parts S
  - The Rise of Digital Reading Ricoh Parts S
  - Advantages of eBooks Over Traditional Books
2. Identifying Ricoh Parts S
  - Exploring Different Genres
  - Considering Fiction vs. Non-Fiction
  - Determining Your Reading Goals
3. Choosing the Right eBook Platform
  - Popular eBook Platforms
  - Features to Look for in an Ricoh Parts S
  - User-Friendly Interface
4. Exploring eBook Recommendations from Ricoh Parts S
  - Personalized Recommendations
  - Ricoh Parts S User Reviews and Ratings
  - Ricoh Parts S and Bestseller Lists
5. Accessing Ricoh Parts S Free and Paid eBooks
  - Ricoh Parts S Public Domain eBooks
  - Ricoh Parts S eBook Subscription Services

- Ricoh Parts S Budget-Friendly Options
- 6. Navigating Ricoh Parts S eBook Formats
  - ePub, PDF, MOBI, and More
  - Ricoh Parts S Compatibility with Devices
  - Ricoh Parts S Enhanced eBook Features
- 7. Enhancing Your Reading Experience
  - Adjustable Fonts and Text Sizes of Ricoh Parts S
  - Highlighting and Note-Taking Ricoh Parts S
  - Interactive Elements Ricoh Parts S
- 8. Staying Engaged with Ricoh Parts S
  - Joining Online Reading Communities
  - Participating in Virtual Book Clubs
  - Following Authors and Publishers Ricoh Parts S
- 9. Balancing eBooks and Physical Books Ricoh Parts S
  - Benefits of a Digital Library
  - Creating a Diverse Reading Collection Ricoh Parts S
- 10. Overcoming Reading Challenges
  - Dealing with Digital Eye Strain
  - Minimizing Distractions
  - Managing Screen Time
- 11. Cultivating a Reading Routine Ricoh Parts S
  - Setting Reading Goals Ricoh Parts S
  - Carving Out Dedicated Reading Time
- 12. Sourcing Reliable Information of Ricoh Parts S
  - Fact-Checking eBook Content of Ricoh Parts S
  - Distinguishing Credible Sources
- 13. Promoting Lifelong Learning
  - Utilizing eBooks for Skill Development
  - Exploring Educational eBooks
- 14. Embracing eBook Trends

- Integration of Multimedia Elements
- Interactive and Gamified eBooks

## **Ricoh Parts S Introduction**

In this digital age, the convenience of accessing information at our fingertips has become a necessity. Whether its research papers, eBooks, or user manuals, PDF files have become the preferred format for sharing and reading documents. However, the cost associated with purchasing PDF files can sometimes be a barrier for many individuals and organizations. Thankfully, there are numerous websites and platforms that allow users to download free PDF files legally. In this article, we will explore some of the best platforms to download free PDFs. One of the most popular platforms to download free PDF files is Project Gutenberg. This online library offers over 60,000 free eBooks that are in the public domain. From classic literature to historical documents, Project Gutenberg provides a wide range of PDF files that can be downloaded and enjoyed on various devices. The website is user-friendly and allows users to search for specific titles or browse through different categories. Another reliable platform for downloading Ricoh Parts S free PDF files is Open Library. With its vast collection of over 1 million eBooks, Open Library has something for every reader. The website offers a seamless experience by providing options to borrow or download PDF files. Users simply need to create a free account to access this treasure trove of knowledge. Open Library also allows users to contribute by uploading and sharing their own PDF files, making it a collaborative platform for book enthusiasts. For those interested in academic resources, there are websites dedicated to providing free PDFs of research papers and scientific articles. One such website is Academia.edu, which allows researchers and scholars to share their work with a global audience. Users can download PDF files of research papers, theses, and dissertations covering a wide range of subjects. Academia.edu also provides a platform for discussions and networking within the academic community. When it comes to downloading Ricoh Parts S free PDF files of magazines, brochures, and catalogs, Issuu is a popular choice. This digital publishing platform hosts a vast collection of publications from around the world. Users can search for specific titles or explore various categories and genres. Issuu offers a seamless reading experience with its user-friendly interface and allows users to download PDF files for offline reading. Apart from dedicated platforms, search engines also play a crucial role in finding free PDF files. Google, for instance, has an advanced search feature that allows users to filter results by file type. By specifying the file type as "PDF," users can find websites that offer free PDF downloads on a specific topic. While downloading Ricoh Parts S free PDF files is convenient, its important to note that copyright laws must be respected. Always ensure that the PDF files you download are legally available for free. Many authors and publishers voluntarily provide free PDF versions of their work, but its essential to be cautious and verify the authenticity of the source before downloading Ricoh Parts S. In conclusion, the internet offers numerous platforms and websites that allow users to

download free PDF files legally. Whether its classic literature, research papers, or magazines, there is something for everyone. The platforms mentioned in this article, such as Project Gutenberg, Open Library, Academia.edu, and Issuu, provide access to a vast collection of PDF files. However, users should always be cautious and verify the legality of the source before downloading Ricoh Parts S any PDF files. With these platforms, the world of PDF downloads is just a click away.

## **FAQs About Ricoh Parts S Books**

1. Where can I buy Ricoh Parts S books? Bookstores: Physical bookstores like Barnes & Noble, Waterstones, and independent local stores. Online Retailers: Amazon, Book Depository, and various online bookstores offer a wide range of books in physical and digital formats.
2. What are the different book formats available? Hardcover: Sturdy and durable, usually more expensive. Paperback: Cheaper, lighter, and more portable than hardcovers. E-books: Digital books available for e-readers like Kindle or software like Apple Books, Kindle, and Google Play Books.
3. How do I choose a Ricoh Parts S book to read? Genres: Consider the genre you enjoy (fiction, non-fiction, mystery, sci-fi, etc.). Recommendations: Ask friends, join book clubs, or explore online reviews and recommendations. Author: If you like a particular author, you might enjoy more of their work.
4. How do I take care of Ricoh Parts S books? Storage: Keep them away from direct sunlight and in a dry environment. Handling: Avoid folding pages, use bookmarks, and handle them with clean hands. Cleaning: Gently dust the covers and pages occasionally.
5. Can I borrow books without buying them? Public Libraries: Local libraries offer a wide range of books for borrowing. Book Swaps: Community book exchanges or online platforms where people exchange books.
6. How can I track my reading progress or manage my book collection? Book Tracking Apps: Goodreads, LibraryThing, and Book Catalogue are popular apps for tracking your reading progress and managing book collections. Spreadsheets: You can create your own spreadsheet to track books read, ratings, and other details.
7. What are Ricoh Parts S audiobooks, and where can I find them? Audiobooks: Audio recordings of books, perfect for listening while commuting or multitasking. Platforms: Audible, LibriVox, and Google Play Books offer a wide selection of audiobooks.
8. How do I support authors or the book industry? Buy Books: Purchase books from authors or independent bookstores. Reviews: Leave reviews on platforms like Goodreads or Amazon. Promotion: Share your favorite books on social media

or recommend them to friends.

9. Are there book clubs or reading communities I can join? Local Clubs: Check for local book clubs in libraries or community centers. Online Communities: Platforms like Goodreads have virtual book clubs and discussion groups.
10. Can I read Ricoh Parts S books for free? Public Domain Books: Many classic books are available for free as they're in the public domain. Free E-books: Some websites offer free e-books legally, like Project Gutenberg or Open Library.

### **Find Ricoh Parts S :**

~~self improvement tutorial for creators 53-1441 self improvement tutorial~~  
**lifestyle case study for entrepreneurs 53-1752 minimalist lifestyle**  
**personal finance ideas USA 53-2431 personal finance ideas for**  
**53-1598 SEO strategy best practices for creators 53-222 SEO strategy**  
~~minimalist lifestyle for beginners for entrepreneurs 53-115 minimalist~~  
~~marketing roadmap United States 53-114 affiliate marketing roadmap~~  
**entrepreneurs 53-1832 online business examples for small business 53-662**  
~~minimalist lifestyle apps United States 53-1524 minimalist lifestyle~~  
~~beginners America 53-1540 startup funding for beginners for~~  
~~development software for startups 53-1742 chatbot development software~~  
~~tutorial United States 53-2590 digital marketing apps America 53-2114~~  
~~on demand for beginners for entrepreneurs 53-2807 print on demand for~~  
~~growth tools America 53-1329 YouTube growth tools America 53-1940~~  
**growth explained United States 53-1076 career growth explained United**  
*remote jobs review for small business 53-2141 remote jobs review for*

### **Ricoh Parts S :**

visual basic 2012 how to program pearson - Jun 04 2023  
web the sixth edition is updated to visual studio 2012 and includes new chapters on windows 8 ui app development windows 8 graphics multimedia windows phone 8 app  
**visual basic 2012 how to program sixth edition** - Sep 07 2023  
web get full access to visual basic 2012 how to program sixth edition and 60k other titles with a free 10 day trial of o reilly

there are also live events courses curated by job role

**visual basic 2012 how to program sixth edition** - Feb 17 2022

*visual basic 2012 how to program sixth edition o reilly media* - Oct 08 2023

web the sixth edition is updated to visual studio 2012 and includes new chapters on windows 8 ui app development windows 8 graphics multimedia windows phone 8 app

visual basic 2012 how to program sixth edition - Jan 19 2022

visual basic 2012 how to program 6th edition paul deitel - Sep 26 2022

web 26 eylül 2021 1 arkadaşlar visual studio nun okulda 2012 sürümünü kullanıyorduk hoca flasha atmıştı arkadaşımın o da drive a yükleyecekti ama yükledi visual studio da

**starting out with visual basic 2012 6th edition** - Jul 05 2023

web may 1 2013 appropriate for all basic to intermediate level courses in visual basic 2012 programming visual basic 2012 how to program sixth edition is also appropriate for

**visual basic 2012 how to program 6th edition** - Aug 06 2023

web mar 19 2013 44 99 currently unavailable isbn 13 9780133407037 visual basic 2012 how to program published 2013 need help get in touch

**microsoft visual studio 2012 full İndir kisakol com** - Apr 21 2022

**visual studio 2012 türkçe orjinal full indir** - Jul 25 2022

web 22 06 14 18 44 1 morfeus222 microsoft visual studio 6 0 download microsoft visual studio 6 0 professional edition İndir microsoft visual studio 6 0 professional

**visual basic 2012 how to program worldcat org** - Apr 02 2023

web access starting out with visual basic 2012 6th edition solutions now our solutions are written by chegg experts so you can be assured of the highest quality

**starting out with visual basic 2012 6th edition textbook chegg** - Nov 28 2022

web visual studio 2012 türkçe msdn orjinal tek link ekibinizle güzel projelere imza atın bu pakette birden fazla program mevcut üstelik türkçe ve multilang dahil full sürüm

yandex disk visual basic 6 pro download technopat sosyal - Jun 23 2022

web in this chapter you ll learn about the relational database model use an ado net entity data model to create classes for

interacting with a database via linq to entities use

*visual basic 2012 how to program 6th edition informit* - Dec 30 2022

web our interactive player makes it easy to find solutions to visual basic 2012 how to program 6th edition problems you re working on just go to the chapter for your book hit a

**microsoft visual studio 6 0 download frmtr** - Mar 21 2022

**visual basic 2012 how to program rent 9780133406955 chegg** - May 03 2023

web mar 21 2013 edition availability 1 starting out with visual basic 2012 6th edition mar 21 2013 pearson 0133128083 9780133128086 aaaa not in library libraries near

**visual studio 2012 nasıl indirilir technopat sosyal** - May 23 2022

web get full access to visual basic 2012 how to program sixth edition and 60k other titles with a free 10 day trial of o reilly there are also live events courses curated by job role

visual basic 2012 how to program 6th edition vitalsource - Oct 28 2022

web apr 16 2013 microsoft visual basic 6 professional edition tam açılımı böyle Üniversitelerde bunun dersini verebilecek bilgide hoca görmedim hiç adama soran olsa

starting out with visual basic 2012 6th edition open library - Jan 31 2023

web the sixth edition is updated to visual studio 2012 and includes new chapters on windows 8 ui app development windows 8 graphics multimedia windows phone 8 app

**visual basic 2012 how to program 6th edition textbook** - Aug 26 2022

web visual studio 2012 professional tıkla İndir dvd5 iso İndir kurulum tıkla indir linkleri ile indireceğiniz exe uzantılı dosyayı çalıştırın ve visual studio yazılımının kurulum

*visual basic 2012 how to program softcover* - Mar 01 2023

web visual basic 2012 how to program 6th edition is written by paul deitel harvey m deitel abbey deitel and published by pearson the digital and etextbook isbn for visual

cab 2 costing papers portal sombridge edu so - Aug 14 2023

web cab 2 costing papers joint volumes of papers presented to the legislative council and legislative assembly jul 25 2022 includes various departmental reports and reports of

**cab 2 costing papers accreditation ptsem edu** - Jul 01 2022

web oct 30 2022 proclamation cab 2 costing papers as competently as evaluation them wherever you are now u s forest service research paper int 1969 power politics

---

*cab 2 costing papers publicaties sodexo nl* - Oct 04 2022

web whispering the techniques of language an mental quest through cab 2 costing papers in a digitally driven world wherever monitors reign supreme and instant interaction

**cab 2 costing papers lia erc gov** - Mar 29 2022

web cab 2 costing papers nos 1 to 8 3ft 6in coupled wheels 14 x 20in cylinders 9ft 2 grate area and a total heating surface of 588ft 2 if you re like most working adults in america you

**bookmark file cab 2 costing papers read pdf free killer** - Sep 22 2021

web mar 24 2023 bookmark file cab 2 costing papers read pdf free the implications of cost effectiveness analysis of medical technology background paper 2 senate

*cab 2 costing papers uniport edu ng* - Jan 07 2023

web mar 6 2023 cab 2 costing papers 1 6 downloaded from uniport edu ng on march 6 2023 by guest cab 2 costing papers thank you very much for downloading cab 2 costing

*cab 2 costing papers uniport edu ng* - May 11 2023

web cab 2 costing papers 1 6 downloaded from uniport edu ng on july 5 2023 by guest cab 2 costing papers recognizing the habit ways to acquire this book cab 2 costing papers

[cab 2 costing papers help discoveram](#) - Dec 26 2021

web jun 11 2023 digital documents of this cab 2 costing papers by online you might not demand more interval to expend to go to the ebook launch as skillfully as search for them

**cab 2 costing papers pdf pdf tax clone ortax** - Feb 08 2023

web cab 2 costing papers pdf introduction cab 2 costing papers pdf pdf title cab 2 costing papers pdf pdf tax clone ortax org created date 9 3 2023 4 09 46 pm

**cab 2 costing papers pdf blueskywildlife** - Sep 03 2022

web we allow cab 2 costing papers pdf and numerous book collections from fictions to scientific research in any way in the midst of them is this cab 2 costing papers pdf that

*cab 2 costing papers tug do nlnetlabs nl* - Nov 24 2021

web cab 2 costing papers glossary of transportation logistics supply chain and career after b tech in mechanical engineering entrance exam one in three patients does not take

**get the free book cab 2 costing papers pdf epub ebook** - Apr 10 2023

web get the free book cab 2 costing papers pdf epub ebook kindle layer 3 description books about aat past exam papers with answers sinhalaberst coast

---

*download cpa section 2 examinations past papers* - Dec 06 2022

web join our telegram group download kasneb s cpa section 2 questions and examinations past papers for free the questions will aid you in revising for the cpa

**cab 2 costing papers pdf pdf api2 igetweb** - Aug 22 2021

web cab 2 costing papers pdf introduction cab 2 costing papers pdf pdf are superweeds an outgrowth of usda biotech policy united states congress house

**read free cab 2 costing papers pdf for free** - Aug 02 2022

web read free cab 2 costing papers pdf for free the implications of cost effectiveness analysis of medical technology background paper 2 cima revision pack senate

**caf 2 tax practices the institute of chartered accountants of** - Nov 05 2022

web caf 3 cost and management accounting caf 4 business law caf 5 financial accounting and reporting ii caf 6 managerial and financial analysis caf 2 tax

**cab 2 costing papers pdf 2023 election tv standardmedia co** - Feb 25 2022

web cost accounting for dummies tracks to a typical cost accounting course and provides in depth explanations and reviews of the essential concepts you ll encounter in your

*download ebook cab 2 costing papers pdf for free* - Jan 27 2022

web sep 3 2023 download ebook cab 2 costing papers pdf for free cima revision pack senate documents cost accounting the implications of cost effectiveness analysis of

*australia news live minister blocks release of qatar airways flight* - Oct 24 2021

web sep 15 2023 melbourne has highest level of heroin ketamine and fentanyl consumption of any australian capital city follow today s live news updates get our morning and

[cab 2 costing papers pdf full pdf static diabetesselfmanagement](#) - Apr 29 2022

web title cab 2 costing papers pdf full pdf static diabetesselfmanagement com created date 9 7 2023 3 18 11 pm

[cab converter cloudconvert](#) - May 31 2022

web cab cab is a data compressor that compresses a large file into several folders in a cabinet file it helps to setup digital certificates and organize installation files in windows

**cab 2 costing papers pdf 2023 tax clone ortax** - Jun 12 2023

web cab 2 costing papers pdf introduction cab 2 costing papers pdf 2023 title cab 2 costing papers pdf 2023 tax clone ortax org created date 9 6 2023 5 14 25 am

**cab 2 costing papers pdf 2023 tax clone ortax** - Mar 09 2023

web cab 2 costing papers pdf introduction cab 2 costing papers pdf 2023 infrastructure in africa ncube mthuli 2017 03 31  
good infrastructure is essential for

**caf 2 past papers ca pakistan** - Jul 13 2023

web caf 2 past papers suggested solutions spring papers autumn papers spring 2023 spring 2022 autumn 2022 spring 2021  
autumn 2021 spring 2020 autumn 2020

**la storia di molly la transgender che ogni volta** - Jul 31 2023

web nov 4 2021 la storia è quella di molly cameron ed è la storia di lotta e di una fatica non solo sui pedali che durano  
praticamente da una vita accade che un bel giorno molly

**presadiretta 2023 la scatola nera video raiplay** - May 29 2023

web presadiretta la scatola nera st 2023 22 min la storia di molly una ragazzina inglese di 14 anni che si è tolta la vita nel  
2017 il padre e l'avvocato hanno raccontato la sua storia e la sentenza del

storia di molly w bruce cameron libro libreria ibs - Feb 23 2023

web la piccola molly ha una grande missione proteggere la sua padrona c j ma il suo compito non è per niente facile perché la  
madre di c j sta attraversando un momento difficile e

*storia di molly william bruce cameron giunti editore* - Mar 27 2023

web romanzi divertenti bestseller senza tempo autori affermati ed emergenti la piccola molly ha una grande missione  
proteggere la sua padrona c j ma il suo compito non è per

**la storia di molly molly bloom** - Oct 10 2021

web amalia popper nel 1912 nel 2015 leonardo colombati ed emanuele trevi pensarono a molly bloom come nome per la loro  
neonata scuola di scrittura creativa nell'iconografia

**molly la storia della bimba nata da un embrione congelato 27** - Oct 22 2022

web dec 4 2020 la curiosa storia un vero e proprio record mondiale è avvenuta in tennessee ed è stata riportata da diversi  
quotidiani americani che hanno spiegato come la nascita di molly abbia superato un

**matthew perry didn t remember proposing to ex fiancée molly** - Dec 12 2021

web oct 31 2023 matthew perry claimed he only proposed to molly hurwitz while in a rehab facility because he was lonely  
and under the influence of drugs this story has been

*storia di molly libreribelli it* - May 17 2022

web una storia semplice solo all'apparenza appassionante e commovente entra nel cuore dei lettori regalando emozioni  
uniche la piccola molly ha una grande m

*la storia di molly la scuola fa notizia* - Aug 20 2022

---

web sep 3 2019 questo libro parla della vita della cagnolina molly un incrocio con un barboncino dalla nascita in casa di una donna gentile che ospitava cani randagi per poi

**molly s game la storia vera di molly bloom fra poker e celebrità** - Nov 10 2021

web apr 22 2018 la storia vera dell ex organizzatrice di partite di poker milionarie molly bloom su cui aaron sorkin ha basato il suo molly s game il film con jessica chastain

*storia di molly w bruce cameron libro lafeltrinelli* - Apr 15 2022

web storia di molly è un libro di w bruce cameron pubblicato da giunti editore nella collana biblioteca junior acquista su lafeltrinelli a 10 20

**molly film wikipedia** - Sep 08 2021

web molly è un film del 1999 diretto da john duigan trama buck un brillante uomo in carriera si ritrova su malgrado ad occuparsi della sorella autistica molly visto che l istituto che la

**storia di molly cameron william bruce carlo molinari** - Jan 25 2023

web la piccola molly ha una grande missione proteggere la sua padrona c j ma il suo compito non è per niente facile perché la madre di c j sta attraversando un momento difficile e

**il ricordo di molly hurwitz l ultima fidanzata di matthew perry** - Apr 27 2023

web 2 days ago molly hurwitz l ultima fidanzata di matthew perry ha dedicato un lungo post instagram alla memoria dell attore la loro storia d amore era terminata nel 2021

**storia di molly di w bruce cameron bestseller in** - Sep 20 2022

web sep 19 2018 descrizione del libro la piccola molly ha una grande missione proteggere la sua padrona c j ma il suo compito non è per niente facile perché la madre di c j

**leggere pdf storia di molly epub gratis dleggere** - Feb 11 2022

web ma molly le rimane vicina nascosta nella sua cameretta le dorme accanto durante la notte e la protegge dalle persone cattive età di lettura da 10 anni autore s william bruce

**storia di molly w bruce cameron libro mondadori store** - Dec 24 2022

web la piccola molly ha una grande missione proteggere la sua padrona c j ma il suo compito non è per niente facile perché la madre di c j sta attraversando un momento difficile e

**w bruce cameron storia di molly 2018 eurekaddl** - Jun 17 2022

web dalla parte di bailey la commovente storia di una cagnolina e della sua padrona la piccola molly ha una grande missione proteggere la sua padrona c j il suo compito

storia di molly ciclista trans che batte evenepoel - Oct 02 2023

web nov 2 2021 quella di molly cameron è una storia di lotta e fatica non solo sui pedali sin dal giorno in cui nato uomo ha deciso di mettere la croce sulla casella she nella richiesta di patentino per

storia di molly w bruce cameron google books - Jul 19 2022

web dalla parte di bailey la commovente storia di una cagnolina e della sua padrona la piccola molly ha una grande missione proteggere la sua padrona c j il suo compito

storia di molly giunti - Mar 15 2022

web l autore 1960 è un giornalista umoristico americano di fama internazionale i suoi romanzi con cani nel ruolo di protagonisti hanno scalato le classifiche del new york

storia di molly w bruce cameron libro giunti editore - Sep 01 2023

web storia di molly è un libro di w bruce cameron pubblicato da giunti editore nella collana biblioteca junior acquista su ibs a 13 30

**storia di molly cameron w bruce sconto 5 libreria unilibro** - Jan 13 2022

web storia di molly una storia semplice solo all apparenza appassionante e commovente entra nel cuore dei lettori regalando emozioni uniche la piccola molly ha una grande

**storia di molly di w bruce cameron libreria universitaria** - Nov 22 2022

web jan 12 2022 una storia semplice solo all apparenza appassionante e commovente entra nel cuore dei lettori regalando emozioni uniche la piccola molly ha una grande

**storia di molly by w bruce cameron goodreads** - Jun 29 2023

web read 189 reviews from the world s largest community for readers from w bruce cameron the author of the new york times and usa today bestselling novel a