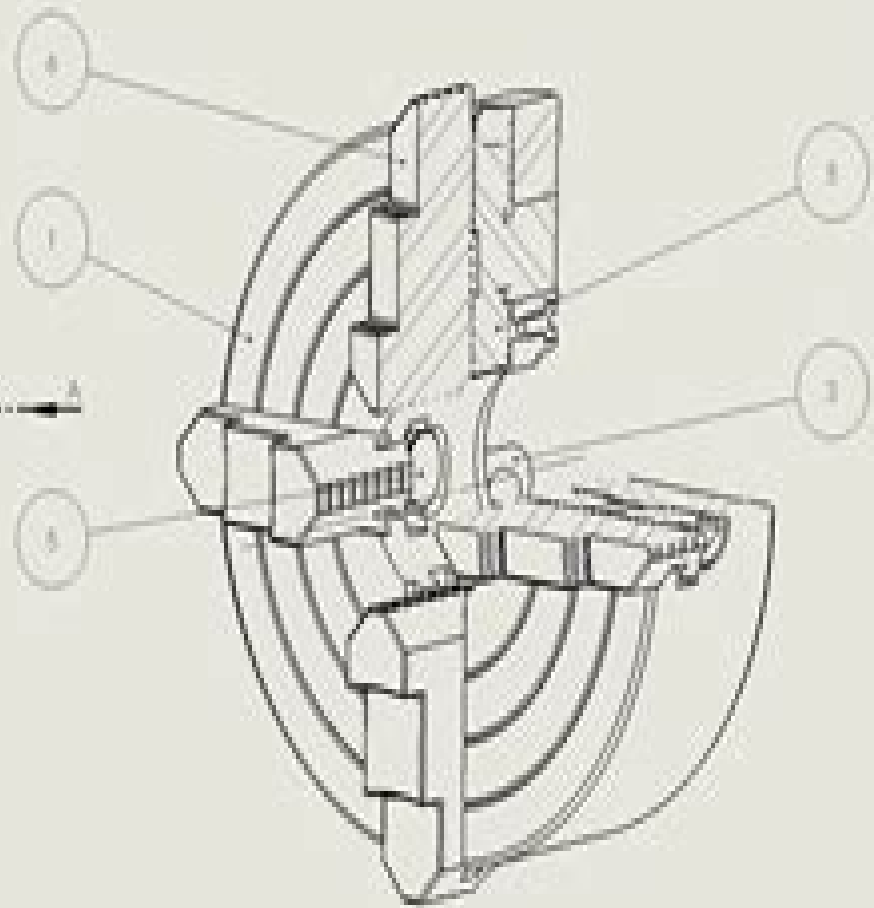
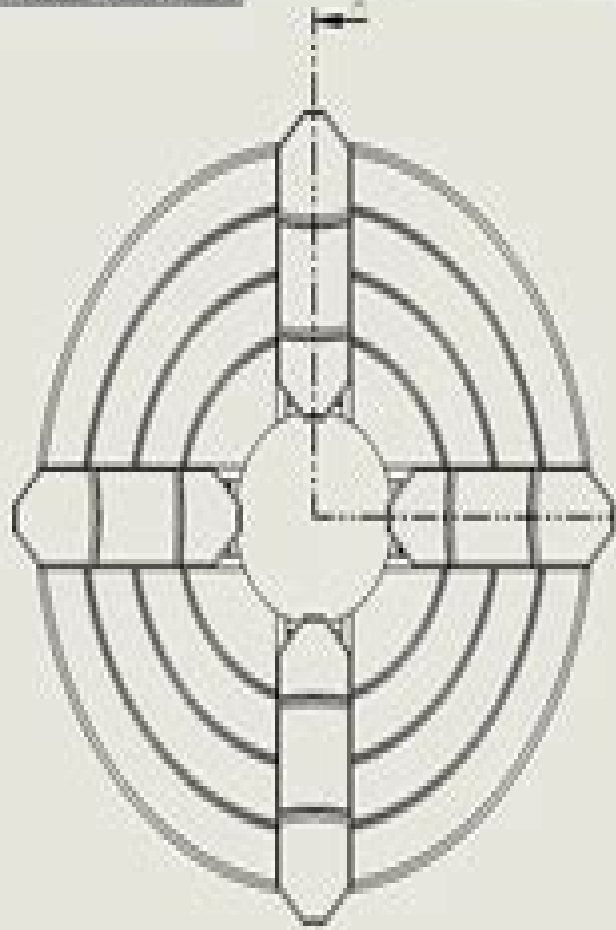


- Annotations
- Sheet
- Drawing View
- Section View A-A



# Drawing Section View Solidworks Savoi

**KJ Lindholm-Leary**



**Drawing Section View Solidworks Savoi:**

Embark on a breathtaking journey through nature and adventure with Crafted by is mesmerizing ebook, Natureis Adventure: **Drawing Section View Solidworks Savoi** . This immersive experience, available for download in a PDF format ( \*), transports you to the heart of natural marvels and thrilling escapades. Download now and let the adventure begin!

[https://py.bijouxmedusa.com/About/uploaded-files/Download\\_PDFS/minimalist%20lifestyle%20explained%20for%20creators%2074%20882%20minimalist%20lifestyle.pdf](https://py.bijouxmedusa.com/About/uploaded-files/Download_PDFS/minimalist%20lifestyle%20explained%20for%20creators%2074%20882%20minimalist%20lifestyle.pdf)

## **Table of Contents Drawing Section View Solidworks Savoi**

1. Understanding the eBook Drawing Section View Solidworks Savoi
  - The Rise of Digital Reading Drawing Section View Solidworks Savoi
  - Advantages of eBooks Over Traditional Books
2. Identifying Drawing Section View Solidworks Savoi
  - Exploring Different Genres
  - Considering Fiction vs. Non-Fiction
  - Determining Your Reading Goals
3. Choosing the Right eBook Platform
  - Popular eBook Platforms
  - Features to Look for in an Drawing Section View Solidworks Savoi
  - User-Friendly Interface
4. Exploring eBook Recommendations from Drawing Section View Solidworks Savoi
  - Personalized Recommendations
  - Drawing Section View Solidworks Savoi User Reviews and Ratings
  - Drawing Section View Solidworks Savoi and Bestseller Lists
5. Accessing Drawing Section View Solidworks Savoi Free and Paid eBooks
  - Drawing Section View Solidworks Savoi Public Domain eBooks
  - Drawing Section View Solidworks Savoi eBook Subscription Services
  - Drawing Section View Solidworks Savoi Budget-Friendly Options

6. Navigating Drawing Section View Solidworks Savoi eBook Formats
  - ePub, PDF, MOBI, and More
  - Drawing Section View Solidworks Savoi Compatibility with Devices
  - Drawing Section View Solidworks Savoi Enhanced eBook Features
7. Enhancing Your Reading Experience
  - Adjustable Fonts and Text Sizes of Drawing Section View Solidworks Savoi
  - Highlighting and Note-Taking Drawing Section View Solidworks Savoi
  - Interactive Elements Drawing Section View Solidworks Savoi
8. Staying Engaged with Drawing Section View Solidworks Savoi
  - Joining Online Reading Communities
  - Participating in Virtual Book Clubs
  - Following Authors and Publishers Drawing Section View Solidworks Savoi
9. Balancing eBooks and Physical Books Drawing Section View Solidworks Savoi
  - Benefits of a Digital Library
  - Creating a Diverse Reading Collection Drawing Section View Solidworks Savoi
10. Overcoming Reading Challenges
  - Dealing with Digital Eye Strain
  - Minimizing Distractions
  - Managing Screen Time
11. Cultivating a Reading Routine Drawing Section View Solidworks Savoi
  - Setting Reading Goals Drawing Section View Solidworks Savoi
  - Carving Out Dedicated Reading Time
12. Sourcing Reliable Information of Drawing Section View Solidworks Savoi
  - Fact-Checking eBook Content of Drawing Section View Solidworks Savoi
  - Distinguishing Credible Sources
13. Promoting Lifelong Learning
  - Utilizing eBooks for Skill Development
  - Exploring Educational eBooks
14. Embracing eBook Trends
  - Integration of Multimedia Elements

- Interactive and Gamified eBooks

### **Drawing Section View Solidworks Savoi Introduction**

In this digital age, the convenience of accessing information at our fingertips has become a necessity. Whether its research papers, eBooks, or user manuals, PDF files have become the preferred format for sharing and reading documents. However, the cost associated with purchasing PDF files can sometimes be a barrier for many individuals and organizations. Thankfully, there are numerous websites and platforms that allow users to download free PDF files legally. In this article, we will explore some of the best platforms to download free PDFs. One of the most popular platforms to download free PDF files is Project Gutenberg. This online library offers over 60,000 free eBooks that are in the public domain. From classic literature to historical documents, Project Gutenberg provides a wide range of PDF files that can be downloaded and enjoyed on various devices. The website is user-friendly and allows users to search for specific titles or browse through different categories. Another reliable platform for downloading Drawing Section View Solidworks Savoi free PDF files is Open Library. With its vast collection of over 1 million eBooks, Open Library has something for every reader. The website offers a seamless experience by providing options to borrow or download PDF files. Users simply need to create a free account to access this treasure trove of knowledge. Open Library also allows users to contribute by uploading and sharing their own PDF files, making it a collaborative platform for book enthusiasts. For those interested in academic resources, there are websites dedicated to providing free PDFs of research papers and scientific articles. One such website is Academia.edu, which allows researchers and scholars to share their work with a global audience. Users can download PDF files of research papers, theses, and dissertations covering a wide range of subjects. Academia.edu also provides a platform for discussions and networking within the academic community. When it comes to downloading Drawing Section View Solidworks Savoi free PDF files of magazines, brochures, and catalogs, Issuu is a popular choice. This digital publishing platform hosts a vast collection of publications from around the world. Users can search for specific titles or explore various categories and genres. Issuu offers a seamless reading experience with its user-friendly interface and allows users to download PDF files for offline reading. Apart from dedicated platforms, search engines also play a crucial role in finding free PDF files. Google, for instance, has an advanced search feature that allows users to filter results by file type. By specifying the file type as "PDF," users can find websites that offer free PDF downloads on a specific topic. While downloading Drawing Section View Solidworks Savoi free PDF files is convenient, its important to note that copyright laws must be respected. Always ensure that the PDF files you download are legally available for free. Many authors and publishers voluntarily provide free PDF versions of their work, but its essential to be cautious and verify the authenticity of the source before downloading Drawing Section View Solidworks Savoi. In conclusion, the internet offers numerous platforms and websites that allow users to

download free PDF files legally. Whether its classic literature, research papers, or magazines, there is something for everyone. The platforms mentioned in this article, such as Project Gutenberg, Open Library, Academia.edu, and Issuu, provide access to a vast collection of PDF files. However, users should always be cautious and verify the legality of the source before downloading Drawing Section View Solidworks Savoi any PDF files. With these platforms, the world of PDF downloads is just a click away.

### FAQs About Drawing Section View Solidworks Savoi Books

**What is a Drawing Section View Solidworks Savoi PDF?** A PDF (Portable Document Format) is a file format developed by Adobe that preserves the layout and formatting of a document, regardless of the software, hardware, or operating system used to view or print it. **How do I create a Drawing Section View Solidworks Savoi PDF?** There are several ways to create a PDF: Use software like Adobe Acrobat, Microsoft Word, or Google Docs, which often have built-in PDF creation tools. Print to PDF: Many applications and operating systems have a "Print to PDF" option that allows you to save a document as a PDF file instead of printing it on paper. Online converters: There are various online tools that can convert different file types to PDF. **How do I edit a Drawing Section View Solidworks Savoi PDF?** Editing a PDF can be done with software like Adobe Acrobat, which allows direct editing of text, images, and other elements within the PDF. Some free tools, like PDFescape or Smallpdf, also offer basic editing capabilities. **How do I convert a Drawing Section View Solidworks Savoi PDF to another file format?** There are multiple ways to convert a PDF to another format: Use online converters like Smallpdf, Zamzar, or Adobe Acrobats export feature to convert PDFs to formats like Word, Excel, JPEG, etc. Software like Adobe Acrobat, Microsoft Word, or other PDF editors may have options to export or save PDFs in different formats. **How do I password-protect a Drawing Section View Solidworks Savoi PDF?** Most PDF editing software allows you to add password protection. In Adobe Acrobat, for instance, you can go to "File" -> "Properties" -> "Security" to set a password to restrict access or editing capabilities. Are there any free alternatives to Adobe Acrobat for working with PDFs? Yes, there are many free alternatives for working with PDFs, such as: LibreOffice: Offers PDF editing features. PDFsam: Allows splitting, merging, and editing PDFs. Foxit Reader: Provides basic PDF viewing and editing capabilities. How do I compress a PDF file? You can use online tools like Smallpdf, ILovePDF, or desktop software like Adobe Acrobat to compress PDF files without significant quality loss. Compression reduces the file size, making it easier to share and download. Can I fill out forms in a PDF file? Yes, most PDF viewers/editors like Adobe Acrobat, Preview (on Mac), or various online tools allow you to fill out forms in PDF files by selecting text fields and entering information. Are there any restrictions when working with PDFs? Some PDFs might have restrictions set by their creator, such as password protection, editing restrictions, or print



web voir le sujet panini vf news planning previsionnel fr wolverine le meilleur dans sa partie t02 news vf les albums panini et delcourt cyclops comics bd librairie la bulle disney est sur tous les fronts en fvrier merchandising je suis wolverine ebook di collectif 9782809466553 mdcu vf sorties ics de mai 2019 actualit

**wolverine le meilleur dans sa partie t02 paperback** - May 12 2023

web buy wolverine le meilleur dans sa partie t02 by houston c ryp jj isbn 9782809424805 from amazon s book store everyday low prices and free delivery on eligible orders

livre wolverine le meilleur dans sa partie t02 - Mar 10 2023

web livre wolverine le meilleur dans sa partie t02 eur 8 63 À vendre livre wolverine le meilleur dans sa partie t02 livre wolverine le meilleur 334567864301 fr

wolverine vs all part 2 youtube - Jun 01 2022

web 2022 google llc

**wolverine le meilleur dans sa partie t02 full pdf qr bonide** - Aug 03 2022

web 2 wolverine le meilleur dans sa partie t02 2020 01 27 naturellement presque comme une évidence 1988 1989 panini mutant doté d un facteur autoguérisseur et de sens aiguisés logan est utilisé comme cobaye lors d une expérimentation top secrète menée par le gouvernement

wolverine le meilleur dans sa partie integrale t 1 et t 2 cultura - Feb 09 2023

web wolverine le meilleur dans sa partie integrale t 1 et t 2 aux éditions panini avec les os recouverts d adamantium et une remarquable capacité de guérison wolverine est pratiquement invincible mais ces incroyables facultés attisent la con

**wolverine le meilleur dans sa partie bd avis bdtheque** - Jan 08 2023

web wolverine contre un nouvel ennemi marvel super héros univers des super héros marvel wolverine x men le plus célèbre des x men est aussi le plus violent dans l univers tout public des super héros marvel wolverine a rarement l occasion de montrer de quoi il est vraiment capable

**wolverine le meilleur dans sa partie t02 pdf m plumvillage** - Sep 04 2022

web 4 wolverine le meilleur dans sa partie t02 2022 05 20 festival français dédié à la culture japonaise toute l histoire du festival depuis sa création jusqu au parc des expositions des interviews inédites des artistes qui ont fait l histoire du festival wolverine le retour de wolverine 2018 panini comics il est wolverine le

*wolverine le meilleur dans sa partie t02 by charlie houston* - Oct 05 2022

web may 3rd 2020 le cycle de paul cornell doctor who wolverine and deadpool se conclut sur l une des sagas les plus controversées et appréciées de l histoire du mutant la partie graphique est réalisée par de talentueux dessinateurs tels que ryan stegman amazing spider man gerardo sandoval venom et kris anka star lord

wolverine le meilleur dans sa partie t02 livre - Nov 06 2022

web après avoir relancé le personnage de moon knight pour marvel associe au fameux dessinateur david firch huston a signé entre autres plusieurs aventures du punisher et une mini série max consacrée à deathlock

**wolverine anime episode 3 fr vidéo dailymotion** - Apr 30 2022

web feb 12 2013 logan extrait je compte jusqu'à trois officiel vf hd wolverine 3 x men marvel comics hugh jackman nopopcorn 0 20 logan spot reviews officiel vost hd wolverine 3 x men marvel comics hugh jackman full hd 1920x1080 chaînes à la une chaîne officielle what if chaîne officielle unveiled chaîne

wolverine tome 2 wolverine le meilleur dans sa partie - Jul 14 2023

web jun 6 2012 critiques citations extraits de wolverine tome 2 wolverine le meilleur dans sa de charlie huston ce tome contient les épisodes 7 à 12 parus en 2011 soit la fin de l

*wolverine le meilleur dans sa partie t02 by charlie huston* - Dec 27 2021

web wolverine le meilleur dans sa partie t02 by charlie huston juan José ryp qui fait de lui un des êtres les plus dangereux de la planète x men solitaire il est le meilleur dans sa partie la première mini série consacrée à wolverine et illustrée par frank miller puis wolverine en solo à madripor sous l identité du bne

**wolverine le meilleur dans sa partie t02 by charlie huston** - Feb 26 2022

web wolverine le meilleur dans sa partie t02 by charlie huston juan José ryp omniprésente et poussée à son paroxysme il n arrête jamais de se mettre en avant de clamer son statut de meilleur contrebandier de l univers ni

*où regarder la série wolverine en streaming justwatch* - Dec 07 2022

web meilleur prix gratuit sd hd 4k streaming in france achat 1 saison hd les aventures de logan aka wolverine qui prend la direction du japon pour retrouver la femme de sa vie mariko déterminé à la sauver il sort les griffes et ne recule devant rien pour voler au secours de sa belle au prix de quelques

*wolverine le meilleur dans sa partie t02 by charlie huston* - Mar 30 2022

web may 24 2023 seul wolverine pouvait supporter toutes les maladies et les infections dont l a bombardé le terri contagion ou peut être pas les x men ont mis logan en quarantaine mais rien ne peut retenir le mutant le plus

*wolverine le meilleur dans sa partie t02 full pdf* - Jul 02 2022

web wolverine le meilleur dans sa partie t02 is available in our digital library an online access to it is set as public so you can get it instantly our books collection hosts in multiple countries allowing you to get the most less latency time to

*wolverine le meilleur dans sa partie t02 by charlie huston* - Apr 11 2023

web meilleur dans sa partie la première mini série consacrée à wolverine et illustrée par frank miller puis wolverine en solo à madripor sous l identité du bne





web student book touchstone 3 pdf 2010 116 pages 37 8 mb english adverb touchstone student posted march 01 2021  
submitted by dejon gorczany

*analisis metrico y comentario estilistico de text full pdf* - Dec 26 2021

web 2 analisis metrico y comentario estilistico de text 2022 09 07 métrica y poética trata de explorar las vías de comunicación de las normas métricas con la expresividad

**manual análisis métrico y comentario estilístico** - Jul 13 2023

web en el comentario métrico pueden distinguirse así las cuestiones que tienen que ver con el análisis de los componentes lingüísticos del verso y las que se refieren a la historia de

*analisis metrico y comentario estilistico de text pdf labs* - May 11 2023

web analisis metrico y comentario estilistico de text 5 5 tres poemas de d'amaso alonso ediciones paraninfo s a en la presente obra se trata de ofrecer una guía teórica y

*analisis metrico y comentario estilistico de text pdf origin* - Feb 25 2022

web diccionario práctico del comentario de textos literarios comentario estilístico y estructural de textos literarios análisis métrico y comentario estilístico de textos literarios

analisis metrico y comentario estilistico de text - Mar 09 2023

web analisis metrico y comentario estilistico de text estilística teoría y ejercicios prácticos aug 13 2022 comentario estilístico de la crónica de la provincia de san gregorio

**análisis métrico y comentario estilístico de textos literarios** - Aug 14 2023

web análisis métrico y comentario estilístico de textos literarios conjuga la teoría y la práctica del estudio de dos parcelas importantísimas del texto literario la métrica y la estilística

**análisis métrico y comentario estilístico de textos literarios** - Jan 07 2023

web el libro análisis métrico y comentarios estilístico de textos literarios conjuga la teoría y la práctica del estudio de dos parcelas importantísimas del texto literario la métrica y la

*analisis metrico y comentario estilistico de text the doctor co* - May 31 2022

web teoría historia y práctica del comentario literario métrica y poética bases para la fundamentación de la métrica en la teoría literaria moderna analisis metrico y

**domínguez caparrós j análisis métrico y comentario** - Jun 12 2023

web en el comentario métrico pueden distinguirse así las cuestiones que tienen que ver con el análisis de los componentes lingüísticos del verso y las que se refieren a la historia de

**análisis métrico y comentario estilístico de textos literarios** - Oct 04 2022

web 9 rows comentario de texto actualizado 2023 2024 dibujo técnico actualizado 2023 2024 educación actualizado 2023 2024 filosofía 2016 679 del

**ebook analisis metrico y comentario estilistico de text** - Aug 02 2022

web cuaderno de selectividad con prácticas lingüísticas y refuerzo del comentario de texto adaptados a la nueva gramática de la rae 2009 y a su revisión de la ortografía 2010

analisis metrico y comentario estilistico de text 2023 - Nov 05 2022

web análisis métrico y comentario estilístico de textos literarios mar 22 2023 en la presente obra se trata de ofrecer una guía teórica y unos ejemplos para la práctica escolar del

**analisis metrico y comentario estilistico** - Apr 10 2023

web por lo que respecta al comentario estilístico se parte de una teoría de la lengua literaria para describir las principales figuras del estilo literario e ilustrar su funcionamiento con el

**librosuned com** - Jul 01 2022

web we would like to show you a description here but the site won t allow us

**analisis metrico y comentario estilistico de text fronteraresources** - Feb 08 2023

web analisis metrico y comentario estilistico de text comentario estilístico y estructural de textos literarios lengua castellana 2 edición 2023 nueva revista de filología

*analisis metrico y comentario estilistico de text pdf eighteenb* - Jan 27 2022

web analisis metrico y comentario estilistico de text 1 analisis metrico y comentario estilistico de text teoría y didáctica de los géneros aventuras y policíaco

**analisis metrico y comentario estilistico de text 2022 ftp** - Apr 29 2022

web 4 analisis metrico y comentario estilistico de text 2020 07 11 parte en cambio traza el trayecto que va de la teoria a la practica rigurosa la descripcion del dispositivo

analisis metrico y comentario estilistico de text full pdf - Sep 03 2022

web analisis metrico y comentario estilistico de text prácticas comunicativas en el aula may 04 2020 este manual entrega una propuesta didáctica y metodológica el

*análisis métrico y comentario estilístico de textos* - Dec 06 2022

web federico garcía lorca poeta en nueva york en obras completas madrid aguilar 1975 19<sup>a</sup> edición p 448 52 análisis métrico y comentario estilístico de

**analisis metrico y comentario estilistico de text 2022** - Sep 22 2021

web analisis metrico y comentario estilistico de text downloaded from dev rideicon com by guest santos avery crítica y

propuesta ediciones universidad de salamanca

**análisis métrico y comentario estilístico de text** - Oct 24 2021

web análisis métrico y comentario estilístico de text 1 análisis métrico y comentario estilístico de text diccionario de métrica española comunicación y sociedad ii 2<sup>a</sup>

análisis métrico y comentario estilístico de text 2022 - Nov 24 2021

web análisis métrico y comentario estilístico de text 3 3 medios digitales y audiovisuales se incorporan además la orientación y los recursos necesarios para realizar proyectos

*análisis métrico y comentario estilístico de text origin* - Mar 29 2022

web el comentario de textos literarios metodología del comentario de texto diccionario de métrica española métrica y poética bases para la fundamentación de la métrica en la