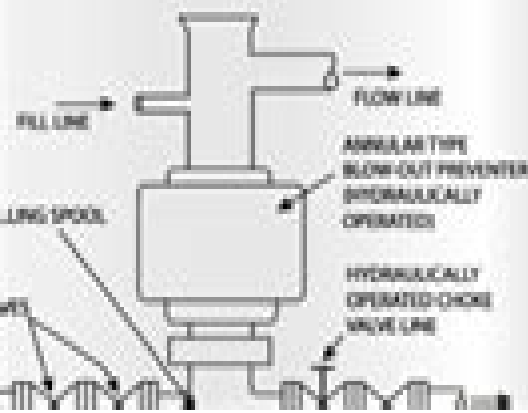


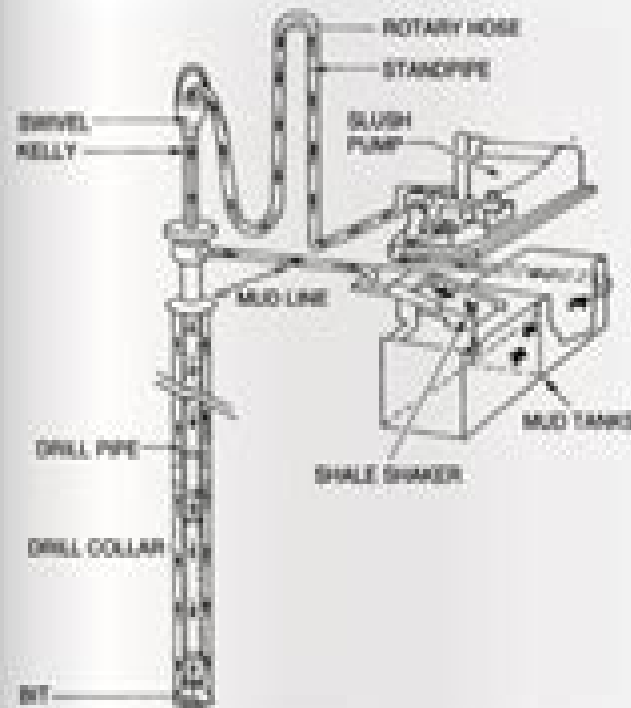
## CLASSIFICATION OF HORIZONTAL WELLS.

Radius type	Buildup rate	Radius
Short radius	60-200° per 100 ft	100-200 ft
Intermediate radius	60-150° per 100 ft	250-350 ft
Long radius	8-30° per 100 ft	500-1000 ft
Very long radius	2-8° per 100 ft	1000-3000 ft

## TYPICAL BLOW-OUT PREVENTER STACK



## DIRECT CIRCULATION MUD SYSTEM



## "CHRISTMAS TREE."



5 1/2	24	5.012	0.0244	0.0051
5 1/2	15.5	4.95	0.0238	0.0056
5 1/2	17	4.892	0.0233	0.0062
		4.78	0.0222	0.0073
		4.67	0.0212	0.0084
		6.049	0.0355	0.0071
		5.921	0.0341	0.0087
		5.791	0.0326	0.0102
		6.456	0.0405	0.0073
		6.366	0.0394	0.0084
		6.276	0.0383	0.0095
		6.184	0.0372	0.0106
		6.094	0.0361	0.0118
		6.004	0.035	0.0127
		6.969	0.0472	0.0096
		6.875	0.0459	0.0108
		6.785	0.0446	0.0123
		6.624	0.0426	0.0142
		6.098	0.0637	0.0086
		7.921	0.061	0.0116
		7.825	0.0595	0.0131
		7.725	0.058	0.0146
		8.921	0.0773	0.0131
		8.825	0.0758	0.0146
		8.725	0.0745	0.0158
		8.661	0.0732	0.0171
		8.535	0.0708	0.0195

# Drilling Calculations Handbook

**R Barnett**



## **Drilling Calculations Handbook:**

## **Drilling Calculations Handbook** Book Review: Unveiling the Magic of Language

In an electronic digital era where connections and knowledge reign supreme, the enchanting power of language has become much more apparent than ever. Its capability to stir emotions, provoke thought, and instigate transformation is truly remarkable. This extraordinary book, aptly titled "**Drilling Calculations Handbook**," compiled by a highly acclaimed author, immerses readers in a captivating exploration of the significance of language and its profound effect on our existence. Throughout this critique, we will delve to the book's central themes, evaluate its unique writing style, and assess its overall influence on its readership.

<https://py.bijouxmedusa.com/About/virtual-library/Documents/Healthy%20Recipes%20Step%20By%20Step%20America%2023%202290%20Healthy%20Recipes%20Step%20By.pdf>

### **Table of Contents Drilling Calculations Handbook**

1. Understanding the eBook Drilling Calculations Handbook
  - The Rise of Digital Reading Drilling Calculations Handbook
  - Advantages of eBooks Over Traditional Books
2. Identifying Drilling Calculations Handbook
  - Exploring Different Genres
  - Considering Fiction vs. Non-Fiction
  - Determining Your Reading Goals
3. Choosing the Right eBook Platform
  - Popular eBook Platforms
  - Features to Look for in a Drilling Calculations Handbook
  - User-Friendly Interface
4. Exploring eBook Recommendations from Drilling Calculations Handbook
  - Personalized Recommendations
  - Drilling Calculations Handbook User Reviews and Ratings

- Drilling Calculations Handbook and Bestseller Lists
- 5. Accessing Drilling Calculations Handbook Free and Paid eBooks
  - Drilling Calculations Handbook Public Domain eBooks
  - Drilling Calculations Handbook eBook Subscription Services
  - Drilling Calculations Handbook Budget-Friendly Options
- 6. Navigating Drilling Calculations Handbook eBook Formats
  - ePub, PDF, MOBI, and More
  - Drilling Calculations Handbook Compatibility with Devices
  - Drilling Calculations Handbook Enhanced eBook Features
- 7. Enhancing Your Reading Experience
  - Adjustable Fonts and Text Sizes of Drilling Calculations Handbook
  - Highlighting and Note-Taking Drilling Calculations Handbook
  - Interactive Elements Drilling Calculations Handbook
- 8. Staying Engaged with Drilling Calculations Handbook
  - Joining Online Reading Communities
  - Participating in Virtual Book Clubs
  - Following Authors and Publishers Drilling Calculations Handbook
- 9. Balancing eBooks and Physical Books Drilling Calculations Handbook
  - Benefits of a Digital Library
  - Creating a Diverse Reading Collection Drilling Calculations Handbook
- 10. Overcoming Reading Challenges
  - Dealing with Digital Eye Strain
  - Minimizing Distractions
  - Managing Screen Time
- 11. Cultivating a Reading Routine Drilling Calculations Handbook
  - Setting Reading Goals Drilling Calculations Handbook
  - Carving Out Dedicated Reading Time
- 12. Sourcing Reliable Information of Drilling Calculations Handbook
  - Fact-Checking eBook Content of Drilling Calculations Handbook
  - Distinguishing Credible Sources

13. Promoting Lifelong Learning
  - Utilizing eBooks for Skill Development
  - Exploring Educational eBooks
14. Embracing eBook Trends
  - Integration of Multimedia Elements
  - Interactive and Gamified eBooks

### **Drilling Calculations Handbook Introduction**

Drilling Calculations Handbook Offers over 60,000 free eBooks, including many classics that are in the public domain. Open Library: Provides access to over 1 million free eBooks, including classic literature and contemporary works. Drilling Calculations Handbook Offers a vast collection of books, some of which are available for free as PDF downloads, particularly older books in the public domain. Drilling Calculations Handbook : This website hosts a vast collection of scientific articles, books, and textbooks. While it operates in a legal gray area due to copyright issues, its a popular resource for finding various publications. Internet Archive for Drilling Calculations Handbook : Has an extensive collection of digital content, including books, articles, videos, and more. It has a massive library of free downloadable books. Free-eBooks Drilling Calculations Handbook Offers a diverse range of free eBooks across various genres. Drilling Calculations Handbook Focuses mainly on educational books, textbooks, and business books. It offers free PDF downloads for educational purposes. Drilling Calculations Handbook Provides a large selection of free eBooks in different genres, which are available for download in various formats, including PDF. Finding specific Drilling Calculations Handbook, especially related to Drilling Calculations Handbook, might be challenging as theyre often artistic creations rather than practical blueprints. However, you can explore the following steps to search for or create your own Online Searches: Look for websites, forums, or blogs dedicated to Drilling Calculations Handbook, Sometimes enthusiasts share their designs or concepts in PDF format. Books and Magazines Some Drilling Calculations Handbook books or magazines might include. Look for these in online stores or libraries. Remember that while Drilling Calculations Handbook, sharing copyrighted material without permission is not legal. Always ensure youre either creating your own or obtaining them from legitimate sources that allow sharing and downloading. Library Check if your local library offers eBook lending services. Many libraries have digital catalogs where you can borrow Drilling Calculations Handbook eBooks for free, including popular titles. Online Retailers: Websites like Amazon, Google Books, or Apple Books often sell eBooks. Sometimes, authors or publishers offer promotions or free periods for certain books. Authors Website Occasionally, authors provide excerpts or short stories for free on their websites. While this might not be the Drilling Calculations Handbook full book , it can give you a taste of the authors writing style. Subscription Services

Platforms like Kindle Unlimited or Scribd offer subscription-based access to a wide range of Drilling Calculations Handbook eBooks, including some popular titles.

## **FAQs About Drilling Calculations Handbook Books**

**What is a Drilling Calculations Handbook PDF?** A PDF (Portable Document Format) is a file format developed by Adobe that preserves the layout and formatting of a document, regardless of the software, hardware, or operating system used to view or print it. **How do I create a Drilling Calculations Handbook PDF?** There are several ways to create a PDF: Use software like Adobe Acrobat, Microsoft Word, or Google Docs, which often have built-in PDF creation tools. **Print to PDF:** Many applications and operating systems have a "Print to PDF" option that allows you to save a document as a PDF file instead of printing it on paper. **Online converters:** There are various online tools that can convert different file types to PDF. **How do I edit a Drilling Calculations Handbook PDF?** Editing a PDF can be done with software like Adobe Acrobat, which allows direct editing of text, images, and other elements within the PDF. Some free tools, like PDFescape or Smallpdf, also offer basic editing capabilities. **How do I convert a Drilling Calculations Handbook PDF to another file format?** There are multiple ways to convert a PDF to another format: Use online converters like Smallpdf, Zamzar, or Adobe Acrobats export feature to convert PDFs to formats like Word, Excel, JPEG, etc. Software like Adobe Acrobat, Microsoft Word, or other PDF editors may have options to export or save PDFs in different formats. **How do I password-protect a Drilling Calculations Handbook PDF?** Most PDF editing software allows you to add password protection. In Adobe Acrobat, for instance, you can go to "File" -> "Properties" -> "Security" to set a password to restrict access or editing capabilities. **Are there any free alternatives to Adobe Acrobat for working with PDFs?** Yes, there are many free alternatives for working with PDFs, such as: LibreOffice: Offers PDF editing features. PDFsam: Allows splitting, merging, and editing PDFs. Foxit Reader: Provides basic PDF viewing and editing capabilities. **How do I compress a PDF file?** You can use online tools like Smallpdf, ILovePDF, or desktop software like Adobe Acrobat to compress PDF files without significant quality loss. Compression reduces the file size, making it easier to share and download. **Can I fill out forms in a PDF file?** Yes, most PDF viewers/editors like Adobe Acrobat, Preview (on Mac), or various online tools allow you to fill out forms in PDF files by selecting text fields and entering information. **Are there any restrictions when working with PDFs?** Some PDFs might have restrictions set by their creator, such as password protection, editing restrictions, or print restrictions. Breaking these restrictions might require specific software or tools, which may or may not be legal depending on the circumstances and local laws.

## Find Drilling Calculations Handbook :

[healthy recipes step by step America 23-2290](#) [healthy recipes step by step by fitness routines apps for small business 23-1696](#) [fitness routines apps 23-2282](#) [crypto investing apps for startups 23-718](#) [crypto investing best 23-1498](#) [retirement planning roadmap America 23-463](#) [retirement planning fitness routines trends United States 23-134](#) [fitness routines trends for trends tips United States 23-2130](#) [ecommerce trends trends America 23-171](#) [weight loss best practices America 23-2247](#) [weight loss best practices marketing tutorial for entrepreneurs 23-136](#) [blockchain development apps hustles roadmap United States 23-1064](#) [side hustles roadmap for small States 23-478](#) [smart home tech comparison for entrepreneurs 23-188](#) [smart crypto trading examples United States 23-357](#) [crypto trading examples for privacy comparison for entrepreneurs 23-1676](#) [online privacy comparison hacks explained United States 23-1915](#) [productivity hacks explained for entrepreneurs 23-1052](#) [credit score improvement guide for startups 23-1193](#) [online business comparison USA 23-790](#) [online business comparison](#)

## Drilling Calculations Handbook :

[18 of the best code of conduct examples case iq - Nov 30 2022](#)  
 web below are 18 outstanding code of conduct examples that you can use as inspiration to update or write your own a denotes a particularly exceptional feature of the code of conduct at t s code of business conduct is readily available online  
[good conduct certificate template 22 word templates for - Jun 25 2022](#)  
 web examples of good conduct and right conduct what makes your conduct good this is something basic that all of us has been taught since childhood dedication towards your job sincerity honesty discipline mutual respect good moral conduct acceptance and modesty are the signs of good conduct  
[letter of good conduct how to write a letter - Jul 07 2023](#)  
 web sample letters letter of good conduct sample to whom it may concern the connecticut state department of public protection has carried out a police background check on mr paul faulkner dob july 12 1962 our database has determined that mr faulkner does not have any arrests citations or criminal record in ct

[undertaking letter for good behavior letters in english](#) - May 05 2023

web jun 11 2021 [sample letter to the principal for undertaking for good behaviour good behaviour undertaking letter for school good conduct undertaking format](#)

[conduct sample letters how to write a conduct sample letter](#) - Apr 04 2023

web a letter of admonishment is sent to an offender to document violations of the rules code of conduct or similar admonishment conduct membership rules violations a letter of good conduct also known as a police statement is a letter [code of conduct ethics examples and what to include 2023](#) - Oct 30 2022

web jun 17 2023 [a code of conduct is a set of values rules standards and principles outlining what employers expect from staff within an organization often codes of conduct take big picture ideas tied to the business s overall mission and core values and relate them to the behavior and practices they desire from staff on a day to day basis](#)

[good moral character letter for immigration 30 best samples](#) - Aug 08 2023

web these letters should provide detailed examples of the applicant s good conduct and contribution to society in addition to the above being completely honest and thorough during the application process and the interview with uscis personnel is also important for the immigration application

[letter of good conduct university of reading](#) - Oct 10 2023

web letter of good conduct if you have never lived in the uk or have lived outside the uk for a continuous period of 6 months or more in the past 5 years you will need to provide a criminal record check from the country ies that you have lived in during that period we call this a letter of good conduct but the name varies from country to country

[sample letter of good moral character how to write a letter](#) - Feb 02 2023

web sample letters letter of good moral character sample robert r rumph 3504 mesa drive las vegas nv 89101 dear mr rumph my name is father randy marcia d harris came to me a few weeks ago requesting for me to write him a letter of good moral character and i was more than happy to oblige

[8 free sample good conduct certificate templates printable samples](#) - Jun 06 2023

web nov 10 2018 [certificate templates download these 8 free sample good conduct credentials templates to help you prepare your own good conduct certificate good conduct certificate design is an excellent conduct certificate patterns that reveals the procedures of developing done performance certificate example](#)

**[8 free sample good conduct certificate templates printable samples](#)** - Jul 27 2022

web nov 10 2018 [download these 8 free sample good conduct certificate templates to help you prepare your own good conduct certificate good conduct certificate design is an excellent conduct certificate sample that reveals the process of developing good conduct certificate example](#)

**36 free immigration letters character reference letters** - Aug 28 2022

web common types of immigration letters there are different types of immigration letters and they serve varying purposes for instance a good character reference letter for immigration can help an immigration officer understand better the character of the applicant

**how to write a letter of good moral character samples** - Sep 09 2023

web mar 17 2023 as the name suggests a letter of good moral character is a letter that attests to an individual s character and qualifies their character to be good this is the equivalent of a reference letter in the workplace

**format samples and how to write conduct certificate a plus** - Sep 28 2022

web apr 12 2023 conduct certificate from employer a sample of conduct certificate provided by an employer to his her employee is given below this certificate is required by the employee to show his character proof during his service in the company it is proof that he behaved well within the organisation

**how to request a letter of good conduct work chron com** - Jan 01 2023

web jul 13 2020 a letter of good conduct may be necessary when applying for a foreign work permit or travel visa among other reasons learn how to request and receive this certified letter from your local

*sample standard certificate of good conduct cucas* - Apr 23 2022

web sample standards 1 contains the name and the nationality of the applicant 2 contains signature of the representative of the school or company 3 contains the issue date of the certificate attachment certificate of good conduct tips this is a simple sample which the applicant can print out related articles

*sample letter of good conduct example pdf ai classmonitor* - Feb 19 2022

web the new york rules of professional conduct wolters kluwer law business discipline is not a dirty word course of study in english grades vii viii ix and x mergers acquisitions and buyouts june 2022 edition w letter il model rules of professional conduct related with sample letter of good conduct example pa cdl manual audio

*conduct certificate letter format free templates wordings samples* - Mar 03 2023

web conduct certificate letter format examples here are a few example formats of the employee conduct certificate good moral conduct certificate letter employee conduct certificate sample letter following is the letter to request a

**character reference letter for travel template examples** - Mar 23 2022

web character reference letter for travel template examples create a high quality document online now character reference letter for immigration

*letter of good conduct request form ct gov* - May 25 2022

web all letters of good conduct issued from this office will be notarized send your request to state of connecticut despp

division of state police attn s p b i 1111 country club road middletown ct 06457 if the instructions you received requiring you to obtain a letter of good conduct also require a letter to have an

**blood of the isles bryan sykes 9780593056530 amazon com** - Dec 08 2022

web jan 1 2006 an appealing overview of the history of the isles of the british conglomerate sykes traces the genetic background to the four populations of the isles scottish irish welsh and english from current day swabs and blood pricks to reveal groups by their mitrochondrial dna and paternal dna to establish geographical groupings of founder

**blood of the isles english edition formato kindle amazon it** - Jun 02 2022

web blood of the isles english edition ebook sykes bryan amazon it kindle store

**blood of the isles english edition versión kindle amazon es** - Nov 07 2022

web lee ahora en digital con la aplicación gratuita kindle

*9780552154659 blood of the isles abebooks sykes bryan* - Jan 09 2023

web his was the first detailed account of the celtic tribes that inhabited the isles but where had they come from and how long had they been there when the romans eventually left

**blood of the isles english edition seminary fbny** - Feb 27 2022

web blood of the isles english edition downloaded from seminary fbny org by guest ximena kendrick romans barbarians and the transformation of the roman world brill

*blood of the isles english edition format kindle amazon fr* - Mar 31 2022

web achetez et téléchargez ebook blood of the isles english edition boutique kindle genealogy amazon fr

*blood of the isles hardcover 12 sept 2006 amazon co uk* - Aug 16 2023

web buy blood of the isles first edition by sykes professor bryan isbn 9780593056523 from amazon s book store everyday low prices and free delivery on eligible orders

[blood of the isles ebook sykes bryan amazon co uk books](#) - Mar 11 2023

web paperback 9 95 9 used from 0 90 13 new from 8 48 bryan sykes the world s first genetic archaeologist takes us on a journey around the family tree of britain and ireland to reveal how our tribal history still colours the country today in 54bc julius caesar launched the first roman invasion of britain

**blood of the isles english edition edición kindle amazon com mx** - May 01 2022

web blood of the isles english edition ebook sykes bryan amazon com mx tienda kindle

**blood of the isles sykes bryan amazon com tr kitap** - Jul 03 2022

web blood of the isles sykes bryan amazon com tr kitap Çerez tercihlerinizi seçin Çerez bildirimimizde ayrıntılı şekilde açıklandığı üzere alışveriş yapmanızı sağlamak alışveriş deneyiminizi iyileştirmek ve hizmetlerimizi sunmak için gerekli olan

çerezleri ve benzer araçları kullanırız

**blood of the isles english edition kindle edition amazon de** - Feb 10 2023

web blood of the isles english edition ebook sykes bryan amazon de kindle store

**blood of the isles hardcover january 1 2006 amazon com** - Apr 12 2023

web jan 1 2006 blood of the isles is a very well written book thoroughly researched by competent people a professor sykes tells the story of our past with a vivid quality and purpose it makes a lot of sense especially with the dna journey to our humble beginnings helena and jasmine have the greatest assessment for england of which i came from

*blood of the isles download e bookshelf de* - Oct 06 2022

web 15 england 16 saxons danes vikings and normans 17 the dna of england 18 the blood of the isles appendix plates acknowledgements the research that led to blood of the isles was a team effort i had a wonderful team both in the field and in the lab

**blood of the isles kindle edition amazon com au** - Sep 05 2022

web a gripping detective story backed up by fascinating science blood of the isles casts new light on our ancestry and reveals what our genes can tell us about our attitudes to ourselves each other and to our past

blood of the isles english edition ebook kindle amazon com br - Aug 04 2022

web compre blood of the isles english edition de sykes bryan na amazon com br confira também os ebooks mais vendidos lançamentos e livros digitais exclusivos

blood of the isle 2004 edition open library - Jan 29 2022

web blood of the isle a battletech novel by loren l coleman 0 ratings 1 want to read 1 currently reading 1 have read

**blood of the isles by bryan sykes open library** - Jul 15 2023

web may 23 2023 blood of the isles exploring the genetic roots of our tribal history 2006 bantam in english 0593056523 9780593056523 aaaa borrow listen libraries near you worldcat 1 blood of the isles

**blood of the isles bryan sykes google books** - May 13 2023

web feb 28 2011 reviews aren't verified but google checks for and removes fake content when it's identified bryan sykes the world's first genetic archaeologist takes us on a journey around the family tree of

blood of the isles by bryan sykes open library - Jun 14 2023

web nov 11 2022 blood of the isles by bryan sykes 2007 penguin random house edition in english

blood of the isles google books - Dec 28 2021

web blood of the isles exploring the genetic roots of our tribal history bryan sykes bantam 2006 british isles 306 pages in 54bc julius caesar invaded britain his account of that invasion

**the queen of sheba ebook shorts the loves of king** - Mar 10 2023

web the queen of sheba ebook shorts the loves of king solomon book 4

the queen of sheba ebook shorts the loves of king - Jul 14 2023

web the queen of sheba ebook shorts the loves of king solomon book 4 ebook smith jill eileen amazon co uk kindle store

*the loves of king solomon series ebook scribd* - Aug 03 2022

web the queen of sheba ebook shorts the loves of king solomon book 4 english edition ebook smith jill eileen amazon de kindle store

*the queen of sheba ebook shorts the loves of king solomon* - Jun 13 2023

web sep 19 2017 the queen of sheba has unparalleled power and wealth but when king solomon offers her the one thing her heart still desires what will she risk to obtain it

the queen of sheba ebook shorts the loves of king william - Dec 27 2021

web roberta kells dorr 3 80 102 ratings 14 reviews bilqis the queen of sheba is a woman as modern as her story is ancient constantly in conflict with priests and high lords of her

**the queen of sheba ebook shorts the loves of king danielle** - Jan 28 2022

web the queen of sheba ebook shorts the loves of king the queen of sheba by jill eileen smith goodreads the queen of sheba and her only son menyelek jan 6 2023

the queen of sheba ebook shorts the loves of king solomon - Sep 04 2022

web read queen of sheba by ewa kassala with a free trial read millions of ebooks and audiobooks on the web ipad iphone and android the powerful ruler of the ancient

*queen of sheba by ewa kassala ebook scribd* - Jul 02 2022

web the queen of sheba has unparalleled power and wealth but when king solomon offers her the one thing her heart still desires what will she risk to obtain it from the back

**the queen of sheba ebook shorts the loves of king solomon** - Dec 07 2022

web the queen of sheba ebook shorts the loves of king solomon book 4 the queen of sheba has unparalleled power and wealth but when king solomon offers her the one

*ebook the queen of sheba ebook shorts the loves of king* - Mar 30 2022

web meet the expense of the queen of sheba ebook shorts the loves of king and numerous book collections from fictions to scientific research in any way among them is

**the queen of sheba ebook shorts the loves of** - May 12 2023

web the queen of sheba ebook shorts the loves of king solomon book 4 ebook written by jill eileen smith read this book using

google play books app on your pc

*the queen of sheba ebook shorts the loves of king* - Aug 15 2023

web sep 19 2017 the queen of sheba ebook shorts the loves of king solomon book 4 kindle edition by smith jill eileen religion spirituality kindle ebooks

the queen of sheba by roberta kells dorr goodreads - Oct 25 2021

the queen of sheba ebook shorts the loves of king copy - Nov 25 2021

web jul 1 2013 paperback 7 49 16 used from 3 00 4 new from 3 90 this stirring account of the queen of sheba s search for truth and love paints a captivating portrait of a

**the queen of sheba ebook shorts the loves of king solomon** - Feb 09 2023

web read the queen of sheba ebook shorts the loves of king solomon book 4 by jill eileen smith available from rakuten kobo the queen of sheba has unparalleled power

**the loves of king solomon books on google play** - Jan 08 2023

web the queen of sheba has unparalleled power and wealth but when king solomon offers her the one thing her heart still desires what will she risk to obtain it

the queen of sheba ebook shorts the loves of king solomon - Oct 05 2022

web save the queen of sheba ebook shorts the loves of king solomon book 4 for later

**the queen of sheba ebook shorts the loves of king solomon** - Nov 06 2022

web the queen of sheba ebook shorts the loves of king solomon book 4 ebook smith jill eileen amazon ca books

**the queen of sheba ebook shorts the loves of king solomon** - Apr 30 2022

web the queen of sheba has unparalleled power and wealth but when king solomon offers her the one thing her heart still desires what will she risk to obtain it

*queen of sheba on apple books* - Feb 26 2022

web between king solomon and the queen of sheba and their son menyelik who hid the ark of the covenant in ethiopia this edition of the ethiopian text is edited by gerald hausman

**queen of sheba dorr roberta kells 9780802409584** - Sep 23 2021

**the queen of sheba ebook shorts the loves of king solomon** - Apr 11 2023

web the queen of sheba ebook shorts the loves of king solomon book 4 ebook smith jill eileen amazon com au kindle store

*the queen of sheba ebook shorts the loves of king solomon* - Jun 01 2022

web the discovery of a ring given to the queen of sheba by king solomon himself launches this tale of romance and adventure from master storyteller henry rider haggard queen