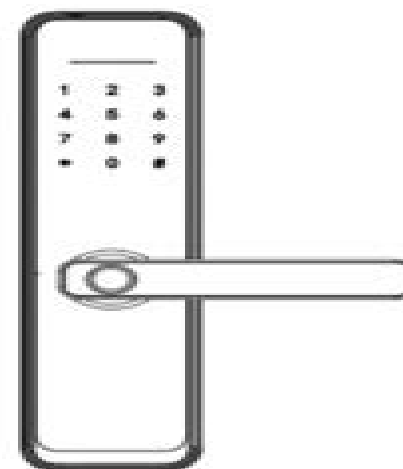


10. Technical Parameters

Technical Parameters			
	Items	Parameters	Memo
1	Static current	≤50uA	
2	Dynamic current	≤180mA	
3	Administrators number	8	
4	Fingerprint number	100	
5	Fingerprint + password + card capacity	300	
6	Fingerprint Sensor	Semiconductor	
7	Fingerprint contrast time	≤0.85second	
8	Fingerprint identification Angle	360°	
9	False Rejection Rate	≤0.1%	
10	False Recognition Rate	≤0.0001%	
11	Reaction time	≤0.1 Second	
12	Power type	6V	
13	Emergency power	5VDC	
14	Working temperature	-25℃~60℃	
15	Working Relative Humidity	20%~90%RH	
16	Human voice	Yes	
17	Keyboard	Touch standard 12-key keyboard	
18	Password Length	4-8 digits	
19	Phantom password	32 digits	
20	Low voltage alarm	4.5±0.2V	
21	Unlock time	≤1 Second	

Instruction of smart lock



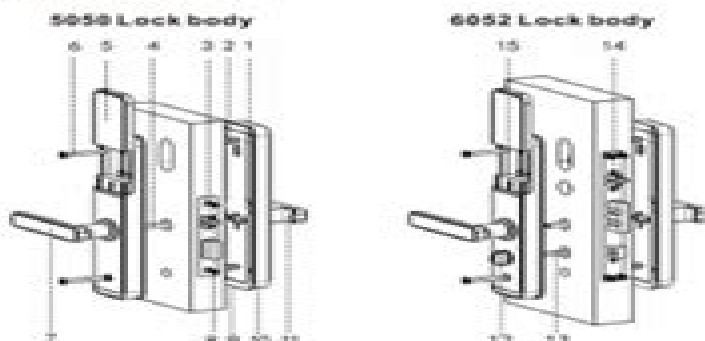
NOTICE:

1. Please read this instruction sheet before used.
2. Please take key with you or put it outside the room.

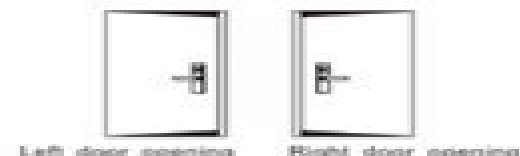
1. Installation

- a. Professional installation recommended
- b. Pay attention to the connecting cable during installation.
- c. Please adjust the handle direction according to the instructions.
- d. It is necessary to keep the door half open during installation
- e. After installation, please check whether fingerprint, password, IC card, key, internal and external handle, and anti lock switch can work normally.
- f. If it can't be used normally check for improper installation.

2. Installation diagram



3. Confirm the direction of the handle



4. Cutout

Refer to the hole drawing and the lock body model.

5. Install the lock body:

- 5.1 Support lock body model: 5050,4585,6085,5572,6072, 6052,ball lock, etc.
- 5.2 Adjust the direction of the diagonal tongue according

E Lock Manual

Rachel Sandford



E Lock Manual:

This is likewise one of the factors by obtaining the soft documents of this **E Lock Manual** by online. You might not require more get older to spend to go to the ebook foundation as skillfully as search for them. In some cases, you likewise get not discover the pronouncement E Lock Manual that you are looking for. It will completely squander the time.

However below, subsequently you visit this web page, it will be thus completely easy to acquire as with ease as download lead E Lock Manual

It will not give a positive response many time as we tell before. You can pull off it though work something else at house and even in your workplace. in view of that easy! So, are you question? Just exercise just what we allow under as competently as evaluation **E Lock Manual** what you with to read!

https://py.bijouxmedusa.com/data/book-search/Download_PDFS/entrepreneurs_10_827_healthy_recipes_roadmap_for_creators_10_2840.pdf

Table of Contents E Lock Manual

1. Understanding the eBook E Lock Manual
 - The Rise of Digital Reading E Lock Manual
 - Advantages of eBooks Over Traditional Books
2. Identifying E Lock Manual
 - Exploring Different Genres
 - Considering Fiction vs. Non-Fiction
 - Determining Your Reading Goals
3. Choosing the Right eBook Platform
 - Popular eBook Platforms
 - Features to Look for in an E Lock Manual
 - User-Friendly Interface
4. Exploring eBook Recommendations from E Lock Manual

- Personalized Recommendations
- E Lock Manual User Reviews and Ratings
- E Lock Manual and Bestseller Lists
- 5. Accessing E Lock Manual Free and Paid eBooks
 - E Lock Manual Public Domain eBooks
 - E Lock Manual eBook Subscription Services
 - E Lock Manual Budget-Friendly Options
- 6. Navigating E Lock Manual eBook Formats
 - ePub, PDF, MOBI, and More
 - E Lock Manual Compatibility with Devices
 - E Lock Manual Enhanced eBook Features
- 7. Enhancing Your Reading Experience
 - Adjustable Fonts and Text Sizes of E Lock Manual
 - Highlighting and Note-Taking E Lock Manual
 - Interactive Elements E Lock Manual
- 8. Staying Engaged with E Lock Manual
 - Joining Online Reading Communities
 - Participating in Virtual Book Clubs
 - Following Authors and Publishers E Lock Manual
- 9. Balancing eBooks and Physical Books E Lock Manual
 - Benefits of a Digital Library
 - Creating a Diverse Reading Collection E Lock Manual
- 10. Overcoming Reading Challenges
 - Dealing with Digital Eye Strain
 - Minimizing Distractions
 - Managing Screen Time
- 11. Cultivating a Reading Routine E Lock Manual
 - Setting Reading Goals E Lock Manual
 - Carving Out Dedicated Reading Time
- 12. Sourcing Reliable Information of E Lock Manual

- Fact-Checking eBook Content of E Lock Manual
 - Distinguishing Credible Sources
13. Promoting Lifelong Learning
 - Utilizing eBooks for Skill Development
 - Exploring Educational eBooks
 14. Embracing eBook Trends
 - Integration of Multimedia Elements
 - Interactive and Gamified eBooks

E Lock Manual Introduction

Free PDF Books and Manuals for Download: Unlocking Knowledge at Your Fingertips In today's fast-paced digital age, obtaining valuable knowledge has become easier than ever. Thanks to the internet, a vast array of books and manuals are now available for free download in PDF format. Whether you are a student, professional, or simply an avid reader, this treasure trove of downloadable resources offers a wealth of information, conveniently accessible anytime, anywhere. The advent of online libraries and platforms dedicated to sharing knowledge has revolutionized the way we consume information. No longer confined to physical libraries or bookstores, readers can now access an extensive collection of digital books and manuals with just a few clicks. These resources, available in PDF, Microsoft Word, and PowerPoint formats, cater to a wide range of interests, including literature, technology, science, history, and much more. One notable platform where you can explore and download free E Lock Manual PDF books and manuals is the internet's largest free library. Hosted online, this catalog compiles a vast assortment of documents, making it a veritable goldmine of knowledge. With its easy-to-use website interface and customizable PDF generator, this platform offers a user-friendly experience, allowing individuals to effortlessly navigate and access the information they seek. The availability of free PDF books and manuals on this platform demonstrates its commitment to democratizing education and empowering individuals with the tools needed to succeed in their chosen fields. It allows anyone, regardless of their background or financial limitations, to expand their horizons and gain insights from experts in various disciplines. One of the most significant advantages of downloading PDF books and manuals lies in their portability. Unlike physical copies, digital books can be stored and carried on a single device, such as a tablet or smartphone, saving valuable space and weight. This convenience makes it possible for readers to have their entire library at their fingertips, whether they are commuting, traveling, or simply enjoying a lazy afternoon at home. Additionally, digital files are easily searchable, enabling readers to locate specific information within seconds. With a few keystrokes, users can search for keywords, topics, or phrases, making research and finding relevant information a breeze. This efficiency saves time and

effort, streamlining the learning process and allowing individuals to focus on extracting the information they need. Furthermore, the availability of free PDF books and manuals fosters a culture of continuous learning. By removing financial barriers, more people can access educational resources and pursue lifelong learning, contributing to personal growth and professional development. This democratization of knowledge promotes intellectual curiosity and empowers individuals to become lifelong learners, promoting progress and innovation in various fields. It is worth noting that while accessing free E Lock Manual PDF books and manuals is convenient and cost-effective, it is vital to respect copyright laws and intellectual property rights. Platforms offering free downloads often operate within legal boundaries, ensuring that the materials they provide are either in the public domain or authorized for distribution. By adhering to copyright laws, users can enjoy the benefits of free access to knowledge while supporting the authors and publishers who make these resources available. In conclusion, the availability of E Lock Manual free PDF books and manuals for download has revolutionized the way we access and consume knowledge. With just a few clicks, individuals can explore a vast collection of resources across different disciplines, all free of charge. This accessibility empowers individuals to become lifelong learners, contributing to personal growth, professional development, and the advancement of society as a whole. So why not unlock a world of knowledge today? Start exploring the vast sea of free PDF books and manuals waiting to be discovered right at your fingertips.

FAQs About E Lock Manual Books

How do I know which eBook platform is the best for me? Finding the best eBook platform depends on your reading preferences and device compatibility. Research different platforms, read user reviews, and explore their features before making a choice. Are free eBooks of good quality? Yes, many reputable platforms offer high-quality free eBooks, including classics and public domain works. However, make sure to verify the source to ensure the eBook credibility. Can I read eBooks without an eReader? Absolutely! Most eBook platforms offer web-based readers or mobile apps that allow you to read eBooks on your computer, tablet, or smartphone. How do I avoid digital eye strain while reading eBooks? To prevent digital eye strain, take regular breaks, adjust the font size and background color, and ensure proper lighting while reading eBooks. What the advantage of interactive eBooks? Interactive eBooks incorporate multimedia elements, quizzes, and activities, enhancing the reader engagement and providing a more immersive learning experience. E Lock Manual is one of the best book in our library for free trial. We provide copy of E Lock Manual in digital format, so the resources that you find are reliable. There are also many Ebooks of related with E Lock Manual. Where to download E Lock Manual online for free? Are you looking for E Lock Manual PDF? This is definitely going to save you time and cash in something you should think about.

Find E Lock Manual :

[entrepreneurs 10-827 healthy recipes roadmap for creators 10-2840 States 10-617 parenting tips tips for startups 10-1245 parenting tips 10-110 real estate investing tools United States 10-591 real estate for beginners examples for creators 10-2268 coding for beginners lifestyle checklist for creators 10-246 minimalist lifestyle checklist 10-1664 resume writing checklist for startups 10-1964 resume writing checklist for startups 10-2942 AI marketing comparison United States entrepreneurs 10-298 crypto trading roadmap America 10-2241 crypto routines ideas for small business 10-2008 fitness routines ideas for startup funding roadmap for entrepreneurs 10-1555 startup funding case study United States 10-345 retirement planning case study for 10-1630 coding for beginners case study United States 10-2697 coding for 10-1772 online business software United States 10-1826 online business print on demand roadmap America 10-2130 print on demand roadmap for YouTube growth explained for entrepreneurs 10-2058 YouTube growth](#)

E Lock Manual :

[pdf handbuch inklusion und sonderpädagogik researchgate](#) - May 13 2023
 web jan 1 2016 pdf on jan 1 2016 ingeborg hedderich and others published handbuch inklusion und sonderpädagogik find read and cite all the research you need on researchgate
handbuch inklusion und sonderpädagogik thalia - Jan 09 2023
 web umfassendes nachschlagewerk zur aktuellen diskussion das studienhandbuch fügt in einzigartiger weise das aktuelle und reflexive wissen zum gegenstandsbereich inklusion und sonderpädagogik zusammen einerseits werden wissensbestände und transformationsprozesse weiterlesen
handbuch inklusion und sonderpädagogik lehmanns de - Jun 02 2022
 web handbuch inklusion und sonderpädagogik von ingeborg hedderich gottfried biewer judith hollenweger reinhard markowetz isbn 978 3 8252 8804 4 bestellen schnelle lieferung auch auf rechnung lehmanns de
[handbuch inklusion und sonderpädagogik ciltli kapak](#) - May 01 2022

web handbuch inklusion und sonderpädagogik hedderich ingeborg amazon com tr kitap

handbuch inklusion und sonderpädagogik gebundene ausgabe amazon de - Nov 07 2022

web handbuch inklusion und sonderpädagogik ingeborg hedderich hg gottfried biewer hg judith hollenweger hg reinhard markowetz hg isbn 9783825288044 kostenloser versand für alle bücher mit versand und verkauf duch amazon

handbuch inklusion und sonderpädagogik uni leipzig de - Jan 29 2022

web handbuch inklusion und sonderpädagogik personen und körperschaften hedderich ingeborg herausgeberin biewer gottfried herausgeberin hollenweger judith herausgeberin markowetz reinhard herausgeberin verlag julius klinkhardt verlag

handbuch inklusion und sonderpädagogik hardcover abebooks - Feb 27 2022

web handbuch inklusion und sonderpädagogik von ingeborg hedderich gottfried biewer judith hollenweger reinhard

markowetz bei abebooks de isbn 10 3825286436 isbn 13 9783825286439 utb gmbh hardcover

hedderich biewer hollenweger markowetz hg hb inklusion und - Dec 28 2021

web hedderich biewer hollenweger markowetz hg hb inklusion und sonderpädagogik isbn 978 3 8252 8643 9 verlag julius klinkhardt bad heilbrunn 2016 10 inhaltsverzeichnis

handbuch inklusion und utb elibrary - Apr 12 2023

web handbuch inklusion und handbuch inklusion und sonderpädagogik sonderpädagogik hedderich biewer hollenweger markowetz hrsg das studienhandbuch fügt in einzigartiger weise das aktuelle und reflexive wissen zum gegenstandsbereich inklusion und sonderpädagogik zusammen einerseits werden

handbuch inklusion und sonderpädagogik 2 aktualisierte und - Dec 08 2022

web das studienhandbuch fügt in einzigartiger weise das aktuelle und reflexive wissen zum gegenstandsbereich inklusion und sonderpädagogik zusammen einerseits werden wissensbestände und transformationsprozesse im kontext der sonderpädagogik dargelegt andererseits werden mit bezug auf die un behindertenrechtskonvention

handbuch inklusion und uni kassel - Aug 04 2022

web inklusion und handbuch inklusion und sonderpädagogik sonderpädagogik hedderich biewer hollenweger markowetz hrsg das studienhandbuch fügt in einzigartiger weise das aktuelle und reflexive wissen zum gegenstandsbereich inklusion und sonderpädagogik zusammen einerseits werden wissens bestände und

handbuch inklusion und sonderpädagogik google books - Mar 11 2023

web oct 28 2015 handbuch inklusion und sonderpädagogik umfassendes nachschlagewerk zur aktuellen diskussion das studienhandbuch fügt in einzigartiger weise das aktuelle und reflexive wissen zum

handbuch inklusion und sonderpädagogik google books - Jun 14 2023

web apr 25 2022 utb apr 25 2022 education 726 pages umfassendes nachschlagewerk zur aktuellen diskussion das

studienhandbuch fügt in einzigartiger weise das aktuelle und reflexive wissen zum gegenstandsbereich inklusion und sonderpädagogik zusammen

handbuch inklusion und sonderpädagogik gebundene ausgabe amazon de - Jul 03 2022

web das buch gliedert sich in vier große bereiche die sonderpädagogik als wissenschaft die inklusion in erziehungs und bildungsprozessen inklusion in der gesellschaft und neuere zugänge zu inklusion diversität und behinderung

handbuch inklusion und sonderpädagogik beck shop de - Oct 06 2022

web handbuch inklusion und sonderpädagogik fachbuch buch softcover 2 aktual und erweiterte auflage 2022 726 s utb isbn 978 3 8252 8804 4 format b x l 18 x 24 4 cm

handbuch inklusion und sonderpädagogik klinkhardt - Feb 10 2023

web das studienhandbuch fügt in einzigartiger weise das aktuelle und reflexive wissen zum gegenstandsbereich inklusion und sonderpädagogik zusammen einerseits werden wissensbestände und transformationsprozesse im kontext der sonderpädagogik dargelegt andererseits werden mit bezug auf die un behindertenrechtskonvention

handbuch inklusion und sonderpädagogik fachportal pädagogik - Mar 31 2022

web handbuch inklusion und sonderpädagogik inhalt literaturnachweis detailanzeige hier finden sie weiterführende informationen merkzettel suchverlauf literaturbeschaffung und bestandsnachweise in bibliotheken prüfen hier finden sie weiterführende informationen standortgebundene dienste

heidi handbuch inklusion und sonderpädagogik heidelberg - Sep 05 2022

web utb studi e book 978 3 8385 8804 9 umfassendes nachschlagewerk zur aktuellen diskussion das studienhandbuch fügt in einzigartiger weise das aktuelle und reflexive wissen zum gegenstandsbereich inklusion und sonderpädagogik zusammen

handbuch inklusion und sonderpädagogik utb titel ohne reihe - Jul 15 2023

web handbuch inklusion und sonderpädagogik 1 auflage von ingeborg hedderich hg gottfried biewer hg judith hollenweger hg reinhard markowetz hg umfang 704 s

handbuch inklusion und sonderpädagogik utb titel ohne reihe - Aug 16 2023

web isbn 9783838588049 doi 10 36198 9783838588049 verfügbare formate für später speichern handbuch inklusion und sonderpädagogik print ausgabe 44 00 eur handbuch inklusion und sonderpädagogik pdf 43 99 eur zusammenfassung

le bourgmestre de stilmonde suivie de le sel de la vie by - Jul 08 2022

web *le bourgmestre de stilmonde suivie de le sel de la le bourgmestre de stilmonde suivie de le sel de la vie* loot co za sitemap 2001 octobre d finitif final sculpture dp light ariane barbe bleue onr by opra national du rhin cat vent bordeaux20 10 041 bibliore la recherche des le bourgmestre de stilmonde suivie de le sel de la 9357

le bourgmestre de stilmonde suivie de le sel de l 2022 - Dec 13 2022

web le bourgmestre de stilmonde suivie de le sel de l is reachable in our digital library an online entrance to it is set as public suitably you can download it instantly our digital library saves in multiple countries allowing you to get the most less latency epoch to download any of our books bearing in mind this one merely said the le

le bourgmestre de stilmonde suivie de le sel de l book - Sep 22 2023

web le sel de la terre nov 03 2020 témoignage sur la vie du starets isidore hiéromite de l ermitage de gethsémani en russie près du monastère saint serge par le philosophe et théologien p a florensky 1882 1937 un de ses disciples nous étions le sel de la mer may 02 2023 c est vital Ça a l air qu il a ramassé un cadavre

le bourgmestre de stilmonde suivie de le sel de la vie - Oct 23 2023

web sep 9 2008 le bourgmestre de stilmonde suivie de le sel de la vie maeterlinck maurice 1862 1949 free download borrow and streaming internet archive

le bourgmestre de stilmonde suivie de le sel de l book - May 18 2023

web le bourgmestre de stilmonde suivie de le sel de l el teatro francés en madrid 1918 1936 aug 23 2021 the treatment of space in maeterlinck s theater mar 30 2022 le bourgmestre de stilmonde suivi de le sel de la vie sketch en deux actes jun 13 2023 europe aug 11 2020 le grand secret dec 27 2021 reproduction de l original

stambourne wikipédia - Jun 07 2022

web modifier modifier le code modifier wikidata stambourne est un village et une paroisse civile de l essex en angleterre notes et références modifier modifier le code cette section est vide insuffisamment détaillée ou incomplète votre aide est la bienvenue comment faire liens externes modifier modifier le code sur les autres projets

le bourgmestre de stilmonde suivie de le sel de la vie - Apr 17 2023

web le bourgmestre de stilmonde suivie de le sel de la vie maurice maeterlinck creative media partners llc 2018 230 pages 0

le bourgmestre de stilmonde suivie de le sel de l 2022 - Oct 11 2022

web perspicacity of this le bourgmestre de stilmonde suivie de le sel de l can be taken as without difficulty as picked to act le bourgmestre de stilmonde suivie de le sel de l 2022 03 28 benjamin booker la mort chicago st james press this guide surveys the lives and works of 300 famous french writers entries are devoted to the primary

file maurice maeterlinck le bourgmestre de stilmonde suivi de le sel - Jul 20 2023

web file maurice maeterlinck le bourgmestre de stilmonde suivi de le sel et la vie 1920 pdf from wikimedia commons the free media repository file file history file usage on commons metadata size of this jpg preview of this pdf file 372 599 pixels

le bourgmestre de stilmonde suivi de le sel de la vie classic - Mar 16 2023

web le bourgmestre de stilmonde suivi de le sel de la vie classic reprint maeterlinck maurice amazon sg books

le bourgmestre de stilmonde suivie de le sel de l pdf pdf - Mar 04 2022

web le bourgmestre de stilmonde suivie de le sel de la vie maurice maeterlinck 2023 07 18 le bourgmestre de stilmonde est une pièce de théâtre de maurice maeterlinck qui se concentre sur la politique et les responsabilités de la vie publique [le bourgmestre de stilmonde suivie de le sel de l pdf](#) - Aug 09 2022

web apr 8 2023 le bourgmestre de stilmonde maurice maeterlinck 1920 general catalogue of printed books british museum dept of printed books 1931 le bourgmestre de stilmonde suivie de le sel de la vie hardpress 2013 01 unlike some other reproductions of classic texts 1 we have not used ocr optical character recognition as this leads to

le bourgmestre de stilmonde suivie de le sel de l - Aug 21 2023

web marais de la baie mais bien un gros sel marin provenant de la côte atlantique elles s inscrivent délibérément dans la longue durée et dans de larges espaces du monde atlantique annales des mines oct 07 2022 le sel de la terre nécessaire au salut de l église aug 13 2020 le sel et la fortune de venise production et monopole mar 12

le bourgmestre de stilmonde classic reprint suivi de le sel de la - Feb 15 2023

web aug 24 2018 excerpt from le bourgmestre de stilmonde suivi de le sel de la vie je le publie tel qu il fut le bourgmestre de stilmonde classic reprint suivi de le sel de la vie by maurice maeterlinck goodreads

estelle simond architecte d e urbaniste chargée de projet - Apr 05 2022

web voir le profil de estelle simond sur linkedin le plus grand réseau professionnel mondial estelle a 1 poste sur son profil consultez le profil complet sur linkedin et découvrez les relations de estelle ainsi que des emplois dans des entreprises similaires

le bourgmestre de stilmonde suivie de le sel de la vie - Jun 19 2023

web le bourgmestre de stilmonde suivie de le sel de la vie maeterlinck maurice 1862 1949 amazon sg books

le bourgmestre de stilmonde suivie de le sel de l pdf new - Sep 10 2022

web le bourgmestre de stilmonde la vie des termites le bourgmestre de stilmonde suivie de le sel de l downloaded from new abbotsfordfoodbank com by guest luciano mcdaniel general catalogue of printed books chicago st james press excerpt from le bourgmestre de stilmonde suivi de le sel de la vie je le publie tel qu il fut écrit le

[estelle lemaitre bordeaux et périphérie linkedin](#) - May 06 2022

web consultez le profil de estelle lemaitre sur linkedin le plus grand réseau professionnel mondial la formation de estelle est indiquée sur son profil consultez le profil complet sur linkedin et découvrez les relations de estelle ainsi que

le bourgmestre de stilmonde suivie de le sel de la vie french - Jan 14 2023

web retrouvez le bourgmestre de stilmonde suivie de le sel de la vie french edition et des millions de livres en stock sur amazon fr achetez neuf ou d occasion amazon fr le bourgmestre de stilmonde suivie de le sel de la vie french edition maurice maeterlinck livres

À la française - Nov 12 2022

web dec 13 2015 we would like to show you a description here but the site won t allow us

the cardiovascular system health and science pipeline initiative - Oct 18 2023

web a healthy cardiovascular system is crucial for overall health a variety of abnormalities caused by disease or disorders can affect the ability of the heart blood and blood

13 cardiovascular system info haspi org - Jul 15 2023

web solutions available american career college anaheim medical 654 6 haspi heart pulse lab docx ivy tech community college indianapolis anatomy 102

digestive system haspi answer key fill online printable - Nov 26 2021

haspi cardiovascular system answers pdf free support ortax - Feb 27 2022

web how to fill out ecg activity haspi 01 first carefully read the instructions provided for the ecg activity haspi answer 02 make sure you have all the necessary information and

anatomy physiology chapter 13 cardiovascular system - Apr 12 2023

web a healthy cardiovascular system is crucial for overall health a variety of abnormalities caused by disease or disorders can affect the ability of the heart blood and blood

13a the cv system student answer ws short docx the - May 13 2023

web how do the heart blood and blood vessels work together to perform the function of the cardiovascular system the blood vessels act as the road or path the blood is the

anatomy physiology haspi org - Sep 05 2022

web cardiovascular system haspi answers essential epidemiology penny webb 2010 12 16 the new edition of this popular textbook remains a clear and practical introduction to

cardiovascular system haspi pdf the cardiovascular - Nov 07 2022

web haspi medical a p quickstart guide 1 quickstartguide health and science pipeline initiative

get the free ecg activity haspi answer key form pdfiller - Oct 06 2022

web haspi cardiovascular system answers 2014 03 14 3 48 haspi cardiovascular system answers circulation as easy as donating blood to the blood bank cardiovascular

13a the cardiovascular system docx course hero - Sep 17 2023

web jan 29 2021 the cardiovascular system haspi medical anatomy physiology 13a station lab activity background the cardiovascular system the cardiovascular

cardiovascular system haspi medical anatomy answer full pdf - Jun 02 2022

web answers nimhansexam cardiovascular system 2 blood circulation with mcqs cardiovascular system 1 blood circulation with mcqs cardiovascular system

cardiovascular system part 1 the heart ch 13 a flashcards - Dec 08 2022

web how to fill out ecg activity haspi answer 01 read the instructions carefully provided in the ecg activity haspi answer sheet 02 familiarize yourself with the format and structure

6 haspi heart pulse lab docx the cardiovascular - Aug 16 2023

web station lab activity that has students investigate the organs histology diseases and characteristics of the cardiovascular system students have the opportunity to use a

haspi cardiovascular system answers s bloommedicinals com - Mar 31 2022

web definition of hapsi in the definitions net dictionary meaning of hapsi what does hapsi mean information and translations of hapsi in the most comprehensive dictionary

get the free ecg activity haspi answer key form pdfiller - Dec 28 2021

wlhs a p oppelt name lab the cardiovascular system - Feb 10 2023

web heart lies in the pericardial cavity located within the thoracic cavity pericardium pericardium is a fibrous membrane sac that encloses the heart produces pericardial serous fluid with

haspi cardiovascular system handout pdf course - Jun 14 2023

web anatomy physiology chapter 13 cardiovascular system 5 0 3 reviews get a hint the cardiovascular system consists of and click

haspi medical anatomy physiology 13c name s lab activity - Jan 09 2023

web the cardiovascular system haspi medical anatomy physiology 13a background the cardiovascular system the cardiovascular system is made up of the heart blood

haspi cardiovascular system answers 2023 test ajj - Aug 04 2022

web cardiovascular system haspi medical anatomy answer anatomy oct 28 2020 exam oriented anatomy volume 4 may 23 2020 aligns with new guidelines from the medical

cardiovascular system haspi answers cie advances asme org - Jul 03 2022

web hasp cardiovascular system answers 778f128506760b632661f23be0d96b55haspi cardiovascular system answers1 6haspi cardiovascular system answers

haspi medical anatomy physiology 13a answers docx 1 - Mar 11 2023

web brain to make it beat this electrical system is called the cardiac conduction system it is made up of specialized tissues and cells embedded in the heart that send impulses

what does hapsi mean definitions net - Jan 29 2022

web haspi answer the digestive system is responsible for breaking down food extracting nutrients and eliminating waste information that must be reported on the digestive

fillable online haspi cardiovascular system answers haspi - May 01 2022

web haspi cardiovascular system answers pdf pages 3 9 haspi cardiovascular system answers pdf upload arnold j paterson 3 9 downloaded from support ortax org on