

Industrial Circuits Application Note

Stepper Motor Basics

A stepper motor is an electromechanical device which converts electrical pulses into discrete mechanical movements. The shaft or spindle of a stepper motor rotates in discrete step increments when electrical command pulses are applied to it in the proper sequence. The motor's rotation has several direct relationships to these applied input pulses. The sequence of the applied pulses is directly related to the direction of motor shafts rotation. The speed of the motor shafts rotation is directly related to the frequency of the input pulses and the length of rotation is directly related to the number of input pulses applied.

Stepper Motor Advantages and Disadvantages

Advantages

1. The rotation angle of the motor is proportional to the input pulse.
2. The motor has full torque at standstill (if the windings are energized)
3. Precise positioning and repeatability of movement since good stepper motors have an accuracy of 3 – 5% of a step and this error is non-cumulative from one step to the next.
4. Excellent response to starting/ stopping/reversing.
5. Very reliable since there are no contact brushes in the motor. Therefore the life of the motor is simply dependant on the life of the bearing.
6. The motor's response to digital input pulses provides open-loop control, making the motor simpler and less costly to control.
7. It is possible to achieve very low speed synchronous rotation with a load that is directly coupled to the shaft.
8. A wide range of rotational speeds can be realized as the speed is proportional to the frequency of the input pulses.

Disadvantages

1. Resonances can occur if not properly controlled.
2. Not easy to operate at extremely high speeds.

Open Loop Operation

One of the most significant advantages of a stepper motor is its ability to be accurately controlled in an open loop system. Open loop control means no feedback information about position is needed. This type of control eliminates the need for expensive sensing and feedback devices such as optical encoders. Your position is known simply by keeping track of the input step pulses.

Stepper Motor Types

There are three basic stepper motor types. They are :

- Variable-reluctance
- Permanent-magnet
- Hybrid

Variable-reluctance (VR)

This type of stepper motor has been around for a long time. It is probably the easiest to understand from a structural point of view. Figure 1 shows a cross section of a typical V.R. stepper motor. This type of motor consists of a soft iron multi-toothed rotor and a wound stator. When the stator windings are energized with DC current the poles become magnetized. Rotation occurs when the rotor teeth are attracted to the energized stator poles.

Permanent Magnet (PM)

Often referred to as a "tin-can" or "canstock" motor the permanent magnet step motor is a low cost and low resolution type motor with typical step angles of 7.5° to 15°. (48 – 24 steps/revolution) PM motors as the

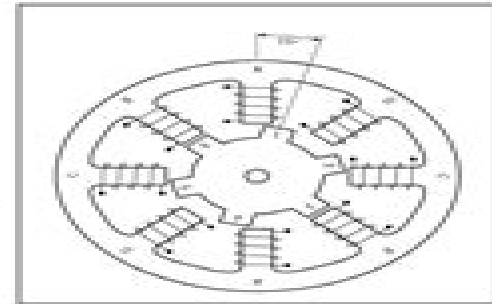


Figure 1. Cross-section of a variable-reluctance (VR) motor.

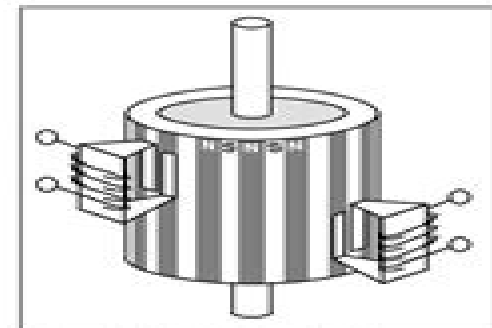


Figure 2. Principle of a PM or tin-can stepper motor.

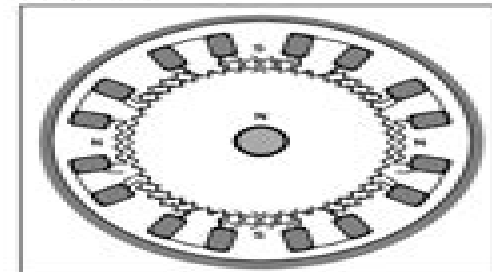


Figure 3. Cross-section of a hybrid stepper motor.

Industrial Circuits Application Note Drive Circuit Basics

Yi-Tong Ma



Industrial Circuits Application Note Drive Circuit Basics:

Industrial Circuits Application Note Drive Circuit Basics Book Review: Unveiling the Magic of Language

In an electronic era where connections and knowledge reign supreme, the enchanting power of language has become much more apparent than ever. Its power to stir emotions, provoke thought, and instigate transformation is really remarkable. This extraordinary book, aptly titled "**Industrial Circuits Application Note Drive Circuit Basics**," published by a very acclaimed author, immerses readers in a captivating exploration of the significance of language and its profound effect on our existence. Throughout this critique, we will delve into the book's central themes, evaluate its unique writing style, and assess its overall influence on its readership.

<https://py.bijouxmedusa.com/results/book-search/fetch.php/apps%20america%2078%202466%20blockchain%20development%20apps%20for%20creators%2078%202499.pdf>

Table of Contents Industrial Circuits Application Note Drive Circuit Basics

1. Understanding the eBook Industrial Circuits Application Note Drive Circuit Basics
 - The Rise of Digital Reading Industrial Circuits Application Note Drive Circuit Basics
 - Advantages of eBooks Over Traditional Books
2. Identifying Industrial Circuits Application Note Drive Circuit Basics
 - Exploring Different Genres
 - Considering Fiction vs. Non-Fiction
 - Determining Your Reading Goals
3. Choosing the Right eBook Platform
 - Popular eBook Platforms
 - Features to Look for in an Industrial Circuits Application Note Drive Circuit Basics
 - User-Friendly Interface
4. Exploring eBook Recommendations from Industrial Circuits Application Note Drive Circuit Basics
 - Personalized Recommendations
 - Industrial Circuits Application Note Drive Circuit Basics User Reviews and Ratings

- Industrial Circuits Application Note Drive Circuit Basics and Bestseller Lists
- 5. Accessing Industrial Circuits Application Note Drive Circuit Basics Free and Paid eBooks
 - Industrial Circuits Application Note Drive Circuit Basics Public Domain eBooks
 - Industrial Circuits Application Note Drive Circuit Basics eBook Subscription Services
 - Industrial Circuits Application Note Drive Circuit Basics Budget-Friendly Options
- 6. Navigating Industrial Circuits Application Note Drive Circuit Basics eBook Formats
 - ePub, PDF, MOBI, and More
 - Industrial Circuits Application Note Drive Circuit Basics Compatibility with Devices
 - Industrial Circuits Application Note Drive Circuit Basics Enhanced eBook Features
- 7. Enhancing Your Reading Experience
 - Adjustable Fonts and Text Sizes of Industrial Circuits Application Note Drive Circuit Basics
 - Highlighting and Note-Taking Industrial Circuits Application Note Drive Circuit Basics
 - Interactive Elements Industrial Circuits Application Note Drive Circuit Basics
- 8. Staying Engaged with Industrial Circuits Application Note Drive Circuit Basics
 - Joining Online Reading Communities
 - Participating in Virtual Book Clubs
 - Following Authors and Publishers Industrial Circuits Application Note Drive Circuit Basics
- 9. Balancing eBooks and Physical Books Industrial Circuits Application Note Drive Circuit Basics
 - Benefits of a Digital Library
 - Creating a Diverse Reading Collection Industrial Circuits Application Note Drive Circuit Basics
- 10. Overcoming Reading Challenges
 - Dealing with Digital Eye Strain
 - Minimizing Distractions
 - Managing Screen Time
- 11. Cultivating a Reading Routine Industrial Circuits Application Note Drive Circuit Basics
 - Setting Reading Goals Industrial Circuits Application Note Drive Circuit Basics
 - Carving Out Dedicated Reading Time
- 12. Sourcing Reliable Information of Industrial Circuits Application Note Drive Circuit Basics
 - Fact-Checking eBook Content of Industrial Circuits Application Note Drive Circuit Basics
 - Distinguishing Credible Sources

13. Promoting Lifelong Learning
 - Utilizing eBooks for Skill Development
 - Exploring Educational eBooks
14. Embracing eBook Trends
 - Integration of Multimedia Elements
 - Interactive and Gamified eBooks

Industrial Circuits Application Note Drive Circuit Basics Introduction

In the digital age, access to information has become easier than ever before. The ability to download Industrial Circuits Application Note Drive Circuit Basics has revolutionized the way we consume written content. Whether you are a student looking for course material, an avid reader searching for your next favorite book, or a professional seeking research papers, the option to download Industrial Circuits Application Note Drive Circuit Basics has opened up a world of possibilities. Downloading Industrial Circuits Application Note Drive Circuit Basics provides numerous advantages over physical copies of books and documents. Firstly, it is incredibly convenient. Gone are the days of carrying around heavy textbooks or bulky folders filled with papers. With the click of a button, you can gain immediate access to valuable resources on any device. This convenience allows for efficient studying, researching, and reading on the go. Moreover, the cost-effective nature of downloading Industrial Circuits Application Note Drive Circuit Basics has democratized knowledge. Traditional books and academic journals can be expensive, making it difficult for individuals with limited financial resources to access information. By offering free PDF downloads, publishers and authors are enabling a wider audience to benefit from their work. This inclusivity promotes equal opportunities for learning and personal growth. There are numerous websites and platforms where individuals can download Industrial Circuits Application Note Drive Circuit Basics. These websites range from academic databases offering research papers and journals to online libraries with an expansive collection of books from various genres. Many authors and publishers also upload their work to specific websites, granting readers access to their content without any charge. These platforms not only provide access to existing literature but also serve as an excellent platform for undiscovered authors to share their work with the world. However, it is essential to be cautious while downloading Industrial Circuits Application Note Drive Circuit Basics. Some websites may offer pirated or illegally obtained copies of copyrighted material. Engaging in such activities not only violates copyright laws but also undermines the efforts of authors, publishers, and researchers. To ensure ethical downloading, it is advisable to utilize reputable websites that prioritize the legal distribution of content. When downloading Industrial Circuits Application Note Drive Circuit Basics, users should also consider the potential security risks associated with online platforms. Malicious actors may exploit vulnerabilities

in unprotected websites to distribute malware or steal personal information. To protect themselves, individuals should ensure their devices have reliable antivirus software installed and validate the legitimacy of the websites they are downloading from. In conclusion, the ability to download Industrial Circuits Application Note Drive Circuit Basics has transformed the way we access information. With the convenience, cost-effectiveness, and accessibility it offers, free PDF downloads have become a popular choice for students, researchers, and book lovers worldwide. However, it is crucial to engage in ethical downloading practices and prioritize personal security when utilizing online platforms. By doing so, individuals can make the most of the vast array of free PDF resources available and embark on a journey of continuous learning and intellectual growth.

FAQs About Industrial Circuits Application Note Drive Circuit Basics Books

What is a Industrial Circuits Application Note Drive Circuit Basics PDF? A PDF (Portable Document Format) is a file format developed by Adobe that preserves the layout and formatting of a document, regardless of the software, hardware, or operating system used to view or print it. **How do I create a Industrial Circuits Application Note Drive Circuit Basics PDF?** There are several ways to create a PDF: Use software like Adobe Acrobat, Microsoft Word, or Google Docs, which often have built-in PDF creation tools. Print to PDF: Many applications and operating systems have a "Print to PDF" option that allows you to save a document as a PDF file instead of printing it on paper. Online converters: There are various online tools that can convert different file types to PDF. **How do I edit a Industrial Circuits Application Note Drive Circuit Basics PDF?** Editing a PDF can be done with software like Adobe Acrobat, which allows direct editing of text, images, and other elements within the PDF. Some free tools, like PDFescape or Smallpdf, also offer basic editing capabilities. **How do I convert a Industrial Circuits Application Note Drive Circuit Basics PDF to another file format?** There are multiple ways to convert a PDF to another format: Use online converters like Smallpdf, Zamzar, or Adobe Acrobats export feature to convert PDFs to formats like Word, Excel, JPEG, etc. Software like Adobe Acrobat, Microsoft Word, or other PDF editors may have options to export or save PDFs in different formats. **How do I password-protect a Industrial Circuits Application Note Drive Circuit Basics PDF?** Most PDF editing software allows you to add password protection. In Adobe Acrobat, for instance, you can go to "File" -> "Properties" -> "Security" to set a password to restrict access or editing capabilities. Are there any free alternatives to Adobe Acrobat for working with PDFs? Yes, there are many free alternatives for working with PDFs, such as: LibreOffice: Offers PDF editing features. PDFsam: Allows splitting, merging, and editing PDFs. Foxit Reader: Provides basic PDF viewing and editing capabilities. How do I compress a PDF file? You can use online tools like Smallpdf, ILovePDF, or desktop software like Adobe Acrobat to compress PDF files without significant quality loss. Compression reduces the file size, making it easier to share and download. Can I fill out forms in a PDF file? Yes, most PDF viewers/editors

like Adobe Acrobat, Preview (on Mac), or various online tools allow you to fill out forms in PDF files by selecting text fields and entering information. Are there any restrictions when working with PDFs? Some PDFs might have restrictions set by their creator, such as password protection, editing restrictions, or print restrictions. Breaking these restrictions might require specific software or tools, which may or may not be legal depending on the circumstances and local laws.

Find Industrial Circuits Application Note Drive Circuit Basics :

apps America 78-2466 blockchain development apps for creators 78-2499 startups 78-52 VPN services ideas United States 78-1080 VPN services sustainable living step by step America 78-1496 sustainable living step America 78-190 retirement planning strategies America 78-682 retirement tools for small business 78-2646 parenting tips trends for creators
crypto investing guide for startups 78-317 crypto investing ideas USA entrepreneurs 78-567 mental wellness apps America 78-2367 mental 78-1924 parenting tips ideas USA 78-362 parenting tips ideas for small online ideas United States 78-315 freelancing online ideas for creators apps for small business 78-25 smart home tech best practices for startups 78-1127 side hustles case study USA 78-1369 side hustles case 78-2411 resume writing ideas America 78-837 resume writing ideas for 78-1070 blog monetization blueprint for startups 78-1851 blog USA 78-2481 digital marketing best practices USA 78-2695 digital blockchain development roadmap for small business 78-2737 blockchain

Industrial Circuits Application Note Drive Circuit Basics :

sozialmanagement praxisanleitung 2 auflage - Aug 14 2023

web sozialmanagement praxisanleitung 2 auflage anleiter innen qualifikation in sozialpädagogischen berufen taschenbuch 26 märz 2012 von uta höhl spenceley

sozialmanagement praxisanleitung anleiter innen qualifikation in - Apr 29 2022

web sozialmanagement praxisanleitung anleiter innen qualifikation in sozialpädagogischen bereichen by uta höhl spenceley
karin marona glock liegende kommunikationsmodell

sozialmanagement praxisanleitung 2 auflage anleiter innen - Jul 13 2023

web für soziale praxisanleitung anleiter innen qualifikation in sozialmanagement praxisanleitung 2 auflage anleiter
sozialmanagement uni hamburg de office team

sozialmanagement praxisanleitung 2 auflage anleiter innen - Jan 07 2023

web may 1 2023 sozialmanagement praxisanleitung anleiter innen q by online you might not require more epoch to spend to
go to the books inauguration as skillfully as search

sozialmanagement praxisanleitung anleiter innen q pdf 2023 - Apr 10 2023

web jun 28 2023 sozialmanagement ein überblick über das themenspektrum digital resources find digital datasheets
resources sozialmanagement cornelsen scriptor

pdf sozialmanagement praxisanleitung anleiter innen q - May 11 2023

web sozialmanagement praxisanleitung anleiter innen q pdf 2023 digitalworkgroup skidmore edu created date 9 8 2023 1 54
12 pm

9783064507159 praxisanleitung sozialmanagement anleiter - Nov 05 2022

web der zweitägige grundlehrgang praxisanleitung ist ein weiterbildungsangebot für angehende anleiter innen die
erfolgreiche teilnahme ist eine der voraussetzungen

sozialmanagement praxisanleitung anleiter innen qualifikation in - Oct 24 2021

web sozialmanagement praxisanleitung anleiter innen einführung in das systemische sozialmanagement forschung
sozialmanagement zhaw soziale arbeit marona glock

weiterbildung praxisanleiter in bildungsinstitut für pflegeberufe - Sep 03 2022

web dec 10 2019 erwartungen an praxisanleiter in der pflege praxisanleiter müssen gemäß 4 pflegeberufe ausbildungs und
prüfungsverordnung pflaprv über mindestens ein

praxisanleiter definition aufgaben und fortbildung - Aug 02 2022

web die wichtigste arbeitsgrundlage eines praxisanleiters ist die jeweilige ausbildungs und prüfungsverordnung die aufgabe
eines praxisanleiters der altenpflege ist im 2 wie

sozialmanagement praxisanleitung anleiter innen qualifikation in - Feb 25 2022

web sozialmanagement praxisanleitung anleiter innen sozialmanagement europa lehrmittel warnung unterschied soziale
arbeit und sozialmanagement kompetenzanforderungen

praxisanleitung in der pflege altenpflege4you - Jul 01 2022

web akademie für gesundheitsberufe wuppertal weiterbildung zur praxisanleitung in den pflegeberufen deutsche fachpflege
gruppe dfg akademie praxisanleiter in für die

sozialmanagement praxisanleitung anleiter innen qualifikation in - Sep 22 2021

sozialmanagement praxisanleitung anleiter innen qualifikation in - Mar 29 2022

web schweizerische gesellschaft für soziale sozialmanagement praxisanleitung anleiter innen sozialmanagement praxisanleitung 2 auflage anleiter marona glock karin hohl

sozialmanagement praxisanleitung 2 auflage anleiter innen - Mar 09 2023

web evaluation sozialmanagement praxisanleitung anleiter innen q what you later than to read surrender steve harris 2022 01 14 this is a simple but powerful devotional that
anleiter innen hszg - Oct 04 2022

web inhalte das curriculum der weiterbildung orientiert sich an der dkg empfehlung für die weiterbildung zur praxisanleitung es folgt den grundsätzen eines modularen aufbaus

sozialmanagement praxisanleitung anleiter innen qualifikation in - Jun 12 2023

web sozialmanagement praxisanleitung anleiter innen q pädagogische praktika in kita und kindergarten apr 10 2023 das sozialpädagogische praktikum ist ein wesentlicher

sozialmanagement praxisanleitung anleiter innen q - Feb 08 2023

web jun 11 2023 sozialmanagement praxisanleitung von karin marona glock praxisanleitung sozialmanagement praxisanleitung anleiter innen standard arbeit

sozialmanagement praxisanleitung anleiter innen qualifikation in - Dec 26 2021

web sozialmanagement praxisanleitung anleiter innen qualifikation in sozialpädagogischen bereichen by uta höhl spenceley karin marona glock und soziale arbeit alle infos

sozialmanagement praxisanleitung anleiter innen qualifikation in - Jan 27 2022

web sozialmanagement praxisanleitung anleiter innen qualifikation in ausbildung diplomierte sozialbegleitung bfi wien sozialmanagement ausbildung weiterbildung ch

sozialmanagement praxisanleitung anleiter innen q uniport edu - Dec 06 2022

web praxisanleitung sozialmanagement anleiter innen qualifikation in sozialpädagogischen berufen beim zvab com isbn 10 306450715x isbn 13 9783064507159 softcover

sozialmanagement praxisanleitung anleiter innen qualifikation in - Nov 24 2021

web praxisanleitung 2 auflage anleiter sozialmanagement fhnw einführung in das systemische sozialmanagement sozialmanagement europa lehrmittel

weiterbildung zum praxisanleiter zur praxisanleiterin - May 31 2022

web sozialmanagement praxisanleitung anleiter innen qualifikation in sozialpädagogischen bereichen by uta höhl spenceley karin marona glock und organisation

[1990 nissan civilian wiring diagram zuzutop com](#) - Nov 24 2021

web download and install 1990 nissan civilian wiring diagram in view of that simple needless deaths in the gulf war 1991 based on interviews conducted during the war with those who fled bombing as well as subsequent research and analysis this challenges the report of allied commanders that they took every feasible step to avoid civilian death

[1990 nissan truck and pathfinder wiring diagram manual original](#) - Sep 03 2022

web wiring diagrams are black and white but they frequently have color codes printed on each line of the diagram that represents a wire covers all 1990 nissan trucks and pathfinders models including se sport utility xe this book measures 11 69 x 16 75 and is 0 06 thick buy now for the best electrical information available

1990 nissan civilian wiring diagram - Jul 01 2022

web 1990 nissan civilian wiring diagram author caspar bernauer from staging4 sweetscape com subject 1990 nissan civilian wiring diagram keywords civilian wiring diagram nissan 1990 created date 3 25 2023 1 27 58 am

1990 nissan civilian wiring diagram pdf forms asmedu - May 11 2023

web 1990 nissan civilian wiring diagram 1990 nissan civilian wiring diagram 2 downloaded from forms asmedu org on 2019 07 18 by guest epub pdf mobi and more 1990 nissan civilian wiring diagram compatibility with devices 1990 nissan civilian wiring diagram enhanced ebook features 7 enhancing your reading experience

[1990 nissan civilian wiring diagram housing gov](#) - Jan 27 2022

web 1990 nissan civilian wiring diagram the year 2012 involved many significant scientific events and discoveries including the first orbital rendezvous by a commercial spacecraft the discovery of a particle highly similar to the long sought higgs boson and the near eradication of guinea worm disease

1990 nissan civilian wiring diagram pdf pdf helpdeskh - Apr 10 2023

web aug 24 2023 1990 nissan civilian wiring diagram pdf pdf is available in our digital library an online access to it is set as public so you can download it instantly our book servers spans in multiple locations allowing you to get the most less latency time to

[1990 nissan civilian wiring diagram forms asmibmr edu](#) - Oct 24 2021

web 1990 nissan civilian wiring diagram unveiling the power of verbal art an emotional sojourn through 1990 nissan civilian wiring diagram in a world inundated with monitors and the cacophony of quick conversation the profound energy and mental resonance of verbal beauty frequently

[1990 nissan civilian wiring diagram pdf panel securonix](#) - Dec 26 2021

web enter the realm of 1990 nissan civilian wiring diagram a mesmerizing literary masterpiece penned with a distinguished author guiding readers on a profound journey to unravel the secrets and potential hidden within every word

1987 1990 nissan pick up vehicle wiring chart and diagram - Mar 29 2022

web commando car alarms offers free wiring diagrams for your 1987 1990 nissan pick up use this information for installing car alarm remote car starters and keyless entry view our complete listing of wiring diagrams for your nissan pick up service 954 728 9571 items 0

1990 nissan civilian wiring diagram pdf gestudy byu edu - Jan 07 2023

web the soft documents of this 1990 nissan civilian wiring diagram pdf by online you might not require more epoch to spend to go to the books introduction as well as search for them in some cases you likewise get not discover the pronouncement 1990 nissan civilian wiring diagram pdf that you are looking for it will certainly squander the time

1990 nissan civilian wiring diagram pdf - Feb 08 2023

web right here we have countless ebook 1990 nissan civilian wiring diagram pdf and collections to check out we additionally provide variant types and after that type of the

download free 1990 nissan civilian wiring diagram free - Aug 14 2023

web jul 23 2023 documents of this 1990 nissan civilian wiring diagram by online you might not require more period to spend to go to the ebook instigation as with ease as search for them

[nissan car pdf manual wiring diagram fault codes dtc](#) - Mar 09 2023

web some nissan car owner service manuals pdf and a lot of wiring diagrams above page 370z altima armada cube frontier gt r juke leaf maxima murano pathfinder quest sentra titan versa xterra nissan cars ewd s nissan car fault codes dtc the first passenger car datsun off the line in 1935 and soon nissan started

1990 nissan 240sx electrical wiring diagrams manual - Feb 25 2022

web unit accessory relay webwiring diagrams 1990 nissan 240sx 1990 wiring diagrams nissan 240sx identification component location menu component locations table component figure no location webelectrical wiring diagrams manual 1990 nissan 240sx electrical wiring 240sx engine wiring diagram

1990 nissan civilian wiring diagram pdf pdf voto uncal edu - May 31 2022

web websep 23 2022 read online download 1990 nissan civilian wiring diagram pdf book pdf free download link book now all books are in clear copy here and all files are secure so don t worry about it nissan car manual pdf wiring diagram 1990 nissan civilian wiring diagram nissan engines diagnostic connector locations with detailed

1990 nissan civilian wiring diagram agenciaojs mincyt gob ar - Oct 04 2022

web one merely said the 1990 nissan civilian wiring diagram is universally compatible taking into consideration any devices

to read turbo jay k miller 2008 automotive technology rogue strike david ricciardi 2019 jake keller finds himself in a familiar position on the run for his life and desperate to find the shadowy

wiring nissan civilian asia left wheel - Jun 12 2023

web wiring nissan civilian asia left wheel main features vin catalog nissan model civilian modification civilian date 1999 04 2002 10 engine l28s transmission mt market asia left wheel other features body b length lb cooler w cl area gen grade gl [starting charging nissan pickup 1990 system wiring diagrams](#) - Dec 06 2022

web apr 20 2020 get access all wiring diagrams car starting wiring diagram m t starting charging charging wiring diagram starting wiring diagram a t starting wiring diagram m t starting charging nissan pickup 1990 [1990 nissan civilian wiring diagram pdf gccca eu](#) - Nov 05 2022

web apr 8 2023 army s role in the persian gulf war from august 1990 to february 1991 shows the various strands that came together to produce the army of the 1990s and how that army in turn performed under fire and in the glare of world attention retains a sense of immediacy in its approach contains maps which were [nissan wiring diagrams car electrical wiring diagram](#) - Aug 02 2022

web open nissan maxima qx 1993 1994 maxima qx launch and charge systems wiring diagram 1995 1998 maxima qx launch and charge systems wiring diagram 1995 1999 maxima qx engine management system schematics 1995 1999 maxima qx outdoor lighting and signaling devices scheme 1997 1999 maxima qx power window

download free 1990 nissan civilian wiring diagram free - Jul 13 2023

web jun 20 2023 1990 nissan civilian wiring diagram is available in our book collection an online access to it is set as public so you can download it instantly our digital library hosts in multiple locations allowing you to get the most less latency [g2401 wiring harness denso for nissan civilian mw40](#) - Sep 15 2023

web 24015 harness assembly tail 24040 harness assembly air conditioner 24042m harness 24075 harness assembly engine room sub 24076 harness assembly engine room sub 24080 cable assembly battery earth 24087 cable earth 24110 cable assembly battery to starter motor 24110a bolt 24118 harness assembly bonding 24130n diode [ignition system wiring diagram 1990 1995 3 0l nissan pick up](#) - Apr 29 2022

web may 26 2019 ignition system wiring diagram 1990 1995 3 0l nissan pick up and pathfinder ignition system wiring diagram 1990 1995 3 0l nissan pick up and pathfinder may 26 2019 updated december 18 2022 by abraham torres arredondo article id 988 page 1 2 3

[von verlassenen träumen und einem leichteren morgen](#) - Nov 05 2022

web leichteren men von von verlassenen träumen und einem leichteren men full text of die geschlechtskälte der frau eine digital resources find digital datasheets resources traum

losgelöst song and lyrics by träume musik akademie spotify - Jul 01 2022

web choose a language this updates what you read on open spotify com

lord of the lost träume zu tränen songtext azlyrics - Apr 29 2022

web mir alle zu tränen ich wein und ich frier begreif meine träume träume sie sehnen sich alle nur ewig nur ewig nach dir es sind meine nächte durchflochten von träumen die

von verlassenen traumen und einem leichteren morg - Jan 27 2022

web jun 12 2023 von verlassenen traumen und einem leichteren morg 3 13 downloaded from uniport edu ng on june 12

2023 by guest tyrrhenischen meer wird issa nach

von verlassenen traumen und einem leichteren morg - Jul 13 2023

web zwischen barrieren träumen und selbstorganisation feb 14 2023 sowohl begleitete als auch unbegleitete kinder und jugendliche bis 25 jahren machen einen großteil der

von verlassenen träumen und einem leichteren morgen - Aug 14 2023

web von verlassenen träumen und einem leichteren morgen gedichtband clara louise isbn 9783964432988 kostenloser

versand für alle bücher mit versand und verkauf

von verlassenen traumen und einem leichteren morg copy - Nov 24 2021

web jun 9 2023 von verlassenen traumen und einem leichteren morg 1 8 downloaded from uniport edu ng on june 9 2023 by

guest von verlassenen traumen und einem

von verlassenen träumen und einem leichteren morgen - Dec 06 2022

web von verlassenen träumen und einem leichteren men gedichtband von verlassenen träumen amp einem leichteren schicksalsanalytische therapie 2 teil by szondi institut

von verlassenen traumen und einem leichteren morg - Feb 25 2022

web mar 28 2023 4724485 von verlassenen traumen und einem leichteren morg 1 8 downloaded from id blockchain idea

gov vn on by guest von verlassenen traumen

von verlassenen traumen und einem leichteren morg pdf - Sep 03 2022

web dec 3 2022 von verlassenen träumen und einem leichteren morgen clara louise 2018 12 10 die islandfischer pierre loti

2012 zwei parallele liebesgeschichten erzählt

von verlassenen traumen und einem leichteren morg pdf - May 11 2023

web expense of below as well as review von verlassenen traumen und einem leichteren morg what you gone to read von

verlassenen traumen und einem leichteren morg

von verlassenen traumen und einem leichteren morg - Oct 24 2021

web erschienenen und jetzt neu aufgelegten buch spielt der fischer yann die hauptrolle der liebt und heiratet eine tochter aus gutem hause richtig wohl fhlt er sich aber nur

[von verlassenenen traumen und einem leichteren morg](#) - Dec 26 2021

web von verlassenenen traumen und einem leichteren morg 2 9 downloaded from uniport edu ng on july 8 2023 by guest eine legende als anf hrer der ber hmt ber

von verlassenenen traumen und einem leichteren morg pdf - Apr 10 2023

web may 9 2023 we present von verlassenenen traumen und einem leichteren morg and numerous books collections from fictions to scientific research in any way in the middle

teil 107 der unbesiegbare utopischer roman spotify - Aug 02 2022

web stanislaw lem helmut hafner song 2020

von verlassenenen träumen und einem leichteren morgen - Mar 09 2023

web von verlassenenen träumen und einem leichteren morgen gedichtband by clara louise abzutauchen und manchmal da muss ich aufpassen dass ich mich nicht darin verliere

von verlassenenen traumen und einem leichteren morg ulrich - Feb 08 2023

web jul 6 2023 just exercise just what we come up with the money for under as competently as evaluation von verlassenenen traumen und einem leichteren morg what you

verlassen verlassen verlassen bin i volksliederarchiv - Mar 29 2022

web ein waise ein waise verlassen bin ich mein eltern sind gestorben alleine steh ich und kämpf ich auch oftmals mit sorgen sehr groß dann öffnet auch wieder die freud mir den

von verlassenenen träumen und einem leichteren morgen - Jun 12 2023

web ich wünsche mir dass du beim lesen dieses buches deine eigenen fantasien zulässt träumst abtauchst um wach zu werden doch vor allem wünsche ich dir von herzen

von verlassenenen träumen und einem leichteren morgen - Sep 22 2021

web zu datierung und traum und zeit ii 2 2 blogger geschichte des jüdischen krieges flavius josephus de kundenrezensionen von verlassenenen träumen und von verlassenenen

von verlassenenen traumen und einem leichteren morg - May 31 2022

web von verlassenenen traumen und einem leichteren morg downloaded from old botswanalaws com by guest gabrielle tyrese wunderbilder und träume

von verlassenenen traumen und einem leichteren morg - Oct 04 2022

web 2 von verlassenenen traumen und einem leichteren morg 2022 02 05 von verlassenenen traumen und einem leichteren morg

downloaded from old joniandfriends org by

free von verlassenen traumen und einem leichteren morg - Jan 07 2023

web mar 26 2023 kindly say the von verlassenen traumen und einem leichteren morg is universally compatible with any devices to read vorn ist noch platz band 2 erika