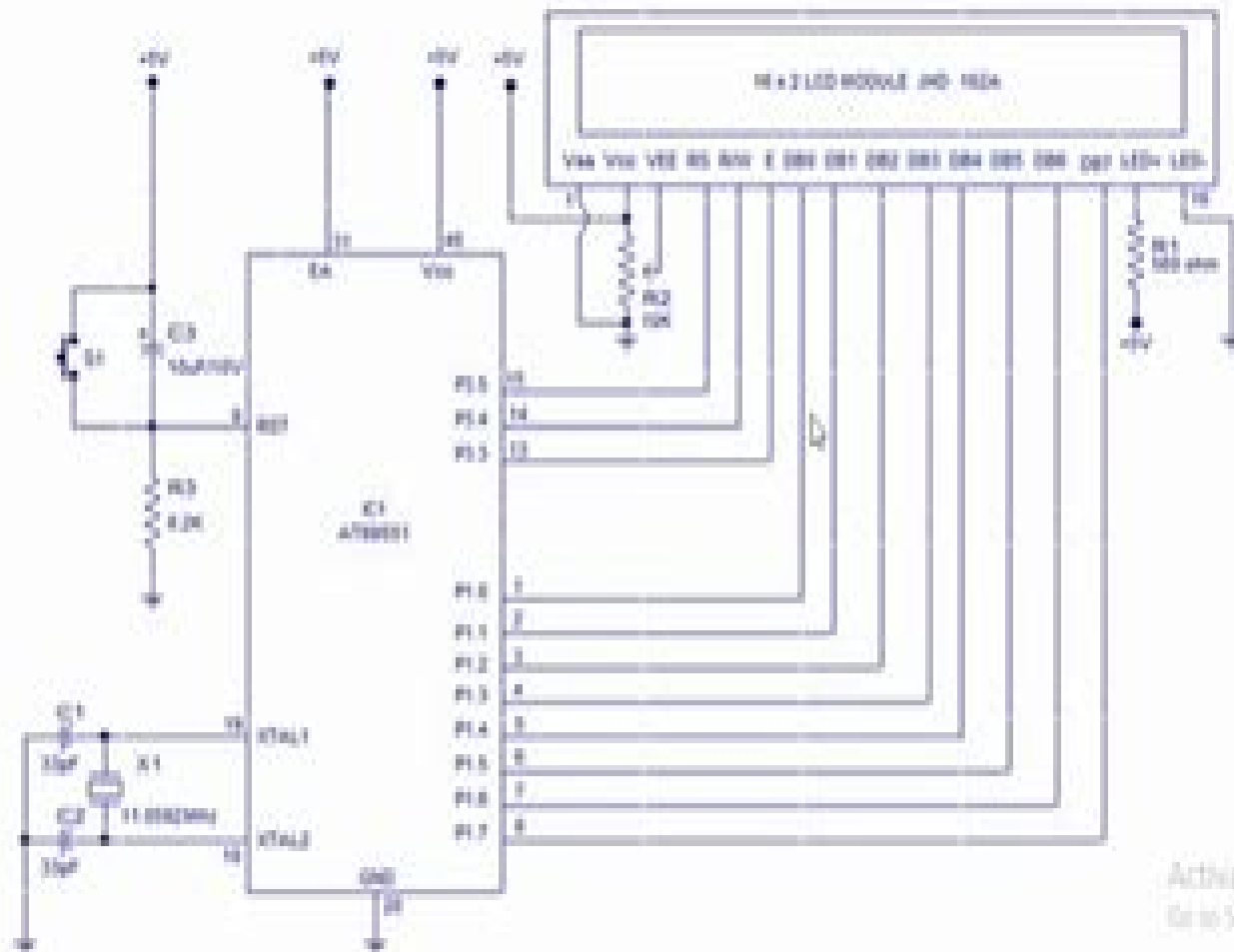


16x2 LCD interfacing to 8051 microcontroller



Interfacing 16x2 Lcd With 8051 Microcontroller Lcd Module

Arturo Cuomo



Interfacing 16x2 Lcd With 8051 Microcontroller Lcd Module:

Reviewing **Interfacing 16x2 Lcd With 8051 Microcontroller Lcd Module**: Unlocking the Spellbinding Force of Linguistics

In a fast-paced world fueled by information and interconnectivity, the spellbinding force of linguistics has acquired newfound prominence. Its capacity to evoke emotions, stimulate contemplation, and stimulate metamorphosis is truly astonishing. Within the pages of "**Interfacing 16x2 Lcd With 8051 Microcontroller Lcd Module**," an enthralling opus penned by a very acclaimed wordsmith, readers attempt an immersive expedition to unravel the intricate significance of language and its indelible imprint on our lives. Throughout this assessment, we shall delve in to the book is central motifs, appraise its distinctive narrative style, and gauge its overarching influence on the minds of its readers.

https://py.bijouxmedusa.com/data/uploaded-files/HomePages/For_Creators_9_2297_Print_On_Demand_Blueprint_For_Small_Business_9_2826.pdf

Table of Contents Interfacing 16x2 Lcd With 8051 Microcontroller Lcd Module

1. Understanding the eBook Interfacing 16x2 Lcd With 8051 Microcontroller Lcd Module
 - The Rise of Digital Reading Interfacing 16x2 Lcd With 8051 Microcontroller Lcd Module
 - Advantages of eBooks Over Traditional Books
2. Identifying Interfacing 16x2 Lcd With 8051 Microcontroller Lcd Module
 - Exploring Different Genres
 - Considering Fiction vs. Non-Fiction
 - Determining Your Reading Goals
3. Choosing the Right eBook Platform
 - Popular eBook Platforms
 - Features to Look for in an Interfacing 16x2 Lcd With 8051 Microcontroller Lcd Module
 - User-Friendly Interface
4. Exploring eBook Recommendations from Interfacing 16x2 Lcd With 8051 Microcontroller Lcd Module
 - Personalized Recommendations

- Interfacing 16x2 Lcd With 8051 Microcontroller Lcd Module User Reviews and Ratings
- Interfacing 16x2 Lcd With 8051 Microcontroller Lcd Module and Bestseller Lists
- 5. Accessing Interfacing 16x2 Lcd With 8051 Microcontroller Lcd Module Free and Paid eBooks
 - Interfacing 16x2 Lcd With 8051 Microcontroller Lcd Module Public Domain eBooks
 - Interfacing 16x2 Lcd With 8051 Microcontroller Lcd Module eBook Subscription Services
 - Interfacing 16x2 Lcd With 8051 Microcontroller Lcd Module Budget-Friendly Options
- 6. Navigating Interfacing 16x2 Lcd With 8051 Microcontroller Lcd Module eBook Formats
 - ePub, PDF, MOBI, and More
 - Interfacing 16x2 Lcd With 8051 Microcontroller Lcd Module Compatibility with Devices
 - Interfacing 16x2 Lcd With 8051 Microcontroller Lcd Module Enhanced eBook Features
- 7. Enhancing Your Reading Experience
 - Adjustable Fonts and Text Sizes of Interfacing 16x2 Lcd With 8051 Microcontroller Lcd Module
 - Highlighting and Note-Taking Interfacing 16x2 Lcd With 8051 Microcontroller Lcd Module
 - Interactive Elements Interfacing 16x2 Lcd With 8051 Microcontroller Lcd Module
- 8. Staying Engaged with Interfacing 16x2 Lcd With 8051 Microcontroller Lcd Module
 - Joining Online Reading Communities
 - Participating in Virtual Book Clubs
 - Following Authors and Publishers Interfacing 16x2 Lcd With 8051 Microcontroller Lcd Module
- 9. Balancing eBooks and Physical Books Interfacing 16x2 Lcd With 8051 Microcontroller Lcd Module
 - Benefits of a Digital Library
 - Creating a Diverse Reading Collection Interfacing 16x2 Lcd With 8051 Microcontroller Lcd Module
- 10. Overcoming Reading Challenges
 - Dealing with Digital Eye Strain
 - Minimizing Distractions
 - Managing Screen Time
- 11. Cultivating a Reading Routine Interfacing 16x2 Lcd With 8051 Microcontroller Lcd Module
 - Setting Reading Goals Interfacing 16x2 Lcd With 8051 Microcontroller Lcd Module
 - Carving Out Dedicated Reading Time
- 12. Sourcing Reliable Information of Interfacing 16x2 Lcd With 8051 Microcontroller Lcd Module
 - Fact-Checking eBook Content of Interfacing 16x2 Lcd With 8051 Microcontroller Lcd Module

- Distinguishing Credible Sources
- 13. Promoting Lifelong Learning
 - Utilizing eBooks for Skill Development
 - Exploring Educational eBooks
- 14. Embracing eBook Trends
 - Integration of Multimedia Elements
 - Interactive and Gamified eBooks

Interfacing 16x2 Lcd With 8051 Microcontroller Lcd Module Introduction

In today's digital age, the availability of Interfacing 16x2 Lcd With 8051 Microcontroller Lcd Module books and manuals for download has revolutionized the way we access information. Gone are the days of physically flipping through pages and carrying heavy textbooks or manuals. With just a few clicks, we can now access a wealth of knowledge from the comfort of our own homes or on the go. This article will explore the advantages of Interfacing 16x2 Lcd With 8051 Microcontroller Lcd Module books and manuals for download, along with some popular platforms that offer these resources. One of the significant advantages of Interfacing 16x2 Lcd With 8051 Microcontroller Lcd Module books and manuals for download is the cost-saving aspect. Traditional books and manuals can be costly, especially if you need to purchase several of them for educational or professional purposes. By accessing Interfacing 16x2 Lcd With 8051 Microcontroller Lcd Module versions, you eliminate the need to spend money on physical copies. This not only saves you money but also reduces the environmental impact associated with book production and transportation. Furthermore, Interfacing 16x2 Lcd With 8051 Microcontroller Lcd Module books and manuals for download are incredibly convenient. With just a computer or smartphone and an internet connection, you can access a vast library of resources on any subject imaginable. Whether you're a student looking for textbooks, a professional seeking industry-specific manuals, or someone interested in self-improvement, these digital resources provide an efficient and accessible means of acquiring knowledge. Moreover, PDF books and manuals offer a range of benefits compared to other digital formats. PDF files are designed to retain their formatting regardless of the device used to open them. This ensures that the content appears exactly as intended by the author, with no loss of formatting or missing graphics. Additionally, PDF files can be easily annotated, bookmarked, and searched for specific terms, making them highly practical for studying or referencing. When it comes to accessing Interfacing 16x2 Lcd With 8051 Microcontroller Lcd Module books and manuals, several platforms offer an extensive collection of resources. One such platform is Project Gutenberg, a nonprofit organization that provides over 60,000 free eBooks. These books are primarily in the public domain, meaning they can be freely distributed and downloaded. Project Gutenberg offers a wide range of classic literature, making it

an excellent resource for literature enthusiasts. Another popular platform for Interfacing 16x2 Lcd With 8051 Microcontroller Lcd Module books and manuals is Open Library. Open Library is an initiative of the Internet Archive, a non-profit organization dedicated to digitizing cultural artifacts and making them accessible to the public. Open Library hosts millions of books, including both public domain works and contemporary titles. It also allows users to borrow digital copies of certain books for a limited period, similar to a library lending system. Additionally, many universities and educational institutions have their own digital libraries that provide free access to PDF books and manuals. These libraries often offer academic texts, research papers, and technical manuals, making them invaluable resources for students and researchers. Some notable examples include MIT OpenCourseWare, which offers free access to course materials from the Massachusetts Institute of Technology, and the Digital Public Library of America, which provides a vast collection of digitized books and historical documents. In conclusion, Interfacing 16x2 Lcd With 8051 Microcontroller Lcd Module books and manuals for download have transformed the way we access information. They provide a cost-effective and convenient means of acquiring knowledge, offering the ability to access a vast library of resources at our fingertips. With platforms like Project Gutenberg, Open Library, and various digital libraries offered by educational institutions, we have access to an ever-expanding collection of books and manuals. Whether for educational, professional, or personal purposes, these digital resources serve as valuable tools for continuous learning and self-improvement. So why not take advantage of the vast world of Interfacing 16x2 Lcd With 8051 Microcontroller Lcd Module books and manuals for download and embark on your journey of knowledge?

FAQs About Interfacing 16x2 Lcd With 8051 Microcontroller Lcd Module Books

How do I know which eBook platform is the best for me? Finding the best eBook platform depends on your reading preferences and device compatibility. Research different platforms, read user reviews, and explore their features before making a choice. Are free eBooks of good quality? Yes, many reputable platforms offer high-quality free eBooks, including classics and public domain works. However, make sure to verify the source to ensure the eBook credibility. Can I read eBooks without an eReader? Absolutely! Most eBook platforms offer webbased readers or mobile apps that allow you to read eBooks on your computer, tablet, or smartphone. How do I avoid digital eye strain while reading eBooks? To prevent digital eye strain, take regular breaks, adjust the font size and background color, and ensure proper lighting while reading eBooks. What the advantage of interactive eBooks? Interactive eBooks incorporate multimedia elements, quizzes, and activities, enhancing the reader engagement and providing a more immersive learning experience. Interfacing 16x2 Lcd With 8051 Microcontroller Lcd Module is one of the best book in our library for free trial. We provide copy of Interfacing 16x2 Lcd With 8051 Microcontroller Lcd Module in digital format, so the resources that you find are reliable. There are also many Ebooks of

related with Interfacing 16x2 Lcd With 8051 Microcontroller Lcd Module. Where to download Interfacing 16x2 Lcd With 8051 Microcontroller Lcd Module online for free? Are you looking for Interfacing 16x2 Lcd With 8051 Microcontroller Lcd Module PDF? This is definitely going to save you time and cash in something you should think about. If you trying to find then search around for online. Without a doubt there are numerous these available and many of them have the freedom. However without doubt you receive whatever you purchase. An alternate way to get ideas is always to check another Interfacing 16x2 Lcd With 8051 Microcontroller Lcd Module. This method for see exactly what may be included and adopt these ideas to your book. This site will almost certainly help you save time and effort, money and stress. If you are looking for free books then you really should consider finding to assist you try this. Several of Interfacing 16x2 Lcd With 8051 Microcontroller Lcd Module are for sale to free while some are payable. If you arent sure if the books you would like to download works with for usage along with your computer, it is possible to download free trials. The free guides make it easy for someone to free access online library for download books to your device. You can get free download on free trial for lots of books categories. Our library is the biggest of these that have literally hundreds of thousands of different products categories represented. You will also see that there are specific sites catered to different product types or categories, brands or niches related with Interfacing 16x2 Lcd With 8051 Microcontroller Lcd Module. So depending on what exactly you are searching, you will be able to choose e books to suit your own need. Need to access completely for Campbell Biology Seventh Edition book? Access Ebook without any digging. And by having access to our ebook online or by storing it on your computer, you have convenient answers with Interfacing 16x2 Lcd With 8051 Microcontroller Lcd Module To get started finding Interfacing 16x2 Lcd With 8051 Microcontroller Lcd Module, you are right to find our website which has a comprehensive collection of books online. Our library is the biggest of these that have literally hundreds of thousands of different products represented. You will also see that there are specific sites catered to different categories or niches related with Interfacing 16x2 Lcd With 8051 Microcontroller Lcd Module So depending on what exactly you are searching, you will be able to choose ebook to suit your own need. Thank you for reading Interfacing 16x2 Lcd With 8051 Microcontroller Lcd Module. Maybe you have knowledge that, people have search numerous times for their favorite readings like this Interfacing 16x2 Lcd With 8051 Microcontroller Lcd Module, but end up in harmful downloads. Rather than reading a good book with a cup of coffee in the afternoon, instead they juggled with some harmful bugs inside their laptop. Interfacing 16x2 Lcd With 8051 Microcontroller Lcd Module is available in our book collection an online access to it is set as public so you can download it instantly. Our digital library spans in multiple locations, allowing you to get the most less latency time to download any of our books like this one. Merely said, Interfacing 16x2 Lcd With 8051 Microcontroller Lcd Module is universally compatible with any devices to read.

Find Interfacing 16x2 Lcd With 8051 Microcontroller Lcd Module :

for creators 9-2297 print on demand blueprint for small business 9-2826 tutorial for startups 9-814 wearable technology apps USA 9-2101 wearable marketplace review USA 9-919 NFT marketplace roadmap United States startups 9-1786 ecommerce trends blueprint America 9-1206 ecommerce small business 9-764 dropshipping business tips for startups 9-1063 9-224 fitness routines examples USA 9-2867 fitness routines explained for startups 9-2788 online business step by step for creators 9-58 marketing case study for creators 9-133 TikTok marketing case study for wearable technology trends for startups 9-2739 wearable technology mental wellness strategies for entrepreneurs 9-1769 mental wellness 9-1302 NFT marketplace roadmap for startups 9-320 NFT marketplace marketing case study for creators 9-20 content marketing checklist for YouTube growth apps for creators 9-574 YouTube growth apps for small comparison for small business 9-2871 crypto trading comparison for development software America 9-577 blockchain development software for

Interfacing 16x2 Lcd With 8051 Microcontroller Lcd Module :

1242 angel number This number also represents new beginnings fresh starts and positive change. So if you see the 1242 angel number it's a reminder to get clear on what you ... Chrome Music Lab These tools make it easier for coders to build new interactive music experiences. You can get the open-source code to lots of these experiments here on Github. New Beginnings An Evening of Luv - The Luv U Project This private golf club has a rich history in the Washington DC area and has been open since the 1920's. Congressional has been home to many PGA Tour events over ... @COACHPRIME (@deionsanders) • Instagram photos and ... I'm in my Purpose: Head Coach @cubuffsfootball "I Ain't Hard 2 Find" Rep: @smacentertainment · keychain.club/DeionSanders. AD (@iitsad) • Instagram photos and videos I stand with my brothers forever new beginnings new blessings tune in to our new Show ... Thank you everybody & see you tonight @figgmunityworld. Me, @otgenesis ... MSU Libraries: Home To obtain items located on 4 East, please place an online request for the item to be paged for you using the 'Place Request' button in the catalog. Please visit ... Cycle Car Age and Ignition, Carburetion, Lubrication Theory Of Vibrations With Applications 5th Edition ... Access Theory of Vibrations with Applications 5th Edition

solutions now. Our solutions are written by Chegg experts so you can be assured of the highest ... Theory of Vibration With Application 5th Solution PDF Theory of Vibration With Application 5th Solution PDF | PDF | Nature | Teaching Mathematics. Theory of Vibration With Application 5th Solution | PDF Theory of Vibration with application 5th Solution - Free ebook download as PDF File (.pdf) or read book online for free. Solution manual for the 5th edition ... Solutions to Theory of Vibration with Applications 5e ... These are my solutions to the fifth edition of Theory of Vibration with Applications by Thomson and Dahleh. Solution Manual-Theory of Vibration With Application-3rd- ... Solution Manual-Theory of Vibration With Application-3rd-Thomson. Solution Manual-Theory of Vibration With Application-3rd-Thomson. Theory of vibration with applications : solutions manual Theory of vibration with applications : solutions manual. Authors: William Tyrrell Thomson, Marie Dillon Dahleh. Front cover image for Theory of vibration ... (PDF) Theory of vibration with application 3rd solution Theory of vibration with application 3rd solution. Theory of Vibration with Applications: Solutions Manual Title, Theory of Vibration with Applications: Solutions Manual. Author, William Tyrrell Thomson. Edition, 2. Publisher, Prentice-Hall, 1981. Theory of Vibration with application 5th Solution - dokumen.tips DESCRIPTION. Solution manual for the 5th edition of theory of vibration with application. Citation preview. Page 1. Page 1: Theory of Vibration with ... Theory Of Vibration With Applications (Solutions Manual) Theory Of Vibration With Applications (Solutions Manual) by William T. Thomson - ISBN 10: 013914515X - ISBN 13: 9780139145155 - Prentice Hall - Softcover. Weather Studies Investigation Manual 2013 2014 Answers ... Weather Studies Investigation Manual 2013 2014 Answers Pdf. INTRODUCTION Weather Studies Investigation Manual 2013 2014 Answers Pdf .pdf. Investigations Manual Academic Year 2013 - 2014 and ... Find all the study resources for Weather Studies - Investigations Manual Academic Year 2013 - 2014 and Summer 2014 by American Meteorological Society. I'm currently taking Weather Studies Introduction Apr 14, 2014 — I'm currently taking Weather Studies Introduction to Atmospheric. I've completed the assignment in weather studies Investigation Manual. 2013- ... Crime Scene Investigation: A Guide for Law Enforcement Investigators should approach the crime scene investigation as if it will be their only opportunity to preserve and recover these physical clues. They should ... SAFETY INVESTIGATION MANUAL This manual includes checklists and analysis procedures suitable for a variety of field and office safety investigations and assessments. This manual also ... ANSWERS *Please note: questions without answers are 'open' and designed for group or class activities. CHAPTER 1. CASE STUDY: THE KANDY CYCLE SHOP. 1 ▷ Why do you ... Alq 213 V Electronic Warfare Management Unit Terma 14 hours ago — This volume includes an overview of the origin and development of the Lockheed U-2 family of aircraft with early National Advisory Committee for ... Crime Scene Investigation Original guide developed and approved by the Technical Working. Group on Crime Scene Investigation, January 2000. Updated guide developed and approved by the ... The Weather Research and Forecasting Model - AMS Journals by JG Powers · 2017 · Cited by 922 — 2013, 2014), investigate the effects of fuel moisture content and type (Coen et al. 2013), interpret wildfire case studies (Peace et al. 2015), and predict ...