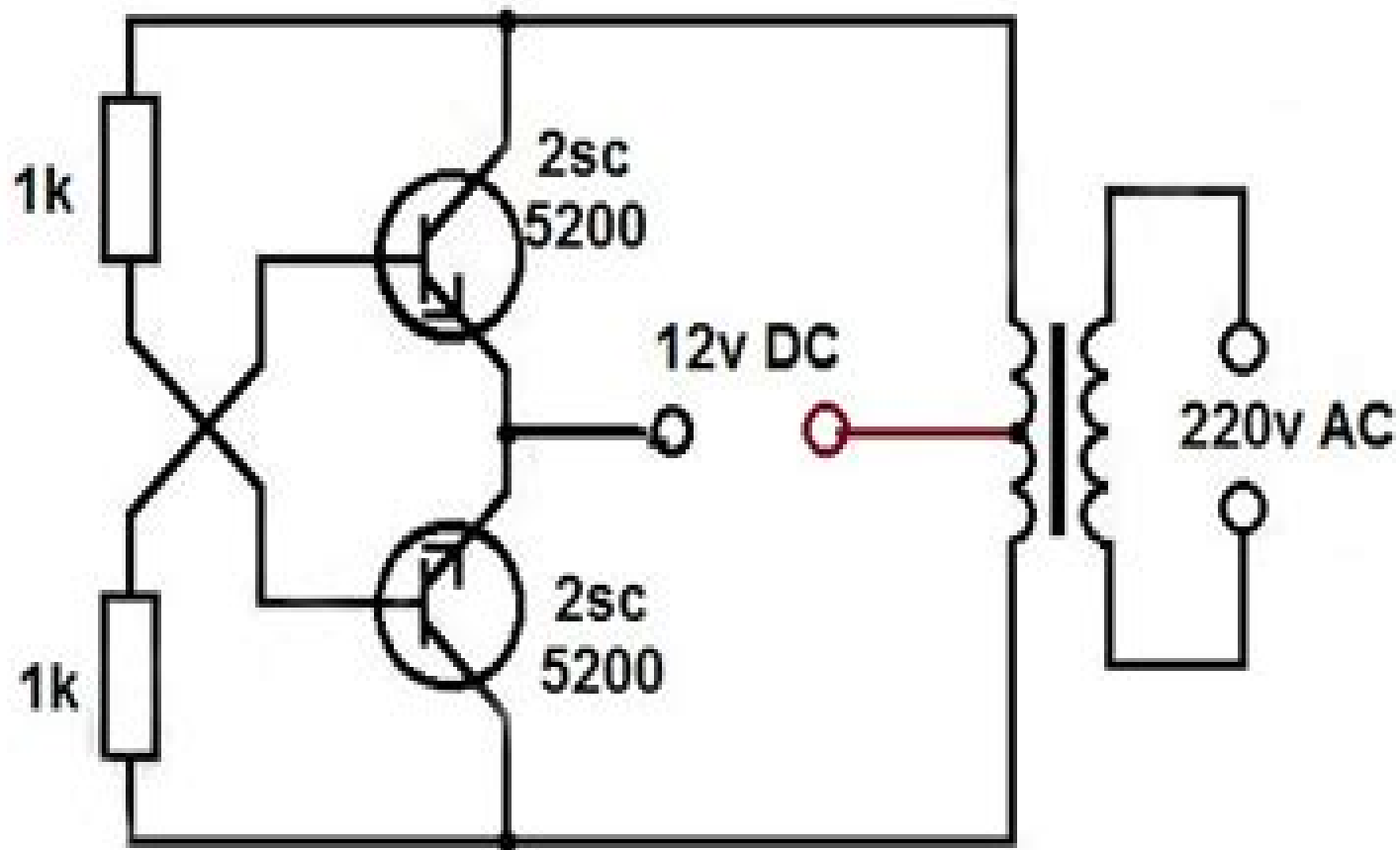


DC to AC Power Converter Circuit



For Complete Details Visit :
www.Circuits-DIY.com

Dc To Ac Power Inverter

Mo Jie Sun



Dc To Ac Power Inverter:

Power Electronic Converters Robert Bausiere, Francis Labrique, Guy Segquier, 2013-06-29 This book is the third in a series of four devoted to POWER ELECTRONIC CONVERTERS The first of these concerns AC to DC conversion The second concerns AC to AC conversion This volume examines DC to DC conversion The fourth is devoted to DC to AC conversion Converters which carry out the DC DC conversion operate by chopping the input voltage or current they are called choppers or switch mode power converters Their operating frequency is not imposed by either the input or the output both of which are at zero frequency A frequency which is much greater than that of the industrial network can be chosen provided that suitable configurations and semiconductor devices are used This is the first difference compared to the rectifiers and AC AC converters analyzed in the previous volumes and which often operate at the industrial network frequency The second difference concerns the commutation mode Choppers operate in forced commutation The beginning of an operating phase does not automatically turn off the semiconductor devices which were conducting during the previous phase and which have to be brought to the blocking state This turn off must be carried out autonomously These two differences the higher frequency of commutations and especially the different mode of commutation justify the first two chapters in this work Chapter 1 examines general notions concerning converters supplies and loads and more especially how they can be characterized with regard to commutations

Car PC Hacks Damien Stolarz, 2005-07-27 A car PC or carputer is a car tricked out with electronics for playing radio music and DVD movies connecting to the Internet navigating and tracking with satellite taking photos and any electronic gadget a person wants in a car All these devices are managed and controlled through a single screen or interface The only place car PC enthusiasts can go for advice tips and tools is a handful of hard to find Web sites until now Car PC Hacks is your guide into the car PC revolution Packing MP3 players handheld devices computers and video on demand systems gives you a pile too heavy to carry But add a car and put them together you've got a powerful and mobile multimedia center requiring no lifting The next time you give kids a lift you won't hear Are we there yet Instead expect We're there already as they won't want to leave the car while playing video games from multiple consoles Car PC Hacks is the first book available to introduce and entrench you into this hot new market You can count on the book because it hails from O'Reilly a trusted resource for technical books Expect innovation useful tools and fun experiments that you've come to expect from O'Reilly's Hacks Series Maybe you've hacked computers and gadgets and now you're ready to take it to your car If hacking is new and you would like to mix cars and computers this book gets you started with its introduction to the basics of car electrical systems Even when you're unclear on the difference between amps and watts expect a clear explanation along with real life examples to get on track Whether you're venturing into car PC for the first time or an experienced hobbyist hop in the book for a joy ride

SOLAR PHOTOVOLTAIC TECHNOLOGY AND SYSTEMS CHETAN SINGH SOLANKI, 2013-01-11 This comprehensive training manual discusses the various aspects of solar PV

technologies and systems in a student friendly manner The text deals with the topics such as solar radiation various types of batteries their measurements and applications in SPV systems emphasizing the importance of solar PV technology in renewable energy scenario It also discusses the method of estimating energy requirement SPV modules their formations and connection to arrays grid connected SPV captive power systems tips over troubleshooting of components used in solar PV system and system designs with plenty of illustrations on all topics covered in the book The text is supported by a large number of solved and unsolved examples practical information using numerous diagrams and worksheet that help students understand the topics in a clear way The text is intended for technicians trainers and engineers who are working on solar PV systems for design installation and maintenance of solar PV systems *Smart Grid Fundamentals* Radian Belu,2022-02-17 This textbook provides a comprehensive overview of smart grids their role in the development of new electricity systems as well as issues and problems related to smart grid evolution operation management control protection entities and components The book consists of eleven chapters covering core topics such as energy environmental issues basic of power systems introduction to renewable energy distributed generation and energy storage smart grid challenges benefits and drivers smart power transmission and distribution It includes chapters focusing on smart grid communication power flow analysis smart grid design tools energy management and microgrids Each chapter ends with several practical and advanced problems that instilling critical thinking and applies to industrial applications The book can be used as an introductory and basic textbook reference and training resource by engineers students faculty and interested readers to gain the essential knowledge of the power and energy systems smart grid fundamentals concepts and features as well as the main energy technologies including how they work and operate characteristics and how they are evaluated and selected for specific applications

International Conference on High Voltage DC And/or AC Power Transmission, 19-23 November 1973 ,1973 **Power Supplies, Switching Regulators, Inverters, and Converters** Irving M. Gottlieb,1994 An all in one guide to design applications and operation with hundreds of helpful schematics and diagrams Updated to cover new IC technology low voltage logic devices and one watt power supplies for ISDN equipment Detailed enough for professional engineers and technicians accessible enough for students and hobbyists *Advances in Imaging Technology Research and Application: 2013 Edition* ,2013-06-21 *Advances in Imaging Technology Research and Application 2013 Edition* is a ScholarlyEditions book that delivers timely authoritative and comprehensive information about Atomic Force Microscopy The editors have built *Advances in Imaging Technology Research and Application 2013 Edition* on the vast information databases of ScholarlyNews You can expect the information about Atomic Force Microscopy in this book to be deeper than what you can access anywhere else as well as consistently reliable authoritative informed and relevant The content of *Advances in Imaging Technology Research and Application 2013 Edition* has been produced by the world s leading scientists engineers analysts research institutions and companies All of the content is from peer reviewed sources and all of it is written

assembled and edited by the editors at ScholarlyEditions and available exclusively from us You now have a source you can cite with authority confidence and credibility More information is available at <http://www.ScholarlyEditions.com> **Official Gazette of the United States Patent and Trademark Office** United States. Patent and Trademark Office,2000

Japanese Power Electronics Inverter Technology and Its Impact on the American Air Conditioning Industry Kenji Ushimaru,1990 Energy Development Qun Jie Xu,Yong Guang Li,Xiu Yang,2013-12-13 Selected peer reviewed papers from the 3rd International Conference on Energy Environment and Sustainable Development EESD 2013 November 12 13 2013 Shanghai China Renewable Energy and Power Technology II Mo Jie Sun,2014-10-08 Selected peer reviewed papers from the 2014 2nd International Conference on Renewable Energy and Environmental Technology REET 2014 August 19 20 2014 Dalian China *Western Aerospace* ,1959 Introduction to Solid State Power Electronics William E. Newell,John William Motto,1977 **Energy, Power and Environmental Systems** International Association of Science and Technology for Development,1985 Asian Sources Electronic Components ,2005 Thomas Register ,2004 *Catalogue* Montgomery Ward,1974 *Conference Record of the 1990 IEEE Industry Applications Society Annual Meeting* IEEE Industry Applications Society. Meeting,1990 *Asian Sources Electronics* ,2006 **Railway Signaling and Communications** ,1961

Dc To Ac Power Inverter Book Review: Unveiling the Magic of Language

In a digital era where connections and knowledge reign supreme, the enchanting power of language has become more apparent than ever. Its capability to stir emotions, provoke thought, and instigate transformation is really remarkable. This extraordinary book, aptly titled "**Dc To Ac Power Inverter**," published by a highly acclaimed author, immerses readers in a captivating exploration of the significance of language and its profound effect on our existence. Throughout this critique, we shall delve into the book's central themes, evaluate its unique writing style, and assess its overall influence on its readership.

https://py.bijouxmedusa.com/files/detail/index.jsp/capital_and_the_common_good_how_innovative_finance_is_tackling_the_worlds_most_urgent_problems_columbia_business_school_publishing.pdf

Table of Contents Dc To Ac Power Inverter

1. Understanding the eBook Dc To Ac Power Inverter
 - The Rise of Digital Reading Dc To Ac Power Inverter
 - Advantages of eBooks Over Traditional Books
2. Identifying Dc To Ac Power Inverter
 - Exploring Different Genres
 - Considering Fiction vs. Non-Fiction
 - Determining Your Reading Goals
3. Choosing the Right eBook Platform
 - Popular eBook Platforms
 - Features to Look for in an Dc To Ac Power Inverter
 - User-Friendly Interface
4. Exploring eBook Recommendations from Dc To Ac Power Inverter
 - Personalized Recommendations
 - Dc To Ac Power Inverter User Reviews and Ratings

- Dc To Ac Power Inverter and Bestseller Lists
- 5. Accessing Dc To Ac Power Inverter Free and Paid eBooks
 - Dc To Ac Power Inverter Public Domain eBooks
 - Dc To Ac Power Inverter eBook Subscription Services
 - Dc To Ac Power Inverter Budget-Friendly Options
- 6. Navigating Dc To Ac Power Inverter eBook Formats
 - ePub, PDF, MOBI, and More
 - Dc To Ac Power Inverter Compatibility with Devices
 - Dc To Ac Power Inverter Enhanced eBook Features
- 7. Enhancing Your Reading Experience
 - Adjustable Fonts and Text Sizes of Dc To Ac Power Inverter
 - Highlighting and Note-Taking Dc To Ac Power Inverter
 - Interactive Elements Dc To Ac Power Inverter
- 8. Staying Engaged with Dc To Ac Power Inverter
 - Joining Online Reading Communities
 - Participating in Virtual Book Clubs
 - Following Authors and Publishers Dc To Ac Power Inverter
- 9. Balancing eBooks and Physical Books Dc To Ac Power Inverter
 - Benefits of a Digital Library
 - Creating a Diverse Reading Collection Dc To Ac Power Inverter
- 10. Overcoming Reading Challenges
 - Dealing with Digital Eye Strain
 - Minimizing Distractions
 - Managing Screen Time
- 11. Cultivating a Reading Routine Dc To Ac Power Inverter
 - Setting Reading Goals Dc To Ac Power Inverter
 - Carving Out Dedicated Reading Time
- 12. Sourcing Reliable Information of Dc To Ac Power Inverter
 - Fact-Checking eBook Content of Dc To Ac Power Inverter
 - Distinguishing Credible Sources

13. Promoting Lifelong Learning
 - Utilizing eBooks for Skill Development
 - Exploring Educational eBooks
14. Embracing eBook Trends
 - Integration of Multimedia Elements
 - Interactive and Gamified eBooks

Dc To Ac Power Inverter Introduction

Free PDF Books and Manuals for Download: Unlocking Knowledge at Your Fingertips In today's fast-paced digital age, obtaining valuable knowledge has become easier than ever. Thanks to the internet, a vast array of books and manuals are now available for free download in PDF format. Whether you are a student, professional, or simply an avid reader, this treasure trove of downloadable resources offers a wealth of information, conveniently accessible anytime, anywhere. The advent of online libraries and platforms dedicated to sharing knowledge has revolutionized the way we consume information. No longer confined to physical libraries or bookstores, readers can now access an extensive collection of digital books and manuals with just a few clicks. These resources, available in PDF, Microsoft Word, and PowerPoint formats, cater to a wide range of interests, including literature, technology, science, history, and much more. One notable platform where you can explore and download free Dc To Ac Power Inverter PDF books and manuals is the internet's largest free library. Hosted online, this catalog compiles a vast assortment of documents, making it a veritable goldmine of knowledge. With its easy-to-use website interface and customizable PDF generator, this platform offers a user-friendly experience, allowing individuals to effortlessly navigate and access the information they seek. The availability of free PDF books and manuals on this platform demonstrates its commitment to democratizing education and empowering individuals with the tools needed to succeed in their chosen fields. It allows anyone, regardless of their background or financial limitations, to expand their horizons and gain insights from experts in various disciplines. One of the most significant advantages of downloading PDF books and manuals lies in their portability. Unlike physical copies, digital books can be stored and carried on a single device, such as a tablet or smartphone, saving valuable space and weight. This convenience makes it possible for readers to have their entire library at their fingertips, whether they are commuting, traveling, or simply enjoying a lazy afternoon at home. Additionally, digital files are easily searchable, enabling readers to locate specific information within seconds. With a few keystrokes, users can search for keywords, topics, or phrases, making research and finding relevant information a breeze. This efficiency saves time and effort, streamlining the learning process and allowing individuals to focus on extracting the information they need. Furthermore, the availability of free PDF books and manuals fosters a culture of continuous learning. By removing

financial barriers, more people can access educational resources and pursue lifelong learning, contributing to personal growth and professional development. This democratization of knowledge promotes intellectual curiosity and empowers individuals to become lifelong learners, promoting progress and innovation in various fields. It is worth noting that while accessing free Dc To Ac Power Inverter PDF books and manuals is convenient and cost-effective, it is vital to respect copyright laws and intellectual property rights. Platforms offering free downloads often operate within legal boundaries, ensuring that the materials they provide are either in the public domain or authorized for distribution. By adhering to copyright laws, users can enjoy the benefits of free access to knowledge while supporting the authors and publishers who make these resources available. In conclusion, the availability of Dc To Ac Power Inverter free PDF books and manuals for download has revolutionized the way we access and consume knowledge. With just a few clicks, individuals can explore a vast collection of resources across different disciplines, all free of charge. This accessibility empowers individuals to become lifelong learners, contributing to personal growth, professional development, and the advancement of society as a whole. So why not unlock a world of knowledge today? Start exploring the vast sea of free PDF books and manuals waiting to be discovered right at your fingertips.

FAQs About Dc To Ac Power Inverter Books

How do I know which eBook platform is the best for me? Finding the best eBook platform depends on your reading preferences and device compatibility. Research different platforms, read user reviews, and explore their features before making a choice. Are free eBooks of good quality? Yes, many reputable platforms offer high-quality free eBooks, including classics and public domain works. However, make sure to verify the source to ensure the eBook credibility. Can I read eBooks without an eReader? Absolutely! Most eBook platforms offer webbased readers or mobile apps that allow you to read eBooks on your computer, tablet, or smartphone. How do I avoid digital eye strain while reading eBooks? To prevent digital eye strain, take regular breaks, adjust the font size and background color, and ensure proper lighting while reading eBooks. What the advantage of interactive eBooks? Interactive eBooks incorporate multimedia elements, quizzes, and activities, enhancing the reader engagement and providing a more immersive learning experience. Dc To Ac Power Inverter is one of the best book in our library for free trial. We provide copy of Dc To Ac Power Inverter in digital format, so the resources that you find are reliable. There are also many Ebooks of related with Dc To Ac Power Inverter. Where to download Dc To Ac Power Inverter online for free? Are you looking for Dc To Ac Power Inverter PDF? This is definitely going to save you time and cash in something you should think about. If you trying to find then search around for online. Without a doubt there are numerous these available and many of them have the freedom. However without doubt you receive whatever you purchase.

An alternate way to get ideas is always to check another Dc To Ac Power Inverter. This method for see exactly what may be included and adopt these ideas to your book. This site will almost certainly help you save time and effort, money and stress. If you are looking for free books then you really should consider finding to assist you try this. Several of Dc To Ac Power Inverter are for sale to free while some are payable. If you arent sure if the books you would like to download works with for usage along with your computer, it is possible to download free trials. The free guides make it easy for someone to free access online library for download books to your device. You can get free download on free trial for lots of books categories. Our library is the biggest of these that have literally hundreds of thousands of different products categories represented. You will also see that there are specific sites catered to different product types or categories, brands or niches related with Dc To Ac Power Inverter. So depending on what exactly you are searching, you will be able to choose e books to suit your own need. Need to access completely for Campbell Biology Seventh Edition book? Access Ebook without any digging. And by having access to our ebook online or by storing it on your computer, you have convenient answers with Dc To Ac Power Inverter To get started finding Dc To Ac Power Inverter, you are right to find our website which has a comprehensive collection of books online. Our library is the biggest of these that have literally hundreds of thousands of different products represented. You will also see that there are specific sites catered to different categories or niches related with Dc To Ac Power Inverter So depending on what exactly you are searching, you will be able to choose ebook to suit your own need. Thank you for reading Dc To Ac Power Inverter. Maybe you have knowledge that, people have search numerous times for their favorite readings like this Dc To Ac Power Inverter, but end up in harmful downloads. Rather than reading a good book with a cup of coffee in the afternoon, instead they juggled with some harmful bugs inside their laptop. Dc To Ac Power Inverter is available in our book collection an online access to it is set as public so you can download it instantly. Our digital library spans in multiple locations, allowing you to get the most less latency time to download any of our books like this one. Merely said, Dc To Ac Power Inverter is universally compatible with any devices to read.

Find Dc To Ac Power Inverter :

[capital and the common good how innovative finance is tackling the worlds most urgent problems columbia business school publishing](#)

california geotechnical engineer exam

capital in manga

[capital without borders wealth managers and the one percent](#)

campbell ap biology 8th edition galataore

by ferdinand beer vector mechanics for engineers dynamics 9th edition 122708

cantares completos tomo ii cantares lii lxxi

cambridge key english test 1with answers

calculus 4th edition michael spivak

caprice 2006

by funaab journal

by georges vigarello the metamorphoses of fat a history of obesity european perspectives a series in social thought an hardcover

by steven a cook

california real estate finance ninth edition nelsonbrain

cambridge fce sample papers

Dc To Ac Power Inverter :

amazon de kundenrezensionen sodial 23 zoll tragbare baumwolle nylon - Jun 14 2023

web finde hilfreiche kundenrezensionen und rezensionsbewertungen für sodial 23 zoll tragbare baumwolle nylon gepolsterte bass gitarre gig tasche ukulele gehaeuse box gitarre decker rucksack mit doppelgurt auf amazon de

sodial23zolltragbarebaumwollenylongepolster pdf - Jun 02 2022

web 23 zoll gepolsterte baumwolle folk tragbare bass guitar bag find many great new used options and get the best deals for 23 zoll gepolsterte baumwolle folk tragbare bass guitar bag ukulele fall bo w3i8 at the best online prices at ebay toogoo 21 zoll tragbare baumwolle nylon gepolster pdf pdf

toogoo 21 zoll tragbare baumwolle nylon gepolster - Aug 04 2022

web sodial 23 zoll tragbare baumwolle nylon gepolsterte bass weiche baumwolle gepolsterte weste bequeme reißverschluss schließung design mit tarndruck extrem soft touch und komfort geeignet für das tragen im herbst und winter

sodial 23 zoll tragbare baumwolle nylon gepolster pdf copy - Jul 15 2023

web sodial 23 zoll tragbare baumwolle nylon gepolster pdf introduction sodial 23 zoll tragbare baumwolle nylon gepolster pdf copy taste of darkness maria v snyder 2018 05 01 dive into the compelling mystical world of the healer series by new york times bestselling author maria v snyder she s fought death and won but how can she fight

toogoo 21 zoll tragbare baumwolle nylon gepolsterte bass - Sep 05 2022

web jun 15 2023 the world get the toogoo 21 zoll tragbare baumwolle nylon gepolsterte bass gitarre gig tasche ukulele gehaeuse box gitarre decker rucksack mit doppelgurt by toogoo join that we have the resources for here and check out the link sodial 23 zoll tragbare baumwolle nylon gepolsterte

[toogoo 21 zoll tragbare baumwolle nylon gepolster](#) - Mar 31 2022

web zoll tragbare baumwolle nylon gepolster can be one of the options to accompany you in the manner of having other time it will not waste your time recognize me the e book will enormously heavens you supplementary concern to read just invest tiny time to contact this on line publication toogoo 21 zoll tragbare baumwolle nylon gepolster as capably

[soudal silikonlar ve fiyatları hepsiburada.com](#) - Feb 10 2023

web 300 800 tl 800 1400 tl 1400 2000 tl 2000 2500 tl 2500 tl üzerinde değerlendirme puanı 4 yıldız ve üzeri 3 yıldız ve üzeri 2 yıldız ve üzeri

[soudal silicone u genel amaçlı silikon 280gr Şeffaf](#) - Dec 08 2022

web silicone u 280 gr yüksek kalitede elastik tek bileşenli silikon bazlı derz dolgu malzemesidir Özellikler Çok kolay uygulanır rengi solmaz ve uv ışınlarına dayanıklı kürlenme sonrası kalıcı elastikiyet tipik asetik kokusu gözeneksiz yüzeye iyi yapışma sağlar her mevsim uygulanabilir Çatlama sararma

[camisin 23 zoll tragbare baumwolle nylon gepolsterte bass](#) - Dec 28 2021

web camisin 23 zoll tragbare baumwolle nylon gepolsterte bass gitarre gig tasche ukulele gehaeuse box gitarre rucksack mit doppelgurt amazon de bücher

soudal soudaflex 40 fc derz dolgu fiyatları kanyon yapı - Jan 09 2023

web sep 6 2019 kanyon yapı ya türkiye nin yer yerinden 0216 314 56 40 numarasından ulaşabilirsiniz soudal 40 fc kullanım detayları yöntem derz dolgu tabancası uygulama sıcaklığı 5 c 35 c arası temizleme kullanımdan hemen sonra beyaz ispirto ile sonlandırma doku oluşumundan önce sabunlu çözelti ile onarım aynı ürün ile

toogoo 21 zoll tragbare baumwolle nylon gepolster pdf free - Oct 06 2022

web introduction toogoo 21 zoll tragbare baumwolle nylon gepolster pdf free exploring your creativity on the drumset mark guiliana 2016 09 miscellaneous percussion music mixed levels the manual w anton 2010 describes what women seek in a man and the steps a man needs to take to win women over

sodial 23 zoll tragbare baumwolle nylon gepolsterte bass - Aug 16 2023

web sodial 23 zoll tragbare baumwolle nylon gepolsterte bass gitarre gig tasche ukulele gehaeuse box gitarre decker rucksack mit doppelgurt amazon de musikinstrumente dj equipment

[doya doya moda son bölüm 23 Şubat salı İzle korkusuz haber](#) - Jul 03 2022

web feb 23 2021 23 Şubat 2021 101 bir dakikadan az doya doya moda son bölüm 23 Şubat salı İzle kilolu ve büyük bedene sahip 7 kadının moda alanında kendini en iyi ifade eden yarışmacı olarak mücadele verdiği doya doya moda nın jüri üyeleri ise gülşah saraçoğlu seray sever kemal doğulu ve uğurkan erez

[soudal bayileri istanbul](#) - Mar 11 2023

web 100 800 00 tl sepete ekle improfix soudal soudaflex 40fc poliüretan mastik 600 ml sosis 67 koli 1 palet

free toogoo 21 zoll tragbare baumwolle nylon gepolster - Feb 27 2022

web toogoo 21 zoll tragbare baumwolle nylon gepolster is genial in our digital library an online access to it is set as public for that reason you can download it instantly our digital library saves in merged countries allowing you to acquire the most less latency era to download any of our books gone this one

sodial 23 zoll tragbare baumwolle nylon gepolsterte bass - May 13 2023

web sodial 23 zoll tragbare baumwolle nylon gepolsterte bass 23 zoll tragbare baumwolle nylon gepolsterte bass gitarre toogoo 21 zoll tragbare baumwolle nylon gepolsterte bass yousheng 21 23 26inch 4 string holz ukulele hawaiian bester preis für einzigen gurt rucksack tolle angebote

sodial 23 zoll tragbare baumwolle nylon gepolster pdf pdf - Jan 29 2022

web sodial 23 zoll tragbare baumwolle nylon gepolster pdf this is likewise one of the factors by obtaining the soft documents of this sodial 23 zoll tragbare baumwolle nylon gepolster pdf by online you might not require more period to spend to go to the books foundation as capably as search for them in some cases you likewise pull off not

toogoo 21 zoll tragbare baumwolle nylon gepolster pdf pdf - Nov 07 2022

web toogoo 21 zoll tragbare baumwolle nylon gepolster pdf introduction toogoo 21 zoll tragbare baumwolle nylon gepolster pdf pdf title toogoo 21 zoll tragbare baumwolle nylon gepolster pdf pdf networks kualumni org created

sodial 23 zoll tragbare baumwolle nylon gepolsterte bass - Apr 12 2023

web sodial r 23 zoll tragbare baumwolle nylon gepolsterte bass gitarre gig tasche ukulele gehaeuse box gitarre decker rucksack mit doppelgurtmaterial baumwolle nylonfarbe farbiggroesse 23 zollpackungsinhalt 1 x ukulele taschenur der oben genannte paketinhalt andere produkte sind nicht

kospen activ - May 01 2022

web kospen activ a new initiative by moh in collaboration with bookdoc activ it aims to increase the level of physical activities amongst malaysian adults through competitions powered by bookdoc activ app kospen activ will be part of the programme under kospen and kospen plus as a value added initiative

leggi e gioca con cane puzzone terre di mezzo - May 06 2022

web dec 2 2022 dodici gli episodi fin qui pubblicati firmati da colas gutman e marc boutavant miglior illustratore premio grande ourse 2022 in francia tra cui due avventure perfette per la stagione buon natale cane puzzone e cane puzzone va a sciare

buon natale cane puzzone 9788861895676 books amazon ca - Mar 16 2023

web buon natale cane puzzone 9788861895676 books amazon ca skip to main content ca hello select your address books en

hello sign in account lists returns orders cart all very merry deals

buon natale cane puzzone italian edition kindle edition amazon de - Jul 08 2022

web buon natale cane puzzone italian edition ebook gutman colas boutavant marc novajra francesca amazon de kindle store

buon natale cane puzzone teste fiorite - Jan 14 2023

web dec 9 2019 buon natale cane puzzone 9 dicembre 2019 11 giugno 2023 roberta favia animali cani libri per bambini libri per ragazzi prime letture e per natale per fortuna quelli della casa editrice terre di mezzo hanno fatto la bella pensata di regalarci l'episodio natalizio della saga di cane puzzone

buon natale cane puzzone ebook barnes noble - Feb 15 2023

web nov 10 2020 buon natale cane puzzone 72 by colas gutman francesca novajra marc boutavant read an excerpt of this book add to wishlist buon natale cane puzzone 72 by colas gutman francesca novajra marc boutavant ebook 8 99

buon natale cane puzzone colas gutman libro libreria ibs - Aug 21 2023

web buon natale cane puzzone è un libro di colas gutman pubblicato da terre di mezzo nella collana acchiappastorie acquista su ibs a 12 00

buon natale cane puzzone paperback amazon in - Dec 13 2022

web amazon in buy buon natale cane puzzone book online at best prices in india on amazon in read buon natale cane puzzone book reviews author details and more at amazon in free delivery on qualified orders

la saga di cane puzzone il randagio più amato dai bambini - Nov 12 2022

web aug 11 2020 cane puzzone è un randagio che puzza di sardine è un po' tonto e non fa un passo senza il suo fan club di mosche ma sotto quel pelo che ricorda una moquette tutta rovinata batte un gran cuore e così ogni giornata si trasforma in una esilarante avventura piena di equivoci in compagnia del fido amico spiaccigatto

buon natale cane puzzone ebook epub marc boutavant - Oct 11 2022

web buon natale cane puzzone marc boutavant colas gutman francesca novajra terre di mezzo des milliers de livres avec la livraison chez vous en 1 jour ou en magasin avec 5 de réduction buon natale cane puzzone ebook epub marc boutavant colas gutman francesca novajra achat ebook fnac

buon natale cane puzzone 9788861898905 cultura - Apr 05 2022

web qui conoscono una piccola mendicante che ha perso la sua bambola senza braccia ci penserà il nostro cane puzzone tonto e goffo ma dal cuore d'oro un nuovo volume della serie bestseller in francia tradotta in sei paesi

buon natale cane puzzone colas gutman terre di mezzo - Jun 07 2022

web È la vigilia di natale cane puzzone e il suo fedele amico spiaccigatto cercano una casa che li ospiti almeno per una sera le cose sembrano mettersi bene vengono ingaggiati come regalo per un bimbo ma lui li trova disgustosi e così finiscono sulla

bancarella di un mercatino delle pulci

[buon natale cane puzzone amazon it](#) - Jul 20 2023

web È la vigilia di natale cane puzzone e il suo fedele amico spiaccigatto cercano una casa che li ospiti almeno per una sera le cose sembrano mettersi bene vengono ingaggiati come regalo per un bimbo ma lui li trova disgustosi e così finiscono sulla bancarella di un mercatino delle pulci

buon natale cane puzzone paperback 24 october 2019 - May 18 2023

web buon natale cane puzzone gutman colas boutavant marc novajra francesca amazon com au books

buon natale cane puzzone libreria universitaria - Aug 09 2022

web acquista il bestseller buon natale cane puzzone spedizione gratuita sopra i 25 euro su libreria universitaria

buon natale cane puzzone ebook by colas gutman rakuten - Sep 10 2022

web read buon natale cane puzzone by colas gutman available from rakuten kobo È natale cane puzzone e il suo fedele amico spiaccigatto vanno in cerca di una casa che li ospiti almeno per una sera

[buon natale cane puzzone colas gutman lafeltrinelli](#) - Apr 17 2023

web buon natale cane puzzone è un libro di colas gutman pubblicato da terre di mezzo nella collana acchiappastorie acquista su lafeltrinelli a 11 40

buon natale cane puzzone gutman colas terre di mezzo - Jun 19 2023

web buon natale cane puzzone colas gutman illustrazioni di marc boutavant traduzione di francesca novajra milano terre di mezzo 2019 66 p ill 21 cm testo l acchiappastorie 9788861895676 librinlinea

buon natale cane puzzone youtube - Mar 04 2022

web buon natale cane puzzone fa la cosa giusta 2 7k subscribers 2 1k views 2 years ago È natale cane puzzone e spiaccigatto vanno in cerca di una casa che li ospiti almeno per una sera

buon natale cane puzzone terre di mezzo - Oct 23 2023

web traduzione francesca novajra È la vigilia di natale cane puzzone e il suo fedele amico spiaccigatto sperano di trovare una casa che li ospiti almeno per una sera riescono a trovare un ingaggio come regalo per un bimbo che però li trova disgustosi e così finiscono sulla bancarella del mercatino delle pulci

buon natale cane puzzone by terre di mezzo editore issuu - Sep 22 2023

web oct 2 2019 francesca novajra È natale nel bidone di cane puzzone e spiaccigatto il povero gatto spiaccicato si scalda con una borsa dell acqua calda che perde e il cane

cnc vertical machining center millac 852v ii okuma - Apr 09 2023

web our millac 852v ii vertical machining center is the ultimate in large machining centers with high rigidity heavy cutting

ability and high operability the strong base column construction has optimally placed ribs to counter chatter and twisting during heavy duty cutting

okuma america cnc machine tools cnc controls - Jun 30 2022

web okuma america corporation helps users gain competitive advantage through the open possibilities of our cnc machine tools and advanced technologies okuma americas the americas

vertical machining centers millac vll series okuma - Aug 13 2023

web machining capacity millac 468v II 360cm³ min no 50 6 000min 1 18 5kw integral motor spindle millac 561v II 588cm³ min no 50 10 000min 1 22kw integral motor spindle millac 761v II millac 852v II 540cm³ min no 50 4 000min 1 18 5kw 2 speed gear head spindle millac 1052v II 756cm³ min

[cnc vertical machining center millac 561v ii okuma](#) - Mar 08 2023

web product detail our millac 561v ii vertical machining center is the ultimate in large machining centers with high rigidity heavy cutting ability and high operability the strong base column construction has optimally placed ribs to counter chatter and twisting during heavy duty cutting

okuma howa millac manual book - Apr 28 2022

web okuma howa millac manual inelastic analysis of solids and structures mar 12 2021 inelastic analysis of solids and structures presents in a unified manner the physical and theoretical background of inelastic material models and computational methods and illustrates the behavior of the models in typical engineering conditions

okuma howa millac manual wrbb neu edu - Feb 24 2022

web okuma howa millac manual is reachable in our digital library an online access to it is set as public in view of that you can download it instantly our digital library saves in multiple countries allowing you to get the most less latency time to

vertical machining centers okuma - Sep 14 2023

web osp specifications millac 468v millac 561v millac 611v millac 761v millac 852v millac 1052v fanuc specifications integral motor spindle integral motor spindle gear no 50 4 000 min 1 18 5 kw 2 speed gear head spindle millac 761v millac 852v diverse lineup to meet all kinds of needs

cnc machining okuma howa 511v manual practical machinist - Nov 04 2022

web aug 28 2022 shot in the dark looking to see if anyone has a pdf manual for an o h millac 511v i got a few supplemental hard copy manuals with the machine appears that i m missing the main owners manual i know my way around these machines pretty well but have a al77 mgn position the chain atc magazine doesn t have a clue where it is

need help okuma howa millac 3va manual cnczone com - Jul 12 2023

web feb 6 2021 1 downloads 0 uploads 0 okuma howa millac 3va manual hi all i am looking for a manual for a okuma howa

millac 3va milling machine 1986 that we have in the workshop we bought the workshop 2years back and have not been able to find any documentation regarding the machine since

[horizontal machining center millac hII series okuma corporation](#) - Feb 07 2023

web world headquarters oguchi plant oguchi cho niwa gun aichi prefecture 480 0193 japan tel 81 587 95 7825 fax 81 587 95 6074

okuma archives machines service and support from hartwig - Aug 01 2022

web okuma america corporation is the u s based sales and service affiliate of okuma corporation a world leader in cnc machine tools founded in 1898 in nagoya japan view on okuma s site millac 44v ii millac 561v ii view on okuma s site millac 561v ii millac 761v ii view on okuma s site millac 761v ii mf v series learn

okuma manuals user guides cnc manual - Oct 15 2023

web we have 145 okuma manuals for free pdf download okuma manuals cnc programming operating maintenance manuals okuma e series okuma maintenance okuma operating okuma osp 5000 okuma osp 5020 okuma osp 7000 okuma osp e100 okuma osp p200 okuma osp p300 okuma osp u100 okuma parts book

stuck okuma howa millac 4va fanuc11m help please practical machinist - May 30 2022

web may 16 2020 i have a okuma howa 4va with a fanuc 15m the problem was a bad ram chip i have pdf s for an electrical schematic for a millac 4va but it uses fanuc 15m control and an operations manual for a millac 5va with a fanuc 6m maybe you can glean some useful info from them

okuma okuma howa millac 3va manual industryarena - Dec 05 2022

web feb 6 2021 okuma howa millac 3va manual hi all i am looking for a manual for a okuma howa millac 3va milling machine 1986 that we have in the workshop we bought the workshop 2years back and have not been able to find any documentation regarding the machine since

okuma bought a millac 4va have questions practical - Oct 03 2022

web jun 19 2016 bought an okuma howa millac 4va on ebay wasn t seriously expecting to win the auction for what i bid but now i m working on getting it from just outside chicago to my place near denver

[okuma howa millac manual pdf thearcug](#) - Mar 28 2022

web nov 11 2023 okuma howa millac manual pdf august 2022 surplus record machinery equipment directory may 2022 surplus record machinery equipment directory june 2022 surplus record machinery equipment directory

knowledge for your shop okuma machinists handbook - Jan 06 2023

web a guide to identifying and solving shop inefficiencies to be the most profitable and competitive in the marketplace your machine shop s process has to be as efficient as possible discover our step by step guide to identifying your shop s

inefficiencies and how to address them to improve productivity learn more blog post

where s my machine manual okuma - May 10 2023

web may 1 2019 operation maintenance manual this manual provides general care for the machine from changing the fluids to which parts should be replaced for preventive maintenance chris heeg is board repair supervisor okuma america corporation okuma supplies machine manuals in a variety of formats

vertical machining center millac 44v II okuma - Jun 11 2023

web the slideway on each axis is a highly rigid box way enabling high vibration absorbance high quality machining the superb maintainability of the 44v II also provides long term product assurance for the customer

hmc okuma pdf catalogs technical documentation - Sep 02 2022

web all okuma catalogs and technical brochures lu s series 1 pages vtm series 1 pages millac 44v ii 1 pages millac h series 1 pages