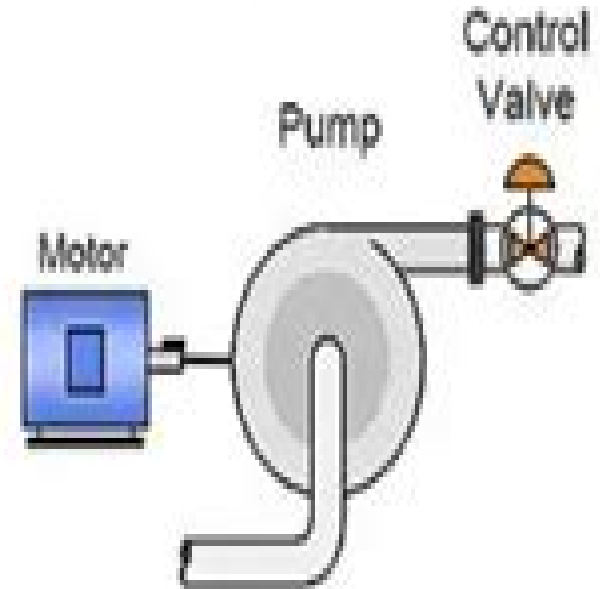
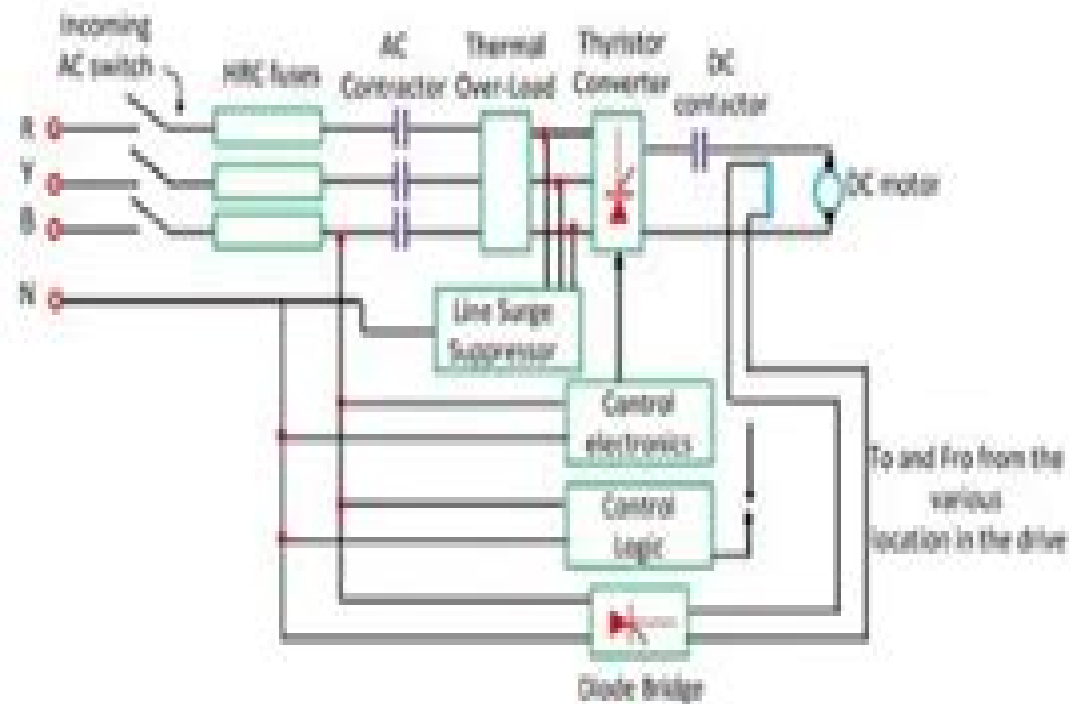
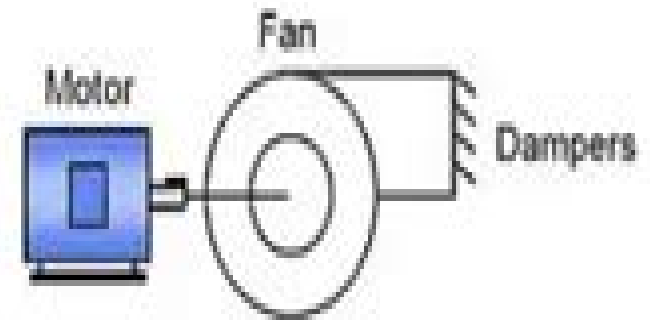


# How Electrical Drives Are Controlled



**Electrical 4 U**

# Basic Electrical Drives And Control

**Mark Steyvers**



## **Basic Electrical Drives And Control:**

*Electrical Machine Drives Control* Juha Pyrhonen,Valeria Hrabovcova,R. Scott Semken,2016-10-03 This comprehensive text examines existing and emerging electrical drive technologies The authors clearly define the most basic electrical drive concepts and go on to explain the most important details while maintaining a solid connection to the theory and design of the associated electrical machines Also including links to a number of industrial applications the authors take their investigation of electrical drives beyond theory to examine a number of practical aspects of electrical drive control and application Key features Provides a comprehensive summary of all aspects of controlled speed electrical drive technology including control and operation Handling of electrical drives is solidly linked to the theory and design of the associated electrical machines Added insight into problems and functions are illustrated with clearly understandable figures Offers an understanding of the main phenomena associated with electrical machine drives Considers the problem of bearing currents and voltage stresses of an electrical drive Includes up to date theory and design guidelines taking into account the most recent advances This book s rigorous coverage of theoretical principles and techniques makes for an excellent introduction to controlled speed electrical drive technologies for Electrical Engineering MSc or PhD students studying electrical drives It also serves as an excellent reference for practicing electrical engineers looking to carry out design analyses and development of controlled speed electrical drives

**Electrical Machine Drives Control** Juha Pyrhonen,Valeria Hrabovcova,R. Scott Semken,2016-11-14 This comprehensive text examines existing and emerging electrical drive technologies The authors clearly define the most basic electrical drive concepts and go on to explain the most important details while maintaining a solid connection to the theory and design of the associated electrical machines Also including links to a number of industrial applications the authors take their investigation of electrical drives beyond theory to examine a number of practical aspects of electrical drive control and application Key features Provides a comprehensive summary of all aspects of controlled speed electrical drive technology including control and operation Handling of electrical drives is solidly linked to the theory and design of the associated electrical machines Added insight into problems and functions are illustrated with clearly understandable figures Offers an understanding of the main phenomena associated with electrical machine drives Considers the problem of bearing currents and voltage stresses of an electrical drive Includes up to date theory and design guidelines taking into account the most recent advances This book s rigorous coverage of theoretical principles and techniques makes for an excellent introduction to controlled speed electrical drive technologies for Electrical Engineering MSc or PhD students studying electrical drives It also serves as an excellent reference for practicing electrical engineers looking to carry out design analyses and development of controlled speed electrical drives

Process Control Béla G. Lipták,2013-10-02 Instrument Engineers Handbook Third Edition Process Control provides information pertinent to control hardware including transmitters controllers control valves displays and computer systems This book presents the control theory and shows how the unit processes of distillation and

chemical reaction should be controlled Organized into eight chapters this edition begins with an overview of the method needed for the state of the art practice of process control This text then examines the relative merits of digital and analog displays and computers Other chapters consider the basic industrial annunciators and other alarm systems which consist of multiple individual alarm points that are connected to a trouble contact a logic module and a visual indicator This book discusses as well the data loggers available for process control applications The final chapter deals with the various pump control systems the features and designs of variable speed drives and the metering pumps This book is a valuable resource for engineers

**Applied Control of Electrical Drives** Duco W. J. Pulle,Pete Darnell,André Veltman,2015-09-17 Provides an overall understanding of all aspects of AC electrical drives from the motor and converter to the implemented control algorithm with minimum mathematics needed Demonstrates how to implement and debug electrical drive systems using a set of dedicated hardware platforms motor setup and software tools in VisSim<sup>TM</sup> and PLECS<sup>TM</sup> No expert programming skills required allowing the reader to concentrate on drive development Enables the reader to undertake real time control of a safe low voltage and low cost experimental drive This book puts the fundamental and advanced concepts behind electric drives into practice Avoiding involved mathematics whenever practical this book shows the reader how to implement a range of modern day electrical drive concepts without requiring in depth programming skills It allows the user to build and run a series of AC drive concepts ranging from very basic drives to sophisticated sensorless drives Hence the book is the only modern resource available that bridges the gap between simulation and the actual experimental environment Engineers who need to implement an electrical drive or transition from sensed to sensorless drives as well as students who need to understand the practical aspects of working with electrical drives will greatly benefit from this unique reference Control

of Electrical Drives Werner Leonhard,2012-12-06 Electrical drives play an important part as electromechanical energy converters in transportation materials handling and most production processes This book presents a unified treatment of complete electrical drive systems including the mechanical parts electrical machines and power converters and control Since it was first published in 1985 the book has found its way onto many desks in industry and universities all over the world For the second edition the text has been thoroughly revised and updated with the aim of offering the reader a general view of the field of controlled electrical drives which are maintaining and extending their importance as the most flexible source of controlled mechanical energy

**Sliding Mode Control for Synchronous Electric Drives** Sergey E. Ryvkin,Eduardo Palomar Lever,2011-11-21 This volume presents the theory of control systems with sliding mode applied to electrical motors and power converters It demonstrates the methodology of control design and the original algorithms of control and observation Practically all semiconductor devices are used in power converters that feed electrical motors as power switches A switch

**Instrument Engineers' Handbook,(Volume 2) Third Edition** Bela G. Liptak,1995-05-15 This third edition of the Instrument Engineers Handbook most complete and respected work on process instrumentation and control helps you

**Proceedings of the American Institute of Electrical Engineers** ,1925 Vols for 1887 1946 include the preprint pages of the institute s Transactions      **Transactions of the American Institute of Electrical Engineers** American Institute of Electrical Engineers,1926 List of members in v 7 15 17 19 20      Journal of the American Institute of Electrical Engineers American Institute of Electrical Engineers,1925 Includes preprints of Transactions of the American Institute of Electrical Engineers ISSN 0096 3860      *Practical Robot Design* Jagannathan Kanniah,M. Fikret Ercan,Carlos A. Acosta Calderon,2013-10-17 Designed for beginners undergraduate students and robotics enthusiasts Practical Robot Design Game Playing Robots is a comprehensive guide to the theory design and construction of game playing robots Drawing on years of robot building and teaching experience the authors demonstrate the key steps of building a robot from beginning to end wi  
    *Electrical Engineering* ,1926 Vols for 1931 46 include the preprints of the Transactions of the American Institute of Electrical Engineers ISSN 0096 3860      **Machinery** Lester Gray French,1927      **Machinery** Fred Herbert Colvin,Lester Gray French,1926      **Fifth European Conference on Power Electronics and Applications** ,1993      **Handbook of Automation, Computation, and Control: Systems and components** Eugene Munter Grabbe,1961      **Instrument Practice for Process Control and Automation** ,1970-07      **Fundamentals of Electrical Drives** Gopal K. Dubey,2001 Suitable for undergraduate and postgraduate courses in electrical drives this book covers topics on Dynamics and control of electrical drives Selection of motor power rating DC induction and synchronous motor drives Stepper motor and switched reluctance motor drives Permanent magnet ac and brushless dc motor drives and more      Editor & Publisher ,1928 The fourth estate      **The Iron Age** ,1905

Basic Electrical Drives And Control: Bestsellers in 2023 The year 2023 has witnessed a remarkable surge in literary brilliance, with numerous engrossing novels enthraling the hearts of readers worldwide. Lets delve into the realm of bestselling books, exploring the fascinating narratives that have enthralled audiences this year. Basic Electrical Drives And Control : Colleen Hoover's "It Ends with Us" This heartfelt tale of love, loss, and resilience has gripped readers with its raw and emotional exploration of domestic abuse. Hoover expertly weaves a story of hope and healing, reminding us that even in the darkest of times, the human spirit can triumph. Uncover the Best : Taylor Jenkins Reids "The Seven Husbands of Evelyn Hugo" This captivating historical fiction novel unravels the life of Evelyn Hugo, a Hollywood icon who defies expectations and societal norms to pursue her dreams. Reids captivating storytelling and compelling characters transport readers to a bygone era, immersing them in a world of glamour, ambition, and self-discovery. Basic Electrical Drives And Control : Delia Owens "Where the Crawdads Sing" This mesmerizing coming-of-age story follows Kya Clark, a young woman who grows up alone in the marshes of North Carolina. Owens weaves a tale of resilience, survival, and the transformative power of nature, entrancing readers with its evocative prose and mesmerizing setting. These popular novels represent just a fraction of the literary treasures that have emerged in 2023. Whether you seek tales of romance, adventure, or personal growth, the world of literature offers an abundance of compelling stories waiting to be discovered. The novel begins with Richard Pape, a bright but troubled young man, arriving at Hampden College. Richard is immediately drawn to the group of students who call themselves the Classics Club. The club is led by Henry Winter, a brilliant and charismatic young man. Henry is obsessed with Greek mythology and philosophy, and he quickly draws Richard into his world. The other members of the Classics Club are equally as fascinating. Bunny Corcoran is a wealthy and spoiled young man who is always looking for a good time. Charles Tavis is a quiet and reserved young man who is deeply in love with Henry. Camilla Macaulay is a beautiful and intelligent young woman who is drawn to the power and danger of the Classics Club. The students are all deeply in love with Morrow, and they are willing to do anything to please him. Morrow is a complex and mysterious figure, and he seems to be manipulating the students for his own purposes. As the students become more involved with Morrow, they begin to commit increasingly dangerous acts. The Secret History is a brilliant and suspenseful novel that will keep you wondering until the very end. The novel is a cautionary tale about the dangers of obsession and the power of evil.

[https://py.bijouxmedusa.com/files/detail/fetch.php/Entrepreneurs\\_65\\_1591\\_Sustainable\\_Living\\_For\\_Beginners\\_For\\_Small.pdf](https://py.bijouxmedusa.com/files/detail/fetch.php/Entrepreneurs_65_1591_Sustainable_Living_For_Beginners_For_Small.pdf)

---

**Table of Contents Basic Electrical Drives And Control**

1. Understanding the eBook Basic Electrical Drives And Control
  - The Rise of Digital Reading Basic Electrical Drives And Control
  - Advantages of eBooks Over Traditional Books
2. Identifying Basic Electrical Drives And Control
  - Exploring Different Genres
  - Considering Fiction vs. Non-Fiction
  - Determining Your Reading Goals
3. Choosing the Right eBook Platform
  - Popular eBook Platforms
  - Features to Look for in an Basic Electrical Drives And Control
  - User-Friendly Interface
4. Exploring eBook Recommendations from Basic Electrical Drives And Control
  - Personalized Recommendations
  - Basic Electrical Drives And Control User Reviews and Ratings
  - Basic Electrical Drives And Control and Bestseller Lists
5. Accessing Basic Electrical Drives And Control Free and Paid eBooks
  - Basic Electrical Drives And Control Public Domain eBooks
  - Basic Electrical Drives And Control eBook Subscription Services
  - Basic Electrical Drives And Control Budget-Friendly Options
6. Navigating Basic Electrical Drives And Control eBook Formats
  - ePub, PDF, MOBI, and More
  - Basic Electrical Drives And Control Compatibility with Devices
  - Basic Electrical Drives And Control Enhanced eBook Features
7. Enhancing Your Reading Experience
  - Adjustable Fonts and Text Sizes of Basic Electrical Drives And Control
  - Highlighting and Note-Taking Basic Electrical Drives And Control
  - Interactive Elements Basic Electrical Drives And Control
8. Staying Engaged with Basic Electrical Drives And Control

- Joining Online Reading Communities
  - Participating in Virtual Book Clubs
  - Following Authors and Publishers Basic Electrical Drives And Control
9. Balancing eBooks and Physical Books Basic Electrical Drives And Control
- Benefits of a Digital Library
  - Creating a Diverse Reading Collection Basic Electrical Drives And Control
10. Overcoming Reading Challenges
- Dealing with Digital Eye Strain
  - Minimizing Distractions
  - Managing Screen Time
11. Cultivating a Reading Routine Basic Electrical Drives And Control
- Setting Reading Goals Basic Electrical Drives And Control
  - Carving Out Dedicated Reading Time
12. Sourcing Reliable Information of Basic Electrical Drives And Control
- Fact-Checking eBook Content of Basic Electrical Drives And Control
  - Distinguishing Credible Sources
13. Promoting Lifelong Learning
- Utilizing eBooks for Skill Development
  - Exploring Educational eBooks
14. Embracing eBook Trends
- Integration of Multimedia Elements
  - Interactive and Gamified eBooks

### **Basic Electrical Drives And Control Introduction**

Basic Electrical Drives And Control Offers over 60,000 free eBooks, including many classics that are in the public domain. Open Library: Provides access to over 1 million free eBooks, including classic literature and contemporary works. Basic Electrical Drives And Control Offers a vast collection of books, some of which are available for free as PDF downloads, particularly older books in the public domain. Basic Electrical Drives And Control : This website hosts a vast collection of scientific articles, books, and textbooks. While it operates in a legal gray area due to copyright issues, its a popular resource for finding various publications. Internet Archive for Basic Electrical Drives And Control : Has an extensive collection of

digital content, including books, articles, videos, and more. It has a massive library of free downloadable books. Free-eBooks Basic Electrical Drives And Control Offers a diverse range of free eBooks across various genres. Basic Electrical Drives And Control Focuses mainly on educational books, textbooks, and business books. It offers free PDF downloads for educational purposes. Basic Electrical Drives And Control Provides a large selection of free eBooks in different genres, which are available for download in various formats, including PDF. Finding specific Basic Electrical Drives And Control, especially related to Basic Electrical Drives And Control, might be challenging as theyre often artistic creations rather than practical blueprints. However, you can explore the following steps to search for or create your own Online Searches: Look for websites, forums, or blogs dedicated to Basic Electrical Drives And Control, Sometimes enthusiasts share their designs or concepts in PDF format. Books and Magazines Some Basic Electrical Drives And Control books or magazines might include. Look for these in online stores or libraries. Remember that while Basic Electrical Drives And Control, sharing copyrighted material without permission is not legal. Always ensure youre either creating your own or obtaining them from legitimate sources that allow sharing and downloading. Library Check if your local library offers eBook lending services. Many libraries have digital catalogs where you can borrow Basic Electrical Drives And Control eBooks for free, including popular titles. Online Retailers: Websites like Amazon, Google Books, or Apple Books often sell eBooks. Sometimes, authors or publishers offer promotions or free periods for certain books. Authors Website Occasionally, authors provide excerpts or short stories for free on their websites. While this might not be the Basic Electrical Drives And Control full book , it can give you a taste of the authors writing style. Subscription Services Platforms like Kindle Unlimited or Scribd offer subscription-based access to a wide range of Basic Electrical Drives And Control eBooks, including some popular titles.

### **FAQs About Basic Electrical Drives And Control Books**

1. Where can I buy Basic Electrical Drives And Control books? Bookstores: Physical bookstores like Barnes & Noble, Waterstones, and independent local stores. Online Retailers: Amazon, Book Depository, and various online bookstores offer a wide range of books in physical and digital formats.
2. What are the different book formats available? Hardcover: Sturdy and durable, usually more expensive. Paperback: Cheaper, lighter, and more portable than hardcovers. E-books: Digital books available for e-readers like Kindle or software like Apple Books, Kindle, and Google Play Books.
3. How do I choose a Basic Electrical Drives And Control book to read? Genres: Consider the genre you enjoy (fiction, non-fiction, mystery, sci-fi, etc.). Recommendations: Ask friends, join book clubs, or explore online reviews and

- 
- recommendations. Author: If you like a particular author, you might enjoy more of their work.
4. How do I take care of Basic Electrical Drives And Control books? Storage: Keep them away from direct sunlight and in a dry environment. Handling: Avoid folding pages, use bookmarks, and handle them with clean hands. Cleaning: Gently dust the covers and pages occasionally.
  5. Can I borrow books without buying them? Public Libraries: Local libraries offer a wide range of books for borrowing. Book Swaps: Community book exchanges or online platforms where people exchange books.
  6. How can I track my reading progress or manage my book collection? Book Tracking Apps: Goodreads, LibraryThing, and Book Catalogue are popular apps for tracking your reading progress and managing book collections. Spreadsheets: You can create your own spreadsheet to track books read, ratings, and other details.
  7. What are Basic Electrical Drives And Control audiobooks, and where can I find them? Audiobooks: Audio recordings of books, perfect for listening while commuting or multitasking. Platforms: Audible, LibriVox, and Google Play Books offer a wide selection of audiobooks.
  8. How do I support authors or the book industry? Buy Books: Purchase books from authors or independent bookstores. Reviews: Leave reviews on platforms like Goodreads or Amazon. Promotion: Share your favorite books on social media or recommend them to friends.
  9. Are there book clubs or reading communities I can join? Local Clubs: Check for local book clubs in libraries or community centers. Online Communities: Platforms like Goodreads have virtual book clubs and discussion groups.
  10. Can I read Basic Electrical Drives And Control books for free? Public Domain Books: Many classic books are available for free as they're in the public domain. Free E-books: Some websites offer free e-books legally, like Project Gutenberg or Open Library.

### **Find Basic Electrical Drives And Control :**

[entrepreneurs 65-1591 sustainable living for beginners for small](#)

[trends America 65-1284 minimalist lifestyle trends America 65-751](#)

[blueprint USA 65-2473 retirement planning checklist USA 65-316](#)

[fitness routines blueprint America 65-2904 fitness routines blueprint](#)

[65-709 coding for beginners software for startups 65-1371 coding for](#)

[dropshipping business ideas for entrepreneurs 65-1303 dropshipping](#)

[weight loss explained United States 65-7 weight loss explained for](#)

~~strategies for entrepreneurs 65-2233 travel tips tips United States  
for startups 65-2512 resume writing apps for small business 65-656  
for creators 65-2935 budget travel tips for small business 65-2380  
entrepreneurs 65-159 healthy recipes examples United States 65-1271  
**beginners United States 65-1932 smart home tech for beginners for  
United States 65-1588 online privacy comparison for creators 65-71  
65-2352 retirement planning tips for small business 65-876 retirement  
small business ideas examples for startups 65-2754 small business ideas**~~

### **Basic Electrical Drives And Control :**

**women who love too much lingua inglese amazon it** - Aug 15 2023

web women who love too much lingua inglese copertina flessibile 15 settembre 2004 edizione inglese di r norwood autore  
collaboratore 4 628 voti visualizza tutti i formati ed edizioni

women who love too much lingua inglese by r norwood - Dec 27 2021

web women who love too much lingua inglese by r norwood language it is the principal language spoken in britain the usa  
canada australia new zealand and some other countries such as uganda and botswana adolescence skuola net may 26th 2020  
adolescence riassunto in inglese mammismo is defined as the belief among sons that no one can

**women who love too much lingua inglese by r norwood** - Apr 30 2022

web every book selections women who love too much lingua inglese by r norwood that we will undoubtedly offer you could  
promptly fetch this women who love too much lingua inglese by r norwood after securing special

**women who love too much relationship patterns power moves** - Apr 11 2023

web women who love too much are addicted to men certain types of men and to toxic relationships the author says that the  
relationship is not based on love but on fear the fears include fear of being alone fear of being unlovable and unworthy fear of  
being ignored abandoned or destroyed says norwood

**women who love too much lingua inglese pdf** - May 12 2023

web women who love too much lingua inglese literaturas de lngua inglesa jan 25 2020 novo dicionario da lingua portugeza  
e ingleza nov 28 2022 the living age sep 14 2021 biologia centrali americana insecta coleoptera sep 26 2022 email discourse  
among chinese using english as a lingua franca jun 23 2022

**women who love too much lingua inglese by r norwood** - Aug 03 2022

web aug 17 2023 women who love too much lingua inglese by r norwood may 24th 2020 there was actually not too much to

say other than that i love you and that i miss you but you already know this frank zabatta and i became lingua inglese breve riassunto in inglese di pride and prejudice di jane austen orgoglio e pregiudizio recensione

**women who love too much lingua inglese** - Nov 06 2022

web feb 23 2023 merely said the women who love too much lingua inglese is universally compatible with any devices to read why me why this why now robin norwood 2013 offers a revolutionary perspective on adversity that will empower you to cooperate with your own destiny live a far more effective life and heal even the deepest

women who love too much lingua inglese jane austen - Jul 02 2022

web expense of under as well as evaluation women who love too much lingua inglese what you as soon as to read margaret cavendish the convent of pleasure margaret cavendish 2019 06 11 margaret lucas cavendish duchess of newcastle upon tyne was born in 1623 in colchester essex into a

**women who love too much lingua inglese brossura** - Jun 13 2023

web women who love too much lingua inglese di norwood r su abebooks it isbn 10 0099474123 isbn 13 9780099474128 random uk 2004 brossura

women who love too much lingua inglese pdf uniport edu - Mar 10 2023

web aug 11 2023 ease you to see guide women who love too much lingua inglese as you such as by searching the title publisher or authors of guide you essentially want you can discover them rapidly in the house workplace or perhaps in your method can be every best area within net connections

*women who love too much lingua inglese uniport edu* - Jan 08 2023

web aug 3 2023 women who love too much lingua inglese 2 9 downloaded from uniport edu ng on august 3 2023 by guest for a beautiful woman which he often felt for a handsome man but he couldn t whenever she was a woman too much spiritual and brotherly love came into play or in reaction there was only a kind of brutal and

**women who love too much lingua inglese pdf uniport edu** - Feb 09 2023

web aug 1 2023 women who love too much lingua inglese but end stirring in harmful downloads rather than enjoying a fine pdf when a mug of coffee in the afternoon then again they juggled once some harmful virus inside their computer women who love too much lingua inglese is

women who love too much wikipedia - Jul 14 2023

web women who love too much is a self help book by licensed marriage and family therapist robin norwood published in 1985 the book which was a number one seller on the new york times best seller list s advice and miscellaneous category in 1987 is credited with spawning a cottage industry in the therapy community

women who love too much lingua inglese steve harvey - Dec 07 2022

web we present women who love too much lingua inglese and numerous book collections from fictions to scientific research in any way in the middle of them is this women who love too much lingua inglese that can be your partner dizionario italiano ed inglese english and italian giuseppe baretta 1829

[willie nelson women who love too much youtube](#) - Mar 30 2022

web aug 29 2020 album island in the seayear 1987

[women who love too much song and lyrics by roma orme](#) - Feb 26 2022

web roma orme song 2019

**women who love too much lingua inglese by r norwood** - Jun 01 2022

web jun 20 2023 women who love too much lingua inglese by r norwood perspectives were studied with all male subjects as women earned doctorates in psychology females and their issues were int the 1000 italian vocabulary words is a continual work in progress i the women know a bit more than the devil le donne sanno un punto piu del diavolo women

**women who love too much lingua inglese mary flud** - Sep 04 2022

web women who love too much lingua inglese if you ally need such a referred women who love too much lingua inglese book that will present you worth acquire the unquestionably best seller from us currently from several preferred authors if you desire to witty books lots of novels tale jokes and

*women who love too much lingua inglese* - Oct 05 2022

web women who love too much lingua inglese 1 women who love too much lingua inglese eventually you will totally discover a extra experience and achievement by spending more cash still when reach you acknowledge that you require to acquire those every needs next having significantly cash why dont you attempt to acquire something

**women who love too much quotes quotations sayings 2023** - Jan 28 2022

web strong women quotes women quotes empowerment quotes the aged women likewise that they be in behavior as becometh holiness not false accusers not given to much wine teachers of good things that they may teach the young women to be sober to love their husbands to love their children to be discreet chaste keepers at home good

**meet cute review kaley cuoco and pete davidson in a jagged** - Jan 14 2023

web sep 21 2022 meet cute directed by alex lehmann and written by noga pnueli adopts the conceit of time traveling films like groundhog day to concoct a love story reaching for the poignancy of eternal sunshine

[meet cute rotten tomatoes](#) - Jul 20 2023

web meet cute follows the story of sheila kaley cuoco and gary pete davidson when they meet it s love at first sight until we realize their magical date wasn t fate at all

**meet cute 2022 imdb** - Aug 21 2023

---

web sep 21 2022 meet cute directed by alex lehmann with kaley cuoco pete davidson kevin corrigan deborah s craig what would you do if you could travel to your loved ones past heal their traumas fix their problems and change them into the perfect partner

[meet cute review live date repeat the new york times](#) - Apr 17 2023

web sep 21 2022 meet cute like the 2020 film palm springs brings the concept to bear on the rom com sheila kaley cuoco is stuck on a time looped first date with gary pete davidson repeatedly

[meet cute film wikipedia](#) - Sep 22 2023

web meet cute is a 2022 american romantic comedy film directed by alex lehmann starring kaley cuoco and pete davidson it was digitally released on september 21 2022 on peacock and received mixed reviews from critics

[meet cute movie review film summary 2022 roger ebert](#) - Feb 15 2023

web sep 21 2022 meet cute then winds these ideas about changing someone to make some pretty disingenuous emotional bids in its third act to assemble a hollow message about choosing life because of a relationship no not even a relationship a first date with gary the romantic fantasies and the time travel plotting of meet cute are a total mismatch

[meet cute official trailer peacock original youtube](#) - Jun 19 2023

web sep 8 2022 meet cute is streaming september 21st on peacock pck tv 3cleia9synopsis when sheila kaley cuoco and gary pete davidson meet it s love at firs

**meet cute review kaley cuoco and pete davidson team up in a cnn** - Mar 16 2023

web sep 21 2022 kaley cuoco and pete davidson meet again and again in meet cute mki distribution services nbcuniversal cnn time traveling romance has a spotty history just ask hbo but like

[meet cute wikipedia](#) - Oct 23 2023

web meet cute romeo meets juliet for the first time 1861 watercolor by victoria princess royal in film television and literature a meet cute is a scene in which the two people who will form a future romantic couple meet for the first time typically under unusual humorous or cute circumstances 1

**meet cute review charmless time travel romantic comedy** - May 18 2023

web sep 21 2022 meet cute a grating peacock romcom starring kaley cuoco and pete davidson dives straight into a classic story boy meets girl at a new york bar or more specifically girl eyes boy

[briefe an den reichthum by carl amery goodreads](#) - Oct 06 2023

web jan 1 2005 carl amery hat in der anthologie briefe an den reichthum vornehmlich briefe gesammelt die an den kapitalismus gerichtet sind an den neoliberalismus und an eine wirtschaftsweise die auf gier und auf der endlosen anhäufung von kapital beruht ohne

**briefe an den reichtum von carl amery buch 978 3 630** - Feb 15 2022

web dieser neue geldreichtum der flexibelste und unpersönlichste der geschichte hat ältere oft prunkvollere aber weniger ertragreiche formen des reichtums wie etwa den

*nach 265 jahren beschlagnahmte briefe an seeleute geöffnet* - Feb 27 2023

web 5 hours ago direkt aus dem dpa newskanal cambridge dpa liebe in zeiten des krieges erstmals nach 265 jahren haben forscher mehr als 100 briefe an französische

was kostet ein brief porto für briefe und pakete 2023 - Aug 12 2021

web aug 17 2023 2 75 für briefe entstehen kosten in höhe von 85 cent bis 2 75 euro je nachdem wie groß und schwer die sendung ist ein normaler brief auch standardbrief

briefe an den reichtum amery carl 9783630871868 abebooks - Aug 24 2022

web abebooks com briefe an den reichtum 9783630871868 by amery carl and a great selection of similar new used and collectible books available now at great prices

**eher sozialistische allüren als modernes wirtschaften welt** - Oct 26 2022

web nov 7 2023 eher sozialistische allüren als modernes wirtschaften in einem leitantrag stellt die spd ihre pläne zum umbau von wirtschaft und gesellschaft vor sie kündigt

briefe an den reichtum by carl amery - May 21 2022

web sep 14 2023 briefe an den reichtum by carl amery 80 tolle sprüche amp zitate für die beste freundin für briefe an den reichtum 2005 von carl amery briefe aus dem

**hrsg briefe an den reichtum von amery carl 2005 zvab** - Jan 17 2022

web briefe an den reichtum foto des verkäufers größeres bild ansehen hrsg briefe an den reichtum amery carl verlag münchen luchterhand 2005 2005 gebraucht

**passende briefvorlage und musterbrief finden deutsche** - Aug 04 2023

web sie können wählen ob ihr brief digital an eine e post adresse oder wie gewohnt in papierform an eine postadresse zugestellt werden soll e post mailer entdecken die

*250 jahre alte briefe das größte gefühl das ich bisher erlebt* - Dec 28 2022

web wissenschaftler der universität cambridge haben 250 jahre alte briefe entdeckt die aufschluss über das leben im 18 jahrhundert geben ein professor für europäische

**amery c briefe an den reichtum 9783630871868 zvab** - Mar 31 2023

web die briefe an den reichtum lüften ein paar zipfel dieses schleiers die motivation der absender ist kein sozialneid aber zorn zorn insbesondere wenn der brief an die neue

**amery briefe reichertum zvab** - Nov 26 2022

web briefe an den reichertum carl amery hrsg von amery carl herausgeber und eine große auswahl ähnlicher bücher kunst und sammlerstücke erhältlich auf zvab com

deutsche post briefe in deutschland layer gewicht - May 09 2021

web ratgeber briefe in deutschland waren gegenstände waren gegenstände bücher und warensendung geld wertvolles groß maxibrief päckchen paket

**9783630871868 amery c briefe an den reichertum zvab** - Sep 24 2022

web briefe an den reichertum von amery carl und eine große auswahl ähnlicher bücher kunst und sammlerstücke erhältlich auf zvab com

nach 265 jahren beschlagnahmte briefe an seeleute geöffnet - Jan 29 2023

web 5 hours ago hier finden sie informationen zu dem thema geschichte lesen sie jetzt nach 265 jahren beschlagnahmte briefe an seeleute geöffnet

*briefe an den reichertum hardcover march 2 2005 amazon com* - Dec 16 2021

web mar 2 2005 briefe an den reichertum amery carl on amazon com free shipping on qualifying offers briefe an den reichertum

**briefe an den reichertum cyberlab sutd edu sg** - Mar 19 2022

web briefe an den reichertum chajim h steinthal sprachwissenschaftler und philosoph im 19 jahrhundert chajim h steinthal linguist and philosopher in the 19th century jun 17

*briefe an den reichertum carl amery ab 1 93* - Jul 23 2022

web zorn insbesondere wenn der brief an die neue geldaristokratie gerichtet ist dieser neue geldreichtum der flexibelste und unpersönlichste der geschichte hat ältere oft

für den zustand der spd ist dieser leitantrag ein gutes zeichen - Jun 09 2021

web 4 hours ago sozialpolitik spd in einem leitantrag stellt die spd ihre pläne zum umbau von wirtschaft und gesellschaft vor sie kündigt wirtschaftsliberale prinzipien wie die

**briefe an den reichertum amery carl amazon de bücher** - Sep 05 2023

web dieser neue geldreichtum der flexibelste und unpersönlichste der geschichte hat ältere oft prunkvollere aber weniger ertragreiche formen des reichertums wie etwa den

carl amery briefe an den reichertum buch deutsch 2005 - Jun 21 2022

web entdecke carl amery briefe an den reichertum buch deutsch 2005 272 s in großer auswahl vergleichen angebote und preise online kaufen bei ebay kostenlose lieferung

*carl amery hrsg briefe an den reichertum deutschlandfunk de* - Nov 14 2021

web jun 27 2005 die heuschrecken debatte vorausahnend versammelte amery darin 13 briefe an den reichum die adressaten reichen von oliver kahn bis hin zum

*briefe an den reichum carl amery 9783630871868 boeken* - Apr 19 2022

web briefe an den reichum hardcover während es über die probleme der armut jede menge diskussionen gibt ist es dem reichum gelungen inmitten unserer

**briefe an den reichum 2005 edition open library** - Jul 03 2023

web briefe an den reichum by carl amery 2005 lucherhand edition in german deutsch 1 auf

porto für briefe in deutschland briefporto 2023 deutsche post - Jul 11 2021

web für briefe und pakete national und international porto jetzt berechnen alle porto preise 2023 für briefe in deutschland auf einen blick was kostet eine briefmarke für

briefe von seefahrern historischer fund an der universität - May 01 2023

web nov 7 2023 französische seeleute die während des siebenjährigen krieges von den briten gefangen genommen wurden erhielten während ihrer zeit im gefängnis briefe

*briefe an den reichum gebundenes buch buchhaus reisen* - Jun 02 2023

web während es über die probleme der armut jede menge diskussionen gibt ist es dem reichum gelungen inmitten unserer gesellschaft sozusagen als verschleiertes idol zu

**briefe an den reichum uniport edu ng** - Sep 12 2021

web aug 12 2023 briefe an den reichum below die brief an die kolosser philipper und an philemon erich haupt 1897 die pastoralbriefe des apostels paulus briefe an timotheus

**carl amery hg briefe an den reichum perlentaucher** - Oct 14 2021

web dieser neue geldreichtum der flexibelste und unpersönlichste der geschichte hat ältere oft prunkvollere aber weniger ertragreiche formen des reichums wie etwa den