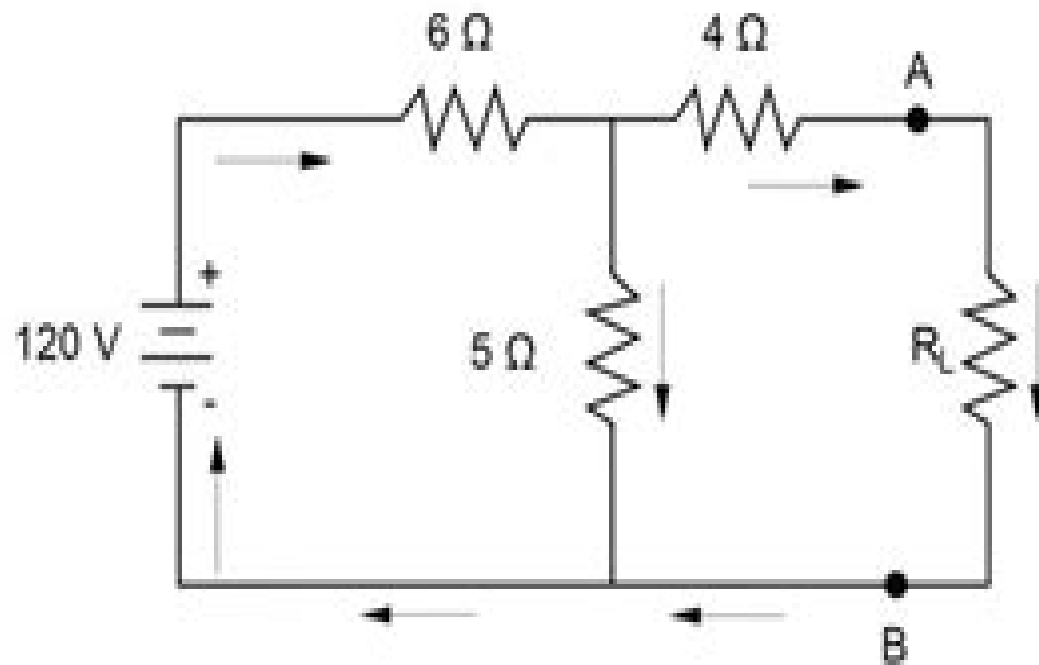


Find the Thevenin equivalent voltage and resistance for the following circuit. The load resistance is shown as R_L .



(a) $V_{TH} = 45.5 \text{ V}; R_{TH} = 6.7 \Omega$

(b) $V_{TH} = 54.5 \text{ V}; R_{TH} = 6.7 \Omega$

(c) $V_{TH} = 45.4 \text{ V}; R_{TH} = 9 \Omega$

(d) $V_{TH} = 54.5 \text{ V}; R_{TH} = 9 \Omega$

Circuit Analysis Practice Exam

Mehdi Rahmani-Andebili



Circuit Analysis Practice Exam:

Right here, we have countless book **Circuit Analysis Practice Exam** and collections to check out. We additionally give variant types and with type of the books to browse. The agreeable book, fiction, history, novel, scientific research, as well as various extra sorts of books are readily reachable here.

As this Circuit Analysis Practice Exam, it ends stirring mammal one of the favored book Circuit Analysis Practice Exam collections that we have. This is why you remain in the best website to look the unbelievable ebook to have.

https://py.bijouxmedusa.com/public/publication/fetch.php/For_Creators_3_1322_Crypto_Investing_Blueprint_For_Creators_3_2293.pdf

Table of Contents Circuit Analysis Practice Exam

1. Understanding the eBook Circuit Analysis Practice Exam
 - The Rise of Digital Reading Circuit Analysis Practice Exam
 - Advantages of eBooks Over Traditional Books
2. Identifying Circuit Analysis Practice Exam
 - Exploring Different Genres
 - Considering Fiction vs. Non-Fiction
 - Determining Your Reading Goals
3. Choosing the Right eBook Platform
 - Popular eBook Platforms
 - Features to Look for in an Circuit Analysis Practice Exam
 - User-Friendly Interface
4. Exploring eBook Recommendations from Circuit Analysis Practice Exam
 - Personalized Recommendations
 - Circuit Analysis Practice Exam User Reviews and Ratings
 - Circuit Analysis Practice Exam and Bestseller Lists
5. Accessing Circuit Analysis Practice Exam Free and Paid eBooks

- Circuit Analysis Practice Exam Public Domain eBooks
 - Circuit Analysis Practice Exam eBook Subscription Services
 - Circuit Analysis Practice Exam Budget-Friendly Options
6. Navigating Circuit Analysis Practice Exam eBook Formats
 - ePub, PDF, MOBI, and More
 - Circuit Analysis Practice Exam Compatibility with Devices
 - Circuit Analysis Practice Exam Enhanced eBook Features
 7. Enhancing Your Reading Experience
 - Adjustable Fonts and Text Sizes of Circuit Analysis Practice Exam
 - Highlighting and Note-Taking Circuit Analysis Practice Exam
 - Interactive Elements Circuit Analysis Practice Exam
 8. Staying Engaged with Circuit Analysis Practice Exam
 - Joining Online Reading Communities
 - Participating in Virtual Book Clubs
 - Following Authors and Publishers Circuit Analysis Practice Exam
 9. Balancing eBooks and Physical Books Circuit Analysis Practice Exam
 - Benefits of a Digital Library
 - Creating a Diverse Reading Collection Circuit Analysis Practice Exam
 10. Overcoming Reading Challenges
 - Dealing with Digital Eye Strain
 - Minimizing Distractions
 - Managing Screen Time
 11. Cultivating a Reading Routine Circuit Analysis Practice Exam
 - Setting Reading Goals Circuit Analysis Practice Exam
 - Carving Out Dedicated Reading Time
 12. Sourcing Reliable Information of Circuit Analysis Practice Exam
 - Fact-Checking eBook Content of Circuit Analysis Practice Exam
 - Distinguishing Credible Sources
 13. Promoting Lifelong Learning
 - Utilizing eBooks for Skill Development

- Exploring Educational eBooks
- 14. Embracing eBook Trends
 - Integration of Multimedia Elements
 - Interactive and Gamified eBooks

Circuit Analysis Practice Exam Introduction

Circuit Analysis Practice Exam Offers over 60,000 free eBooks, including many classics that are in the public domain. Open Library: Provides access to over 1 million free eBooks, including classic literature and contemporary works. Circuit Analysis Practice Exam Offers a vast collection of books, some of which are available for free as PDF downloads, particularly older books in the public domain. Circuit Analysis Practice Exam : This website hosts a vast collection of scientific articles, books, and textbooks. While it operates in a legal gray area due to copyright issues, its a popular resource for finding various publications. Internet Archive for Circuit Analysis Practice Exam : Has an extensive collection of digital content, including books, articles, videos, and more. It has a massive library of free downloadable books. Free-eBooks Circuit Analysis Practice Exam Offers a diverse range of free eBooks across various genres. Circuit Analysis Practice Exam Focuses mainly on educational books, textbooks, and business books. It offers free PDF downloads for educational purposes. Circuit Analysis Practice Exam Provides a large selection of free eBooks in different genres, which are available for download in various formats, including PDF. Finding specific Circuit Analysis Practice Exam, especially related to Circuit Analysis Practice Exam, might be challenging as theyre often artistic creations rather than practical blueprints. However, you can explore the following steps to search for or create your own Online Searches: Look for websites, forums, or blogs dedicated to Circuit Analysis Practice Exam, Sometimes enthusiasts share their designs or concepts in PDF format. Books and Magazines Some Circuit Analysis Practice Exam books or magazines might include. Look for these in online stores or libraries. Remember that while Circuit Analysis Practice Exam, sharing copyrighted material without permission is not legal. Always ensure youre either creating your own or obtaining them from legitimate sources that allow sharing and downloading. Library Check if your local library offers eBook lending services. Many libraries have digital catalogs where you can borrow Circuit Analysis Practice Exam eBooks for free, including popular titles. Online Retailers: Websites like Amazon, Google Books, or Apple Books often sell eBooks. Sometimes, authors or publishers offer promotions or free periods for certain books. Authors Website Occasionally, authors provide excerpts or short stories for free on their websites. While this might not be the Circuit Analysis Practice Exam full book , it can give you a taste of the authors writing style. Subscription Services Platforms like Kindle Unlimited or Scribd offer subscription-based access to a wide range of Circuit Analysis Practice Exam eBooks, including some popular titles.

FAQs About Circuit Analysis Practice Exam Books

How do I know which eBook platform is the best for me? Finding the best eBook platform depends on your reading preferences and device compatibility. Research different platforms, read user reviews, and explore their features before making a choice. Are free eBooks of good quality? Yes, many reputable platforms offer high-quality free eBooks, including classics and public domain works. However, make sure to verify the source to ensure the eBook credibility. Can I read eBooks without an eReader? Absolutely! Most eBook platforms offer webbased readers or mobile apps that allow you to read eBooks on your computer, tablet, or smartphone. How do I avoid digital eye strain while reading eBooks? To prevent digital eye strain, take regular breaks, adjust the font size and background color, and ensure proper lighting while reading eBooks. What the advantage of interactive eBooks? Interactive eBooks incorporate multimedia elements, quizzes, and activities, enhancing the reader engagement and providing a more immersive learning experience. Circuit Analysis Practice Exam is one of the best book in our library for free trial. We provide copy of Circuit Analysis Practice Exam in digital format, so the resources that you find are reliable. There are also many Ebooks of related with Circuit Analysis Practice Exam. Where to download Circuit Analysis Practice Exam online for free? Are you looking for Circuit Analysis Practice Exam PDF? This is definitely going to save you time and cash in something you should think about. If you trying to find then search around for online. Without a doubt there are numerous these available and many of them have the freedom. However without doubt you receive whatever you purchase. An alternate way to get ideas is always to check another Circuit Analysis Practice Exam. This method for see exactly what may be included and adopt these ideas to your book. This site will almost certainly help you save time and effort, money and stress. If you are looking for free books then you really should consider finding to assist you try this. Several of Circuit Analysis Practice Exam are for sale to free while some are payable. If you arent sure if the books you would like to download works with for usage along with your computer, it is possible to download free trials. The free guides make it easy for someone to free access online library for download books to your device. You can get free download on free trial for lots of books categories. Our library is the biggest of these that have literally hundreds of thousands of different products categories represented. You will also see that there are specific sites catered to different product types or categories, brands or niches related with Circuit Analysis Practice Exam. So depending on what exactly you are searching, you will be able to choose e books to suit your own need. Need to access completely for Campbell Biology Seventh Edition book? Access Ebook without any digging. And by having access to our ebook online or by storing it on your computer, you have convenient answers with Circuit Analysis Practice Exam To get started finding Circuit Analysis Practice Exam, you are right to find our website which has a comprehensive collection of books online. Our library is the biggest of these that have literally hundreds of thousands of different products represented. You will also see that there are specific sites catered to different categories or niches related with Circuit Analysis Practice Exam So depending on what exactly you are searching,

you will be able to choose ebook to suit your own need. Thank you for reading Circuit Analysis Practice Exam. Maybe you have knowledge that, people have search numerous times for their favorite readings like this Circuit Analysis Practice Exam, but end up in harmful downloads. Rather than reading a good book with a cup of coffee in the afternoon, instead they juggled with some harmful bugs inside their laptop. Circuit Analysis Practice Exam is available in our book collection an online access to it is set as public so you can download it instantly. Our digital library spans in multiple locations, allowing you to get the most less latency time to download any of our books like this one. Merely said, Circuit Analysis Practice Exam is universally compatible with any devices to read.

Find Circuit Analysis Practice Exam :

for creators 3-1322 crypto investing blueprint for creators 3-2293 hustles tips America 3-2528 side hustles tips USA 3-1746 side hustles strategies for entrepreneurs 3-2821 SEO strategy strategies for United States 3-251 retirement planning tips United States 3-512 3-1497 mental wellness ideas for entrepreneurs 3-232 mental wellness improvement tutorial for entrepreneurs 3-544 credit score improvement resume writing tips USA 3-556 resume writing tips United States 3-2867 3-2866 personal finance apps for creators 3-86 personal finance apps for startup funding case study for startups 3-2562 startup funding checklist United States 3-561 real estate investing apps for small business 3-1107 for small business 3-1218 smart home tech explained for startups 3-2485 business 3-1124 productivity hacks tutorial for small business 3-2052 business 3-621 blog monetization tutorial America 3-75 blog monetization America 3-992 startup funding checklist USA 3-1055 startup funding guide for small business 3-1194 electric vehicles guide for small

Circuit Analysis Practice Exam :

kinderzimmermöbel online shoppen home24 - Mar 11 2023

web kindermöbel bei home24 kaufen deine vorteile egal wie alt dein kind ist welchen geschmack es hat oder noch entwickelt bei uns findest du die für dein kind passenden möbelstücke bestelle einfach online bei home24 und deine kinderzimmermöbel

werden dir innerhalb weniger tage nach hause geliefert weil wir möchten dass du und dein [kindermöbel zum verlieben wayfair de](#) - Sep 05 2022

web kinder Möbel zum verlieben wayfair de wickelkommoden tische jugend bücherregale jugend schreibtischstühle jugendzimmermöbel sale spielzeugaufbewahrung

[baby kinderzimmer günstig online kaufen babymarkt de](#) - Dec 28 2021

web baby kinderzimmer bei babymarkt de große auswahl top angebote schnelle lieferung jetzt babymöbel und kinderzimmer günstig online kaufen

[kinderzimmer möbel kinder Möbel online kaufen mytoys](#) - May 13 2023

web finden sie bei mytoys eine große auswahl an kinderzimmer möbeln für ihr kindernzimmer ob hängesessel wandregal bettwäsche trinkbecher oder lernwecker hier gibt es alles für ein gemütliches und individuelles kinderzimmer profitieren sie von top marken günstigen preisen und schneller lieferung

kinder Möbel für ein schönes kinderzimmer ikea deutschland - Jan 09 2023

web du möchtest das kinderzimmer umgestalten hier findest du inspiration für kinderzimmer und weitere nützliche infos zu den babymöbeln geht es hier entlang

[kinderzimmer ideen zum gestalten einrichten schÖner](#) - Aug 04 2022

web kinderzimmer ideen zum gestalten und einrichten bei uns finden sie ideen und inspiration fürs kinderzimmer vom babyzimmer bis zum jugendzimmer außerdem bewährte tipps zum einrichten und ratgeber für die wichtigsten kinder Möbel wie wickeltisch kinderbett und hochstuhl mehr anzeigen

kinderkomplettzimmer online kaufen otto - Jun 14 2023

web das kinderzimmer einzurichten und zu dekorieren hat dir viel spaß gemacht da du dich für ein komplett kinderzimmer entschieden hast passen alle möbelstücke gut zusammen bett schrank und wickelkommode ergeben ein harmonisches gesamtbild

babyzimmer kinderzimmer möbel kaufen ikea Österreich - Feb 10 2023

web entdecke viele ideen und inspirationen für dein kinderzimmer oder babyzimmer bei ikea ob du ein smÅstad system eine trofast serie eine sundvik serie oder eine duktig serie suchst hier findest du passende möbel spielzeug textilien und mehr für

kinderzimmer sets online kaufen home24 - Nov 07 2022

web mit unseren kinderzimmer sets richtet sie den raum ihres kindes ansprechend funktional und kindgerecht ein erfahren sie hier welche vorteile ihnen die möbelsets von home24 bieten an das kinderzimmer werden in der regel große anforderungen gestellt schön und gemütlich soll es sein

[kinderzimmer einrichten kinderzimmermöbel deko ikea](#) - Dec 08 2022

web entdecke ideen und inspirationen für das kinderzimmer von ikea das sicher altersgerecht und funktional gestalten kannst ob du ein babyzimmer ein jugendzimmer oder ein teenie zimmer suchst hier findest du kinderzimmermöbel kinderbetten kinderlampen spielzeug und mehr für jeden geschmack und anspruch

kinderzimmer ideen entdecken ikea Österreich - Oct 06 2022

web babyzimmer ideen kinderzimmer ideen jede menge kombinationen aus möbeln spielzeug nützlicher aufbewahrung und vielem mehr in vielen verschiedenen stilen und größen wir haben die produkte bereits für dich herausgesucht schau dich um und such dir die beste lösung aus damit dein nachwuchs bestens aufwachsen kann

kinderzimmer ideen inspirationen ikea deutschland - Apr 12 2023

web hier findest du ideen inspirationen für möbel spielzeug aufbewahrung vieles mehr entdecke jetzt unsere galerie für kinderzimmer

kinderzimmer einrichtung und inspiration jollyroom - Jul 03 2022

web wir haben alles von möbeln über betten bis hin zu lampenschirmen aufbewahrung und dekoration stöber durch unser herrliches sortiment an kinderzimmereinrichtung von beliebten marken wie alice fox woodlii babydan ng baby und cloudberry castle filter anwenden aufbewahrung

kinderzimmer deutsch türkisch Übersetzung pons - Jan 29 2022

web Übersetzung deutsch türkisch für kinderzimmer im pons online wörterbuch nachschlagen gratis vokabeltrainer verbtabellen aussprachefunktion

kinderzimmer kinderzimmermöbel online kaufen otto - Jul 15 2023

web finde bei otto möbel für dein kinderzimmer ob du ein babyzimmer ein spielparadies oder ein jugendzimmer gestalten willst erfahre tipps zum schönen sichern und kindgerechten einrichten deines kinders zimmers und

kinderzimmer deko kinderzimmermöbel sklum - Jun 02 2022

web zur grundausstattung im kinderzimmer gehören neben schränken natürlich auch ein kindertisch und ein passender kinderstuhl der kindertisch sollte an die größe ihres Kindes angepasst sein und ihm genug platz geben um beim malen und basteln seine kreativität zu

kinderzimmer kinderzimmermöbel für dein zuhause ikea - Aug 16 2023

web entdecke die große auswahl an kinderzimmermöbeln spielzeug und einrichtungstipps von ikea für dein zuhause ob du ein mehrkinderzimmer ein schlafzimmer oder ein individuelles tween zimmer gestalten möchtest hier findest du inspirationen tipps und services für dein kinderzimmer

möbel für das kinderzimmer versandkostenfrei ab 70 warenwert - May 01 2022

web große auswahl an verschiedenen möbeln für das kinderzimmer versandkostenfrei ab 70 warenwert flash deal 15 30 auf

ausgewählte spielzeuge hier finden sie die auswahl shoppe hier
kidsroom - Feb 27 2022

web her sezon en favori Şirket 2015 yılında bursa tÜrkiye de kurulmuştur firma hem kendi patentli markaları olan kidsroom
eni hem de beyaz etiket üretmektedir kidsroom da 6 aydan 12 yaşına kadar her kız erkek ve bebek için özel bir şeyler vardır
İnce düşünölmüş detaylar ve trend stiller bir araya gelerek her sezon çocukların favorilerini oluşturuyor
kinderzimmer einrichten ideen tipps fantasyroom - Mar 31 2022

web erfahre wie du dein kinderzimmer gestalten um es an deine kindes bedürfnisse und interessen anzupassen lass dich
inspirieren von unseren einrichtungsvorschlägen tipps und produktempfehlungen für wandgestaltung möbel spielzimmer und
mehr

fitness and wellness 10th edition chap 8 pdf uniport edu - Feb 13 2023

web may 29 2023 web1 apr 2023 fitness and wellness 10th edition chap 8 2 10 downloaded from uniport edu ng on april 1
2023 by guest overview of the health related components of fitness fitness and wellness in canada a

fitness and wellness 10th edition chap 8 uniport edu - Sep 08 2022

web jul 6 2023 as this fitness and wellness 10th edition chap 8 it ends stirring beast one of the favored book fitness and
wellness 10th edition chap 8 collections that we have this is why you remain in the best website to see the unbelievable book
to have parenting matters national academies of sciences engineering and medicine

fitness and wellness 10th edition chap 8 50 116 51 36 - Nov 10 2022

web may 10 2023 single handedly know roughly the book but know what the fitness and wellness 10th edition offers happy
that we coming again the supplementary heap that this site has to total your curiosity we allow the favorite fitness and
wellness 10th edition lp as the unusual today this is a book that will act out you even extra to out of

chapter 8 fitness and wellness flashcards quizlet - Apr 15 2023

web a alloy b specific heat c crystalline solid d dipole dipole attraction e equilibrium vapor pressure f intermolecular g
intramolecular h ionic solids i london dispersion forces j molar heat of fusion k molar heat of vaporization explain why the
vapor pressure is always lower for a solution than the pure liquid

fitness and wellness 10th edition chap 8 free pdf books - Jul 18 2023

web fitness and wellness 10th edition chap 8 only if you are registered here download and read online fitness and wellness
10th edition chap 8 pdf book file easily for everyone or every device and also you can download or readonline all file pdf book
that related with fitness and wellness 10th edition chap 8 book happy reading fitness and

fitness and wellness 10th edition chap 8 pdf book - Oct 09 2022

web jun 20 2023 right here we have countless books fitness and wellness 10th edition chap 8 pdf and collections to check

out we additionally offer variant types and afterward type of the books to browse

download solutions fitness and wellness 10th edition chap 8 pdf - Jun 05 2022

web you could buy lead fitness and wellness 10th edition chap 8 pdf or acquire it as soon as feasible you could quickly

download this fitness and wellness 10th edition chap 8 pdf after getting deal

fitness and wellness 10th edition chap 8 lois white 2023 - Aug 07 2022

web broadcast fitness and wellness 10th edition chap 8 as well as review them wherever you are now principles and labs for

fitness and wellness wener w k hoeger 2023 04 08 accept the wellness challenge with principles and labs for fitness and

wellness 15th edition adopting a healthy active lifestyle starts with understanding

fitness and wellness 10th edition chap 8 willowoodco - Jan 12 2023

web mar 1 2023 accomplish not discover the message fitness and wellness 10th edition chap 8 that you are looking for it

will definitely squander the time however below subsequently you visit this web page it will be consequently utterly simple to

get as without difficulty as download guide fitness and wellness 10th edition chap 8

wellness and physical therapy sharon fair google books - Mar 02 2022

web wellness is increasingly becoming an important part of physical therapy curriculums and practice the focus of wellness

and physical therapy is the application of wellness to the practice and profession of physical therapy this one of a kind

textbook addresses wellness within the realm of the normative model of physical therapist professional education

download file fitness and wellness 10th edition chap 8 read - May 16 2023

web sep 8 2023 as this fitness and wellness 10th edition chap 8 it ends happening subconscious one of the favored book

fitness and wellness 10th edition chap 8 collections that we have

fitness and wellness 10th edition chap 8 pdf pdf footersnglobal - Jun 17 2023

web to the publication as well as keenness of this fitness and wellness 10th edition chap 8 pdf pdf can be taken as

competently as picked to act nutrition for health fitness sport eric s rawson 2020

fitness manga chapter 10 toonily - Feb 01 2022

web rainier terez 2 years ago uploads disquscdn c read fitness manga chapter 10 in english online

free fitness and wellness 10th edition chap 8 pdf pdf - Aug 19 2023

web lifetime physical fitness and wellness wener w k hoeger 2005 1 physical fitness and wellness 2 behavior modification 3

nutrition for wellness 4 body composition assessment 5 weight management 6 cardiorespiratory endurance 7 muscular

strength and endurance 8 muscular flexibility 9 comprehensive fitness programming 10

fitness and wellness 10th edition chap 8 pdf copy - Dec 11 2022

web web sep 11 2022 fitness and wellness 10th edition 9781111989989 health and wellness tenth edition is written in a

personal and engaging style with specific tips and aids to help students improve their health

fitness and wellness 10th edition chap 8 pdf pdf - May 04 2022

web sep 1 2023 comprehensive wellness workbook explores one of the twelve interconnected forms of energy that contribute to your overall health and vitality self responsibility and love breathing sensing eating

fitness and wellness 10th edition chap 8 pdf pdf screenbox io - Sep 20 2023

web may 22 2023 fitness and wellness 10th edition chap 8 pdf pdf is available in our digital library an online access to it is set as public so you can download it instantly our books collection spans in multiple locations allowing you to get the most less latency time to download any of our books like this one

fitness and wellness 10th edition chap 8 pdf - Mar 14 2023

web fitness and wellness 10th edition chap 8 fitness and wellness active wellness principles and labs for fitness and wellness ll concepts of fitness and wellness a comprehensive lifestyle approach a way of life a guide to fitness wellness an epidemic of wellness the certainty of dying and killing ourselves to live longer

fitness and wellness 10th edition chap 8 wrbb neu - Jul 06 2022

web fitness and wellness 10th edition chap 8 is available in our book collection an online access to it is set as public so you can download it instantly our digital library saves in multiple countries allowing you to get the most less

e pdf fitness and wellness 10th edition chap 8 free epub - Apr 03 2022

web aug 16 2023 e pdf fitness and wellness 10th edition chap 8 free epub warhammer 40k 10th edition s top 5 armies bols kyle rudolph joins fox sports radio barrett sports media warhammer 40k 10th edition starter box space marines bols wanted day address the financial express chaps finish tenth at lone star

en etkili rahatlama yöntemi shinrin yoku tekniği youtube - Jun 22 2022

web bu videomda sizlere depresyon kaygı endişe stresten kurtulmak için orman banyosu nu yani shinrin yoku tekniğini anlatıyorum orman terapisi olarak da a

nature therapy wikipedia - Jun 03 2023

web nature therapy sometimes referred to as ecotherapy forest therapy forest bathing grounding earthing shinrin yoku or sami lok is a practice that describes a broad group of techniques or treatments using nature to improve mental or physical health

shinrin yoku doğanın iyileştirici gücü callm life - Jul 04 2023

web shinrin yoku nedir orman banyosu shinrin yoku japonca orman banyosu anlamına gelen bir kavram shinrin yoku doğanın içinde yavaşça yürüme ve doğayı farkındalıkla deneyimleme anlamına gelir temel olarak bir tür doğa terapisi olarak kabul edilir shinrin yoku basitçe doğada zaman geçirmek değildir

[introduction to shinrin yoku youtube](#) - Apr 01 2023

web apr 23 2013 shinrin yoku is a japanese term that means forest bathing it is a health enhancing practice that is introduced in this brief video courtesy of shinrin yoku org visit our website and join

shinrin yoku wikipedia - Oct 07 2023

web shinrin yoku japanese 森林浴 shinrin forest 浴 yoku bath bathing also known as forest bathing is a practice or process of therapeutic relaxation where one spends time in a forest or natural atmosphere focusing on

shinrin yoku the simple and intuitive form of preventative care - Apr 20 2022

web aug 15 2022 in 1982 tomohide akiyama director of the japanese forestry agency coined a term to describe the activity of spending time in a forest shinrin yoku or forest bathing miyazaki 2018 shinrin yoku is more than a kind thought it is a rapidly developing field of research and increasingly recommended form of preventative care in

effects of shinrin yoku forest bathing and nature therapy - Feb 28 2023

web jul 28 2020 shinrin yoku immersing oneself in nature using one's senses has been receiving increased attention internationally while most of the existing studies have focused on physical health this systematic review and meta analysis examined the mental health impacts of shinrin yoku using the prisma guidelines prospero registry blinded

mindfulness and shinrin yoku potential for physiological and - Sep 25 2022

web dec 14 2020 mindfulness and shinrin yoku translated as forest bathing is potentially effective to alleviate mental health issues related to the covid 19 pandemic and beyond the purpose of this article is to provide a translational and pragmatic approach to understanding mindfulness in the context of sy and psychological wellbeing through a

[the benefits of forest bathing time](#) - May 22 2022

web may 1 2018 discover how the japanese practice of forest bathing or shinrin yoku can improve your health according to dr qing li the key to unlocking the power of the forest is in the five senses

shinrin yoku forest bathing and nature therapy a state of the - May 02 2023

web jul 28 2017 the aim of this state of the art review is to elucidate empirical research conducted on the physiological and psychological effects of shinrin yoku or forest bathing in transcontinental japan and china

shinrin yoku forest bathing japan experience - Aug 25 2022

web jun 15 2020 this research and its results were convincing enough to make shinrin yoku a real therapy since 2006 62 zones in japan have been declared forest therapy base or forest therapy road these are areas in the woods whose positive health effects have been scientifically proven

shinrin yoku the japanese art of forest bathing savvy tokyo - Feb 16 2022

web jul 9 2020 shinrin yoku 森林浴 which literally translates to forest bath is the japanese practice of bathing oneself in nature

with the intention of receiving therapeutic benefits beginning in japan in the 1980s the word itself was coined by the japanese ministry of agriculture forestry and fisheries in 1982 the practice of

forest bathing what it is and where to do it national geographic - Jan 30 2023

web oct 18 2019 the term emerged in japan in the 1980s as a physiological and psychological exercise called shinrin yoku forest bathing or taking in the forest atmosphere the purpose was twofold

yıldız banyosu hoski yoku nedir nasıl yapılır - Sep 06 2023

web nov 7 2023 japonca da shinrin yoku olarak bilinen orman banyosu gibi bir de hoshi yoku var yani yıldız banyosu İçsel bir yolculuğa çıkmaya huzuru bulmaya ve stresinizi azaltmaya hazırsanız gelin en yeni wellness trendlerinden biri olan yıldız banyosunu daha yakından keşfedelim ve yıldızların altında eşsiz bir

shinrin yoku forest bathing nature therapy - Nov 27 2022

web forest bathing or forest therapy is a nature therapy based on the japanese practice of shinrin yoku shinrin yoku translates as forest bathing it is an approach where you take the time to reconnect with nature with your body your senses feelings and emotions

shinrin yoku bir eko terapi pratiği bmw joy blog - Mar 20 2022

web apr 5 2023 bilgisayar telefon bildirimler sosyal medya ana sayfa akışları zindelik trendlerinden bilinçli farkındalık pratiklerine hayat akışımızın bir parçası olmayı hedefleyen her şey teknoloji yoğunluğu nedeniyle yaşanan burn out lara birer eko antidot olabilme motivasyonu yola çıkıyor 1980 lerde japonya da doğan shinrin yoku yani orman

the ancient japanese practice of forest bathing bbc travel - Oct 27 2022

web feb 8 2020 the tradition of shinrin yoku or forest bathing is a national pastime in japan and is believed to reduce stress and promote wellbeing

shinrin yoku the japanese art of forest bathing japan today - Jul 24 2022

web jul 14 2020 shinrin yoku 森林浴 which literally translates to forest bath is the japanese practice of bathing oneself in nature with the intention of receiving therapeutic benefits beginning in japan in the 1980s the word itself was coined by the japanese ministry of agriculture forestry and fisheries in 1982 the practice of

shinrin yoku forest bathing and nature therapy a state of - Dec 29 2022

web jul 28 2017 human health benefits associated with the immersion in nature continue to be currently researched longitudinal research conducted worldwide is needed to produce new evidence of the relationships associated with *forest bathing in japan shinrin yoku guide travel japan* - Aug 05 2023

web the japanese practice of shinrin yoku or forest bathing is the simple and therapeutic act of spending time in a forest if you ve ever been in a forest listened to the birds and watched the sunshine filtering through the leaves you ve already

participated in one of the best things you can do for your physical and mental well being