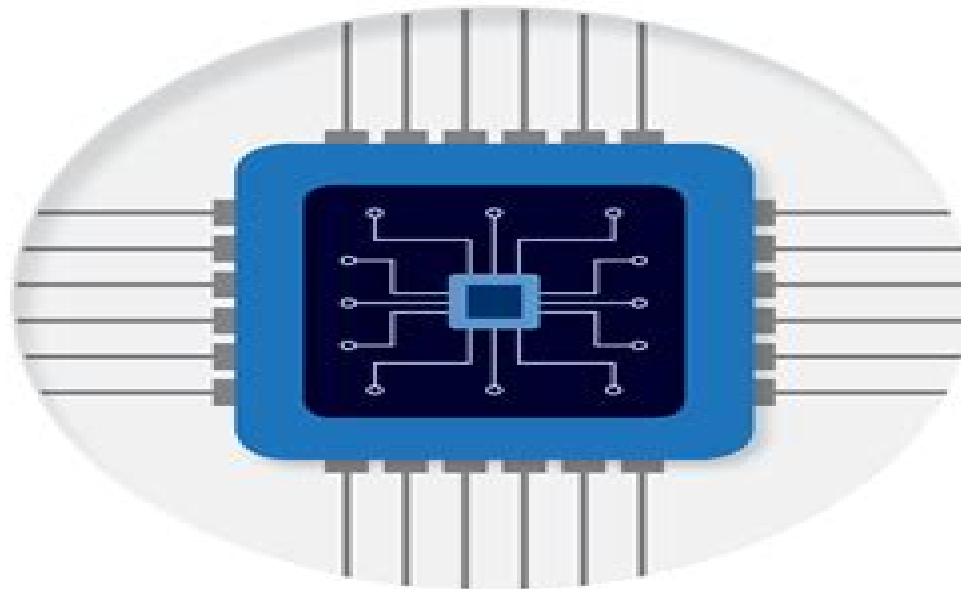


SEDRA/SMITH

Microelectronic Circuits

EIGHTH EDITION

ADEL S. SEDRA | KENNETH C. SMITH | TONY CHAN CARUSONE | VINCENT GAUDET



Microelectronic Circuits 5th Edition Scribd

CH Cherryholmes



Microelectronic Circuits 5th Edition Scribd:

This is likewise one of the factors by obtaining the soft documents of this **Microelectronic Circuits 5th Edition Scribd** by online. You might not require more times to spend to go to the books opening as with ease as search for them. In some cases, you likewise complete not discover the notice Microelectronic Circuits 5th Edition Scribd that you are looking for. It will no question squander the time.

However below, subsequently you visit this web page, it will be consequently enormously simple to get as capably as download lead Microelectronic Circuits 5th Edition Scribd

It will not admit many time as we tell before. You can reach it though play a role something else at home and even in your workplace. correspondingly easy! So, are you question? Just exercise just what we have the funds for below as capably as evaluation **Microelectronic Circuits 5th Edition Scribd** what you past to read!

https://py.bijouxmedusa.com/results/virtual-library/Documents/An_Entire_Mba_In_1_Book_From_The_Author_Of_The_Online_Course_An_Entire_Mba_In_1_Course.pdf

Table of Contents Microelectronic Circuits 5th Edition Scribd

1. Understanding the eBook Microelectronic Circuits 5th Edition Scribd
 - The Rise of Digital Reading Microelectronic Circuits 5th Edition Scribd
 - Advantages of eBooks Over Traditional Books
2. Identifying Microelectronic Circuits 5th Edition Scribd
 - Exploring Different Genres
 - Considering Fiction vs. Non-Fiction
 - Determining Your Reading Goals
3. Choosing the Right eBook Platform
 - Popular eBook Platforms
 - Features to Look for in an Microelectronic Circuits 5th Edition Scribd
 - User-Friendly Interface

4. Exploring eBook Recommendations from Microelectronic Circuits 5th Edition Scribd
 - Personalized Recommendations
 - Microelectronic Circuits 5th Edition Scribd User Reviews and Ratings
 - Microelectronic Circuits 5th Edition Scribd and Bestseller Lists
5. Accessing Microelectronic Circuits 5th Edition Scribd Free and Paid eBooks
 - Microelectronic Circuits 5th Edition Scribd Public Domain eBooks
 - Microelectronic Circuits 5th Edition Scribd eBook Subscription Services
 - Microelectronic Circuits 5th Edition Scribd Budget-Friendly Options
6. Navigating Microelectronic Circuits 5th Edition Scribd eBook Formats
 - ePub, PDF, MOBI, and More
 - Microelectronic Circuits 5th Edition Scribd Compatibility with Devices
 - Microelectronic Circuits 5th Edition Scribd Enhanced eBook Features
7. Enhancing Your Reading Experience
 - Adjustable Fonts and Text Sizes of Microelectronic Circuits 5th Edition Scribd
 - Highlighting and Note-Taking Microelectronic Circuits 5th Edition Scribd
 - Interactive Elements Microelectronic Circuits 5th Edition Scribd
8. Staying Engaged with Microelectronic Circuits 5th Edition Scribd
 - Joining Online Reading Communities
 - Participating in Virtual Book Clubs
 - Following Authors and Publishers Microelectronic Circuits 5th Edition Scribd
9. Balancing eBooks and Physical Books Microelectronic Circuits 5th Edition Scribd
 - Benefits of a Digital Library
 - Creating a Diverse Reading Collection Microelectronic Circuits 5th Edition Scribd
10. Overcoming Reading Challenges
 - Dealing with Digital Eye Strain
 - Minimizing Distractions
 - Managing Screen Time
11. Cultivating a Reading Routine Microelectronic Circuits 5th Edition Scribd
 - Setting Reading Goals Microelectronic Circuits 5th Edition Scribd
 - Carving Out Dedicated Reading Time

12. Sourcing Reliable Information of Microelectronic Circuits 5th Edition Scribd
 - Fact-Checking eBook Content of Microelectronic Circuits 5th Edition Scribd
 - Distinguishing Credible Sources
13. Promoting Lifelong Learning
 - Utilizing eBooks for Skill Development
 - Exploring Educational eBooks
14. Embracing eBook Trends
 - Integration of Multimedia Elements
 - Interactive and Gamified eBooks

Microelectronic Circuits 5th Edition Scribd Introduction

Microelectronic Circuits 5th Edition Scribd Offers over 60,000 free eBooks, including many classics that are in the public domain. Open Library: Provides access to over 1 million free eBooks, including classic literature and contemporary works. Microelectronic Circuits 5th Edition Scribd Offers a vast collection of books, some of which are available for free as PDF downloads, particularly older books in the public domain. Microelectronic Circuits 5th Edition Scribd : This website hosts a vast collection of scientific articles, books, and textbooks. While it operates in a legal gray area due to copyright issues, its a popular resource for finding various publications. Internet Archive for Microelectronic Circuits 5th Edition Scribd : Has an extensive collection of digital content, including books, articles, videos, and more. It has a massive library of free downloadable books. Free-eBooks Microelectronic Circuits 5th Edition Scribd Offers a diverse range of free eBooks across various genres. Microelectronic Circuits 5th Edition Scribd Focuses mainly on educational books, textbooks, and business books. It offers free PDF downloads for educational purposes. Microelectronic Circuits 5th Edition Scribd Provides a large selection of free eBooks in different genres, which are available for download in various formats, including PDF. Finding specific Microelectronic Circuits 5th Edition Scribd, especially related to Microelectronic Circuits 5th Edition Scribd, might be challenging as theyre often artistic creations rather than practical blueprints. However, you can explore the following steps to search for or create your own Online Searches: Look for websites, forums, or blogs dedicated to Microelectronic Circuits 5th Edition Scribd, Sometimes enthusiasts share their designs or concepts in PDF format. Books and Magazines Some Microelectronic Circuits 5th Edition Scribd books or magazines might include. Look for these in online stores or libraries. Remember that while Microelectronic Circuits 5th Edition Scribd, sharing copyrighted material without permission is not legal. Always ensure youre either creating your own or obtaining them from legitimate sources that allow sharing and downloading. Library Check if your local library offers eBook lending services. Many libraries have digital catalogs where you

can borrow Microelectronic Circuits 5th Edition Scribd eBooks for free, including popular titles. Online Retailers: Websites like Amazon, Google Books, or Apple Books often sell eBooks. Sometimes, authors or publishers offer promotions or free periods for certain books. Authors Website Occasionally, authors provide excerpts or short stories for free on their websites. While this might not be the Microelectronic Circuits 5th Edition Scribd full book, it can give you a taste of the authors writing style. Subscription Services Platforms like Kindle Unlimited or Scribd offer subscription-based access to a wide range of Microelectronic Circuits 5th Edition Scribd eBooks, including some popular titles.

FAQs About Microelectronic Circuits 5th Edition Scribd Books

What is a Microelectronic Circuits 5th Edition Scribd PDF? A PDF (Portable Document Format) is a file format developed by Adobe that preserves the layout and formatting of a document, regardless of the software, hardware, or operating system used to view or print it. **How do I create a Microelectronic Circuits 5th Edition Scribd PDF?** There are several ways to create a PDF: Use software like Adobe Acrobat, Microsoft Word, or Google Docs, which often have built-in PDF creation tools. Print to PDF: Many applications and operating systems have a "Print to PDF" option that allows you to save a document as a PDF file instead of printing it on paper. Online converters: There are various online tools that can convert different file types to PDF. **How do I edit a Microelectronic Circuits 5th Edition Scribd PDF?** Editing a PDF can be done with software like Adobe Acrobat, which allows direct editing of text, images, and other elements within the PDF. Some free tools, like PDFescape or Smallpdf, also offer basic editing capabilities. **How do I convert a Microelectronic Circuits 5th Edition Scribd PDF to another file format?** There are multiple ways to convert a PDF to another format: Use online converters like Smallpdf, Zamzar, or Adobe Acrobats export feature to convert PDFs to formats like Word, Excel, JPEG, etc. Software like Adobe Acrobat, Microsoft Word, or other PDF editors may have options to export or save PDFs in different formats. **How do I password-protect a Microelectronic Circuits 5th Edition Scribd PDF?** Most PDF editing software allows you to add password protection. In Adobe Acrobat, for instance, you can go to "File" -> "Properties" -> "Security" to set a password to restrict access or editing capabilities. Are there any free alternatives to Adobe Acrobat for working with PDFs? Yes, there are many free alternatives for working with PDFs, such as: LibreOffice: Offers PDF editing features. PDFsam: Allows splitting, merging, and editing PDFs. Foxit Reader: Provides basic PDF viewing and editing capabilities. How do I compress a PDF file? You can use online tools like Smallpdf, I LovePDF, or desktop software like Adobe Acrobat to compress PDF files without significant quality loss. Compression reduces the file size, making it easier to share and download. Can I fill out forms in a PDF file? Yes, most PDF viewers/editors like Adobe Acrobat, Preview (on Mac), or various online tools allow you to fill out forms in PDF files by selecting text fields and entering information. Are there any

restrictions when working with PDFs? Some PDFs might have restrictions set by their creator, such as password protection, editing restrictions, or print restrictions. Breaking these restrictions might require specific software or tools, which may or may not be legal depending on the circumstances and local laws.

Find Microelectronic Circuits 5th Edition Scribd :

~~an entire mba in 1 book from the author of the online course an entire mba in 1 course~~

[ansys workbench 14 static structural tutorials npgmbh](#)

[answers for comprehension passages](#)

[answers to business statistics 8th edition](#)

anwb smartengeld

anne sexton a self portrait in letters

anthology of chinese literature volume i from early times to the fourteenth century

[answers to winningham case studies](#)

**analog design essentials the springer international series in engineering and computer science first edition by
sansen willy m c 2006 hardcover**

[analog synthesis the newbie guide to synthesizers and sound design](#)

answers to microeconomics problem set 3

~~answers to accounting questions~~

[ancient greek portrait sculpture assets](#)

answers to revision questions answers unit 1 biology

[answers for database processing 12th edition](#)

Microelectronic Circuits 5th Edition Scribd :

50 complete thank you note samples for awesome teachers teacher - Feb 26 2022

web apr 11 2023 any types of thank you note examples to your teacher to make saying thanks teacher from graduate or parents fun and easy express your gratitude for all that your teacher does with a heartfelt handwritten thank you message don t wait until the end of the school year conversely teacher appreciation day

how to write thank you messages from teachers to parents - Dec 07 2022

web sep 30 2021 it would be nice if teachers could show appreciation to parents with a thank you message to the

hardworking parents and encourage them you will get everything you need to write a perfect thank you message to the parents by following the guide the examples will help you frame your thank you message easily

50 best thank you teacher messages thank you notes for - Apr 11 2023

web apr 7 2023 thank you teacher messages from parents thank you for all the love care and dedication that you put into teaching our child we are beyond grateful for your guidance and support to the best teacher your hard work and dedication have not gone unnoticed words cannot capture my appreciation

teacher to parents thank you note samples wording ideas - Feb 09 2023

web below are sample wordings for a variety of teacher thank you notes to parents and students you can use them to help you draft an efficient but straightforward thank you notes to the students and parents thank you note from teacher 01 here is a student thank you note from a teacher for the appreciation of teacher s day gift dear john mac

33 teacher thank you notes from parents to show your - Aug 15 2023

web apr 22 2023 meaningful teacher thank you messages view download thank you for accepting my child for who they are and allowing them to learn in their own way you have had such an amazing impact on their education and have helped them to find a

creative thank you note to teacher from parent - Aug 03 2022

web keep it simple teachers have a lot going on even during the summer months keep your note simple yet impactful you don t need to write a kindergarten biography a simple i m so glad you took the time to educate and care for my child beyond what was expected of you we re really grateful will do

sample words of appreciation from teachers to parents write thank you - Apr 30 2022

web jan 18 2023 short thank you note examples to parents from teacher more example words of appreciation that a teacher might personalize to recognize the support and involvement of parents i would like to express my deepest appreciation for all of your support and involvement in your child s education

short and thoughtful teacher thank you notes from parents - Mar 30 2022

web oct 4 2022 23 shares today we have a list in thought appreciation you teacher messages from your these are perfect to write with a simple card to express my gratitude for superlative teachers make sure to reach and printable notes charts sample letter to parental as a parent you want to do everything you can to help your parent succeed

thank you note to teacher from parents tips and examples - Oct 05 2022

web dec 15 2021 thank you note to teacher from parents examples okay so the top three note writing principles sound simple in theory

write a thank you letter to a teacher examples cake blog - Nov 06 2022

web sep 14 2022 thank you letter to teacher examples odds are good you've had a teacher who helped you become a better or at least smarter person maybe you want to express your feelings by writing a thank you letter to that teacher this guide will help it offers tips and examples to ensure your thank you letter to a teacher makes the right

how to write the perfect thank you note to a teacher with 16 examples - Jan 28 2022

web feb 20 2023 an expression of gratitude what you're grateful for how they made you feel or helped your life bonus include a note picture or thought from your child says browne myers also loves this

50 complete thank you note samples for awesome teachers - Jan 08 2023

web apr 11 2023 all types of thank you note examples to your teacher to make saying thanks teacher from students or parents fun and easy express your gratitude for all that your teacher does with a heartfelt handwritten thank you note don't wait until the end of the school year or teacher appreciation day

thank you letter to parents from teacher how to templates examples - Jun 01 2022

web thank you letter to parents from teacher how to templates examples image source there might be many occasions where a teacher has received gifts or thank you letters from parents

thank you note to teacher from parent how to templates examples - Mar 10 2023

web if you intend to write a thank you letter to your child's teacher and cannot find the right words help is at hand here are some examples of thank you note to teacher from parent to give you a head start you can use these templates to get an idea about how to express thankfulness to your child's teacher in the best possible ways sample 1

thank you notes from teachers to students parents samples - Jul 02 2022

web here are wordings and examples for a variety of teacher thank you notes to students and parents i hope they are helpful as models or templates for your own notes and letters however if you still need help or inspiration then do please ask the thank you diva need help getting started see how to write a thank you note in 4 easy steps

121 best thank you teacher messages for parents and students - May 12 2023

web oct 23 2022 a list of thank you messages for teachers 1 sweet and heart touching messages for teachers from students teacher you always had faith in me even when i didn't thank you for helping me through this year of school i couldn't have done it without you teachers are our second parents friends and confidantes

ways to thank parents as a teacher ink - Sep 04 2022

web nov 4 2022 example of thank you message to parents as a teacher example appreciation letters from teachers example thank you letter 2 example thank you letter from a teacher 3 final words the core of every family is its parents they provide their children with unending love and support throughout their entire lives

sample thank you notes for preschool or kindergarten teachers - Dec 27 2021

web jun 3 2023 sample thank you card messages for your child s teacher thank you for caring for my child each and every day i ll never forget the difference you ve made in her his life thanks so much for being so passionate about teaching young children i cannot thank you enough for your influence on my child s growth and success

[how to write a thank you note to teacher examples](#) - Jun 13 2023

web may 5 2023 simple thank you note for teacher to ms fay thank you very much for all your hard work we feel so lucky that child got you for a teacher this year s he loves to talk about everything s he s learning and doing in your classroom thanks again mr sanders thank you note to preschool teacher dear miss lancey

short and thoughtful teacher thank you notes from parents - Jul 14 2023

web oct 4 2022 thank you for being such a great teacher to my child you are such an awesome teacher thank you for leading the future generation with your inspiring words all your selfless sacrifices are seen grab the thank you notes we made two different printable thank you notes you can grab to write your messages on or in

corporate finance the core plus mylab finance student access - Jul 03 2022

web corporate finance the core plus mylab finance student access kit international edition by jonathan berk peter demarzo research is in the area of corporate finance asset securitization and contracting as well as market structure and regulation
corporate finance the core student value edition plus - Mar 11 2023

web using the unifying framework based on the law of one price top researchers jonathan berk and peter demarzo set the new standard for corporate finance textbooks corporate finance blends coverage of time tested principles and the latest advancements with the practical perspective of the financial manager with this ideal melding of the core

corporate finance the core the core plus mylab finance - May 13 2023

web corporate finance the core the core plus mylab finance student access kit united states edition berk jonathan b demarzo peter m amazon com tr kitap

corporate finance the core plus mylab finance stud henry - May 01 2022

web corporate finance the core plus mylab finance stud it will not take many time as we notify before you can complete it though operate something else at house and even in your workplace so easy so are you question just exercise just what we find the money for below as well as evaluation corporate finance the core plus mylab finance stud

corporate finance the core student value edition plus mylab finance - Aug 16 2023

web corporate finance the core student value edition plus mylab finance with pearson etext access card package berk jonathan demarzo peter amazon com tr kitap

corporate finance the core plus mylab finance stud 2022 - Jan 29 2022

web corporate finance the core plus mylab finance stud is available in our digital library an online permission to it is set as

public hence you can download it instantly our digital library saves in merged countries allowing you to get the most less latency era to download any of our books subsequently this one

corporate finance the core plus mylab finance stud - Feb 27 2022

web online revelation corporate finance the core plus mylab finance stud can be one of the options to accompany you considering having new time it will not waste your time endure me the e book will certainly broadcast you new thing to read

corporate finance the core 5th edition pearson - Jun 14 2023

web sep 15 2020 mylab finance with pearson etext for corporate finance the core published 2019 need help get in touch products pearson mylab 109 99 12 month access etextbook 59 99 buy now instant access isbn 13 9780135870488 corporate finance the core published 2020 12 month access etextbook

corporate finance the core pearson - Feb 10 2023

web feb 1 2019 meet students where they are with mylab and capture their attention in every lecture activity and assignment using immersive content customized tools and interactive learning experiences in your discipline

corporate finance the core plus mylab finance stud book - Oct 06 2022

web corporate finance the core plus mylab finance stud corporate finance nov 05 2021 for mba graduate students taking a course in corporate finance using the unifying valuation framework based on the law of one price top researchers jonathan berk and peter demarzo set the new standard for corporate finance textbooks

corporate finance the core plus mylab finance stud pdf - Mar 31 2022

web corporate finance the core plus mylab finance stud 2 13 downloaded from uniport edu ng on august 31 2023 by guest elevate individuals financial decision making using the unifying valuation framework based on the law of one price top researchers jonathan berk and peter demarzo have set the new canon for corporate finance

corporate finance the core plus myfinancelab student - Apr 12 2023

web jan 18 2008 corporate finance blends coverage of time tested principles and the latest advancements with the practical perspective of the financial manager with this ideal melding of the core with modern topics innovation with proven pedagogy berk and demarzo establish the new canon in finance

corporate finance the core plus new myfinancelab with - Dec 08 2022

web apr 4 2013 amazon com corporate finance the core plus new myfinancelab with pearson etext access card package 3rd edition 9780133424133 berk jonathan demarzo access codes for pearson s mylab mastering products may not be included when purchasing or renting from companies other than pearson check with the seller

corporate finance the core plus mylab finance stud - Dec 28 2021

web computer corporate finance the core plus mylab finance stud is genial in our digital library an online entrance to it is set

as public thus you can download it instantly

corporate finance the core plus mylab finance with pearson - Sep 05 2022

web corporate finance the core plus mylab finance with pearson etext access card package by berk jonathan demarzo peter isbn 10 0134409272 isbn 13 9780134409276 pearson 2016

corporate finance the core plus mylab finance stud copy - Aug 04 2022

web corporate finance the core plus mylab finance stud corporate finance nov 20 2021 for mba graduate students taking a course in corporate finance using the unifying valuation framework based on the law of one price top researchers jonathan berk and peter demarzo set the new standard for corporate finance textbooks corporate

corporate finance the core student value edition plus mylab finance - Jul 15 2023

web jul 24 2016 corporate finance the core student value edition plus mylab finance with pearson etext access card package 4th edition by jonathan berk author peter demarzo author 4 1 4 1 out of 5 stars 56 ratings

corporate finance the core plus mylab finance stud pdf - Jun 02 2022

web thank you definitely much for downloading corporate finance the core plus mylab finance stud pdf most likely you have knowledge that people have look numerous period for their favorite books in imitation of this corporate finance the core plus mylab finance stud pdf but end in the works in harmful

corporate finance the core plus myfinancelab with pearson - Nov 07 2022

web corporate finance the core plus myfinancelab with pearson etext global edition on amazon com free shipping on qualifying offers corporate finance the core plus myfinancelab with pearson etext global edition

corporate finance the core plus myfinancelab student - Jan 09 2023

web jun 29 2008 using the unifying framework based on the law of one price top researchers jonathan berk and peter demarzo set the new standard for corporate finance textbooks corporate finance blends coverage of time tested principles and the latest advancements with the practical perspective of the financial manager with this ideal

l alba del nuovo tutto il futuro della realta vir george m - Jul 26 2022

web work she discusses in detail before turning to alain de lille jean de meun and dante a final section on john gower s confessio amantis shows how fourteenth and fifteenth century writers extended and finally moved beyond the conventional form of the dream vision callimachus callimachus 2022 micro politics patricia s mann 1994

lefutur lefuturalbania instagram photos and videos - May 24 2022

web something went wrong there s an issue and the page could not be loaded reload page 25k followers 4 071 following 7 437 posts see instagram photos and videos from lefutur lefuturalbania

recensioni l alba del nuovo tutto il futuro della realtà virtuale - Dec 31 2022

web l alba del nuovo tutto il futuro della realtà virtuale è un libro di jaron lanier pubblicato da il saggiaiore leggi le recensioni degli utenti e acquistalo online su ibs

I alba del nuovo tutto il futuro della realtà virtuale - Mar 02 2023

web sep 30 2019 l alba del nuovo tutto di jaron lanier è un atto d amore totale nei confronti del progresso tecnologico e delle sue potenzialità nel racconto di lanier la realtà virtuale è un sogno lucido condiviso da più individui lo spazio in cui possiamo mettere a frutto la nostra creatività e al tempo stesso la chiave per amare ancora

I alba del nuovo tutto il futuro della realta vir pdf - Mar 22 2022

web l alba del nuovo tutto il futuro della realtà virtuale nuova antologia rivista popolare di politica lettere e scienze sociali il cielo di roger l universita popolare dawn of a new feeling breve storia del corpo l alba del nuovo tutto letteratura e psicoanalisi in russia all alba del xx secolo

I alba del nuovo tutto il futuro della realtà virtuale by jaron - Jun 24 2022

web l alba del nuovo tutto il futuro della realtà virtuale by jaron lanier a vezzoli cammina nel sole pagina 2 di 374 l alba del sesto sole vorrei riinciare e l alba di un nuovo giorno l alba della luce une morro d alba concorso mail art il bo tra il tour dell innovazione arriva ad alba clima il futuro l alba del nuovo tutto il

I alba del nuovo tutto il saggiaiore - Apr 03 2023

web l alba del nuovo tutto di jaron lanier è un atto d amore totale nei confronti del progresso tecnologico e delle sue potenzialità nel racconto di lanier la realtà virtuale è un sogno lucido condiviso da più individui lo spazio in cui possiamo mettere a frutto la nostra creatività e al tempo stesso la chiave per amare ancora di più

download solutions l alba del nuovo tutto il futuro della realta vir - Sep 27 2022

web l alba del nuovo tutto il futuro della realta vir l alba del nuovo giorno aug 11 2023 sdgs in the european region feb 10 2021 this volume describes the thinking on sustainable development and a variety of initiatives across europe illustrating regional efforts to foster sustainable communities and ecological and social innovation it

I alba del nuovo tutto il futuro della realta vir pdf - Aug 27 2022

web vir l alba del nuovo tutto il futuro della realta vir book review unveiling the power of words in a world driven by information and connectivity the energy of words has be evident than ever they have the ability to inspire provoke and ignite change such could be the essence of the book l alba del nuovo tutto il futuro della realta vir a

I alba del nuovo tutto il futuro della realtà virtuale la cultura - May 04 2023

web l alba del nuovo tutto il futuro della realtà virtuale la cultura ebook lanier jaron vezzoli alessandro amazon it kindle store **traduzione di all alba di un nuovo in inglese reverso context** - Apr 22 2022

web there was something about being so close to the ocean at the dawn of a new day filled with new possibilities qui all alba

di un nuovo giorno un doloroso sentiero here at the dawn of a day a painful path che il nostro amore possa portare all alba di un nuovo giorno may our love bring the dawn of a new day

I alba del nuovo tutto il futuro della realtà virtuale - Oct 09 2023

web l alba del nuovo tutto di jaron lanier è un atto d amore totale nei confronti del progresso tecnologico e delle sue potenzialità nel racconto di lanier la realtà virtuale è un sogno lucido condiviso da più individui lo spazio in cui possiamo mettere a frutto la nostra creatività e al tempo stesso la chiave per amare ancora di più

I alba del nuovo tutto il futuro della realta vir download only - Feb 18 2022

web una città laboratorio culturale l alba del nuovo tutto il futuro della realtà virtuale l alba del nuovo tutto computers have become omnipresent in recent decades affecting

I alba del nuovo tutto il futuro della realtà virtuale - Sep 08 2023

web l alba del nuovo tutto il futuro della realtà virtuale è un libro di jaron lanier pubblicato da il saggiaatore nella collana la cultura acquista su ibs a 32 12

l alba del nuovo tutto il futuro della realtà virtuale google books - Jun 05 2023

web sep 26 2019 i mondi virtuali che ci attendono nel futuro non saranno un luogo di fuga in cui ottundere le nostre menti ma un laboratorio in continua evoluzione dove sviluppare le nostre capacità e

pdf l alba del nuovo tutto by jaron lanier perlego - Jul 06 2023

web l alba del nuovo tutto il futuro della realtà virtuale jaron lanier alessandro vezzoli read this book now share book italian epub mobile friendly and pdf available on ios android ebook epub l alba del nuovo tutto il futuro della realtà virtuale jaron lanier alessandro vezzoli book details

l alba del nuovo tutto il futuro della realta vir pdf - Aug 07 2023

web l alba del nuovo tutto il futuro della realtà virtuale rivista di discipline carcerarie e correttive in rapporto con l antropologia la sociologia il diritto e la procedura penale e la polizia

I alba del nuovo tutto il futuro della realta vir pdf - Oct 29 2022

web l alba del nuovo tutto il futuro della realta vir romain rolland rivista di discipline carcerarie e correttive in rapporto con l antropologia la sociologia il diritto e la procedura penale e la polizia

download free I alba del nuovo tutto il futuro della realta vir - Nov 29 2022

web l alba del nuovo tutto il futuro della realta vir il video a 360 nella didattica universitaria mar 19 2020 il volume affronta il tema dell impiego educativo del video a 360 all università per avvicinare i docenti all adozione di pratiche didattiche innovative l uso di questa tecnologia sta conoscendo una fase di rapida

I alba del nuovo tutto il futuro della realtà virtuale - Feb 01 2023

web l alba del nuovo tutto il futuro della realtà virtuale il termine realtà virtuale forse vi farà pensare a vecchi film come il tagliaerba o matrix ai romanzi di william gibson oppure a enormi visori che rischiano di far sembrare molto stupido chi li indossa in verità questa tecnologia ha continuato a evolversi nel corso degli anni ed è attualmente alla base dei