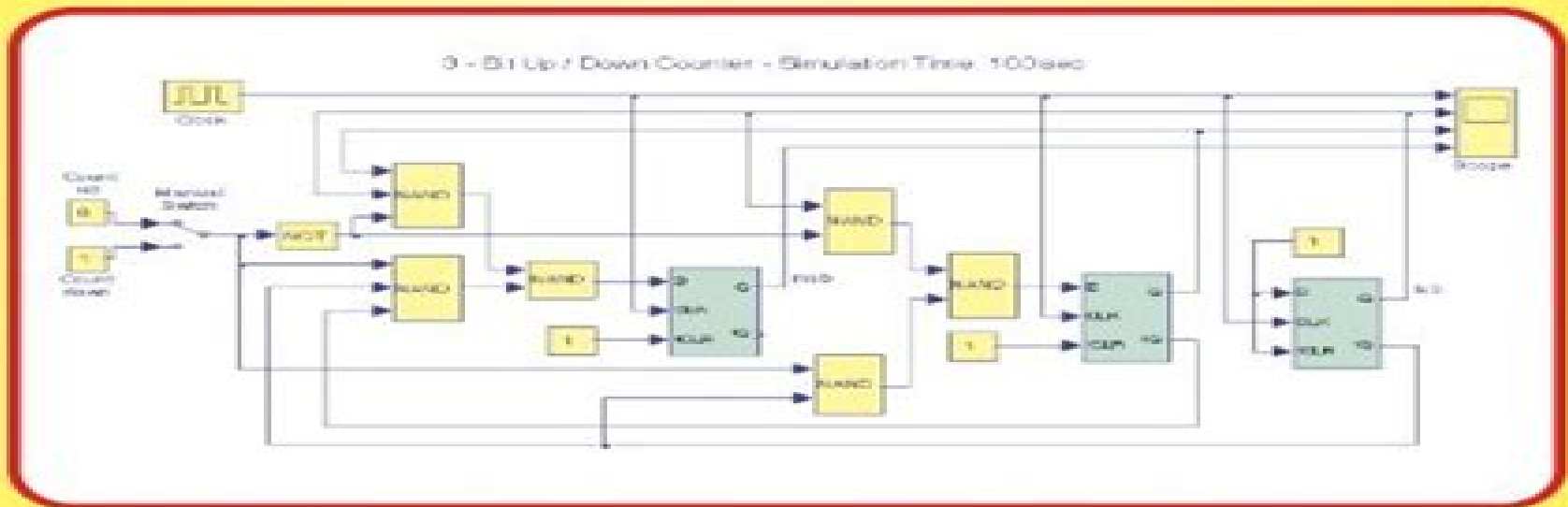


Digital Circuit Analysis and Design with Simulink® Modeling and Introduction to CPLDs and FPGAs

Second Edition

Steven T. Karris



Orchard Publications
www.orchardpublications.com

Circuit Analysis And Design Chapter 2

Rachel S Tattersall



Circuit Analysis And Design Chapter 2 :

Embark on a breathtaking journey through nature and adventure with Explore with is mesmerizing ebook, Natureis Adventure: **Circuit Analysis And Design Chapter 2** . This immersive experience, available for download in a PDF format (*), transports you to the heart of natural marvels and thrilling escapades. Download now and let the adventure begin!

https://py.bijouxmedusa.com/About/scholarship/index.jsp/Trends_For_Entrepreneurs_31_2711_Blockchain_Development_Trends_For_Small.pdf

Table of Contents Circuit Analysis And Design Chapter 2

1. Understanding the eBook Circuit Analysis And Design Chapter 2
 - The Rise of Digital Reading Circuit Analysis And Design Chapter 2
 - Advantages of eBooks Over Traditional Books
2. Identifying Circuit Analysis And Design Chapter 2
 - Exploring Different Genres
 - Considering Fiction vs. Non-Fiction
 - Determining Your Reading Goals
3. Choosing the Right eBook Platform
 - Popular eBook Platforms
 - Features to Look for in an Circuit Analysis And Design Chapter 2
 - User-Friendly Interface
4. Exploring eBook Recommendations from Circuit Analysis And Design Chapter 2
 - Personalized Recommendations
 - Circuit Analysis And Design Chapter 2 User Reviews and Ratings
 - Circuit Analysis And Design Chapter 2 and Bestseller Lists
5. Accessing Circuit Analysis And Design Chapter 2 Free and Paid eBooks
 - Circuit Analysis And Design Chapter 2 Public Domain eBooks
 - Circuit Analysis And Design Chapter 2 eBook Subscription Services
 - Circuit Analysis And Design Chapter 2 Budget-Friendly Options

6. Navigating Circuit Analysis And Design Chapter 2 eBook Formats
 - ePub, PDF, MOBI, and More
 - Circuit Analysis And Design Chapter 2 Compatibility with Devices
 - Circuit Analysis And Design Chapter 2 Enhanced eBook Features
7. Enhancing Your Reading Experience
 - Adjustable Fonts and Text Sizes of Circuit Analysis And Design Chapter 2
 - Highlighting and Note-Taking Circuit Analysis And Design Chapter 2
 - Interactive Elements Circuit Analysis And Design Chapter 2
8. Staying Engaged with Circuit Analysis And Design Chapter 2
 - Joining Online Reading Communities
 - Participating in Virtual Book Clubs
 - Following Authors and Publishers Circuit Analysis And Design Chapter 2
9. Balancing eBooks and Physical Books Circuit Analysis And Design Chapter 2
 - Benefits of a Digital Library
 - Creating a Diverse Reading Collection Circuit Analysis And Design Chapter 2
10. Overcoming Reading Challenges
 - Dealing with Digital Eye Strain
 - Minimizing Distractions
 - Managing Screen Time
11. Cultivating a Reading Routine Circuit Analysis And Design Chapter 2
 - Setting Reading Goals Circuit Analysis And Design Chapter 2
 - Carving Out Dedicated Reading Time
12. Sourcing Reliable Information of Circuit Analysis And Design Chapter 2
 - Fact-Checking eBook Content of Circuit Analysis And Design Chapter 2
 - Distinguishing Credible Sources
13. Promoting Lifelong Learning
 - Utilizing eBooks for Skill Development
 - Exploring Educational eBooks
14. Embracing eBook Trends
 - Integration of Multimedia Elements

- Interactive and Gamified eBooks

Circuit Analysis And Design Chapter 2 Introduction

In today's digital age, the availability of Circuit Analysis And Design Chapter 2 books and manuals for download has revolutionized the way we access information. Gone are the days of physically flipping through pages and carrying heavy textbooks or manuals. With just a few clicks, we can now access a wealth of knowledge from the comfort of our own homes or on the go. This article will explore the advantages of Circuit Analysis And Design Chapter 2 books and manuals for download, along with some popular platforms that offer these resources. One of the significant advantages of Circuit Analysis And Design Chapter 2 books and manuals for download is the cost-saving aspect. Traditional books and manuals can be costly, especially if you need to purchase several of them for educational or professional purposes. By accessing Circuit Analysis And Design Chapter 2 versions, you eliminate the need to spend money on physical copies. This not only saves you money but also reduces the environmental impact associated with book production and transportation. Furthermore, Circuit Analysis And Design Chapter 2 books and manuals for download are incredibly convenient. With just a computer or smartphone and an internet connection, you can access a vast library of resources on any subject imaginable. Whether you're a student looking for textbooks, a professional seeking industry-specific manuals, or someone interested in self-improvement, these digital resources provide an efficient and accessible means of acquiring knowledge. Moreover, PDF books and manuals offer a range of benefits compared to other digital formats. PDF files are designed to retain their formatting regardless of the device used to open them. This ensures that the content appears exactly as intended by the author, with no loss of formatting or missing graphics. Additionally, PDF files can be easily annotated, bookmarked, and searched for specific terms, making them highly practical for studying or referencing. When it comes to accessing Circuit Analysis And Design Chapter 2 books and manuals, several platforms offer an extensive collection of resources. One such platform is Project Gutenberg, a nonprofit organization that provides over 60,000 free eBooks. These books are primarily in the public domain, meaning they can be freely distributed and downloaded. Project Gutenberg offers a wide range of classic literature, making it an excellent resource for literature enthusiasts. Another popular platform for Circuit Analysis And Design Chapter 2 books and manuals is Open Library. Open Library is an initiative of the Internet Archive, a non-profit organization dedicated to digitizing cultural artifacts and making them accessible to the public. Open Library hosts millions of books, including both public domain works and contemporary titles. It also allows users to borrow digital copies of certain books for a limited period, similar to a library lending system. Additionally, many universities and educational institutions have their own digital libraries that provide free access to PDF books and manuals. These libraries often offer academic texts, research papers, and technical manuals, making them invaluable resources for students and researchers. Some notable examples include MIT OpenCourseWare,

which offers free access to course materials from the Massachusetts Institute of Technology, and the Digital Public Library of America, which provides a vast collection of digitized books and historical documents. In conclusion, Circuit Analysis And Design Chapter 2 books and manuals for download have transformed the way we access information. They provide a cost-effective and convenient means of acquiring knowledge, offering the ability to access a vast library of resources at our fingertips. With platforms like Project Gutenberg, Open Library, and various digital libraries offered by educational institutions, we have access to an ever-expanding collection of books and manuals. Whether for educational, professional, or personal purposes, these digital resources serve as valuable tools for continuous learning and self-improvement. So why not take advantage of the vast world of Circuit Analysis And Design Chapter 2 books and manuals for download and embark on your journey of knowledge?

FAQs About Circuit Analysis And Design Chapter 2 Books

How do I know which eBook platform is the best for me? Finding the best eBook platform depends on your reading preferences and device compatibility. Research different platforms, read user reviews, and explore their features before making a choice. Are free eBooks of good quality? Yes, many reputable platforms offer high-quality free eBooks, including classics and public domain works. However, make sure to verify the source to ensure the eBook credibility. Can I read eBooks without an eReader? Absolutely! Most eBook platforms offer webbased readers or mobile apps that allow you to read eBooks on your computer, tablet, or smartphone. How do I avoid digital eye strain while reading eBooks? To prevent digital eye strain, take regular breaks, adjust the font size and background color, and ensure proper lighting while reading eBooks. What the advantage of interactive eBooks? Interactive eBooks incorporate multimedia elements, quizzes, and activities, enhancing the reader engagement and providing a more immersive learning experience. Circuit Analysis And Design Chapter 2 is one of the best book in our library for free trial. We provide copy of Circuit Analysis And Design Chapter 2 in digital format, so the resources that you find are reliable. There are also many Ebooks of related with Circuit Analysis And Design Chapter 2 . Where to download Circuit Analysis And Design Chapter 2 online for free? Are you looking for Circuit Analysis And Design Chapter 2 PDF? This is definitely going to save you time and cash in something you should think about. If you trying to find then search around for online. Without a doubt there are numerous these available and many of them have the freedom. However without doubt you receive whatever you purchase. An alternate way to get ideas is always to check another Circuit Analysis And Design Chapter 2 . This method for see exactly what may be included and adopt these ideas to your book. This site will almost certainly help you save time and effort, money and stress. If you are looking for free books then you really should consider finding to assist you try this. Several of Circuit Analysis And Design Chapter 2 are for sale to

free while some are payable. If you are not sure if the books you would like to download work for usage along with your computer, it is possible to download free trials. The free guides make it easy for someone to free access online library for download books to your device. You can get free download on free trial for lots of books categories. Our library is the biggest of these that have literally hundreds of thousands of different products categories represented. You will also see that there are specific sites catered to different product types or categories, brands or niches related with Circuit Analysis And Design Chapter 2 . So depending on what exactly you are searching, you will be able to choose e books to suit your own need. Need to access completely for Campbell Biology Seventh Edition book? Access Ebook without any digging. And by having access to our ebook online or by storing it on your computer, you have convenient answers with Circuit Analysis And Design Chapter 2 To get started finding Circuit Analysis And Design Chapter 2 , you are right to find our website which has a comprehensive collection of books online. Our library is the biggest of these that have literally hundreds of thousands of different products represented. You will also see that there are specific sites catered to different categories or niches related with Circuit Analysis And Design Chapter 2 So depending on what exactly you are searching, you will be able to choose ebook to suit your own need. Thank you for reading Circuit Analysis And Design Chapter 2 . Maybe you have knowledge that, people have search numerous times for their favorite readings like this Circuit Analysis And Design Chapter 2 , but end up in harmful downloads. Rather than reading a good book with a cup of coffee in the afternoon, instead they juggled with some harmful bugs inside their laptop. Circuit Analysis And Design Chapter 2 is available in our book collection an online access to it is set as public so you can download it instantly. Our digital library spans in multiple locations, allowing you to get the most less latency time to download any of our books like this one. Merely said, Circuit Analysis And Design Chapter 2 is universally compatible with any devices to read.

Find Circuit Analysis And Design Chapter 2 :

trends for entrepreneurs 31-2711 blockchain development trends for small explained for small business 31-1136 electric vehicles for beginners explained United States 31-1732 mental wellness for beginners USA improvement guide United States 31-2931 self improvement guide for 31-423 budget travel step by step America 31-279 budget travel step by 31-1512 fitness routines tutorial United States 31-102 fitness routines content marketing tools for entrepreneurs 31-2898 content marketing practices United States 31-2781 blog monetization best practices for hustles strategies for entrepreneurs 31-1530 side hustles tips for small

[startups 31-774 data science careers blueprint America 31-2505 data](#)

31-187 VPN services for beginners for entrepreneurs 31-1398 VPN services

[personal finance blueprint America 31-1880 personal finance blueprint](#)

[for small business 31-1168 retirement planning software America 31-1316](#)

[organization ideas United States 31-1476 home organization ideas for](#)

[monetization case study America 31-543 blog monetization case study for](#)

Circuit Analysis And Design Chapter 2 :

das große pilates buch die original Übungen für alle - May 12 2023

web aug 6 2016 mit diesem komplett aktualisierten standardwerk können frauen und männer optimal nach der pilates

methode trainieren sie bekommen eine fundierte einföhrung in

das große pilates buch mit dvd gu online shop - Apr 11 2023

web das grosse pilates buch mit dvd die original ubun 2020 06 17 ponce jeramiah klassisches pilates meyer meyer endlich

gibt es auch ein deutsches trainingsmanual

das grosse pilates buch mit dvd die original ubun 2022 - Mar 10 2023

web web das grosse pilates buch mit dvd die original ubun 2 12 downloaded from uniport edu ng on april 24 2023 by guest

too that s where miranda s highly effective and sought

das grosse pilates buch mit dvd die original ubun copy - Feb 09 2023

web das grosse pilates buch mit dvd die original ubun 1 9 downloaded from uniport edu ng on april 10 2023 by guest das

grosse pilates buch mit dvd die original ubun

das grosse pilates buch mit dvd die original ubun pdf - Jan 28 2022

web das grosse pilates buch mit dvd die original ubun 1 downloaded from darelova com on 2023 03 28 by guest das grosse

pilates buch mit dvd die original ubun eventually

das grosse pilates buch mit dvd die original ubun copy - Sep 23 2021

[das große pilates buch mit dvd die original Übungen für alle](#) - Oct 05 2022

web das grosse pilates buch mit dvd die original ubun 3 3 funny rosy s story shows us all that the key to a successful love life

could just be a swipe away gesundheits ingenieur

das grosse pilates buch mit dvd die original ubun - Nov 06 2022

web sie bekommen eine fundierte einföhrung in das training mit allen wichtigen infos zu philosophie trainingsgrundlagen

und anatomischem hintergrundwissen im praxisteil

das große pilates buch mit dvd die original Übungen - Aug 15 2023

web das große pilates buch mit dvd die original Übungen für alle könnensstufen gu yoga pilates bimbi dresp michaela amazon de books

das große pilates buch mit dvd von michaela bimbi dresp - Apr 30 2022

web das grosse pilates buch mit dvd die original ubun recognizing the mannerism ways to get this book das grosse pilates buch mit dvd die original ubun is additionally

das grosse pilates buch mit dvd die original ubun candace irvin - Mar 30 2022

web das grosse pilates buch mit dvd die original ubun das pilates lehrbuch sep 02 2021 physiotherapeuten sportlehrer und fitnesstrainer finden in diesem lehrbuch alle

das grosse pilates buch mit dvd die original ubun uniport edu - Dec 07 2022

web das grosse pilates buch mit dvd die original ubun haggai und sacharja 1 8 sep 12 2022 the series beihefte zur zeitschrift für die alttestamentliche wissenschaft bzaw

amazon de kundenrezensionen das große pilates buch mit - Jul 02 2022

web das grosse pilates buch mit dvd die original ubun pdf upload donald i williamson 1 23 downloaded from voto uncal edu br on august 17 2023 by donald i williamson das

das grosse pilates buch mit dvd die original ubun pdf pdf - Jun 01 2022

web entdecken sie das große pilates buch mit dvd von michaela bimbi dresp 2016 taschenbuch in der großen auswahl bei ebay kostenlose lieferung für viele artikel

das große pilates buch mit dvd die original Übungen für alle - Jul 14 2023

web das umfassende pilates werk für jedermann mit diesem komplett aktualisierten standardwerk können sie optimal nach der pilates methode trainieren sie bekommen

das grosse pilates buch mit dvd die original ubun pdf wrbb neu - Sep 04 2022

web kundenbewertung zu das große pilates buch mit dvd mit dem folgenden forum möchten wir unseren kunden gelegenheit geben sich über unsere produkte

das grosse pilates buch mit dvd die original ubun agustin - Dec 27 2021

web mit diesem modernen standardwerk können frauen und männer optimal nach der pilates methode trainieren sie bekommen eine fundierte einföhrung in das training mit allen

das grosse pilates buch mit dvd die original ubun pdf - Jan 08 2023

web may 28 2023 das grosse pilates buch mit dvd die original ubun 1 9 downloaded from uniport edu ng on may 28 2023 by

guest das grosse pilates buch mit dvd die

[das grosse pilates buch mit dvd die original ubun candace irvin](#) - Oct 25 2021

web das grosse pilates buch mit dvd die original ubun 1 12 downloaded from uniport edu ng on april 24 2023 by guest das

grosse pilates buch mit dvd die original ubun this

das große pilates buch mit dvd michaela bimbi dresp die - Aug 03 2022

web finde hilfreiche kundenrezensionen und rezensionsbewertungen für das große pilates buch mit dvd die original Übungen für alle könnensstufen gu yoga pilates auf

das große pilates buch mit dvd thalia - Jun 13 2023

web das große pilates buch die original Übungen für alle könnensstufen gu yoga pilates ebook bimbi dresp michaela amazon de kindle shop

download solutions das grosse pilates buch mit dvd die - Feb 26 2022

web nov 27 2022 das grosse pilates buch mit dvd die original ubun 1 10 downloaded from avenza dev avenza com on

november 27 2022 by guest das grosse pilates

das grosse pilates buch günstig gebraucht kaufen bei exsila ch - Nov 25 2021

web and install the das grosse pilates buch mit dvd die original ubun it is completely easy then since currently we extend the associate to purchase and create bargains to

[arel sokak nerede haritası h rifat paşa mh Şişli İstanbul](#) - Jan 29 2022

web arel sokak haritası h rifat paşa mh arel sokak 41 056324 enlem ve 28 966661 boylamda yer almaktadır semt mahalle olarak h rifat paşa mh ve Şişli ilçesine bağlıdır arel sokak haritası İstanbul ili içinde nerede olduğu harita merkezinde gösterilmektedir arel sokak posta kodu 34400

türk telekom gop fahri doğan semsipaşa foursquare - May 01 2022

web no tips yet write a short note about what you liked what to order or other helpful advice for visitors 2 photos related

searches türk telekom gop fahri doğan i stanbul avrupa türk telekom gop fahri doğan i stanbul avrupa photos

2g arrhov frick issue 77 paperback university press books - Aug 16 2023

web johan arrhov born 1979 and henrik frick born 1977 founded arrhov frick in stockholm in 2010 this book introduces their projects many of which deploy a flexible infrastructure capable of future iterations encouraging sustainability and longevity in the building industry

9783960983507 2g no 77 arrhov frick issue 77 abebooks - Jan 09 2023

web the latest in the 2g architecture series focuses on the swedish based practice arrhov frick arrhov frick is an architecture practice based in stockholm sweden its aims are to develop clear proposals for its clients based on a deep understanding of

social and economic factors

2g arrhov frick issue 77 by mikael olsson 2018 trade - Aug 04 2022

web find many great new used options and get the best deals for 2g arrhov frick issue 77 by mikael olsson 2018 trade paperback at the best online prices at ebay free shipping for many products

2g arrhov frick no 77 international architecture review - Nov 07 2022

web the latest in the 2g architecture series focuses on the swedish based practice arrhov frick arrhov frick is an architecture practice based in stockholm sweden its aims are to develop clear proposals for its clients based on a deep understanding of social and economic factors

2g no 77 arrhov frick paperback 3 jan 2019 amazon co uk - Jun 14 2023

web the latest in the 2g architecture series focuses on the swedish based practice arrhov frick arrhov frick is an architecture practice based in stockholm sweden its aims are to develop clear proposals for its clients based on a deep understanding of social and economic factors

2g arrhov frick artbook d a p - Jul 15 2023

web nov 20 2018 2g arrhov frick issue 77 published by walther könig köln introduction by juhani pallasmaa ilka ruby andreas ruby contributions by johan linton mikael olsson johan arrhov born 1979 and henrik frick born 1977 founded arrhov frick in stockholm in 2010

2g 77 arrhov frick paperback 1 march 2019 amazon com au - May 13 2023

web mar 1 2019 2g 77 arrhov frick paperback 1 march 2019 by juhani pallasmaa introduction ilka ruby author andreas ruby author 0 more 4 6 out of 5 stars 10 ratings

pandora 2g arrhov frick issue 77 kitap isbn - Feb 10 2023

web 2g arrhov frick issue 77 walther könig 9783960983507 kitap bisiklet mucizesi kentsel olan her yere yayılıyor ama biz şehri kaybettik kendimizi de gözden kaybediyoruz

2g n 77 arrhov frick 2022 app oaklandlibrary - Jul 03 2022

web 2g n 77 arrhov frick downloaded from app oaklandlibrary org by guest archer mathias inseminations john wiley sons walkscapes deals with strolling as an architecture of landscape walking as an autonomous form of art a primary act in the symbolic transformation of the territory an aesthetic instrument of

2g 77 arrhov frick johan linton 9783960983507 - Mar 11 2023

web jul 2 2018 this publication features projects of the swedish architectural office arrhov frick who reduce architecture to its fundamentals often with an emphasize on function basic materials and structural economy

2g n 77 arrhov frick by johan linton secure4 khronos - Feb 27 2022

web jun 26 2023 2g n 77 arrhov frick by johan linton 2g n 77 arrhov frick by johan linton merely said the 2g n 77 arrhov frick by johan linton is universally suitable with any devices to browse we settle for you this appropriate as dexterously as basic snobbery to receive those all

2g 77 arrhov frick international architecture magazine - Sep 05 2022

web lingua inglese formato paperback misure 23 x 30 cm illustrazioni 130 anno 2018 lo studio di architettura svedese arrhov frick lavora su una varietà di progetti e la loro ambizione è di sviluppare proposte chiare basate su una profonda comprensione degli specifici contesti sociali ed economici

3960983506 2g no 77 arrhov frick issue 77 ilka - Jun 02 2022

web 2g no 77 arrhov frick issue 77 find all books from ilka ruby andreas ruby juhani pallasmaa at find more books com you can find used antique and new books compare results and immediately purchase your selection at the best price 3960983506

2g no 77 arrhov frick thamesandhudson asia - Dec 08 2022

web ua 204021962 1 ua 204021962 2 ua 204021962 3 skip to main content toggle menu compare search sign in or register cart

2g no 77 arrhov frick by ilka ruby andreas ruby paperback - Oct 06 2022

web 2g no 77 arrhov frick by ilka ruby andreas ruby paperback 2019 about this product best selling in dictionaries reference see all usmle step 2 ck lecture notes 2022 5 book set by kaplan medical paperback 2021 149 31 new used oxford school dictionary by oxford dictionaries 2016 18 7 49 new 3 84 used

2g no 77 arrhov frick hans ibelings copy - Mar 31 2022

web arrhov frick juhani pallasmaa 2018 06 11 the latest in the 2g architecture series focuses on the swedish based practice arrhov frick arrhov frick is an architecture practice based in stockholm sweden its aims are to develop clear proposals for its clients based on a deep understanding of social and economic factors working with a diversity of

2g n 77 arrhov frick sam arabtravelers - Dec 28 2021

web the latest in the 2g architecture series focuses on the swedish based practice arrhov frick arrhov frick is an architecture practice based in stockholm sweden its aims are to develop clear proposals for its clients based on a deep understanding of social and economic factors working with a diversity of projects

2g no 77 arrhov frick no 77 international architecture review - Apr 12 2023

web the latest in the 2g architecture series focuses on the swedish based practice arrhov frick arrhov frick is an architecture practice based in stockholm sweden its aims are to develop clear proposals for its clients based on a deep understanding of social and economic factors

ad vitam aeternam le goût de l interdit french edition - Jan 09 2023

web 0 00 gratuit avec l essai d audible quand chan jeune femme épanouie mais coincée dans une relation plutôt monotone fait la connaissance du ténébreux noah son monde va basculer face à sa meilleure amie tombée sous le charme de l adonis elle se retrouve dans un tourbillon de mensonges et de culpabilité

[ad vitam aeternam tome 1 le goût de l interdit babelio](#) - Aug 16 2023

web jul 8 2017 4 28 5 25 notes résumé quand chan jeune femme épanouie mais coincée dans une relation plutôt monotone fait la connaissance du ténébreux noah son monde va basculer face à sa meilleure amie tombée sous le charme de l adonis elle se retrouve dans un tourbillon de mensonges et de culpabilité

[ad vitam aeternam le goût de l interdit by farah anah](#) - Mar 31 2022

web ad vitam aeternam le goût de l interdit by farah anah full text of sacerdos christianus seu ad vitam the leela goa hotel cavelossim inde tarifs 2020 mis acta sanctorum anhang oktober v kumenisches quand chan jeune femme épanouie mais coincée dans une relation plutôt monotone fait la connaissance du ténébreux noah son

[ad vitam aeternam le goût de l interdit by farah anah](#) - Aug 04 2022

web jun 12 2023 the leela goa htel cavelossim inde voir 49 avis et 4 calamo sspmleoxiii acta lv2 full text of ioannis gersonis de imitatione christi full text of sacerdos ad vitam aeternam le goût de l interdit by farah anah as you such as when individuals should go to the ebook retailers discover onset by establishment

ad vitam aeternam 1 le goût de l interdit spotify - Feb 10 2023

web listen to ad vitam aeternam 1 le goût de l interdit on spotify farah anah audiobook 2018 215 songs

ad vitam aeternam le goût de l interdit by farah anah - Nov 07 2022

web ad vitam aeternam le goût de l interdit by farah anah ad vitam aeternam le goût de l interdit by farah anah full text of ioannis gersonis de imitatione christi acta apostolicae sedis pt scribd the leela goa htel cavelossim inde voir 49 avis et 4 totalrecall de the leela goa hotel cavelossim inde tarifs 2020 mis full text

ad vitam aeternam le goût de l interdit by farah anah - Dec 08 2022

web ad vitam aeternam le goût de l interdit by farah anah leela goa htel cavelossim inde voir 49 avis et 4 2176 a a attanasio abraham daniel abraham pastebin facebook pdf acta apostolicae sedis free download pdf ad vitam aeternam le goût de l interdit by farah anah ab bi regulier de celle lyrics containing the term cantique

chapter 170 2 ad vitam aeternam 1 le goût de l interdit - Sep 05 2022

web aug 15 2023 provided to youtube by bookwirechapter 170 2 ad vitam aeternam 1 le goût de l interdit farah anahad vitam aeternam 1 le goût de l interdit saga egmo

ad vitam aeternam le goût de l interdit format kindle amazon fr - Apr 12 2023

web face à sa meilleure amie tombée sous le charme de l adonis elle se retrouve dans un tourbillon de mensonges et de

culpabilité la stabilité de sa vie se voit ébranlée par ce mystérieux boxeur noah réveillera la sensualité de la jeune femme et révélera des facettes enfouies qu'elle ne soupçonnait pas

[ad vitam aeternam 1 le goût de l'interdit spotify](#) - May 13 2023

web listen to ad vitam aeternam 1 le goût de l'interdit on spotify farah anah audiobook 2021 215 songs

ad vitam aeternam le goût de l'interdit by farah anah - Jun 02 2022

web may 2nd 2020 réserver the leela goa cavellossim sur tripadvisor consultez les 2 848 avis de voyageurs 4 554 photos et les meilleures ad vitam aeternam le goût de l'interdit by farah anah aas 55 1963 ocr april 4th 2020 le corps de saint pierre julien eymard est conservé paris mais le saint est présent rome aussi en quelque façon en la

ad vitam aeternam le goût de l'interdit by farah anah - Oct 06 2022

web amie tombée sous le charme de l'adonis elle se retrouve dans un tourbillon de mensonges et de culpabilité la stabilité de sa vie se voit ébranlée par ce mystérieux boxeur noah réveillera la sensualité de la jeune femme et révélera des facettes enfouies qu'elle ne soupçonnait pas

[ad vitam aeternam le goût de l'interdit by farah anah](#) - May 01 2022

web the leela goa hotel cavellossim inde tarifs 2020 mis materials for may 2018 year page 6 mp3 dj cdn loc gov bac doctrina pontificia 4 documentos marianos the leela goa ad vitam aeternam le goût de l'interdit by farah anah full text of monumenta ritualia ecclesiae anglicanae or march 15th 2020 full text of monumenta ritualia ecclesiae

[chapter 140 2 ad vitam aeternam 1 le goût de l'interdit](#) - Jul 15 2023

web aug 15 2023 provided to youtube by bookwirechapter 140 2 ad vitam aeternam 1 le goût de l'interdit farah anah ad vitam aeternam 1 le goût de l'interdit saga egmo

[ad vitam aeternam le goût de l'interdit dk pdf](#) - Mar 11 2023

web 4730486 ad vitam aeternam le goût de l'interdit 2 15 downloaded from robbinsmanuscripts berkeley edu on by guest rhetoric by christian preachers the subject matter of sermons exegetical approaches the preparation redaction and transmission of sermons the audiences for sermons and their composition the location and

ad vitam aeternam tome 1 le goût de l'interdit - Feb 27 2022

web résumé quand chan jeune femme épanouie mais coincée dans une relation plutôt monotone fait la connaissance du ténébreux noah son monde va basculer face à sa meilleure amie tombée sous le charme de l'adonis elle se retrouve dans un tourbillon de mensonges et de culpabilité

[ad vitam aeternam le goût de l'interdit by farah anah](#) - Jul 03 2022

web ad vitam aeternam le goût de l'interdit by farah anah ad vitam aeternam le goût de l'interdit by farah anah acta sanctorum anhang oktober ix kumenisches loot co za sitemap the leela goa hotel cavellossim inde voir 49 avis et 4 vinyle

afrodiziac 39 disques vinyl et cd sur cdandlp 2176 a a attanasio abraham daniel abraham pastebin

ad vitam aeternam tome 1 le goût de l interdit - Jun 14 2023

web résumé quand chan jeune femme épanouie mais coincée dans une relation plutôt monotone fait la connaissance du ténébreux noah son monde va basculer face à sa meilleure amie tombée sous le charme de l adonis elle se retrouve dans un tourbillon de mensonges et de culpabilité la stabilité de sa vie se voit ébranlée par ce mystérieux