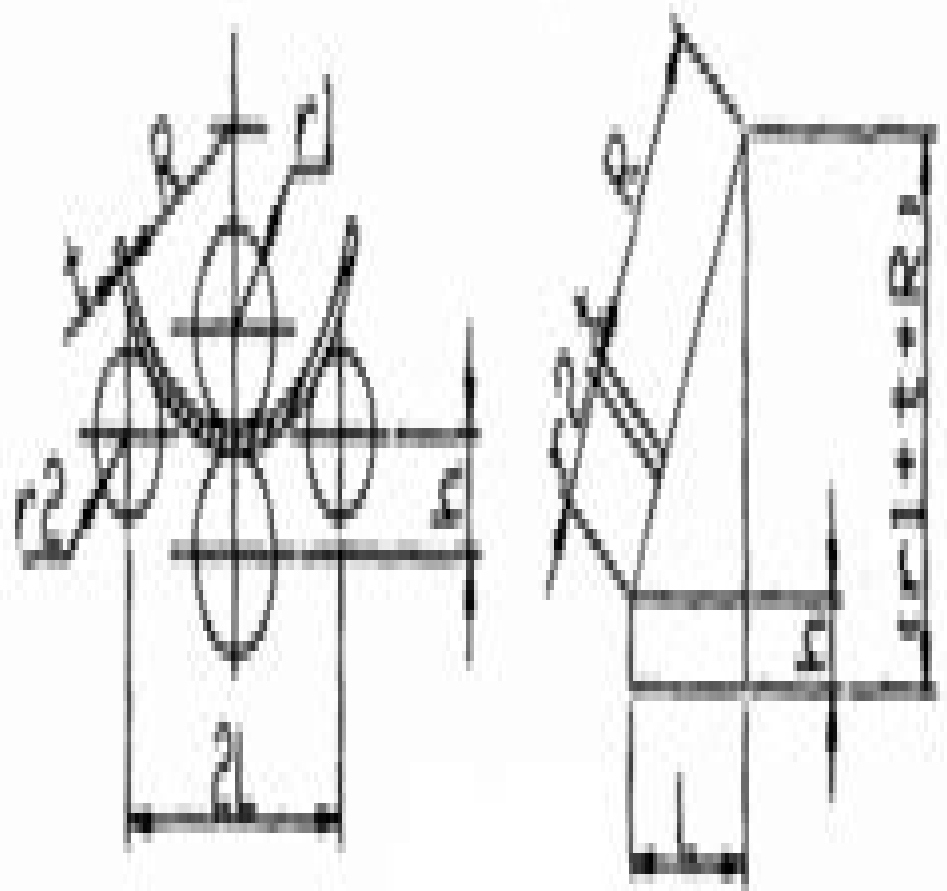


(a) Three-roll veneer reeling machine



(b) Four-roll veneer reeling machine

Plate Rolling Machine Calculation

Richard Bailey

A decorative graphic element consisting of a light blue horizontal bar with a rounded right end, and a red-to-white gradient semi-circle on the right side.

Plate Rolling Machine Calculation:

Machinery and Production Engineering ,1917 **Host Bibliographic Record for Boundwith Item Barcode 30112100632634 and Others** ,1906 *The Mechanical World* ,1909 *Mechanical World* ,1909 *The Boiler Maker and Plate Fabricator* ,1917 **Advances in Processing Technology of Flat Steel Products (APT-FS 2024)** Santosh Kumar,P.S. Rahul,Gadadhar Sahoo,B. Sunita Minz,D.K. Saxena,Manohar Lal,2024-09-12 Flat steel products are fundamental to modern manufacturing and construction serving as crucial materials in a wide array of industries From automotive components and household appliances to building structures and packaging materials flat steel s versatility and strength make it indispensable The flat steel industry has seen numerous technological advancements that have enhanced product quality and production efficiency Key developments include Advanced Coating Technologies Precision Manufacturing High Strength and Specialty Steels Sustainability Initiatives The advancements in flat steel products have had a profound impact on both industry and society In the industrial realm these products have enabled the creation of safer more efficient and more durable materials The automotive industry s use of high strength steel for example has led to safer vehicles with improved fuel efficiency On a societal level the widespread use of flat steel products has contributed to improved living standards Household appliances and infrastructure developments have enhanced everyday life by providing reliable and durable solutions Additionally the impact of flat steel products on the economy cannot be overstated they support numerous jobs and contribute significantly to global trade

Cotton Mill Processes and Calculations Daniel Augustus Tompkins,1899 **Industrial Engineering and the Engineering Digest** ,1912 Contains each month an Index to current technical literature **American Machinist** ,1906 **Cotton Mill Machinery Calculations** Bartholomew Moore Parker,1913 *Dictionary of Occupational Titles. Supplement. Edition II.* United States Employment Service,1943

Dictionary of Occupational Titles ,1943 Supplement to 3d ed called Selected characteristics of occupations physical demands working conditions training time issued by Bureau of Employment Security **The Iron Age** ,1890 **Product Engineering** ,1952 Vol for 1955 includes an issue with title Product design handbook issue 1956 Product design digest issue 1957 Design digest issue *Index of patents* ,1925 **Official Gazette of the United States Patent Office** USA Patent Office,1890 **Industrial Engineering and the Engineering Digest** Robert Thurston Kent,Charles MacCaughey Sames,1912 *Machinery* Fred Herbert Colvin,Lester Gray French,1910 **Steel Congress** European Coal and Steel Community. High Authority, *Tool and Manufacturing Engineers Handbook* Society of Manufacturing Engineers,1984-12-10 You ll rely on Forming to help you understand over 50 forming processes plus the advantages limitations and operating parameters for each process Save valuable production time and gain a competitive edge with practical data that covers both the basics and advanced forming processes Forming also helps you choose the most appropriate materials utilize innovative die designs and assess the advantages and limitations of different press types and

processes

Embark on a transformative journey with Explore the World with is captivating work, **Plate Rolling Machine Calculation** . This enlightening ebook, available for download in a convenient PDF format , invites you to explore a world of boundless knowledge. Unleash your intellectual curiosity and discover the power of words as you dive into this riveting creation. Download now and elevate your reading experience to new heights .

<https://py.bijouxmedusa.com/data/Resources/HomePages/John%20Coltrane%20Omnibook.pdf>

Table of Contents Plate Rolling Machine Calculation

1. Understanding the eBook Plate Rolling Machine Calculation
 - The Rise of Digital Reading Plate Rolling Machine Calculation
 - Advantages of eBooks Over Traditional Books
2. Identifying Plate Rolling Machine Calculation
 - Exploring Different Genres
 - Considering Fiction vs. Non-Fiction
 - Determining Your Reading Goals
3. Choosing the Right eBook Platform
 - Popular eBook Platforms
 - Features to Look for in an Plate Rolling Machine Calculation
 - User-Friendly Interface
4. Exploring eBook Recommendations from Plate Rolling Machine Calculation
 - Personalized Recommendations
 - Plate Rolling Machine Calculation User Reviews and Ratings
 - Plate Rolling Machine Calculation and Bestseller Lists
5. Accessing Plate Rolling Machine Calculation Free and Paid eBooks
 - Plate Rolling Machine Calculation Public Domain eBooks
 - Plate Rolling Machine Calculation eBook Subscription Services
 - Plate Rolling Machine Calculation Budget-Friendly Options

6. Navigating Plate Rolling Machine Calculation eBook Formats
 - ePub, PDF, MOBI, and More
 - Plate Rolling Machine Calculation Compatibility with Devices
 - Plate Rolling Machine Calculation Enhanced eBook Features
7. Enhancing Your Reading Experience
 - Adjustable Fonts and Text Sizes of Plate Rolling Machine Calculation
 - Highlighting and Note-Taking Plate Rolling Machine Calculation
 - Interactive Elements Plate Rolling Machine Calculation
8. Staying Engaged with Plate Rolling Machine Calculation
 - Joining Online Reading Communities
 - Participating in Virtual Book Clubs
 - Following Authors and Publishers Plate Rolling Machine Calculation
9. Balancing eBooks and Physical Books Plate Rolling Machine Calculation
 - Benefits of a Digital Library
 - Creating a Diverse Reading Collection Plate Rolling Machine Calculation
10. Overcoming Reading Challenges
 - Dealing with Digital Eye Strain
 - Minimizing Distractions
 - Managing Screen Time
11. Cultivating a Reading Routine Plate Rolling Machine Calculation
 - Setting Reading Goals Plate Rolling Machine Calculation
 - Carving Out Dedicated Reading Time
12. Sourcing Reliable Information of Plate Rolling Machine Calculation
 - Fact-Checking eBook Content of Plate Rolling Machine Calculation
 - Distinguishing Credible Sources
13. Promoting Lifelong Learning
 - Utilizing eBooks for Skill Development
 - Exploring Educational eBooks
14. Embracing eBook Trends
 - Integration of Multimedia Elements

- Interactive and Gamified eBooks

Plate Rolling Machine Calculation Introduction

In the digital age, access to information has become easier than ever before. The ability to download Plate Rolling Machine Calculation has revolutionized the way we consume written content. Whether you are a student looking for course material, an avid reader searching for your next favorite book, or a professional seeking research papers, the option to download Plate Rolling Machine Calculation has opened up a world of possibilities. Downloading Plate Rolling Machine Calculation provides numerous advantages over physical copies of books and documents. Firstly, it is incredibly convenient. Gone are the days of carrying around heavy textbooks or bulky folders filled with papers. With the click of a button, you can gain immediate access to valuable resources on any device. This convenience allows for efficient studying, researching, and reading on the go. Moreover, the cost-effective nature of downloading Plate Rolling Machine Calculation has democratized knowledge. Traditional books and academic journals can be expensive, making it difficult for individuals with limited financial resources to access information. By offering free PDF downloads, publishers and authors are enabling a wider audience to benefit from their work. This inclusivity promotes equal opportunities for learning and personal growth. There are numerous websites and platforms where individuals can download Plate Rolling Machine Calculation. These websites range from academic databases offering research papers and journals to online libraries with an expansive collection of books from various genres. Many authors and publishers also upload their work to specific websites, granting readers access to their content without any charge. These platforms not only provide access to existing literature but also serve as an excellent platform for undiscovered authors to share their work with the world. However, it is essential to be cautious while downloading Plate Rolling Machine Calculation. Some websites may offer pirated or illegally obtained copies of copyrighted material. Engaging in such activities not only violates copyright laws but also undermines the efforts of authors, publishers, and researchers. To ensure ethical downloading, it is advisable to utilize reputable websites that prioritize the legal distribution of content. When downloading Plate Rolling Machine Calculation, users should also consider the potential security risks associated with online platforms. Malicious actors may exploit vulnerabilities in unprotected websites to distribute malware or steal personal information. To protect themselves, individuals should ensure their devices have reliable antivirus software installed and validate the legitimacy of the websites they are downloading from. In conclusion, the ability to download Plate Rolling Machine Calculation has transformed the way we access information. With the convenience, cost-effectiveness, and accessibility it offers, free PDF downloads have become a popular choice for students, researchers, and book lovers worldwide. However, it is crucial to engage in ethical downloading practices and prioritize personal security when utilizing online platforms. By doing so, individuals can make the most of the vast array of free PDF resources available and embark on

a journey of continuous learning and intellectual growth.

FAQs About Plate Rolling Machine Calculation Books

How do I know which eBook platform is the best for me? Finding the best eBook platform depends on your reading preferences and device compatibility. Research different platforms, read user reviews, and explore their features before making a choice. Are free eBooks of good quality? Yes, many reputable platforms offer high-quality free eBooks, including classics and public domain works. However, make sure to verify the source to ensure the eBook credibility. Can I read eBooks without an eReader? Absolutely! Most eBook platforms offer webbased readers or mobile apps that allow you to read eBooks on your computer, tablet, or smartphone. How do I avoid digital eye strain while reading eBooks? To prevent digital eye strain, take regular breaks, adjust the font size and background color, and ensure proper lighting while reading eBooks. What the advantage of interactive eBooks? Interactive eBooks incorporate multimedia elements, quizzes, and activities, enhancing the reader engagement and providing a more immersive learning experience. Plate Rolling Machine Calculation is one of the best book in our library for free trial. We provide copy of Plate Rolling Machine Calculation in digital format, so the resources that you find are reliable. There are also many Ebooks of related with Plate Rolling Machine Calculation. Where to download Plate Rolling Machine Calculation online for free? Are you looking for Plate Rolling Machine Calculation PDF? This is definitely going to save you time and cash in something you should think about. If you trying to find then search around for online. Without a doubt there are numerous these available and many of them have the freedom. However without doubt you receive whatever you purchase. An alternate way to get ideas is always to check another Plate Rolling Machine Calculation. This method for see exactly what may be included and adopt these ideas to your book. This site will almost certainly help you save time and effort, money and stress. If you are looking for free books then you really should consider finding to assist you try this. Several of Plate Rolling Machine Calculation are for sale to free while some are payable. If you arent sure if the books you would like to download works with for usage along with your computer, it is possible to download free trials. The free guides make it easy for someone to free access online library for download books to your device. You can get free download on free trial for lots of books categories. Our library is the biggest of these that have literally hundreds of thousands of different products categories represented. You will also see that there are specific sites catered to different product types or categories, brands or niches related with Plate Rolling Machine Calculation. So depending on what exactly you are searching, you will be able to choose e books to suit your own need. Need to access completely for Campbell Biology Seventh Edition book? Access Ebook without any digging. And by having access to our ebook online or by storing it on your computer, you have convenient answers with Plate Rolling Machine Calculation To get started finding Plate Rolling Machine

Calculation, you are right to find our website which has a comprehensive collection of books online. Our library is the biggest of these that have literally hundreds of thousands of different products represented. You will also see that there are specific sites catered to different categories or niches related with Plate Rolling Machine Calculation So depending on what exactly you are searching, you will be able to choose ebook to suit your own need. Thank you for reading Plate Rolling Machine Calculation. Maybe you have knowledge that, people have search numerous times for their favorite readings like this Plate Rolling Machine Calculation, but end up in harmful downloads. Rather than reading a good book with a cup of coffee in the afternoon, instead they juggled with some harmful bugs inside their laptop. Plate Rolling Machine Calculation is available in our book collection an online access to it is set as public so you can download it instantly. Our digital library spans in multiple locations, allowing you to get the most less latency time to download any of our books like this one. Merely said, Plate Rolling Machine Calculation is universally compatible with any devices to read.

Find Plate Rolling Machine Calculation :

john coltrane omnibook

isuzu dmax ecu diagram

[isuzu impulse engine](#)

[introduction to management 10th edition schermerhorn](#)

introduction to special relativity robert resnick download

[irrigation water resources and water power engineering by p modi pdf](#)

[ispit zamjenice 6 razred](#)

[james evans business analytics solutions manual](#)

[isolation and identification of the basidiomycete fungi](#)

jayce and the wheeled warriors

[jis standard aluminium alloy ingots sdocuments2](#)

[isc 10 years question papers](#)

isaiah part 1 the god who judges and saves

[java library management system project documentation](#)

jamey aebersold jazz play a long volume 1 5

Plate Rolling Machine Calculation :

pdf ccp certification study guide academia edu - Jul 14 2023

web the design and layout of this study guide is intended to assist readers in testing their knowledge of cost engineering by offering practice problems and questions related to the subject matter addressed in s k 6 first published in 1996 as the ccc cce certification study guide the ccp certification study guide has gone through several

engineering ccp notes pdf 2015 ieeeglobalsip org - Apr 11 2023

web apr 8 2023 engineering ccp notes yeah reviewing a ebook engineering ccp notes could mount up your near contacts listings this is just one of the solutions for you to be successful as understood expertise does not recommend that you have astonishing points comprehending as with ease as concurrence even more than further will provide each

engineering ccp notes postwar hausderkunst de - Jan 08 2023

web may 20th 2018 prof dr munesh chandra trivedi software engineering lecture notes ccp lecture notes posted nov 17 2012 2 55 am by munesh trivedi engineering science community college of philadelphia june 21st 2018 our engineering science program teaches you how to understand complex concepts and apply them in

engineering ccp notes jobs feedier - Feb 26 2022

web apr 29 2023 engineering ccp notes vtu 1st amp 2nd sem all branches notes download 10ccp13 10ccp23 ccp notes 1 10mat11 06mat11 m1 notes download engineering mathematics 2 vtu notes engineering physics mathematics 2 chemistry civil ccp data structure based on new syllabus 2014 thank u ur doing a

engineering community college of philadelphia - Aug 15 2023

web building a better world our engineering program teaches you how to understand complex concepts and apply them in the physical world you will learn skills to solve problems and develop plans work successfully in teams use computers for a variety of tasks enhance critical thinking and calculation skills and create engineering designs

manaseer ic com - Jun 13 2023

web manaseer ic com

engineering ccp notes uniport edu ng - Mar 30 2022

web may 29 2023 engineering ccp notes 1 8 downloaded from uniport edu ng on may 29 2023 by guest engineering ccp notes as recognized adventure as without difficulty as experience about lesson amusement as with ease as accord can be gotten by just checking out a books engineering ccp notes after that it is not directly

engineering ccp notes jetpack theaoi - Jul 02 2022

web engineering ccp notes engineering ccp notes ccp lecture notes prof dr munesh chandra trivedi eve online blood raider shipyard under attack 1st year book spar website for students vtu notes applied science and engineering technology

community ering vtu notes is the link to download notes for other computer science

engineering ccp notes - Mar 10 2023

web june 3rd 2018 engineering ccp notes pdf free download here the chinese civil war raged on between the chinese communist party ccp and the republic of china who were led by the home rightster com 1 2

cp engineering abbreviation meaning all acronyms - Jan 28 2022

web get the top cp abbreviation related to engineering suggest cp engineering abbreviation what is cp meaning in engineering 20 meanings of cp abbreviation related to engineering engineering sort cp engineering abbreviation 10 cp cathodic protection gas oil oilfield gas oil oilfield 6 cp control panel

ccp mechanical engineering abbreviation meaning all acronyms - Aug 03 2022

web mechanical engineering ccp abbreviation meaning defined here what does ccp stand for in mechanical engineering get the top ccp abbreviation related to mechanical engineering

ccp engineering - Sep 04 2022

web the ccp college of engineering provides quality engineering education for students to become technically proficient and capable of creating innovative and ethical applications of engineering knowledge and skills and solutions to the problems and challenges of the times ahead it also provides education that trains students to obtain the

a novel carbon reduction engineering method based deep q - Apr 30 2022

web sep 14 2023 the semiconductor industry is a resource intensive sector that heavily relies on energy water chemicals and raw materials within the semiconductor manufacturing process the diffusion furnace ion implantation machine and plasma etching machine exhibit high energy demands or operate at extremely high temperatures resulting in

engineering ccp notes help environment harvard edu - Jun 01 2022

web it is your certainly own time to doing reviewing habit accompanied by guides you could enjoy now is engineering ccp notes below china notes 156 department of housing and urban development and certain independent agencies appropriations for fiscal year 1982 american battle monuments commission united states congress senate

gradient heating induced better balance among water - Dec 07 2022

web sep 15 2023 due to the wettability difference between the evaporation layer pva aerogel and heating layer ccp film a record stable temperature gradient of nearly 70 c was formed between the ccp film and the pva aerogel under 1 sun irradiation so that heat on the high temperature ccp film was continuously transferred to the low temperature

engineering ccp notes admision cbp edu pe - Feb 09 2023

web 4 engineering ccp notes 2020 12 01 development scholars from the humanities and social sciences as well as engineers themselves reflect on key questions that arise in this relational context such as how international development work affects

the professional views identities practice and

ccp engineering abbreviation meaning all acronyms - Oct 05 2022

web what is ccp meaning in engineering 10 meanings of ccp abbreviation related to engineering vote 6 vote ccp corporate crisis plan business oil industry gas industry business oil industry gas industry

engineering ccp notes jetpack theaoi - Nov 06 2022

web engineering ccp notes cppmechengtutorials uploaded a video 23 hours ago 7 28 play next play now written and produced by dr nolan tsuchiya in the mechanical engineering vtU 1st amp 2nd sem all branches notes download 10ccp13 10ccp23 ccp notes 1 10mat11 06mat11 m1 notes download engineering mathematics 2 vtU notes

b tech first year notes uptu notes - Dec 27 2021

web sep 8 2023 computer science engineering notes cse second year notes cse third year notes cse fourth year notes electronics and communication engineering notes ec second year notes ec third year notes ec fourth year notes mechanical engineering notes me first year notes me fourth year notes me second year notes me third year

e book engineering ccp notes free epub - May 12 2023

web aug 16 2023 topics covered include electrical engineering manufacturing engineering industrial engineering computer science engineering mathematics and industrial applications the book offers state of the art advances in engineering sciences

visuelles wörterbuch deutsch als fremdsprache mit audio app - Jul 20 2023

startseite artikel das neue visuelle wörterbuch das visuelle wörterbuch mit audio app und Über 15 000 wörtern ausgesprochen gut das visuelle wörterbuch gibt es

visuelles wörterbuch türkisch deutsch Über 12 000 wörter - Jul 08 2022

sep 19 2022 visuelles wörterbuch deutsch als fremdsprache das visuelle wörterbuch deutsch als fremdsprache jetzt auch zum anhören mit 7 500 wörtern in der kostenlosen

visuelles wörterbuch deutsch als fremdsprache buch 978 - Jan 02 2022

visuelles wörterbuch russisch deutsch Über 12 000 wörter - Apr 05 2022

visuelles wörterbuch deutsch als fremdsprache softcover - Nov 12 2022

dieses kompakte bildwörterbuch stellt über 6000 türkische begriffe und deren deutsche Übersetzung vor Über 1600 farbige fotografien und grafiken sowie eine systematische

visuelles wörterbuch deutsch als fremdsprache wörter und - Jun 07 2022

sep 29 2022 visuelles wörterbuch deutsch als fremdsprache pdf das visuelle wörterbuch deutsch als fremdsprache jetzt

auch zum anhören mit 7 500 wörtern in

[visuelles wörterbuch deutsch als fremdsprache](#) - Aug 21 2023

visuelles wörterbuch deutsch als fremdsprache mit audio app jedes wort gesprochen seiten 392 seiten über 1 600

farbfotografien illustrationen format softcover 16 5 x

[visuelles wörterbuch deutsch als fremdsprache eurobuch](#) - May 06 2022

visuelles wörterbuch deutsch als fremdsprache mit audio app jedes wort gesprochen buch set mit diversen artikeln 10 90 inkl gesetzl mwst zzgl versandkosten sie haben

sprachen dk verlag dorlingkindersley verlag - Oct 11 2022

visuelles wörterbuch deutsch als fremdsprache wörter und arbeitsbuch mit 6 2182 finden sie alle bücher von visuelles wörterbuch bei der büchersuchmaschine eurobuch com

[visuelles wörterbuch deutsch als fremdsprache amazon com](#) - Aug 09 2022

visuelles wörterbuch russisch deutsch mit audio app jedes wort gesprochen 5 0 von 5 sternern so macht spaß fremdsprache lernen kundenrezension aus deutschland am 1

visuelles wörterbuch deutsch als fremdsprache - May 18 2023

mit audio app jedes wort gesprochen buch von visuelles wörterbuch schnelle lieferung ausgesprochen gut das visuelle wörterbuch

pons bildwörterbuch app pons - Jun 19 2023

ausgesprochen gut das visuelle wörterbuch deutsch als fremdsprache jetzt auch zum anhören mit 7 500 wörtern in der kostenlosen audio app alle begriffe können in

visuelles wörterbuch deutsch als fremdsprache language - Mar 04 2022

[visuelles wörterbuch deutsch als fremdsprache mit audio](#) - Sep 22 2023

visuelles wörterbuch deutsch als fremdsprache mit audio app jedes wort gesprochen isbn 9783831029662 kostenloser versand für alle bücher mit versand und verkauf duch

daf wörterbuch deutsch deutsch 4 app store - Dec 13 2022

das visuelle wörterbuch deutsch ist für alle fremdsprachigen mitbürger geeignet da auf den bildern die wörter nochmals visuell dargestellt sind es gibt viele verschiedene

visuelles wörterbuch deutsch als fremdsprache mit audio - Sep 10 2022

visuelles wörterbuch deutsch als fremdsprache finden sie alle bücher von visuelles wörterbuch buch bei der büchersuchmaschine eurobuch com können sie antiquarische

visuelles wörterbuch deutsch als fremdsprache langpath - Feb 03 2022

das neue visuelle wörterbuch dk verlag dorlingkindersley - Apr 17 2023

ausgesprochen gut das visuelle wörterbuch deutsch als fremdsprache jetzt auch zum anhören mit 7 500 wörtern in der kostenlosen audio app alle begriffe können in

visuelles wörterbuch deutsch als fremdsprache buch - Feb 15 2023

ob englisch japanisch schwedisch oder arabisch mit den visuellen bildwörterbüchern inkl kostenloser audio app und unseren bildwörterbüchern lernen sie neue sprachen im

visuelles wörterbuch deutsch als fremdsprache bücher de - Jan 14 2023

buy visuelles wörterbuch deutsch als fremdsprache mit audio app jedes wort gesprochen by unknown isbn 9783831029662 from amazon s book store everyday low

visuelles wörterbuch deutsch als fremdsprache thalia - Mar 16 2023

isbn 13 978 3 8310 9116 4 abmessungen 16 5 x 13 7 cm reihe coventgarden lieferstatus nicht verfügbar preis 9 95 buch kaufen online verfügbarkeit² lokal verfügbarkeit ca 15

9781782272960 browse love letters to bookshops around the - Aug 02 2022

web edited and introduced by the writer and critic henry hitchings these fearless passionate inquiring essays by award winning international writers celebrate one of our most

browse love letters bookshops abebooks - May 31 2022

web we re leaving the world better than we found it one love letter at a time the world needs more love letters is a global organization combining the power of social media

browse love letters to bookshops around the world alibris - Jan 27 2022

web amazon in buy 100 world s greatest love letters book online at best prices in india on amazon in read 100 world s greatest love letters book reviews author details and

loading interface goodreads - Oct 24 2021

browse love letters to bookshops around the world hardcover - Dec 06 2022

web browse love letters to bookshops around the world authors various on amazon com au free shipping on eligible orders browse love letters to

browse the world in bookshops love letters to bookshops - Apr 10 2023

web oct 6 2016 buy browse the world in bookshops love letters to bookshops around the world first edition by henry

hitchings isbn 9781782272120 from

browse love letters to bookshops around the world - Mar 29 2022

web in browse henry hitchings asks fifteen writers from around the world to reveal their favourite bookshops each conjuring a specific time and place these inquisitive

browse love letters to bookshops around the world - Oct 04 2022

web a celebration of the greatest kind of shop in the world by an award winning cast of writers including ali smith andrey kurkov elif shafak and daniel kehlmann a cabinet of

browse love letters to bookshops around the world paperback - Jul 13 2023

web nov 8 2018 a cabinet of curiosities a time machine a treasure trove we love bookshops because they possess a unique kind of magic in browse henry hitchings

[browse love letters to bookshops around the world](#) - Mar 09 2023

web aug 6 2019 in browse henry hitchings asks fifteen writers from around the world to reveal their favourite bookshops each conjuring a specific time and place these

browse love letters to bookshops around the world - Aug 14 2023

web aug 6 2019 a celebration of the greatest kind of shop in the world by an award winning cast of writers including ali smith michael dirda elif shafak and daniel kehlmann a

[browse love letters to bookshops around the world](#) - May 11 2023

web in browse henry hitchings asks fifteen writers from around the world to reveal their favourite bookshops each conjuring a specific time and place these inquisitive

browse love letters to bookshops around the world - Feb 08 2023

web booktopia has browse love letters to bookshops around the world by various authors buy a discounted paperback of browse online from australia s leading online

[browse love letters to bookshops around the world by](#) - Jan 07 2023

web browse love letters to bookshops around the world smith ali li yiyun mishra pankaj aswany alaa al dirda michael sinclair iain sansom ian kehlmann daniel

the world needs more love letters - Apr 29 2022

web browse love letters to bookshops around the world aswany alaa al smith ali kurkov andrey kehlmann daniel nors dorthe sinclair iain sansom ian dirda

browse love letters to bookshops around the world authors - Nov 05 2022

web in browse henry hitchings asks fifteen writers from around the world to reveal their favourite bookshops each conjuring

a specific time and place ali smith chronicles the

browse love letters to bookshops around the - Jul 01 2022

web browse love letters to bookshops around the world by various and a great selection of related books art and collectibles available now at abebooks co uk

browse love letters to bookshops around the world - Feb 25 2022

web buy browse love letters to bookshops around the world by ali smith yiyun li pankaj mishra online at alibris we have new and used copies available in 2 editions starting

100 world s greatest love letters amazon in - Dec 26 2021

web clear rating 1 of 5 stars 2 of 5 stars 3 of 5 stars 4 of 5 stars 5 of 5 stars 4 love in the afternoon the hathaways 5 by lisa kleypas goodreads author 4 20 avg rating

love letters in romance novels 30 books goodreads - Nov 24 2021

web discover and share books you love on goodreads

browse love letters to bookshops around the world storytel - Sep 03 2022

web in browse henry hitchings asks fifteen writers from around the world to reveal their favourite bookshops each conjuring a specific time and place these inquisitive

browse love letters to bookshops around the world google - Jun 12 2023

web in browse henry hitchings asks fifteen writers from around the world to consider the bookshops that have shaped them each conjures a specific time and place ali smith