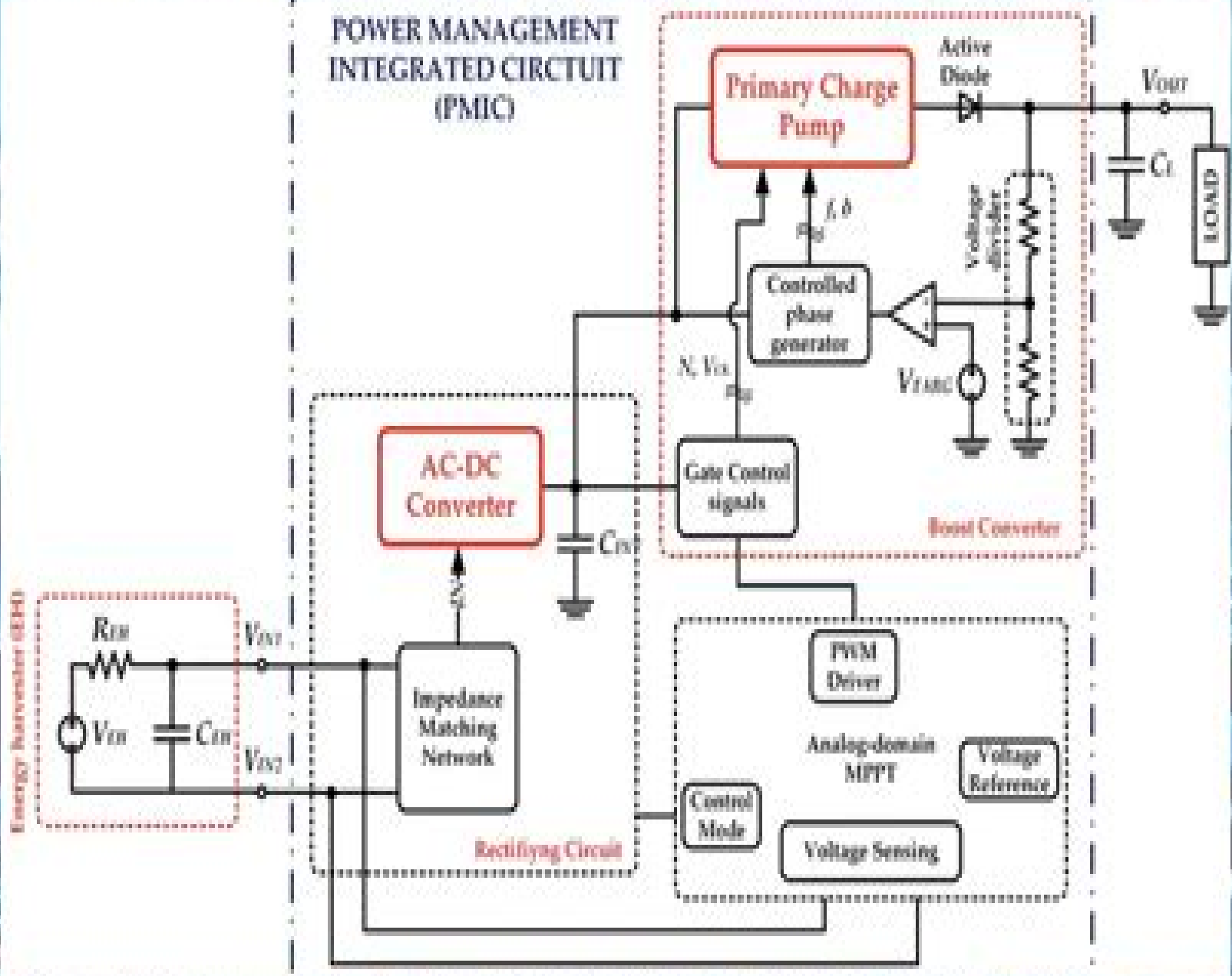


POWER MANAGEMENT INTEGRATED CIRCUIT (PMIC)



Power Management Integrated Circuit Analysis And Design

Arthur Bernard Williams



Power Management Integrated Circuit Analysis And Design:

Power Management Integrated Circuit Analysis and Design Wing-Hung Ki, 2017-05-08 A timely one stop pioneering book presenting all four major power management integrated circuits Existing analog IC books usually focus on amplifier and comparator designs with some extend to switched capacitor filter designs and analog to digital and digital to analog converters design There is no book yet on power management integrated circuits Ki s book fills the void This self contained book discusses all fundamental concepts in switching converters low dropout regulators charge pumps and voltage references systematically and in the context of analog integrated circuit design Furthermore concepts are discussed in both qualitative and quantitative aspects Qualitative understanding is important in getting the essential operation of a circuit but quantitative analysis supplies the solid foundation on which qualitative discussion is based First book covering all four major power management circuits All concepts discussed in both qualitative and quantitative aspects Written as a self contained text well organized and systematic Authored by a pioneering scientist in the field Supplementary instructional materials available for lecturers MATLAB simulation code for readers to download and practice on their own

Design of Power Management Integrated Circuits Bernhard Wicht, 2024-05-14 Design of Power Management Integrated Circuits Comprehensive resource on power management ICs affording new levels of functionality and applications with cost reduction in various fields Design of Power Management Integrated Circuits is a comprehensive reference for power management IC design covering the circuit design of main power management circuits like linear and switched mode voltage regulators along with sub circuits such as power switches gate drivers and their supply level shifters the error amplifier current sensing and control loop design Circuits for protection and diagnostics as well as aspects of the physical design like lateral and vertical power delivery pin out floor planning grounding supply guidelines and packaging are also addressed A full chapter is dedicated to the design of integrated passives The text illustrates the application of power management integrated circuits PMIC to growth areas like computing the Internet of Things mobility and renewable energy Includes numerous real world examples case studies and exercises illustrating key design concepts and techniques Offering a unique insight into this rapidly evolving technology through the author s experience developing PMICs in both the industrial and academic environment Design of Power Management Integrated Circuits includes information on Capacitive inductive and hybrid DC DC converters and their essential circuit blocks covering error amplifiers comparators and ramp generators Sensing protection and diagnostics covering thermal protection inductive loads and clamping structures under voltage reference and power on reset generation Integrated MOS MOM and MIM capacitors integrated inductors Control loop design and PWM generation ensuring stability and fast transient response subharmonic oscillations in current mode control analysis and circuit design for slope compensation DC behavior and DC related circuit design covering power efficiency line and load regulation error amplifier dropout and power transistor sizing Commonly used level shifters including sizing rules and

cascaded tapered driver sizing and optimization guidelines Optimizing the physical design considering packaging floor planning EMI pinout PCB design and thermal design Design of Power Management Integrated Circuits is an essential resource on the subject for circuit designers IC designers system engineers and application engineers along with advanced undergraduate students and graduate students in related programs of study **Power Management Integrated Circuits** Amit Patra, Shailendra Baranwal, Ashis Maity, Samiran Dam, Syed Asif Eqbal, 2024-09-09 This book intends to be a comprehensive text on the topic of integrated circuits for power management putting together both theoretical foundations and practical details leading to successful design practices in research and industry It covers all the three main categories of power management circuits viz linear regulators inductor based switchers and switched capacitor circuits and presents detailed discussion of their common topologies operation and modeling Features Includes underlying theory and design implementation practical ingredients for power management integrated circuits PMICs Provides in depth analysis of topologies and circuits related to linear regulators switched capacitor converters and inductor based converters Covers all the relevant topics at the intersection between power electronics and integrated circuit design areas Provides guidelines for design of circuits and solutions for all the pertinent topologies Indicates all important issues and the related trade offs in the design of PMICs The book will be a valuable resource for senior and graduate level students as well as industry professionals who have done university level courses on analog circuit design control systems and power electronics Power Management Integrated Circuits Mona M. Hella, Patrick Mercier, 2017-12-19 Power Management Integrated Circuits and Technologies delivers a modern treatise on mixed signal integrated circuit design for power management Comprised of chapters authored by leading researchers from industry and academia this definitive text Describes circuit and architectural level innovations that meet advanced power and speed capabilities Explores hybrid inductive capacitive converters for wide range dynamic voltage scaling Presents innovative control techniques for single inductor dual output SIDO and single inductor multiple output SIMO converters Discusses cutting edge design techniques including switching converters for analog RF loads Compares the use of GaAs pHEMTs to CMOS devices for efficient high frequency switching converters Thus Power Management Integrated Circuits and Technologies provides comprehensive state of the art coverage of this exciting and emerging field of engineering *Power Management Integrated Circuits* Amit Patra, 2025 This book intends to be a comprehensive text on the topic of integrated circuits for power management putting together both theoretical foundations and practical details leading to successful design practices in research and industry It covers all the three main categories of power management circuits viz linear regulators inductor based switchers and switched capacitor circuits presenting detailed discussion of their common topologies operation and modeling Features Includes underlying theory and design implementation practical ingredients for Power Management Integrated Circuits PMICs Provides in depth analysis of topologies and circuits related to linear regulators switched capacitor converters and inductor based converters Covers all

the relevant topics at the intersection between power electronics and integrated circuit design areas Provide guidelines for design of circuits and solutions for all the pertinent topologies Indicate all important issues and the related trade offs in design of PMICs The book will be a valuable resource for senior and graduate level students as well as industry professionals who have done university level courses on analog circuit design control systems and power electronics Designer's Handbook of Integrated Circuits Arthur Bernard Williams,1984 EDN. ,1987 *The Oryx Guide to Distance Learning* William E. Burgess,1997 Provides informative descriptions of 4 200 media assisted courses offered by 420 accredited postsecondary institutions in the United States The courses are organized by state and then by institution Each entry includes institution address telephone and fax numbers geographic access area descriptions of the courses and delivery methods and information about accreditation admission requirements tuition credit awarded grade exam system and library services New to the second edition are 130 new institutions World Wide Web URLs e mail addresses and subject index cross references Annotation copyrighted by Book News Inc Portland OR

Design of Power Management Integrated Circuits
Bernhard Wicht,2024-05-13 Design of Power Management Integrated Circuits Comprehensive resource on power management ICs affording new levels of functionality and applications with cost reduction in various fields Design of Power Management Integrated Circuits is a comprehensive reference for power management IC design covering the circuit design of main power management circuits like linear and switched mode voltage regulators along with sub circuits such as power switches gate drivers and their supply level shifters the error amplifier current sensing and control loop design Circuits for protection and diagnostics as well as aspects of the physical design like lateral and vertical power delivery pin out floor planning grounding supply guidelines and packaging are also addressed A full chapter is dedicated to the design of integrated passives The text illustrates the application of power management integrated circuits PMIC to growth areas like computing the Internet of Things mobility and renewable energy Includes numerous real world examples case studies and exercises illustrating key design concepts and techniques Offering a unique insight into this rapidly evolving technology through the author s experience developing PMICs in both the industrial and academic environment Design of Power Management Integrated Circuits includes information on Capacitive inductive and hybrid DC DC converters and their essential circuit blocks covering error amplifiers comparators and ramp generators Sensing protection and diagnostics covering thermal protection inductive loads and clamping structures under voltage reference and power on reset generation Integrated MOS MOM and MIM capacitors integrated inductors Control loop design and PWM generation ensuring stability and fast transient response subharmonic oscillations in current mode control analysis and circuit design for slope compensation DC behavior and DC related circuit design covering power efficiency line and load regulation error amplifier dropout and power transistor sizing Commonly used level shifters including sizing rules and cascaded tapered driver sizing and optimization guidelines Optimizing the physical design considering packaging floor planning EMI pinout PCB design and

thermal design Design of Power Management Integrated Circuits is an essential resource on the subject for circuit designers IC designers system engineers and application engineers along with advanced undergraduate students and graduate students in related programs of study

ElectronicsWeek ,1984 **A Guide to the Literature of Electrical and Electronics Engineering** Susan Ardis,1987 **Peterson's Graduate Programs in Engineering and Applied Sciences, 1996** Peterson's Guides,Peterson's Guides Staff,Peterson's,1995-12-10 Graduate students depend on this series and ask for it by name Why For over 30 years it s been the only one stop source that supplies all of their information needs The new editions of this six volume set contain the most comprehensive information available on more than 1 500 colleges offering over 31 000 master s doctoral and professional degree programs in more than 350 disciplines New for 1997 Non degree granting research centers institutes and training programs that are part of a graduate degree program Five discipline specific volumes detail entrance and program requirements deadlines costs contacts and special options such as distance learning for each program if available Each Guide features The Graduate Adviser which discusses entrance exams financial aid accreditation and more Interest in these fields has never been higher And this is the source to the 3 400 programs currently available from bioengineering and computer science to construction management

CMOS Nanoelectronics: Analog and RF VLSI Circuits Krzysztof Iniewski,2011-07-19 In depth coverage of integrated circuit design on the nanoscale level Written by international experts in industry and academia CMOS Nanoelectronics addresses the state of the art in integrated circuit design in the context of emerging systems New exciting opportunities in body area networks wireless communications data networking and optical imaging are discussed This cutting edge guide explores emerging design concepts for very low power and describes design approaches for RF transceivers high speed serial links PLL DLL and ADC DAC converters CMOS Nanoelectronics covers Portable high efficiency polar transmitters All digital RF signal generation Frequency multiplier design Tunable CMOS RF filters GaAs HBT linear power amplifier design High speed serial I O design CDMA based crosstalk cancellation Delta sigma fractional N PLL Delay locked loops Digital clock generators Analog design in deep submicron CMOS technologies 1 f noise reduction for linear analog CMOS ICs Broadband high resolution bandpass sigma delta modulators Analog digital conversion specifications for power line communication systems Digital to analog converters for LCDs Sub 1 V CMOS bandgap reference design And much more

British Universities' Guide to Graduate Study ,1992 **Proceedings of Technical Papers** ,1995 **Which Degree?** ,1985 **Catalogs of Courses** University of California, Berkeley,1994 Includes general and summer catalogs issued between 1878 1879 and 1995 1997

Which Degree Guide ,2001 **Dissertation Abstracts International** ,2005 **IFAC International Symposium on Systems Engineering Education in Developing Nations, 4-7 November 1974** ,1974

Recognizing the quirk ways to acquire this books **Power Management Integrated Circuit Analysis And Design** is additionally useful. You have remained in right site to begin getting this info. get the Power Management Integrated Circuit Analysis And Design join that we have the funds for here and check out the link.

You could buy guide Power Management Integrated Circuit Analysis And Design or acquire it as soon as feasible. You could speedily download this Power Management Integrated Circuit Analysis And Design after getting deal. So, later than you require the books swiftly, you can straight acquire it. Its therefore enormously easy and hence fats, isnt it? You have to favor to in this way of being

https://py.bijouxmedusa.com/book/uploaded-files/HomePages/Death_On_The_Nile_A_Hercule_Poirot_Mystery.pdf

Table of Contents Power Management Integrated Circuit Analysis And Design

1. Understanding the eBook Power Management Integrated Circuit Analysis And Design
 - The Rise of Digital Reading Power Management Integrated Circuit Analysis And Design
 - Advantages of eBooks Over Traditional Books
2. Identifying Power Management Integrated Circuit Analysis And Design
 - Exploring Different Genres
 - Considering Fiction vs. Non-Fiction
 - Determining Your Reading Goals
3. Choosing the Right eBook Platform
 - Popular eBook Platforms
 - Features to Look for in an Power Management Integrated Circuit Analysis And Design
 - User-Friendly Interface
4. Exploring eBook Recommendations from Power Management Integrated Circuit Analysis And Design
 - Personalized Recommendations
 - Power Management Integrated Circuit Analysis And Design User Reviews and Ratings
 - Power Management Integrated Circuit Analysis And Design and Bestseller Lists

5. Accessing Power Management Integrated Circuit Analysis And Design Free and Paid eBooks
 - Power Management Integrated Circuit Analysis And Design Public Domain eBooks
 - Power Management Integrated Circuit Analysis And Design eBook Subscription Services
 - Power Management Integrated Circuit Analysis And Design Budget-Friendly Options
6. Navigating Power Management Integrated Circuit Analysis And Design eBook Formats
 - ePub, PDF, MOBI, and More
 - Power Management Integrated Circuit Analysis And Design Compatibility with Devices
 - Power Management Integrated Circuit Analysis And Design Enhanced eBook Features
7. Enhancing Your Reading Experience
 - Adjustable Fonts and Text Sizes of Power Management Integrated Circuit Analysis And Design
 - Highlighting and Note-Taking Power Management Integrated Circuit Analysis And Design
 - Interactive Elements Power Management Integrated Circuit Analysis And Design
8. Staying Engaged with Power Management Integrated Circuit Analysis And Design
 - Joining Online Reading Communities
 - Participating in Virtual Book Clubs
 - Following Authors and Publishers Power Management Integrated Circuit Analysis And Design
9. Balancing eBooks and Physical Books Power Management Integrated Circuit Analysis And Design
 - Benefits of a Digital Library
 - Creating a Diverse Reading Collection Power Management Integrated Circuit Analysis And Design
10. Overcoming Reading Challenges
 - Dealing with Digital Eye Strain
 - Minimizing Distractions
 - Managing Screen Time
11. Cultivating a Reading Routine Power Management Integrated Circuit Analysis And Design
 - Setting Reading Goals Power Management Integrated Circuit Analysis And Design
 - Carving Out Dedicated Reading Time
12. Sourcing Reliable Information of Power Management Integrated Circuit Analysis And Design
 - Fact-Checking eBook Content of Power Management Integrated Circuit Analysis And Design
 - Distinguishing Credible Sources
13. Promoting Lifelong Learning

- Utilizing eBooks for Skill Development
 - Exploring Educational eBooks
14. Embracing eBook Trends
- Integration of Multimedia Elements
 - Interactive and Gamified eBooks

Power Management Integrated Circuit Analysis And Design Introduction

Power Management Integrated Circuit Analysis And Design Offers over 60,000 free eBooks, including many classics that are in the public domain. Open Library: Provides access to over 1 million free eBooks, including classic literature and contemporary works. Power Management Integrated Circuit Analysis And Design Offers a vast collection of books, some of which are available for free as PDF downloads, particularly older books in the public domain. Power Management Integrated Circuit Analysis And Design : This website hosts a vast collection of scientific articles, books, and textbooks. While it operates in a legal gray area due to copyright issues, its a popular resource for finding various publications. Internet Archive for Power Management Integrated Circuit Analysis And Design : Has an extensive collection of digital content, including books, articles, videos, and more. It has a massive library of free downloadable books. Free-eBooks Power Management Integrated Circuit Analysis And Design Offers a diverse range of free eBooks across various genres. Power Management Integrated Circuit Analysis And Design Focuses mainly on educational books, textbooks, and business books. It offers free PDF downloads for educational purposes. Power Management Integrated Circuit Analysis And Design Provides a large selection of free eBooks in different genres, which are available for download in various formats, including PDF. Finding specific Power Management Integrated Circuit Analysis And Design, especially related to Power Management Integrated Circuit Analysis And Design, might be challenging as theyre often artistic creations rather than practical blueprints. However, you can explore the following steps to search for or create your own Online Searches: Look for websites, forums, or blogs dedicated to Power Management Integrated Circuit Analysis And Design, Sometimes enthusiasts share their designs or concepts in PDF format. Books and Magazines Some Power Management Integrated Circuit Analysis And Design books or magazines might include. Look for these in online stores or libraries. Remember that while Power Management Integrated Circuit Analysis And Design, sharing copyrighted material without permission is not legal. Always ensure youre either creating your own or obtaining them from legitimate sources that allow sharing and downloading. Library Check if your local library offers eBook lending services. Many libraries have digital catalogs where you can borrow Power Management Integrated Circuit Analysis And Design eBooks for free, including popular titles. Online Retailers: Websites like Amazon, Google Books, or Apple Books often sell eBooks. Sometimes, authors or publishers offer promotions or free periods for certain books. Authors Website

Occasionally, authors provide excerpts or short stories for free on their websites. While this might not be the Power Management Integrated Circuit Analysis And Design full book, it can give you a taste of the authors writing style. Subscription Services Platforms like Kindle Unlimited or Scribd offer subscription-based access to a wide range of Power Management Integrated Circuit Analysis And Design eBooks, including some popular titles.

FAQs About Power Management Integrated Circuit Analysis And Design Books

What is a Power Management Integrated Circuit Analysis And Design PDF? A PDF (Portable Document Format) is a file format developed by Adobe that preserves the layout and formatting of a document, regardless of the software, hardware, or operating system used to view or print it. **How do I create a Power Management Integrated Circuit Analysis And Design PDF?** There are several ways to create a PDF: Use software like Adobe Acrobat, Microsoft Word, or Google Docs, which often have built-in PDF creation tools. Print to PDF: Many applications and operating systems have a "Print to PDF" option that allows you to save a document as a PDF file instead of printing it on paper. Online converters: There are various online tools that can convert different file types to PDF. **How do I edit a Power Management Integrated Circuit Analysis And Design PDF?** Editing a PDF can be done with software like Adobe Acrobat, which allows direct editing of text, images, and other elements within the PDF. Some free tools, like PDFescape or Smallpdf, also offer basic editing capabilities. **How do I convert a Power Management Integrated Circuit Analysis And Design PDF to another file format?** There are multiple ways to convert a PDF to another format: Use online converters like Smallpdf, Zamzar, or Adobe Acrobats export feature to convert PDFs to formats like Word, Excel, JPEG, etc. Software like Adobe Acrobat, Microsoft Word, or other PDF editors may have options to export or save PDFs in different formats. **How do I password-protect a Power Management Integrated Circuit Analysis And Design PDF?** Most PDF editing software allows you to add password protection. In Adobe Acrobat, for instance, you can go to "File" -> "Properties" -> "Security" to set a password to restrict access or editing capabilities. Are there any free alternatives to Adobe Acrobat for working with PDFs? Yes, there are many free alternatives for working with PDFs, such as: LibreOffice: Offers PDF editing features. PDFsam: Allows splitting, merging, and editing PDFs. Foxit Reader: Provides basic PDF viewing and editing capabilities. How do I compress a PDF file? You can use online tools like Smallpdf, ILovePDF, or desktop software like Adobe Acrobat to compress PDF files without significant quality loss. Compression reduces the file size, making it easier to share and download. Can I fill out forms in a PDF file? Yes, most PDF viewers/editors like Adobe Acrobat, Preview (on Mac), or various online tools allow you to fill out forms in PDF files by selecting text fields and entering information. Are there any restrictions when working with PDFs? Some PDFs might have restrictions set by their creator, such as password protection, editing

restrictions, or print restrictions. Breaking these restrictions might require specific software or tools, which may or may not be legal depending on the circumstances and local laws.

Find Power Management Integrated Circuit Analysis And Design :

death on the Nile a Hercule Poirot mystery

data sheet vtm

decretos del libro de oro de saint germain

dermatology multiple choice questions and answers

dead doctors don't lie download pdf books about dead doctors don't lie or use online pdf viewer share books with your fri

daewoo lacetti nubira service

damn good advice for people with talent mobappore

death and the penguin andrey kurkov

dbms by a a puntambekar websites books google

daygame mastery

daido engine bearing catalogue benitomo

customer relationship management crm a case study of

deliverance of the brain by dr d k olukoya

dear mr you

darwins cathedral evolution religion and the nature of society david sloan wilson

Power Management Integrated Circuit Analysis And Design :

lesson plan bilingual classrooms multilingual learning toolkit - Oct 07 2023

web lesson plan bilingual classrooms this set of activities is designed for teacher educators to use to introduce teachers to the work of supporting children in bilingual classrooms

bilingual lesson plans worksheets reviewed by teachers - Jun 03 2023

web find bilingual lesson plans and teaching resources from bilingual education worksheets to bilingual students videos

quickly find teacher reviewed educational resources

results for bilingual 3rd grade reading tpt - May 22 2022

web into reading 3rd grade bilingual scaredy squirrel staar like questions created by a tale of two languages this resource

includes 11 comprehension and open ended questions for hmh into reading module 1 scary squirrel in both english and spanish

lesson plan templates bilingual teaching resources tpt - Dec 29 2022

web this product consists of a guided reading lesson plan with the following components phonemic awareness phonics book introduction shared reading independent reading comprehension and writing i have also included a blank guided reading template you can use to plan your lessons that are tailored to this plan

website planning in a bilingual classroom read write think - Feb 28 2023

web overview in this lesson designed for a heterogeneous group of students that includes english language learners students work together to plan a website based on their home knowledge an introductory lesson outlines the structure and components of simple websites home page titles headings links

results for bilingual third grade tpt - Jun 22 2022

web bilingual made easy spanish this third grade bilingual english spanish math bundle contains 9 different math concepts each product contains worksheets that are both in english and spanish with these all of your english language learners can work together within the same lesson also included are task cards anchor charts and vocabulary

lesson plan for third grade bilingual students - Nov 27 2022

web lesson plan for third grade bilingual students language arts reading class taught primarily in spanish objective students will be introduced to cognates as scaffolding for comprehension of english students will apply their new knowledge to text in english students will

3rd grade bilingual teaching resources teachers pay teachers - Jul 24 2022

web 3rd grade staar math test prep this is the combined english and spanish version improve math scores on standardized tests using these practice tests for grade 3 includes 44 questions and answers these tests can be taken on paper print and go or online using paperless google docs both versions are included with your purchase

lesson plans for 3rd graders teachervision - Mar 20 2022

web lesson plans for 3rd graders 449 results found sort by most popular x 3rd grade x lesson plans lesson plans focused mini lessons mini lessons promote easy regular skill building teach your students smaller concepts with focused mini lessons they download add to favorites lesson plans explaining how to make a bar graph

sample bilingual unit framework 3rd grade teaching for - Sep 06 2023

web bilingual unit framework sample for 3rd grade note this is a sample unit plan a lesson plan would have to be developed from this unit plan and the district literacy routines program would need to be incorporated into both the unit and lesson plan content area language arts integrated with science

english language arts grade 3 lesson plans worksheets - Sep 25 2022

web new york state testing program english language arts book 2 grade 3 2010 for students 3rd this 3rd grade english language arts standardized test practice worksheet includes multiple choice questions short answer and a paragraph to correct the passage intended for the multiple choice section is not included

bilingual spanish english teaching resources teach starter - Apr 01 2023

web bilingual spanish english for kindergarten bilingual spanish english for 1st grade bilingual spanish english for 2nd grade bilingual spanish english for 3rd grade bilingual spanish english for 4th grade bilingual spanish english for 5th grade bilingual spanish english for 6th grade bilingual spanish english for 7th grade

3rd grade english and bilingual lesson plans wilder elementary - Oct 27 2022

web 5th grade english and bilingual lesson plans resources last item for navigation wilder elementary students parents school closure lesson plans resources 3rd grade english and bilingual lesson plans 3rd

oral language development multilingual learning toolkit - Jan 30 2023

web oral language development in both english and the home language should be a central focus in teaching multilingual learners mls although not all programs provide intentional dual language instruction research suggests that dual language education is optimal for young ml children s learning and development 26 this is the ideal goal

bilingual classrooms dual language multilingual learning toolkit - Jul 04 2023

web sample lesson plan resource walk access additional resources developed to introduce teachers to the work of bilingual classrooms these activities a sample lesson plan and a resource walk are designed to support learning about this instructional topic area through structured exploration of resources on the website click the buttons below

bilingual scholastic - May 02 2023

web bilingual help multilingual learners and ell s build essential skills and early concepts with these engaging bilingual resources mini books games worksheets and practice pages boost vocabulary literacy math and fine motor skills numerous pre writing activities are available all categories filters reset

supporting emergent bilingual children in early learning - Aug 25 2022

web bilinguals or dual language learners we reviewed current research to find the most promising practices for supporting emergent bilinguals in your classroom whether you are a new teacher or a veteran whether you have one or many emergent bilingual children whether or not you are using a dual

browse printable 3rd grade spanish worksheets education com - Feb 16 2022

web 1 learning spanish is an excellent way to increase cultural awareness and language retention in the classroom third grade spanish foreign language worksheets bring language to life with exciting activity printables children learn about

animals family and giving directions with third grade spanish foreign language worksheets

lesson plans more bilingual ed english language learners - Aug 05 2023

web highlights resources for parents students and teachers and is designed for grades 3 12 education world lesson planning a course for teaching english learners

bilingual lesson plans teaching resources tpt - Apr 20 2022

web prek 1 st types thematic unit plans activities lesson also included in seeds spring farm bilingual pre k thematic unit bundle lesson plans 4 95 4 9 10 pdf add one to cart zoo animals thematic unit lesson plans for pre k spanish bilingual created by aw maestra

kit tfa specializzazione sostegno infanzia e primaria edises - Dec 31 2022

web tfa insegnante di sostegno infanzia e primaria 36 00 34 20 paga in tre rate senza interessi con paypal per ordini superiori a 30 euro teoria e quiz per la preparazione

tfa sostegno 2023 bandi di tutte le università e cosa sapere - Mar 22 2022

web jun 15 2023 a cosa serve il tfa sostegno il tfa sostegno è un percorso di formazione per insegnanti che intendono ottenere l'abilitazione all'insegnamento a

tfa insegnante di sostegno requisiti e modalità di accesso - Jul 26 2022

web may 27 2020 il tfa sostegno è un tirocinio formativo attivo della durata di 8 mesi presso le università pubbliche italiane il conseguimento dei cfu richiesti durante il

tfa sostegno 2023 2024 miur istruzione - Mar 02 2023

web nov 2 2023 tfa sostegno requisiti di ammissione ad una classe 12 giu 2023 tfa sostegno nulla osta presso altri atenei viii ciclo ordinario calendario lezioni lezioni

tfa sostegno a a 2022 2023 università di foggia - May 04 2023

web jan 29 2023 tfa sostegno 2023 i requisiti di accesso per infanzia e primaria e le selezioni di redazione tfa sostegno 2023 nei prossimi mesi si svolgeranno le

tfa come si svolge diventa insegnante di sostegno docenti it - Aug 27 2022

web feb 16 2023 tfa sostegno infanzia e primaria i requisiti per partecipare al tfa sostegno per l'infanzia e primaria i requisiti sono i seguenti il titolo di abilitazione

tfa sostegno scuola 2023 viii ciclo - Feb 18 2022

web jun 27 2023 i requisiti tfa sostegno per itp e anche quelli per docenti di scuola secondaria o scuola primaria e dell'infanzia resteranno tali fino al 31 dicembre 2024

insegnante di sostegno dizionario italiano inglese wordreference - Nov 17 2021

web nov 7 2023 [sostegno 2 0 scuola primaria e scuola infanzia](#) è un blog didattico per bambini anche con difficoltà e come supporto per gli insegnanti di sostegno e i

tfa sostegno a cosa serve e quanto vale ticonsiglio - Apr 22 2022

web feb 13 2023 [il tfa sostegno è obbligatorio per coloro che desiderano diventare insegnanti di sostegno sia nella scuola dell'infanzia e primaria che nella scuola](#)

[come diventare insegnante di sostegno tfa 2023](#) - Oct 09 2023

L'insegnante di sostegno è una figura fondamentale per la scuola italiana viene assegnato solamente alle classi in cui sono presenti bambini disabili ma il suo lavoro è comunque rivolto a tutta la classe favorisce l'integrazione a scuola e la didattica inclusiva non solo dei bambini disabili see more

[tfa sostegno 2023 i requisiti di accesso per infanzia e primaria](#) - Sep 08 2023

la funzione dell'insegnante di sostegno è quindi quella di favorire insieme agli altri docenti lo sviluppo di una strategia didattica inclusiva attraverso metodologie specifiche orientate see more

[tfa sostegno infanzia e primaria cosa studiare e come prepararsi](#) - Jun 05 2023

per accedere a incarichi di ruolo bisogna superare i concorsi indetti periodicamente dal ministero dell'istruzione resta aggiornato sui concorsi a cattedra con i nostri see more

tfa sostegno 2023 requisiti e opportunità la scuola oggi - May 24 2022

web may 31 2023 [per la scuola dell'infanzia e primaria abilitazione all'insegnamento conseguito presso i corsi di laurea in scienze della formazione primaria o analogo titolo](#)

requisiti tfa sostegno e come funziona fino al 2024 - Aug 07 2023

per una preparazione completa alle prove d'esame previste dal concorso tfa sostegno didattico 2023 sono disponibili i nuovi kit edises see more

[tfa insegnante di sostegno infanzia e primaria edizioni simone](#) - Feb 01 2023

web dec 28 2022 [per l'accesso ai percorsi di specializzazione nella scuola primaria e dell'infanzia i requisiti sono uno dei seguenti](#)

[come diventare insegnante di sostegno tfa requisiti](#) - Jul 06 2023

L'abilitazione per diventare docente di sostegno si acquisisce attraverso un percorso di specializzazione strutturato nella forma del tfa tirocinio formativo attivo per poter accedere al percorso del tfa però è see more

[manuale tfa sostegno didattico nelle scuole dell'infanzia e](#) - Oct 17 2021

web italiano inglese insegnante di sostegno special needs teacher special needs teaching assistant n nota in the italian school systems such teachers assist the main teacher in

sostegno 2 0 scuola primaria e scuola infanzia didattica e - Dec 19 2021

web tirocinio formativo attivo meaning active formative traineeship or t f a for short is a post graduate course in order to be acknowledged as a public teacher of secondary

tfa sostegno viii ciclo requisiti per infanzia primaria - Apr 03 2023

web attivato ufficialmente il vii ciclo del tfa sostegno infanzia e primaria grazie al decreto emanato dal ministero dell'istruzione il 31 marzo 2022 nel decreto si legge che date della

tfa sostegno viii ciclo requisiti d accesso e posti disponibili - Sep 27 2022

web per diventare insegnante di sostegno bisogna fare riferimento ai decreti attuativi della legge n 107 2015 che hanno modificato a partire dal 2019 i criteri per diventare

italian teachers traineeship tfa wikipedia - Jan 20 2022

web di sostegno in italia i kit di preparazione tfa sostegno 2023 si rivolgono agli aspiranti docenti di sostegno per le scuole di ogni grado che desiderano prepararsi per affrontare

tfa sostegno 2023 chi può partecipare ecco tutti i requisiti - Jun 24 2022

web tfa sostegno per la scuola dell'infanzia primaria se l'obiettivo è quello di insegnare in una scuola dell'infanzia oppure in una scuola primaria bisogna aver

come diventare insegnante di sostegno scuola - Oct 29 2022

web questo manuale tfa sostegno nella scuola dell'infanzia e primaria si rivolge a coloro che intendono sostenere le prove per l'accesso ai corsi di specializzazione per le attività

tf16 1a tfa sostegno nella scuola nell'infanzia e primaria - Nov 29 2022

web specializzazione sostegno per la scuola dell'infanzia e primaria 2023 valido per la preparazione alle prove di ammissione al tfa sostegno didattico nelle scuole

afsaef faq afsa education foundation - Aug 02 2022

web moneyskill is an interactive online personal finance course available to educators at no cost the course consists of 37 modules or topic areas that address a broad range of personal finance concepts and includes built in quiz questions pre and post tests real life simulations and more

supplemental ideos per module - Mar 29 2022

web questions to supplement the moneyskill course content while we have closely reviewed the videos to ensure they are appropriate for most age groups and relevant to the moneyskill content areas we strongly encourage educators to review the videos before sharing with students and to consider your individual situation if you have questions or

answers for moneyskill r teenagers reddit - Apr 10 2023

Power Management Integrated Circuit Analysis And Design

web jul 5 2019 i d do the work for you t t i m doin it rn and i will totally send you pictures if you can answer the stuff for me my teacher is a hardass and i have to get 70 on all the modules to pass it s due by the monday after thanksgiving break i d love to sounds super interesting tbh

[money skill modules 1 2 flashcards quizlet](#) - Aug 14 2023

web finance money skill modules 1 2 value n click the card to flip a relatively permanent personal belief about what you regard as important worthy desirable or right click the card to flip 1 27 flashcards learn test match q chat created by lapulley teacher 1 the plans we have for our lives 2 lifetime plan terms in this set 27 value n

personal finance module 3 flashcards and study sets quizlet - Feb 08 2023

web learn personal finance module 3 with free interactive flashcards choose from 5 000 different sets of personal finance module 3 flashcards on quizlet

[money skill module 1 13 flashcards quizlet](#) - Sep 15 2023

web finance money skill module 1 13 financial education click the card to flip the skills and knowledge of financial matters to confidently take effective actions to best fulfill an individual s personal family and global community goals click the card to flip 1 22 flashcards learn test match q chat created by ehedmonds teacher

practical money skills - Mar 09 2023

web test your money skills and give your brain a workout with these fun and educational games play now teach your money your future an interactive guide to budgeting saving and more money topics to set students on a path to financial fitness learn more teach innovative educator

money skills flashcards quizlet - Jan 07 2023

web 1 40 flashcards learn test match q chat created by mclellanw terms in this set 40 demand deposit also known as a checking account because owner can demand funds at any time without notice check number found in the top right of a check used for record keeping purposes post dated check a check dated for some time in the future

[money skill post test answers](#) - Nov 05 2022

web money skill post test answers average score 0 welcome to money skill in this program you will have an opportunity to get the basics of money management by looking at income expenses saving and investing credit and insurance

money skill student afsa education foundation - May 31 2022

web personal finance sneak peek average score 0 0 complete calculator overview welcome to money skill in this program you will have an opportunity to get the basics of money management by looking at income expenses saving and

money skill post test answers form fill out and sign printable - Jul 01 2022

web money skill post test answers check out how easy it is to complete and esign documents online using fillable templates

and a powerful editor get everything done in minutes

[moneyskill student afsa education foundation](#) - Oct 04 2022

web curriculum pre test benchmark exam score 0 1 the plans we have for our lives 05 07 2017 05 05 2018

[moneyskill modules 21 22 23 24 flashcards quizlet](#) - Jun 12 2023

web federal reserve a quasi governmental organization formed to regulate the money supply and help keep the economy stable rule of 72 a math formula that calculates how long it will take for money earning a set rate of interest to double study with quizlet and memorize flashcards containing terms like liquid asset liquidity susceptible and more

money skills post test review flashcards quizlet - Jul 13 2023

web a section in irs tax code setting up an investment as one of these reduces taxable income now matching the term used to describe an employer adding a percentage of an employee s contributions to a retirement plans you put 1000 the employer puts in 250 common is 1 for each 1 up to 6 of your salary or 50 for each dollar up to 6

moneyskill module answers fill online printable fillable blank - Sep 03 2022

web 01 individuals who are enrolled in or taking a course or program that includes the moneyskill module 02 students who are seeking to improve their financial literacy skills and knowledge 03 individuals who want to gain a better understanding of personal finance and money management

what are the all module quiz answers for moneyskillorg - May 11 2023

web sep 21 2023 the correct answers for the impossible quiz impossible quiz 2 and the first 2 chapters of the impossible quiz book all by splapp me do are at the related questions below what are all

[moneyskill mania 2020 58 plays quizizz](#) - Dec 06 2022

web classes moneyskill mania 2020 quiz for 10th grade students find other quizzes for life skills and more on quizizz for free

[moneyskill module 1 13 flashcards quizlet](#) - Oct 16 2023

web 1 22 flashcards learn test match q chat created by sunmy haden teacher terms in this set 22 financial education the skills and knowledge of financial matters to confidently take effective actions to best fulfill an individual s personal family and global community goals financial plan

[moneyskill pretest answers 2023](#) - Apr 29 2022

web pretest is the closest you can get to seeing the test before you take it this one of a kind test prep guide helps you get to know material on the actual exam practice with 500 multiple choice questions many with clinical vignettes build confidence skills and knowledge find references with every answer there are plenty of answers out there

[test your smart money knowledge and boost your skills with this quiz cnbc](#) - Feb 25 2022

web sep 3 2019 test your smart money iq by taking our quiz put together by cabrera capital markets ceo martin cabrera jr a

member of invest in you financial wellness advisory council it s also a good guide