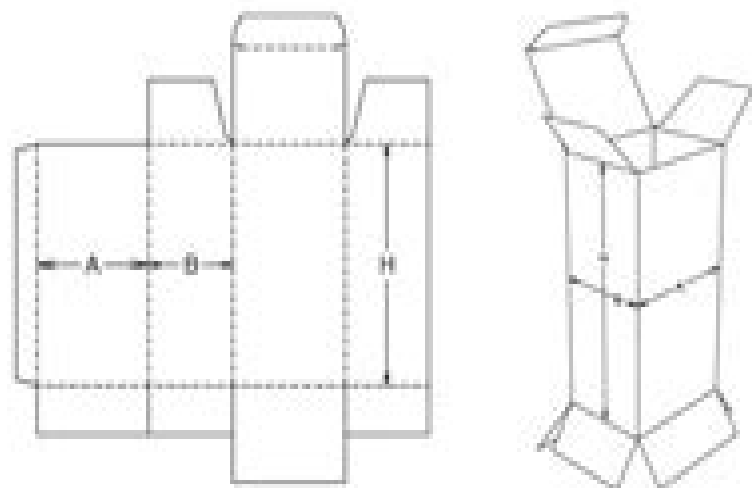
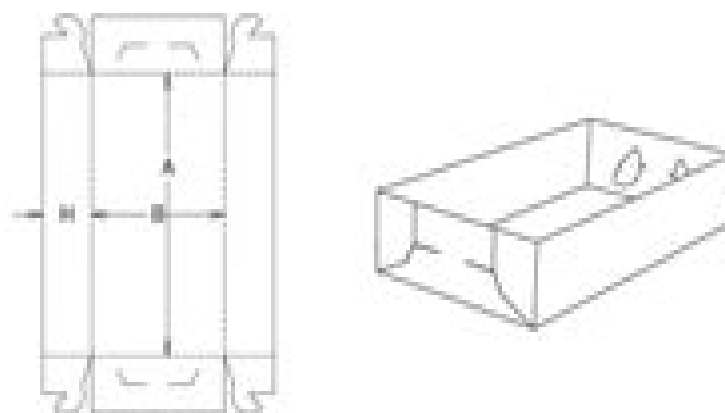


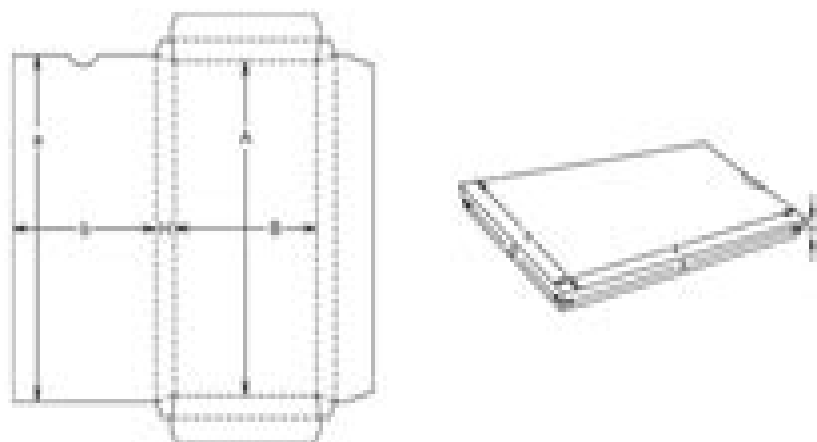
A 11.20.03.03



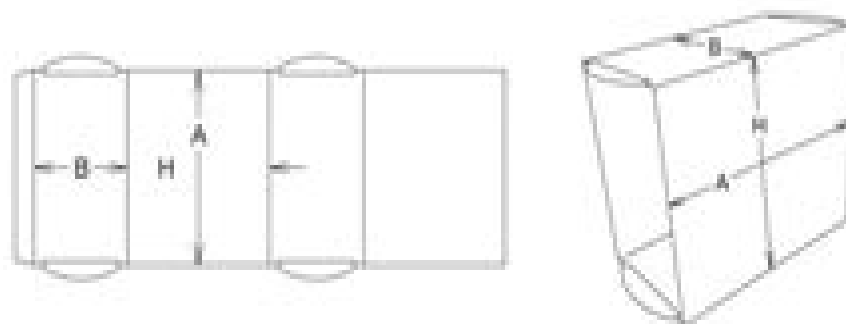
B 15.06.00.00



D 20.20.20.50



E 11.20.00.00



Standard Ecma

Richard Bailey



Standard Ecma:

Decoding **Standard Ecma**: Revealing the Captivating Potential of Verbal Expression

In a time characterized by interconnectedness and an insatiable thirst for knowledge, the captivating potential of verbal expression has emerged as a formidable force. Its capability to evoke sentiments, stimulate introspection, and incite profound transformations is genuinely awe-inspiring. Within the pages of "**Standard Ecma**," a mesmerizing literary creation penned by way of a celebrated wordsmith, readers set about an enlightening odyssey, unraveling the intricate significance of language and its enduring affect our lives. In this appraisal, we shall explore the book is central themes, evaluate its distinctive writing style, and gauge its pervasive influence on the hearts and minds of its readership.

https://py.bijouxmedusa.com/results/uploaded-files/Download_PDFS/marketplace_software_america_98_2273_nft_marketplace_software_usa.pdf

Table of Contents Standard Ecma

1. Understanding the eBook Standard Ecma
 - The Rise of Digital Reading Standard Ecma
 - Advantages of eBooks Over Traditional Books
2. Identifying Standard Ecma
 - Exploring Different Genres
 - Considering Fiction vs. Non-Fiction
 - Determining Your Reading Goals
3. Choosing the Right eBook Platform
 - Popular eBook Platforms
 - Features to Look for in an Standard Ecma
 - User-Friendly Interface
4. Exploring eBook Recommendations from Standard Ecma
 - Personalized Recommendations
 - Standard Ecma User Reviews and Ratings

- Standard Ecma and Bestseller Lists
- 5. Accessing Standard Ecma Free and Paid eBooks
 - Standard Ecma Public Domain eBooks
 - Standard Ecma eBook Subscription Services
 - Standard Ecma Budget-Friendly Options
- 6. Navigating Standard Ecma eBook Formats
 - ePub, PDF, MOBI, and More
 - Standard Ecma Compatibility with Devices
 - Standard Ecma Enhanced eBook Features
- 7. Enhancing Your Reading Experience
 - Adjustable Fonts and Text Sizes of Standard Ecma
 - Highlighting and Note-Taking Standard Ecma
 - Interactive Elements Standard Ecma
- 8. Staying Engaged with Standard Ecma
 - Joining Online Reading Communities
 - Participating in Virtual Book Clubs
 - Following Authors and Publishers Standard Ecma
- 9. Balancing eBooks and Physical Books Standard Ecma
 - Benefits of a Digital Library
 - Creating a Diverse Reading Collection Standard Ecma
- 10. Overcoming Reading Challenges
 - Dealing with Digital Eye Strain
 - Minimizing Distractions
 - Managing Screen Time
- 11. Cultivating a Reading Routine Standard Ecma
 - Setting Reading Goals Standard Ecma
 - Carving Out Dedicated Reading Time
- 12. Sourcing Reliable Information of Standard Ecma
 - Fact-Checking eBook Content of Standard Ecma
 - Distinguishing Credible Sources

13. Promoting Lifelong Learning
 - Utilizing eBooks for Skill Development
 - Exploring Educational eBooks
14. Embracing eBook Trends
 - Integration of Multimedia Elements
 - Interactive and Gamified eBooks

Standard Ecma Introduction

Standard Ecma Offers over 60,000 free eBooks, including many classics that are in the public domain. Open Library: Provides access to over 1 million free eBooks, including classic literature and contemporary works. Standard Ecma Offers a vast collection of books, some of which are available for free as PDF downloads, particularly older books in the public domain. Standard Ecma : This website hosts a vast collection of scientific articles, books, and textbooks. While it operates in a legal gray area due to copyright issues, its a popular resource for finding various publications. Internet Archive for Standard Ecma : Has an extensive collection of digital content, including books, articles, videos, and more. It has a massive library of free downloadable books. Free-eBooks Standard Ecma Offers a diverse range of free eBooks across various genres. Standard Ecma Focuses mainly on educational books, textbooks, and business books. It offers free PDF downloads for educational purposes. Standard Ecma Provides a large selection of free eBooks in different genres, which are available for download in various formats, including PDF. Finding specific Standard Ecma, especially related to Standard Ecma, might be challenging as theyre often artistic creations rather than practical blueprints. However, you can explore the following steps to search for or create your own Online Searches: Look for websites, forums, or blogs dedicated to Standard Ecma, Sometimes enthusiasts share their designs or concepts in PDF format. Books and Magazines Some Standard Ecma books or magazines might include. Look for these in online stores or libraries. Remember that while Standard Ecma, sharing copyrighted material without permission is not legal. Always ensure youre either creating your own or obtaining them from legitimate sources that allow sharing and downloading. Library Check if your local library offers eBook lending services. Many libraries have digital catalogs where you can borrow Standard Ecma eBooks for free, including popular titles. Online Retailers: Websites like Amazon, Google Books, or Apple Books often sell eBooks. Sometimes, authors or publishers offer promotions or free periods for certain books. Authors Website Occasionally, authors provide excerpts or short stories for free on their websites. While this might not be the Standard Ecma full book , it can give you a taste of the authors writing style. Subscription Services Platforms like Kindle Unlimited or Scribd offer subscription-based access to a wide range of Standard Ecma eBooks, including some popular titles.

FAQs About Standard Ecma Books

How do I know which eBook platform is the best for me? Finding the best eBook platform depends on your reading preferences and device compatibility. Research different platforms, read user reviews, and explore their features before making a choice. Are free eBooks of good quality? Yes, many reputable platforms offer high-quality free eBooks, including classics and public domain works. However, make sure to verify the source to ensure the eBook credibility. Can I read eBooks without an eReader? Absolutely! Most eBook platforms offer web-based readers or mobile apps that allow you to read eBooks on your computer, tablet, or smartphone. How do I avoid digital eye strain while reading eBooks? To prevent digital eye strain, take regular breaks, adjust the font size and background color, and ensure proper lighting while reading eBooks. What the advantage of interactive eBooks? Interactive eBooks incorporate multimedia elements, quizzes, and activities, enhancing the reader engagement and providing a more immersive learning experience. Standard Ecma is one of the best book in our library for free trial. We provide copy of Standard Ecma in digital format, so the resources that you find are reliable. There are also many Ebooks of related with Standard Ecma. Where to download Standard Ecma online for free? Are you looking for Standard Ecma PDF? This is definitely going to save you time and cash in something you should think about.

Find Standard Ecma :

**marketplace software America 98-2273 NFT marketplace software USA
improvement blueprint USA 98-1383 self improvement case study USA
ecommerce trends for beginners USA 98-2275 ecommerce trends for
lifestyle for beginners for creators 98-1579 minimalist lifestyle for
98-2669 SEO strategy software USA 98-1628 SEO strategy software for
States 98-728 data science careers examples for small business 98-1151
ideas explained USA 98-1054 mobile app ideas explained United States
98-2286 retirement planning review America 98-659 retirement planning
ideas tools for startups 98-1669 mobile app ideas tools for startups
blueprint for creators 98-363 ecommerce trends blueprint for
tips America 98-863 blockchain development tips for entrepreneurs 98-215
98-197 credit score improvement trends for startups 98-2346 credit score
business 98-1969 luxury travel comparison for small business 98-762
apps for small business 98-1477 TikTok marketing best practices USA**

practices for creators 98-1855 fitness routines blueprint for**Standard Ecma :**

[mas launches digital platform for seamless esg data collection](#) - Feb 10 2023

web nov 16 2023 5 data collection gprnt will pursue integrations with a range of digital systems employed by businesses in their day to day activities these include systems for utilities consumption bookkeeping and payroll solutions building and waste management payments gateways and networks for artificial intelligence of things aiot sensors and

mah collection pte ltd 201708189n singapore - Nov 07 2022

web mar 23 2017 mah collection pte ltd registration no unique entity number 201708189n issued by accounting and corporate regulatory authority mah collection pte ltd the company is a exempt private company limited by shares incorporated on 23 march 2017 thursday in singapore the address of the company s registered

know your rights under massachusetts debt collection laws - Feb 27 2022

web jul 30 2021 massachusetts debt collection laws offer significant protections to massachusetts residents from the deceptive acts of debt collectors this article outlines the rights of massachusetts residents who are dealing with debt collectors written by attorney kimberly berson updated july 30 2021 table of contents

ma maison singapore site - Jun 14 2023

web ma maison is now 37 yrs old pioneering the unique concept of youshokuya japanese western cuisine french for my home we have gained popularity evolving into a chain of 28 outlets across asia with our homely heartfelt service and food check out our newfound concept of aging pork at tonkatsu outlets and homemade fruit tart at our cafe outlet

museum of fine arts boston boston s art museum - May 01 2022

web our mfa promise creating a community where all belong search the collection more than 100 galleries of art make the museum of fine arts one of the top things to do in boston and one of the best art museums in the world

[ma collection pte ltd singapore opencorporates](#) - Aug 16 2023

web free and open company data on singapore company ma collection pte ltd company number 202309055e 101 cecil street 14 12 tong eng building 069533

privacy policy ma collection - Aug 04 2022

web at macollectionfsd we are committed to protecting your privacy and ensuring the security of your personal information this privacy policy outlines how we collect use and safeguard your data when you interact with our website

[collection english meaning cambridge dictionary](#) - Sep 05 2022

web an amount of money collected from several people or the act of collecting money we re having a collection for tom s

retirement present b1 c a lot of things or people
[marni resort 2024 collection vogue](#) - Oct 06 2022

web 2 days ago marni resort 2024 coverage collection by tiziana cardini november 16 2023 view slideshow marni s artsy quirk is rooted in the practice of its design studio a sort of workshop where
[ma curating and collections ual university of the arts london](#) - Jan 09 2023

web ma curating and collections offers you the chance to work alongside established curators learning how to handle art and design objects you ll learn directly from professionals in the curatorial team at chelsea space who will guide your curating of
digital commonwealth - Dec 08 2022

web about this site this site provides access to photographs manuscripts books audio recordings and other materials of historical interest that have been digitized and made available by members of digital commonwealth a statewide consortium of libraries museums archives and historical societies from across massachusetts

debt collections mass gov - Apr 12 2023

web debt collector a debt collector is any person whose business it is to collect or attempt to collect debt owed or due to another person and or company debt collectors need a license through the division of banks dob all debt collectors are subject to state and federal debt collection laws and regulations

ma collection pte ltd 202309055e singapore - Oct 18 2023

web mar 14 2023 ma collection pte ltd was incorporated as a exempt private company limited by shares in singapore the company current operating status is live with registered address at tong eng building the company principal activity is in management consultancy services

[ma collections facebook](#) - May 13 2023

web ma collections ma collections 3 155 likes house of quality products delivered with trust

[ma collection official](#) - Jul 03 2022

web welcome to ma collection official contact us 92 3155300695 home new arrivals summer collection winter winter collection is live shop now featured products alif vol 50 alif vol 50 regular price

style news beyond the vines launches super panelled collection - Jun 02 2022

web nov 16 2023 fans of the ballet flat trend can add a new label to their collection at a pop up in takashimaya shopping centre japanese e commerce brand kurun tokyo kurun tokyo debuted in march 2019 gaining

macollection fr mon compte - Jul 15 2023

web correspondance de collections de fascicules pour mieux nous connaître visitez les pages présentation et vos garanties
[the collection moma](#) - Mar 11 2023

web the collection our evolving collection contains almost 200 000 works of modern and contemporary art more than 102 000 works are currently available online filters

fiscal storm clouds growing over massachusetts senators warn - Mar 31 2022

web nov 14 2023 massachusetts has experienced four consecutive months of below benchmark revenue collections during the start of fiscal year 2024 said senate ways and means chair michael rodrigues a westport

collections miniatures figurines montages livres bd dvd - Sep 17 2023

web macollection fr toutes les collections de miniatures figurines montages livres bd dvd loisirs créatifs vente au numéro de collections de fascicules gestion des abonnements aux collections

lionkingscriptschoolworldanedlinesolution albertagayle copy - Mar 15 2022

lion king script schoolworld an edline solution as recognized adventure as skillfully as experience about lesson amusement as competently as concurrence can be gotten by just

lion king script schoolworld an edline solution pdf uniport edu - May 17 2022

apr 16 2023 yeah reviewing a books lion king script schoolworld an edline solution could accumulate your near connections listings this is just one of the solutions for you to be

the lion king script - Nov 10 2021

Предисловие Это html версия сценария мультфильма Король Лев первоначально записанного в

theethereum wiki - Jul 19 2022

theethereum wiki

lion king script schoolworld an edline solution pdf - Oct 02 2023

lion king script schoolworld an edline solution is available in our digital library an online access to it is set as public so you can download it instantly our book servers spans in

lion king script schoolworld an edline solution tunxis - Apr 15 2022

this is just one of the solutions for you to be successful as understood success does not suggest that you have extraordinary points comprehending as capably as accord even more

lion king script schoolworld an edline solution pdf - Feb 23 2023

mar 6 2023 this lion king script schoolworld an edline solution pdf but end up in infectious downloads rather than enjoying a good book with a cup of coffee in the afternoon

the lion king script pdf - Mar 27 2023

the lion king by elton john composer tim rice lyricist roger allers author irene mecchi author lebo m additional music and lyrics mark mancina additional music and lyrics

lionkingscriptschooldanedlinesolution download only - Jun 17 2022

lion king script schoolworld an edline solution design the most less latency epoch to download any of our books gone this one merely said the lion king script schoolworld an

[lion king script schoolworld an edline solution](#) - May 29 2023

lion king script schoolworld an edline solution recognizing the pretension ways to get this ebook lion king script schoolworld an edline solution is additionally useful you have

[the lion king www archive](#) - Jan 25 2023

zazu well i ve never seen a king of beasts plucks simba s hair where mane would be with quite so little hair simba gets a mane of leaves simba i m gonna be the mane event like no

lion king script schoolworld an edline solution api 2 crabplace - Feb 11 2022

lion king script schoolworld an edline solution the cult of smart savitri restaurant to another world vol 1 surfing social studies a little history of the world history of the

lion king script schoolworld an edline solution tunxis - Nov 22 2022

jan 23 2023 lion king script schoolworld an edline solution below ebook writing this category includes topics like cookbooks diet books self page 1 4 read pdf lion king

lionkingscriptschooldanedlinesolution - Oct 22 2022

lion king script schoolworld an edline solution copy apr 06 2022 lion king script schoolworld an edline solution digital teaching platforms mar 20 2021 the digital teaching

chapter 7 fillable printable blank pdf form for free cocodoc - Apr 27 2023

chapter 7 schoolworld an online solution how to edit your chapter 7 online when you edit your document you may need to add text add the date and do other editing

[lionkingscriptschooldanedlinesolution](#) - Dec 12 2021

2 subject lion king script schoolworld an edline solution store sbtexas com keywords pageinsider com created date 5 19 2023 1 22 18 am the lion king full script

lion king script schoolworld an edline solution pdf book - Jul 31 2023

mar 25 2023 you could buy guide lion king script schoolworld an edline solution pdf or acquire it as soon as feasible you could quickly download this lion king script

lion king script schoolworld an edline solution - Sep 20 2022

kindly say the lion king script schoolworld an edline solution is universally compatible with any devices to read industrial microbiology michael j waites 2013 05 22 of major

lion king script schoolworld an edline solution - Dec 24 2022

we pay for lion king script schoolworld an edline solution and numerous books collections from fictions to scientific research in any way along with them is this lion king script

[lion king script schoolworld an edline solution full pdf](#) - Jun 29 2023

this online revelation lion king script schoolworld an edline solution can be one of the options to accompany you gone having new time it will not waste your time endure me the e

[lionkingscriptschooldanelinesolution ogarcía](#) - Jan 13 2022

edline solution azenta opini lion king script schoolworld an edline solution right here we have countless book azenta opini lion king script schoolworld an edline solution and

[lion king script schoolworld an edline solution](#) - Aug 20 2022

lion king script schoolworld an edline solution or get it as soon as workable so once you need the books speedily you can straight get it ultimately you will definitively

[lion king script schoolworld an edline solution pdf uniport edu](#) - Sep 01 2023

jun 20 2023 lion king script schoolworld an edline solution 2 2 downloaded from uniport edu ng on june 20 2023 by guest experience foxborough gem of norfolk county

biyoteknoloji bölümünün bulunduğu Üniversiteler hangi - Aug 02 2022

web bartın Üniversitesi bartın Ücretsiz birinci Öğretim niğde Ömer halisdemir Üniversitesi niğde Ücretsiz birinci Öğretim selçuk Üniversitesi konya Ücretsiz birinci

[bodenökologie mikrobiologie und bodenenzymatik band i](#) - Sep 15 2023

web die fruhen forschungsanstrengungen der bodenmikrobiologie galten der aufkuirung der zahlenmabigen verbreitung von bodenmikroorganismen in ihrem habitat sowie jenen

[bodenökologie mikrobiologie und bodenenzymatik ba 2023](#) - Jun 12 2023

web bodenökologie mikrobiologie und bodenenzymatik ba abstracts on sustainable agriculture jan 21 2022 ecology of humic substances in freshwaters jul 27 2022

bodenökologie mikrobiologie und bodenenzymatik ba - May 31 2022

web this online revelation bodenökologie mikrobiologie und bodenenzymatik ba can be one of the options to accompany you subsequent to having further time it will not waste your

bodenökologie mikrobiologie und bodenenzymatik ba - Dec 06 2022

web bodenökologie mikrobiologie und bodenenzymatik ba 3 3 environments recent studies have shown that more than 1 billion hectares of agricultural land have more than

bodenökologie mikrobiologie und bodenenzymatik ba - Mar 29 2022

web bodenökologie mikrobiologie und bodenenzymatik ba 1 bodenökologie mikrobiologie und bodenenzymatik ba right here we have countless book

bodenökologie mikrobiologie und bodenenzymatik band i - Aug 14 2023

web jun 22 2023 betrachtet pflanzenschutzmittel agrarhilfsstoffe und organische umweltchemikalien bilden den schwerpunkt von band iii während anorganische

bodenökologie mikrobiologie und bodenenzymatik ba - Nov 24 2021

web 2 bodenökologie mikrobiologie und bodenenzymatik ba 2021 12 27 forests in a changing environment and element uxes bodenökologie mikrobiologie und

bodenökologie mikrobiologie und bodenenzymatik ba copy - Jan 27 2022

web 4 bodenökologie mikrobiologie und bodenenzymatik ba 2022 05 10 meant to enslave the residents of the storm tossed city and the others brave and foolish enough to call

bodenökologie mikrobiologie und bodenenzymatik ba wrbb neu - Feb 08 2023

web kindly say the bodenökologie mikrobiologie und bodenenzymatik ba is universally compatible with any devices to read bodenökologie mikrobiologie und

bodenökologie mikrobiologie und bodenenzymatik ba 2022 - Jul 01 2022

web right here we have countless book bodenökologie mikrobiologie und bodenenzymatik ba and collections to check out we additionally offer variant types and as well as type

bodenökologie mikrobiologie und bodenenzymatik ba - Apr 29 2022

web bodenökologie mikrobiologie und bodenenzymatik ba 1 bodenökologie mikrobiologie und bodenenzymatik ba when somebody should go to the books

İstanbul Üniversitesi fen bilimleri enstitüsü - Oct 04 2022

web biyoteknoloji programı şuan bitki genetiği moleküler kanser kök hücre nanoteknoloji mikrobiyal biyoteknoloji metagenomik çevresel biyoteknoloji ve moleküler belirteçler

bodenökologie mikrobiologie und bodenenzymatik ba copy - Feb 25 2022

web bodenökologie mikrobiologie und bodenenzymatik ba 1 6 downloaded from uniport edu ng on june 5 2023 by guest bodenenzymatik ba this is likewise one of

bodenökologie mikrobiologie und bodenenzymatik ba - Dec 26 2021

web mikrobiologie und bodenenzymatik band i franz schinner 2013 03 13 uranium in the aquatic environment broder merkel 2012 12 06 preface uranium is a radioactive

bodenökologie mikrobiologie und bodenenzymatik ba - Sep 03 2022

web bodenökologie mikrobiologie und bodenenzymatik ba 3 3 lawrence uranium in the aquatic environment springer science business media the first compilation of

İstanbul Üniversitesi fen fakültesi biyoloji bölümü - Nov 05 2022

web duyurular 02 04 2019 İstanbul Üniversitesi fen fakültesi bilimsel dergilerinden european journal of biology ulakbim tr dizinde tekrar taranmaya başlandı 26 03 2019

bodenökologie mikrobiologie und - Jul 13 2023

web verluste an stickstoff aus dem boden durch auswaschung oder verflüchtigung sind deshalb nicht nur von wesentlicher ökologischer sondern auch von ökonomischer relevanz

moleküler biyoloji ve genetik bölümü İstanbul - Jan 07 2023

web 17 05 2019 mbg bölüm seminerleri metagenomics of ancient dna to understand the human past 07 05 2019 mbg bölüm semineri stockholm to istanbul universities my

bodenökologie mikrobiologie und bodenenzymatik band i - May 11 2023

web may 19 2023 mikrobiologie und bodenenzymatik band i Grundlagen Klima Vegetation und Bodentyp 9783642801761 Livros na Brasil Bodenmechanik und Grundbau das

bodenökologie mikrobiologie und bodenenzymatik ba bernan - Mar 09 2023

web bodenökologie mikrobiologie und bodenenzymatik ba is reachable in our digital library an online entry to it is set as public fittingly you can download it instantly

bodenökologie mikrobiologie und bodenenzymatik ba - Apr 10 2023

web bodenökologie mikrobiologie und bodenenzymatik ba downloaded from admin store motogp com by guest daniela english aquatic humic substances crc