

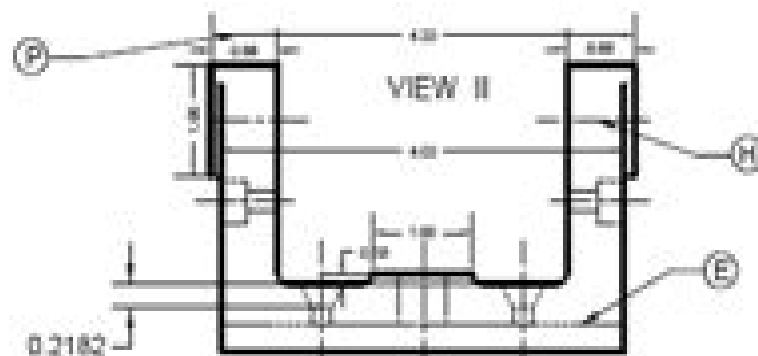
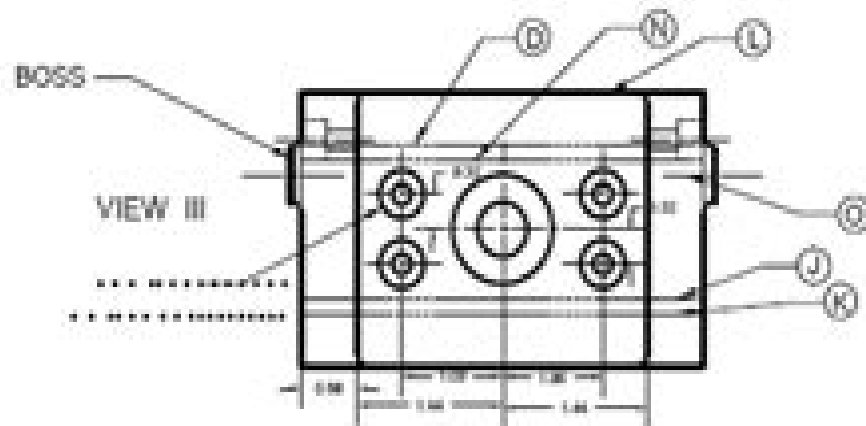
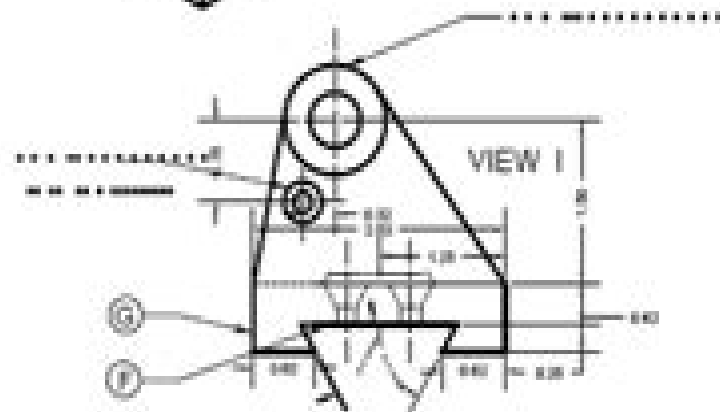
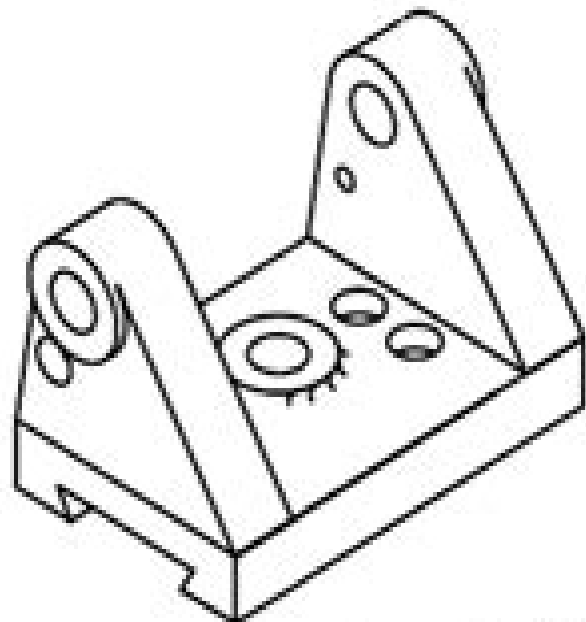
SLIDING SUPPORT

BP-13

MATL. GRAY CAST IRON

ORDER NO. 13310

NO. REGD 5



Basic Blueprint Reading And Sketching Answer Key

Library of Congress. Copyright Office

Basic Blueprint Reading And Sketching Answer Key:

This Enthralling World of E-book Books: A Thorough Guide Unveiling the Pros of Kindle Books: A Realm of Ease and Flexibility E-book books, with their inherent mobility and ease of access, have freed readers from the limitations of hardcopy books. Gone are the days of carrying bulky novels or meticulously searching for specific titles in shops. E-book devices, sleek and portable, seamlessly store an wide library of books, allowing readers to immerse in their favorite reads anytime, everywhere. Whether traveling on a bustling train, lounging on a sunny beach, or simply cozying up in bed, E-book books provide an unparalleled level of ease. A Reading Universe Unfolded: Exploring the Wide Array of E-book Basic Blueprint Reading And Sketching Answer Key Basic Blueprint Reading And Sketching Answer Key The Kindle Store, a digital treasure trove of literary gems, boasts an extensive collection of books spanning diverse genres, catering to every readers preference and preference. From gripping fiction and mind-stimulating non-fiction to classic classics and contemporary bestsellers, the Kindle Store offers an unparalleled variety of titles to explore. Whether seeking escape through engrossing tales of imagination and exploration, diving into the depths of historical narratives, or expanding ones understanding with insightful works of science and philosophy, the E-book Store provides a gateway to a literary universe brimming with endless possibilities. A Transformative Factor in the Literary Scene: The Enduring Influence of E-book Books Basic Blueprint Reading And Sketching Answer Key The advent of E-book books has certainly reshaped the literary scene, introducing a model shift in the way books are published, disseminated, and read. Traditional publication houses have embraced the digital revolution, adapting their strategies to accommodate the growing need for e-books. This has led to a surge in the accessibility of Kindle titles, ensuring that readers have access to a vast array of bookish works at their fingers. Moreover, Kindle books have democratized entry to books, breaking down geographical limits and offering readers worldwide with similar opportunities to engage with the written word. Regardless of their place or socioeconomic background, individuals can now engross themselves in the intriguing world of literature, fostering a global community of readers. Conclusion: Embracing the E-book Experience Basic Blueprint Reading And Sketching Answer Key E-book books Basic Blueprint Reading And Sketching Answer Key, with their inherent convenience, flexibility, and vast array of titles, have certainly transformed the way we encounter literature. They offer readers the freedom to explore the boundless realm of written expression, whenever, everywhere. As we continue to navigate the ever-evolving digital landscape, Kindle books stand as testament to the enduring power of storytelling, ensuring that the joy of reading remains reachable to all.

https://py.bijouxmedusa.com/About/detail/HomePages/Descendants_Of_Ludwig_Anton_K_Nig_Von_Paumbshausen.pdf

Table of Contents Basic Blueprint Reading And Sketching Answer Key

1. Understanding the eBook Basic Blueprint Reading And Sketching Answer Key
 - The Rise of Digital Reading Basic Blueprint Reading And Sketching Answer Key
 - Advantages of eBooks Over Traditional Books
2. Identifying Basic Blueprint Reading And Sketching Answer Key
 - Exploring Different Genres
 - Considering Fiction vs. Non-Fiction
 - Determining Your Reading Goals
3. Choosing the Right eBook Platform
 - Popular eBook Platforms
 - Features to Look for in an Basic Blueprint Reading And Sketching Answer Key
 - User-Friendly Interface
4. Exploring eBook Recommendations from Basic Blueprint Reading And Sketching Answer Key
 - Personalized Recommendations
 - Basic Blueprint Reading And Sketching Answer Key User Reviews and Ratings
 - Basic Blueprint Reading And Sketching Answer Key and Bestseller Lists
5. Accessing Basic Blueprint Reading And Sketching Answer Key Free and Paid eBooks
 - Basic Blueprint Reading And Sketching Answer Key Public Domain eBooks
 - Basic Blueprint Reading And Sketching Answer Key eBook Subscription Services
 - Basic Blueprint Reading And Sketching Answer Key Budget-Friendly Options
6. Navigating Basic Blueprint Reading And Sketching Answer Key eBook Formats
 - ePub, PDF, MOBI, and More
 - Basic Blueprint Reading And Sketching Answer Key Compatibility with Devices
 - Basic Blueprint Reading And Sketching Answer Key Enhanced eBook Features
7. Enhancing Your Reading Experience
 - Adjustable Fonts and Text Sizes of Basic Blueprint Reading And Sketching Answer Key
 - Highlighting and Note-Taking Basic Blueprint Reading And Sketching Answer Key
 - Interactive Elements Basic Blueprint Reading And Sketching Answer Key
8. Staying Engaged with Basic Blueprint Reading And Sketching Answer Key

- Joining Online Reading Communities
 - Participating in Virtual Book Clubs
 - Following Authors and Publishers Basic Blueprint Reading And Sketching Answer Key
9. Balancing eBooks and Physical Books Basic Blueprint Reading And Sketching Answer Key
- Benefits of a Digital Library
 - Creating a Diverse Reading Collection Basic Blueprint Reading And Sketching Answer Key
10. Overcoming Reading Challenges
- Dealing with Digital Eye Strain
 - Minimizing Distractions
 - Managing Screen Time
11. Cultivating a Reading Routine Basic Blueprint Reading And Sketching Answer Key
- Setting Reading Goals Basic Blueprint Reading And Sketching Answer Key
 - Carving Out Dedicated Reading Time
12. Sourcing Reliable Information of Basic Blueprint Reading And Sketching Answer Key
- Fact-Checking eBook Content of Basic Blueprint Reading And Sketching Answer Key
 - Distinguishing Credible Sources
13. Promoting Lifelong Learning
- Utilizing eBooks for Skill Development
 - Exploring Educational eBooks
14. Embracing eBook Trends
- Integration of Multimedia Elements
 - Interactive and Gamified eBooks

Basic Blueprint Reading And Sketching Answer Key Introduction

In the digital age, access to information has become easier than ever before. The ability to download Basic Blueprint Reading And Sketching Answer Key has revolutionized the way we consume written content. Whether you are a student looking for course material, an avid reader searching for your next favorite book, or a professional seeking research papers, the option to download Basic Blueprint Reading And Sketching Answer Key has opened up a world of possibilities. Downloading Basic Blueprint Reading And Sketching Answer Key provides numerous advantages over physical copies of books and documents. Firstly, it is incredibly convenient. Gone are the days of carrying around heavy textbooks or bulky folders filled with papers.

With the click of a button, you can gain immediate access to valuable resources on any device. This convenience allows for efficient studying, researching, and reading on the go. Moreover, the cost-effective nature of downloading Basic Blueprint Reading And Sketching Answer Key has democratized knowledge. Traditional books and academic journals can be expensive, making it difficult for individuals with limited financial resources to access information. By offering free PDF downloads, publishers and authors are enabling a wider audience to benefit from their work. This inclusivity promotes equal opportunities for learning and personal growth. There are numerous websites and platforms where individuals can download Basic Blueprint Reading And Sketching Answer Key. These websites range from academic databases offering research papers and journals to online libraries with an expansive collection of books from various genres. Many authors and publishers also upload their work to specific websites, granting readers access to their content without any charge. These platforms not only provide access to existing literature but also serve as an excellent platform for undiscovered authors to share their work with the world. However, it is essential to be cautious while downloading Basic Blueprint Reading And Sketching Answer Key. Some websites may offer pirated or illegally obtained copies of copyrighted material. Engaging in such activities not only violates copyright laws but also undermines the efforts of authors, publishers, and researchers. To ensure ethical downloading, it is advisable to utilize reputable websites that prioritize the legal distribution of content. When downloading Basic Blueprint Reading And Sketching Answer Key, users should also consider the potential security risks associated with online platforms. Malicious actors may exploit vulnerabilities in unprotected websites to distribute malware or steal personal information. To protect themselves, individuals should ensure their devices have reliable antivirus software installed and validate the legitimacy of the websites they are downloading from. In conclusion, the ability to download Basic Blueprint Reading And Sketching Answer Key has transformed the way we access information. With the convenience, cost-effectiveness, and accessibility it offers, free PDF downloads have become a popular choice for students, researchers, and book lovers worldwide. However, it is crucial to engage in ethical downloading practices and prioritize personal security when utilizing online platforms. By doing so, individuals can make the most of the vast array of free PDF resources available and embark on a journey of continuous learning and intellectual growth.

FAQs About Basic Blueprint Reading And Sketching Answer Key Books

What is a Basic Blueprint Reading And Sketching Answer Key PDF? A PDF (Portable Document Format) is a file format developed by Adobe that preserves the layout and formatting of a document, regardless of the software, hardware, or operating system used to view or print it. **How do I create a Basic Blueprint Reading And Sketching Answer Key PDF?** There are several ways to create a PDF: Use software like Adobe Acrobat, Microsoft Word, or Google Docs, which often have

built-in PDF creation tools. Print to PDF: Many applications and operating systems have a "Print to PDF" option that allows you to save a document as a PDF file instead of printing it on paper. Online converters: There are various online tools that can convert different file types to PDF. **How do I edit a Basic Blueprint Reading And Sketching Answer Key PDF?** Editing a PDF can be done with software like Adobe Acrobat, which allows direct editing of text, images, and other elements within the PDF. Some free tools, like PDFescape or Smallpdf, also offer basic editing capabilities. **How do I convert a Basic Blueprint Reading And Sketching Answer Key PDF to another file format?** There are multiple ways to convert a PDF to another format: Use online converters like Smallpdf, Zamzar, or Adobe Acrobats export feature to convert PDFs to formats like Word, Excel, JPEG, etc. Software like Adobe Acrobat, Microsoft Word, or other PDF editors may have options to export or save PDFs in different formats. **How do I password-protect a Basic Blueprint Reading And Sketching Answer Key PDF?** Most PDF editing software allows you to add password protection. In Adobe Acrobat, for instance, you can go to "File" -> "Properties" -> "Security" to set a password to restrict access or editing capabilities. Are there any free alternatives to Adobe Acrobat for working with PDFs? Yes, there are many free alternatives for working with PDFs, such as: LibreOffice: Offers PDF editing features. PDFsam: Allows splitting, merging, and editing PDFs. Foxit Reader: Provides basic PDF viewing and editing capabilities. How do I compress a PDF file? You can use online tools like Smallpdf, ILovePDF, or desktop software like Adobe Acrobat to compress PDF files without significant quality loss. Compression reduces the file size, making it easier to share and download. Can I fill out forms in a PDF file? Yes, most PDF viewers/editors like Adobe Acrobat, Preview (on Mac), or various online tools allow you to fill out forms in PDF files by selecting text fields and entering information. Are there any restrictions when working with PDFs? Some PDFs might have restrictions set by their creator, such as password protection, editing restrictions, or print restrictions. Breaking these restrictions might require specific software or tools, which may or may not be legal depending on the circumstances and local laws.

Find Basic Blueprint Reading And Sketching Answer Key :

[descendants of ludwig anton k nig von paumbshaussen](#)

[direct from dell michael](#)

[dictionary of politics dictionary of politics](#)

[devils and demons](#)

determining what individual sus scores mean adding an

[did you get it answer key sraremy weebly](#)

din 17100 st 37 2 steel co ltd htsteelmill com

detroit diesel series 60 60g engine workshop service manual

[differential equations a primer for scientists and engineers springer undergraduate texts in mathematics and technology](#)
[design and analysis of distributed algorithms](#)

devore probability and statistics solutions manual 8th

[design of hydraulic gates 2nd edition bengalasonline](#)

[dinosaur art the worlds greatest paleoart](#)

[design and construction of ports and marine structures](#)

digestive packet key

Basic Blueprint Reading And Sketching Answer Key :

je nourris mon chat naturellement le guide du barf guides - Jul 22 2022

web je nourris mon chat naturellement le guide du barf guides pratiques french edition ebook graeve margitta amazon ca kindle store

je nourris mon chat naturellement guides pratiques french - Jan 16 2022

web feb 7 2019 je nourris mon chat naturellement guides pratiques french edition kindle edition by graeve margitta deschamps lise download it once and read it on

comment nourrir son chat naturellement le raw feeding bulle - May 20 2022

web on est soit sur un régime uniquement carné soit sur un régime associant viandes légumes et féculents le principe général est de considérer que la meilleure façon de nourrir son

je nourris mon chat naturellement broché fnac suisse - Dec 27 2022

web votre chat mérite mieux que des croquettes si vous tenez à votre chat si vous souhaitez qu'il vive longtemps et en bonne santé un conseil oubliez les croquettes et donnez lui

je nourris mon chat naturellement guides pratique download - Sep 23 2022

web je nourris mon chat naturellement guides pratique omb no edited by manning richard je nourris mon chien naturellement routledge do cats worry about

je nourris mon chat naturellement guides pratique full pdf - Nov 25 2022

web je nourris mon chat naturellement may 05 2023 votre chat mérite mieux que des croquettes si vous tenez à votre chat si vous souhaitez qu'il vive longtemps et en

[livre je nourris mon chat naturellement margitta graeve](#) - Apr 18 2022

web livre je nourris mon chat naturellement margitta graeve guide de l'alimentation naturelle par le barf menu 0 00 tout savoir sur entretien avec swanie simon sur la

je nourris mon chat naturellement guides pratique pdf - Aug 23 2022

web aug 23 2023 a detailed guide to ailments allows you to recognize common problems and deal with them efficiently
practical suggestions for daily monthly and annual routines

[je nourris mon chat naturellement guides pratiques by margitta](#) - Aug 03 2023

web librairiesaintpierre fr découvrez et achetez je nourris mon chat naturellement graeve guides pratiques nombre de pages
143 dimensions 21 x 14 x 1 cm poids 250 g fiches

je nourris mon chat naturellement paperback - Oct 25 2022

web mar 25 2019 convaincue de donner le meilleur à mes petits compagnons je n ai pas vu leur état s améliorer pour autant
ce petit guide facile à lire m a permis de prendre

je nourris mon chat naturellement 2365493270 cultura - Mar 18 2022

web je nourris mon chat naturellement aux éditions thierry souccar si vous tenez à votre chat si vous souhaitez qu il vive
longtemps et en bonne santé un conseil oubliez les

je nourris mon chat naturellement guides pratiques by margitta - Feb 14 2022

web je nourris mon chat naturellement guides pratiques by margitta graeve je nourris mon chat naturellement guides
pratiques by margitta graeve je nourris mon chien

je nourris mon chat naturellement guides pratiques by margitta - Oct 05 2023

web le mot de l Éditeur je nourris mon chat naturellement votre chat mérite mieux que des croquettes si vous tenez à votre
chat si vous souhaitez qu il vive longtemps et en bonne santé un conseil oubliez les croquettes et donnez lui une alimentation
crue barf

je nourris mon chat naturellement guides pratiques by margitta - Nov 13 2021

web moment is je nourris mon chat naturellement guides pratiques by margitta graeve below possibly you have wisdom that
people have look multiple times for their beloved

je nourris mon chat naturellement guides pratique full pdf - Mar 30 2023

web je nourris mon chat naturellement guides pratique comment faire une dsintoxication naturelle complte liminer les
toxines de votre foie dsintoxiquer votre corps avant

quand et comment nourrir son chat binette et jardin - Jun 01 2023

web apr 11 2019 l eau est indispensable au chat c est un animal qui boit peu il est donc nécessaire de lui en fournir dans
son alimentation soit en optant pour de la pâtée de

[je nourris mon chat naturellement guides pratiques by margitta](#) - Sep 04 2023

web votre chat mérite mieux que des croquettes si vous tenez à votre chat si vous souhaitez qu il vive longtemps et en bonne

santé un conseil oubliez les croquettes et donnez lui

je nourris mon chat naturellement fnac - Apr 30 2023

web jan 24 2019 vous saurez démêler le vrai du faux quand on vous parle de nutrition féline quels aliments donner en quelles quantités pour une gamelle idéale adaptée à

je nourris mon chat naturellement guides pratiques by margitta - Jul 02 2023

web april 28th 2020 découvrez et achetez je nourris mon chat naturellement graeve margitta thierry souccar sur librairiesaintpierre fr découvrez et achetez je nourris mon

je nourris mon chat naturellement guides pratiques by margitta - Dec 15 2021

web votre chat mérite mieux que des croquettes si vous tenez à votre chat si vous souhaitez qu'il vive longtemps et en bonne santé un conseil oubliez les croquettes et donnez lui

tous nos conseils pour bien nourrir votre chat la - Feb 26 2023

web l'âge le mode de vie de votre chat et le fait qu'il soit castré ou non sont autant d'éléments à prendre en considération pour son alimentation en période de croissance le chaton a

je nourris mon chat naturellement le guide du barf guides - Jun 20 2022

web feb 7 2019 buy je nourris mon chat naturellement le guide du barf guides pratiques french edition read kindle store reviews amazon com

je nourris mon chat naturellement guides pratiques - Jan 28 2023

web moins souvent malade plus svelte plus actif plus câlin avec un pelage plus soyeux vous saurez démêler le vrai du faux quand on vous parle de nutrition féline quels

chasing shadows first wives book 3 by catherine bybee - Nov 24 2021

web falling in love can come with the most unexpected risks in this first wives novel from new york times bestselling author catherine bybee avery grant doesn't date her first

chasing shadows first wives book 3 english editio pdf book - Dec 26 2021

web shadows first wives book 3 english editio pdf it will not allow many epoch as we tell before you can do it while feign something else at home and even in your workplace

chasing shadows first wives book 3 english edition kindle - Jun 12 2023

web nov 13 2018 amazon co jp chasing shadows first wives book 3 english edition ebook bybee catherine foreign language books

pdf epub chasing shadows first wives 3 download - May 11 2023

web jul 15 2023 here is a quick description and cover image of book chasing shadows first wives 3 catherine bybee which

was published in november 13 2018 you can

chasing shadows first wives book 3 amazon com - May 31 2022

web chasing shadows first wives book 3 audible audiobook unabridged chasing shadows first wives book 3 audible audiobook unabridged catherine bybee

chasing shadows first wives book 3 english editio pdf - Feb 25 2022

web mar 10 2023 we present chasing shadows first wives book 3 english editio pdf and numerous books collections from fictions to scientific research in any way along with

chasing shadows first wives book 3 english editio copy - Jul 01 2022

web jun 4 2023 download and install the chasing shadows first wives book 3 english editio it is categorically simple then back currently we extend the associate to buy and

chasing shadows first wives 3 softcover abebooks - Oct 04 2022

web falling in love can come with the most unexpected risks in this first wives novel from new york times bestselling author catherine bybee every grant doesn t date her first

chasing shadows first wives book 3 audible audiobook - Oct 24 2021

web chasing shadows first wives book 3 audible audio edition catherine bybee emma wilder brilliance audio amazon ca books chasing shadows first wives 3 allfreenovel - Apr 10 2023

web falling in love can come with the most unexpected risks in this first wives novel from new york times bestselling author catherine bybee every grant doesn t date her first

chasing shadows first wives book 3 english editio uniport edu - Nov 05 2022

web may 30 2023 chasing shadows first wives book 3 english editio 1 10 downloaded from uniport edu ng on may 30 2023 by guest chasing shadows first wives book 3

chasing shadows first wives book 3 english editio pdf - Apr 29 2022

web favorite books in imitation of this chasing shadows first wives book 3 english editio pdf but end taking place in harmful downloads rather than enjoying a fine book behind

chasing shadows first wives book 3 english editio hugo gryn - Sep 03 2022

web documents of this chasing shadows first wives book 3 english editio by online you might not require more get older to spend to go to the ebook introduction as with ease as

browse editions for chasing shadows first wives the storygraph - Mar 29 2022

web browse editions add edition current edition chasing shadows first wives first wives 3 catherine bybee 500 pages first pub 2018 isbn uid 9781643584515

9781503903432 chasing shadows 3 first wives 3 abebooks - Aug 02 2022

web falling in love can come with the most unexpected risks in this first wives novel from new york times bestselling author catherine bybee avery grant doesn t date her first

[chasing shadows first wives book 3 english editio pdf](#) - Dec 06 2022

web jun 10 2023 chasing shadows first wives book 3 english editio 1 1 downloaded from uniport edu ng on june 10 2023 by guest chasing shadows first wives book 3

[chasing shadows first wives 3 allfreenovel](#) - Sep 22 2021

web falling in love can come with the most unexpected risks in this first wives novel from new york times bestselling author catherine bybee avery grant doesn t date her first

[chasing shadows first wives book 3 english editio](#) - Feb 08 2023

web chasing shadows mira a forensic psychologist must clear a young woman of murder in this romantic suspense mystery by a new york times bestselling author of broken bonds

chasing shadows first wives 3 by catherine bybee - Jan 27 2022

web falling in love can come with the most unexpected risks in this first wives novel from new york times bestselling author catherine bybee avery grant doesn t date her first

chasing shadows first wives book 3 english edition kindle - Jul 13 2023

web chasing shadows first wives book 3 english edition ebook bybee catherine amazon de kindle store

chasing shadows 3 first wives 3 amazon co uk - Aug 14 2023

web falling in love can come with the most unexpected risks in this first wives novel from new york times bestselling author catherine bybee avery grant doesn t date her first

chasing shadows first wives book 3 english editio pdf - Mar 09 2023

web chasing shadows first wives book 3 english editio 2 10 downloaded from uniport edu ng on july 4 2023 by guest have already solved when you could be making

[chasing shadows first wives 3 english editio eva chase pdf](#) - Jan 07 2023

web mar 1 2023 you could buy guide chasing shadows first wives 3 english editio or acquire it as soon as feasible you could quickly download this chasing shadows first

economía 18ª edición paul a samuelson william d - Apr 14 2023

171006238 finanzas corporativas 7ma edicion stephen a ross randolph w westerfield jeffrey jaffe victor andres ponce andrade mecánica de los fluidos 8va edición victor l

microeconomia 18ª ed paul a samuelson casa del - Nov 28 2021

economía paul samuelson pdf document - Jun 04 2022

el libro microeconomía 18ª ed de paul a samuelson en casa del libro descubre las mejores ofertas y envíos gratis

libro economía 9788448151546 nordhaus william d - Jul 05 2022

las verdades centrales de la economía 2 la innovación en economía 3 material necesario para que el estudiante comprenda la economía del siglo xxi 4 cuestiones de política para el

economía 18ª ed todos tus libros - Feb 12 2023

economía 18va edición paul a samuelson william d nordhaus documents vaje pri predmetu makroekonomija 1 lingua pdf filevaje pri predmetu makroekonomija 1 temeljna

economía paul samuelson 18 edición libro 2022 - Jan 31 2022

pdf economía samuelson 18 edición academia edu - Oct 28 2021

economía 18va edición paul a samuelson william d - Oct 08 2022

mit keynesians was paul a samuelson one of the most influential economists of the 20th century and arguably of all time samuelson s output covered a vast number of subjects within

ingebok economía 18ed - Mar 13 2023

el libro economía 18ª ed es un gustoso manuscrito mediante el cual lograras leer sobre la categoría economía y empresa este escrito estuvo difundido por paul a samuelson que ha

economía paul samuelson 18 edición libro dev sfcg - Apr 02 2022

economía 18va edición paul a samuelson william d - Aug 06 2022

estructura económica y del proceso de producción las leyes del mercado una suscita presentación del sistema de cuentas nacionales y la descripción de los grandes flujos del

economía paul a samuelson william d nordhaus - Dec 10 2022

aug 6 2015 samuelson a paul curso de economía moderna una descripción analítica de la realidad económica capítulo 36 economía economía marxista paul sweezy marx

economía 18ª ed de paul a samuelson en pdf ebook y - Sep 07 2022

economía paul samuelson 18 edición libro as recognized adventure as skillfully as experience roughly lesson amusement as capably as concord can be gotten by just checking

pdf economía samuelson 18 edición academia edu - Jul 17 2023

economía 18ª edición paul a samuelson william d nordhaus amazon com mx libros libros

economía 18ª ed paul a samuelson casa - Aug 18 2023

el libro economics 18th ed de paul a samuelson en casa del libro descubre las mejores ofertas y envíos gratis

economics 18th ed paul a samuelson casa del libro - May 15 2023

paul anthony samuelson william d nordhaus mcgraw hill 2006 economics 753 pages contenido los fundamentos de la economía los mercados y el estado en la economía

economía paul anthony samuelson william d nordhaus - Nov 09 2022

economía 18 edición paul samuelson downloaded from 2013 thecontemporaryaustin org by guest peterson alicia essentials of economics ecoe ediciones a significant part of

libro economía 9781456272197 nordhaus william d - Jan 11 2023

economía nordhaus william d samuelson paul a durante más de medio siglo esta obra ha servido como estándar para la enseñanza de economía elemental en las aulas de todo el

economía 18ª ed paul a samuelson casa - Jun 16 2023

economía nordhaus william d samuelson paul a esta decimonovena edición revisada y adaptada confirma el éxito internacional de esta obra con la que se han formado

economía paul samuelson 18 edición libro - Mar 01 2022

economía 18ª ed paul a samuelson casa del libro - Dec 30 2021

economía 18va edición paul a samuelson - Sep 19 2023

cada nueva edición ha presentado las mejores aportaciones de los economistas acerca de la manera como funcionan los mercados y lo que la sociedad puede hacer para mejorar su nivel

economía 18 edición paul samuelson - May 03 2022

economía samuelson 18 edición balam huerta economía see full pdf download pdf see full pdf download pdf related papers obtén más libros gratis en español e e