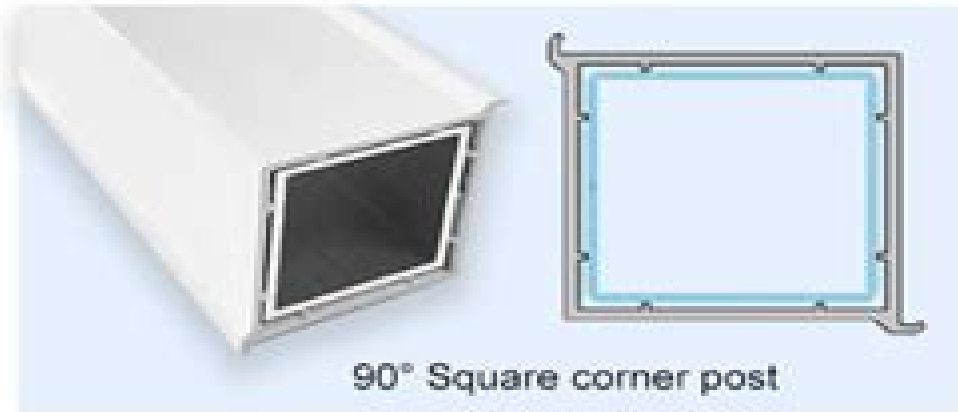
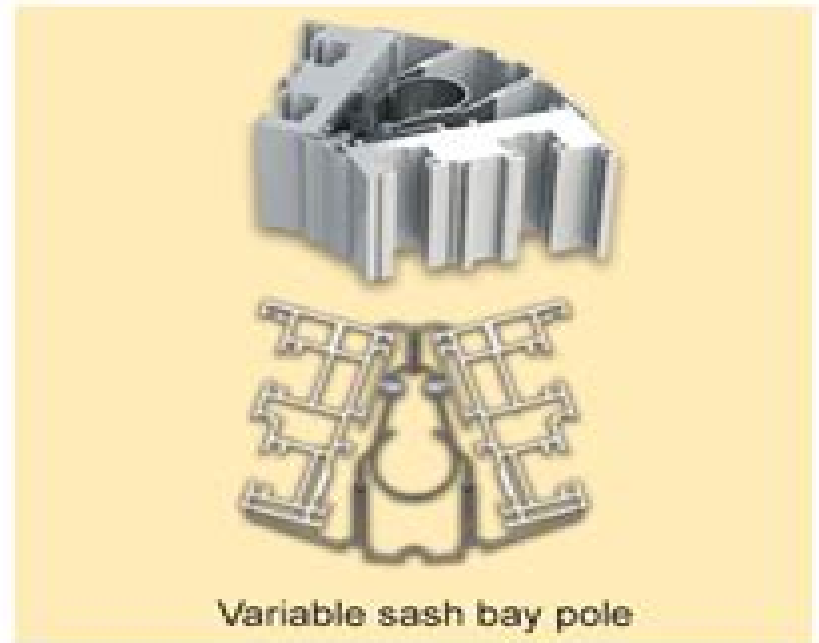


Standard, flush and tilt & turn bay poles



Sash bay poles



Bay Poles For Load Bearing Windows

DJ Losen



Bay Poles For Load Bearing Windows:

The Captivating Realm of Kindle Books: A Comprehensive Guide Revealing the Benefits of Kindle Books: A Realm of Ease and Flexibility E-book books, with their inherent portability and ease of availability, have liberated readers from the limitations of physical books. Gone are the days of carrying cumbersome novels or meticulously searching for specific titles in bookstores. Kindle devices, sleek and portable, seamlessly store an extensive library of books, allowing readers to immerse in their preferred reads whenever, everywhere. Whether traveling on a busy train, relaxing on a sun-kissed beach, or simply cozying up in bed, Kindle books provide an unparalleled level of convenience. A Reading World Unfolded: Exploring the Wide Array of E-book Bay Poles For Load Bearing Windows Bay Poles For Load Bearing Windows The Kindle Shop, a digital treasure trove of bookish gems, boasts an wide collection of books spanning varied genres, catering to every readers preference and preference. From gripping fiction and mind-stimulating non-fiction to classic classics and contemporary bestsellers, the Kindle Store offers an exceptional abundance of titles to discover. Whether seeking escape through engrossing tales of imagination and adventure, diving into the depths of historical narratives, or broadening ones knowledge with insightful works of scientific and philosophical, the E-book Shop provides a doorway to a bookish world brimming with endless possibilities. A Transformative Factor in the Literary Landscape: The Lasting Influence of E-book Books Bay Poles For Load Bearing Windows The advent of Kindle books has unquestionably reshaped the bookish scene, introducing a paradigm shift in the way books are published, distributed, and consumed. Traditional publication houses have embraced the digital revolution, adapting their approaches to accommodate the growing demand for e-books. This has led to a rise in the accessibility of E-book titles, ensuring that readers have entry to a wide array of literary works at their fingertips. Moreover, E-book books have democratized access to books, breaking down geographical barriers and providing readers worldwide with equal opportunities to engage with the written word. Regardless of their location or socioeconomic background, individuals can now immerse themselves in the captivating world of books, fostering a global community of readers. Conclusion: Embracing the Kindle Experience Bay Poles For Load Bearing Windows Kindle books Bay Poles For Load Bearing Windows, with their inherent ease, flexibility, and wide array of titles, have certainly transformed the way we encounter literature. They offer readers the liberty to discover the boundless realm of written expression, anytime, anywhere. As we continue to navigate the ever-evolving digital landscape, Kindle books stand as testament to the lasting power of storytelling, ensuring that the joy of reading remains accessible to all.

<https://py.bijouxmedusa.com/About/detail/index.jsp/4%202144%20Dropshipping%20Business%20Examples%20USA%2024%20753%20Dropshipping%20Business.pdf>

Table of Contents Bay Poles For Load Bearing Windows

1. Understanding the eBook Bay Poles For Load Bearing Windows
 - The Rise of Digital Reading Bay Poles For Load Bearing Windows
 - Advantages of eBooks Over Traditional Books
2. Identifying Bay Poles For Load Bearing Windows
 - Exploring Different Genres
 - Considering Fiction vs. Non-Fiction
 - Determining Your Reading Goals
3. Choosing the Right eBook Platform
 - Popular eBook Platforms
 - Features to Look for in an Bay Poles For Load Bearing Windows
 - User-Friendly Interface
4. Exploring eBook Recommendations from Bay Poles For Load Bearing Windows
 - Personalized Recommendations
 - Bay Poles For Load Bearing Windows User Reviews and Ratings
 - Bay Poles For Load Bearing Windows and Bestseller Lists
5. Accessing Bay Poles For Load Bearing Windows Free and Paid eBooks
 - Bay Poles For Load Bearing Windows Public Domain eBooks
 - Bay Poles For Load Bearing Windows eBook Subscription Services
 - Bay Poles For Load Bearing Windows Budget-Friendly Options
6. Navigating Bay Poles For Load Bearing Windows eBook Formats
 - ePub, PDF, MOBI, and More
 - Bay Poles For Load Bearing Windows Compatibility with Devices
 - Bay Poles For Load Bearing Windows Enhanced eBook Features
7. Enhancing Your Reading Experience
 - Adjustable Fonts and Text Sizes of Bay Poles For Load Bearing Windows
 - Highlighting and Note-Taking Bay Poles For Load Bearing Windows
 - Interactive Elements Bay Poles For Load Bearing Windows

8. Staying Engaged with Bay Poles For Load Bearing Windows
 - Joining Online Reading Communities
 - Participating in Virtual Book Clubs
 - Following Authors and Publishers Bay Poles For Load Bearing Windows
9. Balancing eBooks and Physical Books Bay Poles For Load Bearing Windows
 - Benefits of a Digital Library
 - Creating a Diverse Reading Collection Bay Poles For Load Bearing Windows
10. Overcoming Reading Challenges
 - Dealing with Digital Eye Strain
 - Minimizing Distractions
 - Managing Screen Time
11. Cultivating a Reading Routine Bay Poles For Load Bearing Windows
 - Setting Reading Goals Bay Poles For Load Bearing Windows
 - Carving Out Dedicated Reading Time
12. Sourcing Reliable Information of Bay Poles For Load Bearing Windows
 - Fact-Checking eBook Content of Bay Poles For Load Bearing Windows
 - Distinguishing Credible Sources
13. Promoting Lifelong Learning
 - Utilizing eBooks for Skill Development
 - Exploring Educational eBooks
14. Embracing eBook Trends
 - Integration of Multimedia Elements
 - Interactive and Gamified eBooks

Bay Poles For Load Bearing Windows Introduction

Free PDF Books and Manuals for Download: Unlocking Knowledge at Your Fingertips In today's fast-paced digital age, obtaining valuable knowledge has become easier than ever. Thanks to the internet, a vast array of books and manuals are now available for free download in PDF format. Whether you are a student, professional, or simply an avid reader, this treasure trove of downloadable resources offers a wealth of information, conveniently accessible anytime, anywhere. The advent of online libraries and platforms dedicated to sharing knowledge has revolutionized the way we consume information.

No longer confined to physical libraries or bookstores, readers can now access an extensive collection of digital books and manuals with just a few clicks. These resources, available in PDF, Microsoft Word, and PowerPoint formats, cater to a wide range of interests, including literature, technology, science, history, and much more. One notable platform where you can explore and download free Bay Poles For Load Bearing Windows PDF books and manuals is the internet's largest free library. Hosted online, this catalog compiles a vast assortment of documents, making it a veritable goldmine of knowledge. With its easy-to-use website interface and customizable PDF generator, this platform offers a user-friendly experience, allowing individuals to effortlessly navigate and access the information they seek. The availability of free PDF books and manuals on this platform demonstrates its commitment to democratizing education and empowering individuals with the tools needed to succeed in their chosen fields. It allows anyone, regardless of their background or financial limitations, to expand their horizons and gain insights from experts in various disciplines. One of the most significant advantages of downloading PDF books and manuals lies in their portability. Unlike physical copies, digital books can be stored and carried on a single device, such as a tablet or smartphone, saving valuable space and weight. This convenience makes it possible for readers to have their entire library at their fingertips, whether they are commuting, traveling, or simply enjoying a lazy afternoon at home. Additionally, digital files are easily searchable, enabling readers to locate specific information within seconds. With a few keystrokes, users can search for keywords, topics, or phrases, making research and finding relevant information a breeze. This efficiency saves time and effort, streamlining the learning process and allowing individuals to focus on extracting the information they need. Furthermore, the availability of free PDF books and manuals fosters a culture of continuous learning. By removing financial barriers, more people can access educational resources and pursue lifelong learning, contributing to personal growth and professional development. This democratization of knowledge promotes intellectual curiosity and empowers individuals to become lifelong learners, promoting progress and innovation in various fields. It is worth noting that while accessing free Bay Poles For Load Bearing Windows PDF books and manuals is convenient and cost-effective, it is vital to respect copyright laws and intellectual property rights. Platforms offering free downloads often operate within legal boundaries, ensuring that the materials they provide are either in the public domain or authorized for distribution. By adhering to copyright laws, users can enjoy the benefits of free access to knowledge while supporting the authors and publishers who make these resources available. In conclusion, the availability of Bay Poles For Load Bearing Windows free PDF books and manuals for download has revolutionized the way we access and consume knowledge. With just a few clicks, individuals can explore a vast collection of resources across different disciplines, all free of charge. This accessibility empowers individuals to become lifelong learners, contributing to personal growth, professional development, and the advancement of society as a whole. So why not unlock a world of knowledge today? Start exploring the vast sea of free PDF books and manuals waiting to be discovered right at your fingertips.

FAQs About Bay Poles For Load Bearing Windows Books

How do I know which eBook platform is the best for me? Finding the best eBook platform depends on your reading preferences and device compatibility. Research different platforms, read user reviews, and explore their features before making a choice. Are free eBooks of good quality? Yes, many reputable platforms offer high-quality free eBooks, including classics and public domain works. However, make sure to verify the source to ensure the eBook credibility. Can I read eBooks without an eReader? Absolutely! Most eBook platforms offer web-based readers or mobile apps that allow you to read eBooks on your computer, tablet, or smartphone. How do I avoid digital eye strain while reading eBooks? To prevent digital eye strain, take regular breaks, adjust the font size and background color, and ensure proper lighting while reading eBooks. What the advantage of interactive eBooks? Interactive eBooks incorporate multimedia elements, quizzes, and activities, enhancing the reader engagement and providing a more immersive learning experience. Bay Poles For Load Bearing Windows is one of the best book in our library for free trial. We provide copy of Bay Poles For Load Bearing Windows in digital format, so the resources that you find are reliable. There are also many Ebooks of related with Bay Poles For Load Bearing Windows. Where to download Bay Poles For Load Bearing Windows online for free? Are you looking for Bay Poles For Load Bearing Windows PDF? This is definitely going to save you time and cash in something you should think about.

Find Bay Poles For Load Bearing Windows :

[24-2144 dropshipping business examples USA](#) [24-753 dropshipping business tools comparison for startups](#) [24-2199 AI tools examples USA](#) [24-2667 AI organization blueprint for small business](#) [24-1093 home organization wellness trends for creators](#) [24-112 mental wellness trends for demand roadmap United States](#) [24-1949 print on demand step by step tips tools for small business](#) [24-2204 travel tips trends for startups comparison for entrepreneurs](#) [24-26 parenting tips comparison for States](#) **24-315 crypto trading roadmap for creators** **24-1150 crypto trading retirement planning tutorial United States** [24-1158 retirement planning smart home tech ideas United States](#) **24-2782 smart home tech ideas for 24-1900 VPN services checklist America** **24-2126 VPN services checklist** [24-2615 print on demand explained United States](#) [24-1575 print on demand](#) [24-488 cloud computing review United States](#) [24-2984 cloud computing](#)

~~step for startups 24-2395 machine learning basics strategies America
entrepreneurs 24-502 personal finance comparison for entrepreneurs~~

Bay Poles For Load Bearing Windows :

[canon imagepress c1 user manual pdf download](#) - Apr 30 2022

web view and download canon imagepress c1 manual online imagepress c1 printer pdf manual download

canon imagepress c1 service manual collection 6 - Feb 09 2023

web imagepress c1 service guide 71 pages imagepress c1 service guide 56 pages imagepress c1 ii service guide 81 pages
imagepress c1 c1

canon imagepress c1 user manual pdf download - Mar 30 2022

web view and download canon imagepress c800 service manual online imagepress c800 all in one printer pdf manual
download also for imagepress c700

canon imagepress c1 service manual manuals online - Sep 04 2022

web view and download canon imagepress c1 easy operation manual online imagepress c1 printer pdf manual download

canon imagepressc1 imagepress c1 service manuals - Nov 25 2021

canon imagepress c1 easy operation manual pdf - Jun 01 2022

web canon imagepress c1 manuals manuals and user guides for canon imagepress c1 we have 6 canon imagepress c1
manuals available for free pdf download

canon imagepress c1 manuals manualslib - Apr 11 2023

web canon imagepress c1 manuals manuals and user guides for canon imagepress c1 we have 4 canon imagepress c1
manuals available for free pdf download service

[canon imagepress c1 imagepress c1 p](#) - Mar 10 2023

web view online 1 265 pages or download pdf 56 mb canon imagepress c1 imagepress c7000 series imagepress c1 p service
manual imagepress c1

[download canon imagepress c1 p service manual manualslib](#) - Jun 13 2023

web canon imagepress c1 p service manual brand canon category all in one printer size 59 22 mb pages 1265 this manual is
also suitable for imagepress c1

canon imagepress c1 reference manual pdf - Jul 02 2022

web canon imagepress c1 user manual also see for imagepress c1 reference manual 622 pages user manual 195 pages easy

operation manual 60 pages 1 2

canon imagepress c1 manuals manualslib - Feb 26 2022

web most of our service manuals are immediately available as a pdf download that will provide the service information you need right away our canon imagepressc1

imagepress c1 support download drivers software and - Jul 14 2023

web the cque driver facilitates the creation and configuration of printer queues on linux workstations or servers allowing access to all features of canon devices ir clc mf

imagepress c1 series service manual documents and e books - Nov 06 2022

web download drivers software firmware and manuals for your imagepress c1 online technical support troubleshooting and how to s

canon imagepress c1 p service manual pdf - Aug 15 2023

web view and download canon imagepress c1 p service manual online imagepress c1 series imagepress c1 p all in one printer pdf manual download also for

imagepress c1 support download drivers software and - Sep 23 2021

canon imagepress c1 series service manual pdf scribd - May 12 2023

web canon imagepress c1 series service manual free ebook download as pdf file pdf text file txt or read book online for free imagepress c1

canon imagepress c800 service manual pdf download - Dec 27 2021

web imagepress c1 support download drivers software and manuals canon uk canon consumer product support imagepress series support download drivers

canon imagepress c1 c1 series service manual - Jan 08 2023

web service manual imagepress c1 series oct 22 2008 application this manual has been issued by canon inc for qualified persons to learn technical theory installation

canon imagepress c1 series service manual - Dec 07 2022

web official canon technical service manual used by canon trained engineers to repair and service the canon imagepress c1 series copier includes schematics

imagepress c1 support download drivers software and - Oct 25 2021

canon imagepress c1 manual pdf download - Oct 05 2022

web view and download canon imagepress c1 reference manual online imagepress c1 all in one printer pdf manual download
canon imagepress c1 manual pdf download manualslib - Jan 28 2022

web manuals apps functions firmware faqs help drivers 70 for certain products a driver is necessary to enable the connection between your product and a computer on

imagepress c1 support firmware software manuals - Aug 03 2022

web view and download canon imagepress c1 user manual online specialty media handling guide imagepress c1 printer pdf manual download also for imagepress c1

the career counselor s handbook parachute library paperback - Sep 26 2022

web the career counselor s handbook parachute library on amazon com au free shipping on eligible orders the career counselor s handbook parachute library

the career counselor s handbook parachute library - Jun 23 2022

web the career counselor s handbook parachute library the internet may 11 2020 this publication for career counselors is an easy to use practical guide to identifying useful websites incorporating them into career planning services and gaining awareness of ethical concerns

the career counselor s handbook the parachute library figler - Jul 25 2022

web the career counselor s handbook the parachute library figler howard bolles richard n amazon es libros

the career counselor s handbook the parachute library - Jul 05 2023

web buy the career counselor s handbook the parachute library by figler howard bolles richard n isbn 9781580081573 from amazon s book store everyday low prices and free delivery on eligible orders

the career counselor s handbook the parachute library - May 23 2022

web the career counselor s handbook the parachute library bybolles richard nelson 2000 02 29

the career counselor s handbook parachute library - May 03 2023

web in this revised and updated second edition of their classic guide for career counselors figler and bolles show aspiring counselors how to break into the business and give experienced counselors ideas for improving effectiveness and recharging their practice

the career counselor s handbook parachute library - Sep 07 2023

web mar 1 2004 the career counselor s handbook parachute library paperback march 1 2004 by richard n bolles author howard e figler author 4 1 4 1 out of 5 stars 85 ratings

the career counselor s handbook parachute library taschenbuch amazon de - Aug 26 2022

web the career counselor s handbook parachute library bolles richard n figler howard e isbn 9781580081573 kostenloser

versand für alle bücher mit versand und verkauf durch amazon

amazon in customer reviews the career counselor 39 s handbook - Nov 28 2022

web find helpful customer reviews and review ratings for the career counselor s handbook the parachute library at amazon com read honest and unbiased product reviews from our users

the career counselor s handbook the parachute library - Jun 04 2023

web amazon in buy the career counselor s handbook the parachute library book online at best prices in india on amazon in read the career counselor s handbook the parachute library book reviews author details and more at amazon in free delivery on qualified orders

the career counselor s handbook parachute library paperback amazon de - Mar 01 2023

web the career counselor s handbook parachute library bolles richard n figler howard e amazon de books

amazon com au customer reviews the career counselor 39 s handbook - Oct 28 2022

web find helpful customer reviews and review ratings for the career counselor s handbook parachute library at amazon com read honest and unbiased product reviews from our users

the career counselor s handbook parachute library paperback - Apr 02 2023

web buy the career counselor s handbook parachute library by isbn from amazon s book store everyday low prices and free delivery on eligible orders the career counselor s handbook parachute library amazon co uk books

[career counselling a handbook gideon arulmani google books](#) - Mar 21 2022

web rent and save from the world s largest ebookstore highlight and take notes across web tablet and phone go to google play now career counselling a handbook gideon arulmani mcgraw hill education india pvt limited 2004 counseling 365 pages bibliographic information title career counselling a handbook author gideon

the career counselor s handbook parachute library - Oct 08 2023

web the career counselor s handbook parachute library bolles richard n figler howard e amazon com tr kitap

the career counselor s handbook parachute library - Aug 06 2023

web comprehensive book from probably the most famous career authors in existence quite complete dealing with everthing from the goals of career counseling to the future of the industry the chapter on history is very detailed and interesting following job hunt theory from the early 1900 s until now advice is providing on setting up a

career counselling books goodreads - Apr 21 2022

web avg rating 3 73 15 ratings published 1993 want to read rate this book 1 of 5 stars 2 of 5 stars 3 of 5 stars 4 of 5 stars 5 of 5 stars mindset the new psychology of success hardcover by carol s dweck shelved 1 time as career counselling avg rating 4 09 142 600 ratings published 2006

[the career counselor s handbook parachute library paperback](#) - Jan 31 2023

web the career counselor s handbook parachute library books amazon ca skip to main content ca hello select your address books select the department you want to search in search amazon ca en hello sign in account lists

career counseling books goodreads - Feb 17 2022

web bill burnett shelved 2 times as career counseling avg rating 3 91 19 626 ratings published 2016 want to read rate this book 1 of 5 stars 2 of 5 stars 3 of 5 stars 4 of 5 stars 5 of 5 stars never eat alone and other secrets to success one relationship at a time hardcover by keith ferrazzi

[amazon com customer reviews the career counselor 39 s handbook](#) - Dec 30 2022

web find helpful customer reviews and review ratings for the career counselor s handbook parachute library at amazon com read honest and unbiased product reviews from our users

hyperversum 5 ultimate hyperversum google play - May 12 2023

web buy ultimate hyperversum by randall cecilia isbn 9788809831353 from amazon s book store everyday low prices and free delivery on eligible orders

upc 9788809856004 hyperversum ultimate the world s largest - Jun 01 2022

web find books like hyperversum ultimate from the world s largest community of readers goodreads members who liked hyperversum ultimate also liked un matri

[books by cecilia randall author of hyperversum goodreads](#) - Feb 09 2023

web mar 29 2017 torna il mondo di hyperversum una saga di successo che ha superato le 200 000 copie phoenix arizona futuro prossimo alex ha deciso tornerà nel medioevo

hyperversum ultimate new italian books - Nov 06 2022

web books shelved as wr randall cecilia hyperversum unknown by cecilia randall hyperversum ultimate hyperversum next generation vol 2 by cecilia randall

[hyperversum la saga fantasy tra presente e medioevo giunti](#) - Mar 30 2022

web mar 6 2019 hyperversum ultimate waves italian edition randall cecilia on amazon com free shipping on qualifying offers hyperversum ultimate waves

pdf epub hyperversum ultimate hyperversum next - Dec 27 2021

web books shelved as fantasy medievale hyperversum ultimate hyperversum next generation vol 2 by cecilia randall hyperversum next by cecilia randall th

ultimate hyperversum hardcover 29 mar 2017 amazon co uk - Apr 11 2023

web buy hyperversum ultimate waves by randall cecilia from amazon s fiction books store everyday low prices on a huge

range of new releases and classic fiction

hyperversum ultimate hyperversum next generation vol 2 - Aug 03 2022

web discover and share books you love on goodreads

[fantasy e fantasy storico books goodreads](#) - Oct 25 2021

web jun 20 2023 hyper v devre dışı bırakma pc nizden hyper v yi kaldırmak için aşağıdaki adımları izleyin adım 1 başlat düğmesine sağ tıklayarak programlar ve Özellikleri ni

hyperversum ultimate ebook by cecilia randall rakuten kobo - Dec 07 2022

web hyperversum ultimate phoenix arizona near future alex has decided she will return to the middle ages to find marc who has since become first knight of louis ix besides

hyperversum ultimate partial english 2 2017 new italian - Aug 15 2023

web book 1 hyperversum next by cecilia randall 4 22 769 ratings 81 reviews 5 editions phoenix arizona futuro prossimo alexandra freela want to read rate it book 2

hyperversum ultimate waves paperback 6 mar 2019 - Mar 10 2023

web hyperversum ultimate hyperversum next generation vol 2 italian edition by cecilia randall 4 11 avg rating 612 ratings published 2017 3 editions

hyperversum ultimate hyperversum next generation vol 2 - Sep 04 2022

web hyperversum ultimate hyperversum next generation vol 2 italian edition ebook randall cecilia amazon co uk kindle store

[hyperversum ultimate waves italian edition randall cecilia](#) - Feb 26 2022

web italian it epub 0 8mb cecilia randall hyperversum ultimate 2017 giunti epub

[hyperversum ultimate anna s archive](#) - Jan 28 2022

web jun 17 2023 full book name hyperversum ultimate hyperversum next generation vol 2 italian edition author name cecilia randall book genre fantasy historical

hyperversum ultimate anna s archive - Jun 13 2023

web hyperversum 5 ultimate hyperversum audiobook written by cecilia randall narrated by dario sansalone get instant access to all your favorite books no monthly

hyper v kaldırma devre dışı bırakma sysnettech solutions - Sep 23 2021

[fantasy medievale books goodreads](#) - Nov 25 2021

web books shelved as fantasy e fantasy storico hyperversum ultimate hyperversum next generation vol 2 by cecilia randall piranesi by susanna clarke l e

wr randall cecilia books goodreads - Oct 05 2022

web hyperversum ultimate hyperversum next generation vol 2 italian edition ebook randall cecilia amazon de kindle store

hyperversum next generation series by cecilia randall - Jul 14 2023

web hyperversum ultimate giunti hiperversum 6 2017 randall cecilia download option 1 libgen li click get at the top all download options have the same file and should

hyperversum ultimate hyperversum next generation vol 2 - Jan 08 2023

web read hyperversum ultimate by cecilia randall available from rakuten kobo torna il mondo di hyperversum una saga di successo che ha superato le 200 000 copie

books similar to hyperversum ultimate goodreads - Apr 30 2022

web appassionato di hyperversum un videogioco di realtà virtuale ambientato nel medioevo daniel ha imparato regole e stili di vita di quell epoca remota e conosce le tecniche di

loading interface goodreads - Jul 02 2022

web upc 9788809856004 hyperversum ultimate 3 variations info barcode images gtin registration where to buy online torna il mondo di hyperversum una saga di