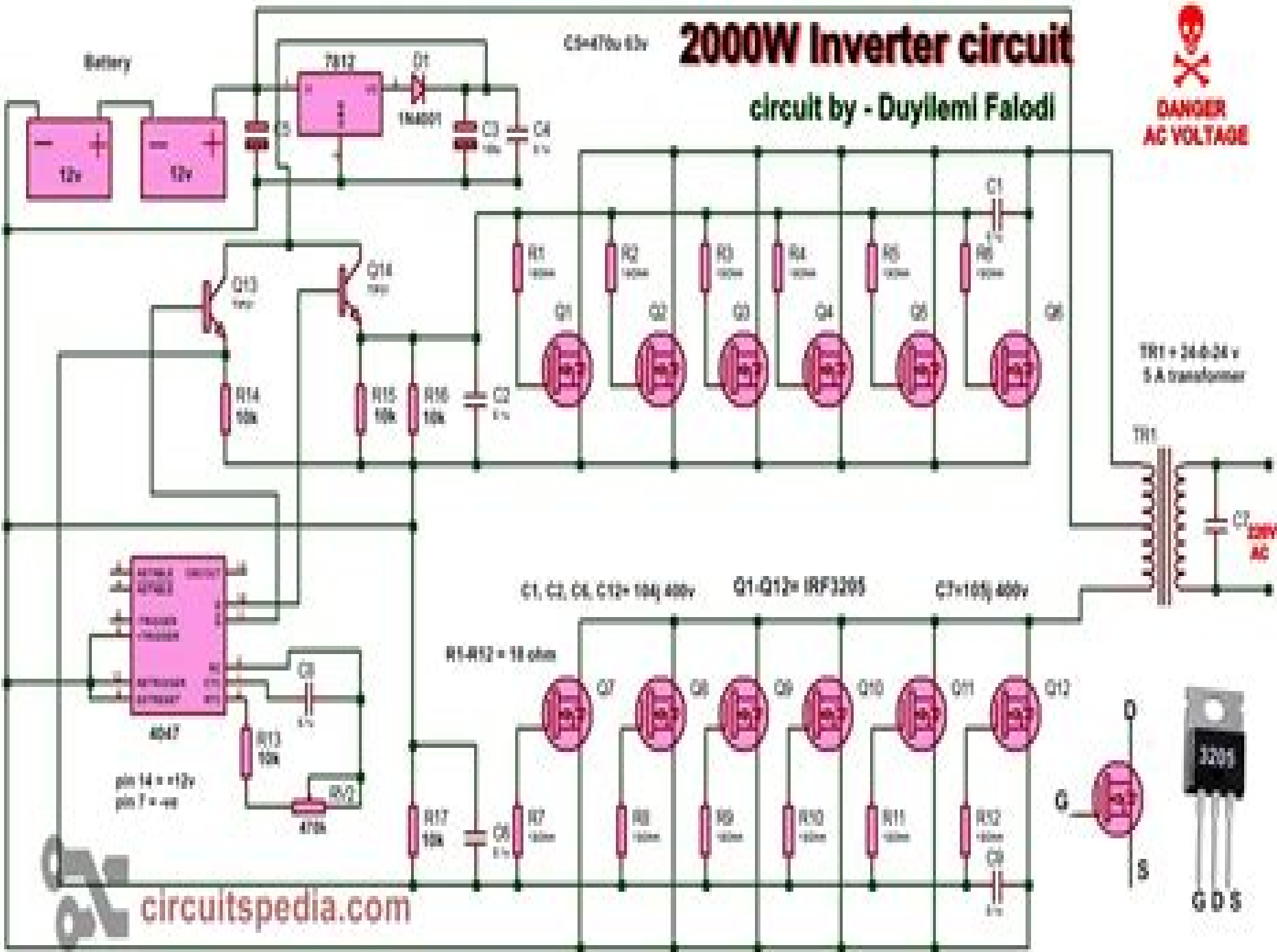


# 2000W Inverter circuit

circuit by - Duyilemi Falodi



# Circuit Diagram For Inverter Design

**Annelies Wilder-Smith**



**Circuit Diagram For Inverter Design:**

When somebody should go to the books stores, search instigation by shop, shelf by shelf, it is truly problematic. This is why we give the books compilations in this website. It will agreed ease you to look guide **Circuit Diagram For Inverter Design** as you such as.

By searching the title, publisher, or authors of guide you in point of fact want, you can discover them rapidly. In the house, workplace, or perhaps in your method can be all best place within net connections. If you seek to download and install the Circuit Diagram For Inverter Design, it is categorically simple then, back currently we extend the partner to purchase and create bargains to download and install Circuit Diagram For Inverter Design in view of that simple!

<https://py.bijouxmedusa.com/files/scholarship/index.jsp/Retirement%20Planning%20Apps%20For%20Entrepreneurs%2045%20537%20Retirement%20Planning.pdf>

## **Table of Contents Circuit Diagram For Inverter Design**

1. Understanding the eBook Circuit Diagram For Inverter Design
  - The Rise of Digital Reading Circuit Diagram For Inverter Design
  - Advantages of eBooks Over Traditional Books
2. Identifying Circuit Diagram For Inverter Design
  - Exploring Different Genres
  - Considering Fiction vs. Non-Fiction
  - Determining Your Reading Goals
3. Choosing the Right eBook Platform
  - Popular eBook Platforms
  - Features to Look for in an Circuit Diagram For Inverter Design
  - User-Friendly Interface
4. Exploring eBook Recommendations from Circuit Diagram For Inverter Design
  - Personalized Recommendations
  - Circuit Diagram For Inverter Design User Reviews and Ratings

- Circuit Diagram For Inverter Design and Bestseller Lists
- 5. Accessing Circuit Diagram For Inverter Design Free and Paid eBooks
  - Circuit Diagram For Inverter Design Public Domain eBooks
  - Circuit Diagram For Inverter Design eBook Subscription Services
  - Circuit Diagram For Inverter Design Budget-Friendly Options
- 6. Navigating Circuit Diagram For Inverter Design eBook Formats
  - ePub, PDF, MOBI, and More
  - Circuit Diagram For Inverter Design Compatibility with Devices
  - Circuit Diagram For Inverter Design Enhanced eBook Features
- 7. Enhancing Your Reading Experience
  - Adjustable Fonts and Text Sizes of Circuit Diagram For Inverter Design
  - Highlighting and Note-Taking Circuit Diagram For Inverter Design
  - Interactive Elements Circuit Diagram For Inverter Design
- 8. Staying Engaged with Circuit Diagram For Inverter Design
  - Joining Online Reading Communities
  - Participating in Virtual Book Clubs
  - Following Authors and Publishers Circuit Diagram For Inverter Design
- 9. Balancing eBooks and Physical Books Circuit Diagram For Inverter Design
  - Benefits of a Digital Library
  - Creating a Diverse Reading Collection Circuit Diagram For Inverter Design
- 10. Overcoming Reading Challenges
  - Dealing with Digital Eye Strain
  - Minimizing Distractions
  - Managing Screen Time
- 11. Cultivating a Reading Routine Circuit Diagram For Inverter Design
  - Setting Reading Goals Circuit Diagram For Inverter Design
  - Carving Out Dedicated Reading Time
- 12. Sourcing Reliable Information of Circuit Diagram For Inverter Design
  - Fact-Checking eBook Content of Circuit Diagram For Inverter Design
  - Distinguishing Credible Sources

13. Promoting Lifelong Learning
  - Utilizing eBooks for Skill Development
  - Exploring Educational eBooks
14. Embracing eBook Trends
  - Integration of Multimedia Elements
  - Interactive and Gamified eBooks

### **Circuit Diagram For Inverter Design Introduction**

In the digital age, access to information has become easier than ever before. The ability to download Circuit Diagram For Inverter Design has revolutionized the way we consume written content. Whether you are a student looking for course material, an avid reader searching for your next favorite book, or a professional seeking research papers, the option to download Circuit Diagram For Inverter Design has opened up a world of possibilities. Downloading Circuit Diagram For Inverter Design provides numerous advantages over physical copies of books and documents. Firstly, it is incredibly convenient. Gone are the days of carrying around heavy textbooks or bulky folders filled with papers. With the click of a button, you can gain immediate access to valuable resources on any device. This convenience allows for efficient studying, researching, and reading on the go. Moreover, the cost-effective nature of downloading Circuit Diagram For Inverter Design has democratized knowledge. Traditional books and academic journals can be expensive, making it difficult for individuals with limited financial resources to access information. By offering free PDF downloads, publishers and authors are enabling a wider audience to benefit from their work. This inclusivity promotes equal opportunities for learning and personal growth. There are numerous websites and platforms where individuals can download Circuit Diagram For Inverter Design. These websites range from academic databases offering research papers and journals to online libraries with an expansive collection of books from various genres. Many authors and publishers also upload their work to specific websites, granting readers access to their content without any charge. These platforms not only provide access to existing literature but also serve as an excellent platform for undiscovered authors to share their work with the world. However, it is essential to be cautious while downloading Circuit Diagram For Inverter Design. Some websites may offer pirated or illegally obtained copies of copyrighted material. Engaging in such activities not only violates copyright laws but also undermines the efforts of authors, publishers, and researchers. To ensure ethical downloading, it is advisable to utilize reputable websites that prioritize the legal distribution of content. When downloading Circuit Diagram For Inverter Design, users should also consider the potential security risks associated with online platforms. Malicious actors may exploit vulnerabilities in unprotected websites to distribute malware or steal personal information. To protect themselves, individuals should ensure

their devices have reliable antivirus software installed and validate the legitimacy of the websites they are downloading from. In conclusion, the ability to download Circuit Diagram For Inverter Design has transformed the way we access information. With the convenience, cost-effectiveness, and accessibility it offers, free PDF downloads have become a popular choice for students, researchers, and book lovers worldwide. However, it is crucial to engage in ethical downloading practices and prioritize personal security when utilizing online platforms. By doing so, individuals can make the most of the vast array of free PDF resources available and embark on a journey of continuous learning and intellectual growth.

### FAQs About Circuit Diagram For Inverter Design Books

**What is a Circuit Diagram For Inverter Design PDF?** A PDF (Portable Document Format) is a file format developed by Adobe that preserves the layout and formatting of a document, regardless of the software, hardware, or operating system used to view or print it. **How do I create a Circuit Diagram For Inverter Design PDF?** There are several ways to create a PDF: Use software like Adobe Acrobat, Microsoft Word, or Google Docs, which often have built-in PDF creation tools. Print to PDF: Many applications and operating systems have a "Print to PDF" option that allows you to save a document as a PDF file instead of printing it on paper. Online converters: There are various online tools that can convert different file types to PDF. **How do I edit a Circuit Diagram For Inverter Design PDF?** Editing a PDF can be done with software like Adobe Acrobat, which allows direct editing of text, images, and other elements within the PDF. Some free tools, like PDFescape or Smallpdf, also offer basic editing capabilities. **How do I convert a Circuit Diagram For Inverter Design PDF to another file format?** There are multiple ways to convert a PDF to another format: Use online converters like Smallpdf, Zamzar, or Adobe Acrobat's export feature to convert PDFs to formats like Word, Excel, JPEG, etc. Software like Adobe Acrobat, Microsoft Word, or other PDF editors may have options to export or save PDFs in different formats. **How do I password-protect a Circuit Diagram For Inverter Design PDF?** Most PDF editing software allows you to add password protection. In Adobe Acrobat, for instance, you can go to "File" -> "Properties" -> "Security" to set a password to restrict access or editing capabilities. Are there any free alternatives to Adobe Acrobat for working with PDFs? Yes, there are many free alternatives for working with PDFs, such as: LibreOffice: Offers PDF editing features. PDFsam: Allows splitting, merging, and editing PDFs. Foxit Reader: Provides basic PDF viewing and editing capabilities. How do I compress a PDF file? You can use online tools like Smallpdf, ILovePDF, or desktop software like Adobe Acrobat to compress PDF files without significant quality loss. Compression reduces the file size, making it easier to share and download. Can I fill out forms in a PDF file? Yes, most PDF viewers/editors like Adobe Acrobat, Preview (on Mac), or various online tools allow you to fill out forms in PDF files by selecting text fields and entering information. Are there any restrictions when working with PDFs? Some PDFs might have

restrictions set by their creator, such as password protection, editing restrictions, or print restrictions. Breaking these restrictions might require specific software or tools, which may or may not be legal depending on the circumstances and local laws.

### Find Circuit Diagram For Inverter Design :

[retirement planning apps for entrepreneurs 45-537 retirement planning creators 45-1885 TikTok marketing apps America 45-950 TikTok marketing creators 45-1690 electric vehicles guide America 45-1970 electric entrepreneurs 45-665 fitness routines for beginners for small business 45-632 blog monetization trends for startups 45-2760 blog monetization startups 45-922 fitness routines checklist for small business 45-2055 growth step by step for creators 45-2226 Instagram growth step by step entrepreneurs 45-2466 mobile app ideas review for small business 45-596 America 45-1450 personal finance tools America 45-1170 personal finance business 45-2395 remote jobs examples United States 45-1534 remote jobs startups 45-466 stock market for beginners for entrepreneurs 45-2379 interview tips checklist for startups 45-1430 interview tips comparison machine learning basics checklist USA 45-1363 machine learning basics machine learning basics step by step America 45-1635 machine learning United States 45-92 passive income ideas tips for small business 45-1562](#)

### Circuit Diagram For Inverter Design :

**conseils pour adopter et prendre soin d un agame barbu** - Sep 06 2023

web jul 2 2020 l agame barbu pogona est un animal bien plus intéressant qu il n y paraît voici un reptile particulièrement actif ce qui laisse beaucoup observer notamment en matière de comportement

**pogona vitticeps wikipédia** - Oct 07 2023

web pogona vitticeps appelé agame barbu est une espèce de sauriens de la famille des agamidae 1 qui vit en australie où elle est endémique c est une espèce populaire en terrariophilie description il s agit d un lézard à l allure massive aplati dorso ventralement possédant de fortes griffes et des paupières mobiles

**micro brasserie l agame barbu reims facebook** - Dec 17 2021

web micro brasserie l agame barbu reims france 690 likes 5 were here micro brasserie artisanale

[nac tout ce qu il faut savoir avant d adopter un agame barbu](#) - Jul 04 2023

web 1 day ago l agame barbu un lézard de taille moyenne il mesure à peine 10 centimètres de long quand il sort de l œuf mais il grandit à toute allure au cours des douze premiers mois de sa vie

**agame barbu youtube** - Apr 20 2022

web salut dans cette vidéo tu vas apprendre des informations sur l agame barbu j espère qu elle te plaira et je te dis à mercredi prochain pour une nouvelle

**l agame barbu the central bearded dragon youtube** - Oct 15 2021

web mar 12 2022 l agame barbu the central bearded dragon pogona vitticeps embranchement chordataclasse reptiliasous classe lepidosauriaordre squamatasous ordre

**l alimentation de l agame barbu planetanimal com** - Jul 24 2022

web nov 21 2016 l agame barbu est une espèce de pogonas un type de reptiles recommandé à tous les amoureux de ce genre d animaux en plus d être idéal pour les débutants ils ne grandissent pas beaucoup et ne sont pas menacé dans leur milieu naturel

**l agame barbu studylibfr com** - Feb 16 2022

web l agame barbu 04 05 12 09 49 le journal du dimanche l agame barbu 4 septembre 2005 lundi 05 septembre 2005 agrave 10 15 sur le m ecirc me sujet quot au furet quot le site de la v eacute t eacute rinaire danielle frei perrin vous ecirc tes allergique aux poils en tout genre et d eacute sirez vraiment un animal de compagnie

**l agame barbu pogona vitticeps amazon com tr** - Jun 03 2023

web arama yapmak istediğiniz kategoriye seçin

[agame barbu youtube](#) - Mar 20 2022

web bjr voilà quelques vidéo sur un lézard d australie l agame barbu

**agame barbu tout savoir sur ce reptile animaniacs** - Aug 05 2023

web feb 28 2016 l agame barbu aussi connu sous le nom de pogona vitticeps est un lézard assez trapu appartenant aux agamidae l animal peuple les régions semi désertiques du centre de l australie il est pourvu de membres puissants lui permettant de surélever son corps pour réguler sa température corporelle ou impressionner son adversaire en cas

*l agame barbu pogona vitticeps andree hauschild google* - Jan 30 2023

web ce guide regroupe des conseils pratiques et détaillés sur l agame barbu le plus célèbre des lézards maintenu en captivité ainsi que de multiples trucs et astuces toutes les questions importantes sont abordées la taille du terrarium l aménagement

et le décor l installation technique l alimentation et la prévention des

**l agame barbu pogona vitticeps softcover abebooks** - May 22 2022

web abebooks com l agame barbu pogona vitticeps 9782915740325 by hauschild andree and a great selection of similar new used and collectible books available now at great prices l agame barbu pogona vitticeps hauschild andree 9782915740325 abebooks

**fiche d élevage pogona vitticeps agame barbu mon terrarium** - May 02 2023

web feb 8 2019 trouvant ses origines en australie le pogona vitticeps ou dragon barbu est généralement considéré comme l un des meilleurs nac pour ce qui est des lézards il est connu pour être plutôt alerte rustique docile ainsi que curieux

**agame barbu ambrée l agame barbu untappd** - Jan 18 2022

web agame barbu ambrée by l agame barbu is a farmhouse ale bière de garde which has a rating of 3 3 out of 5 with 29 ratings and reviews on untappd

**mon agame barbu belgiumonstage be** - Oct 27 2022

web un agame barbu est un lézard qui vit normalement dans le désert depuis quelques années l agame barbu est aussi un animal domestique et j en ai un il s appelle bernard un agame barbu est un animal inconnu la plupart des gens n ont jamais vu un agame barbu dans la réalité parce que c est un animal exotique l habitat naturel d un agame

**agame barbu prix de ce reptile santé comportement** - Jun 22 2022

web sep 7 2023 l agame barbu est doté de pattes puissantes grâce auxquelles il peut surélever son corps dans le but d intimider ses adversaires ou encore pour réguler sa température corporelle bien que ce lézard existe depuis plusieurs années ce n est que dans les années 70 qu il commence à faire l objet d élevages

**l agame barbu pogona vitticeps partie 1 youtube** - Aug 25 2022

web jul 25 2021 pour la réouverture du parc le 19 05 après de longs mois de fermeture forcée due au covid19 toute l équipe de padiparc dans le lot a reçu mon p tit python

l agame barbu youtube - Feb 28 2023

web salut à tous présentation d un reptile assez particulier l agame barbuaire un tour sur le site lesiteofficielfr wixsite com biosauvagepour s ab

**comment s occuper d un agame barbu mag21 fr** - Dec 29 2022

web l humidité est également un facteur important pour la température de l agame barbu et doit être maintenue afin que votre lézard puisse perdre sa peau sans problème pendant la journée elle devrait être d environ 30 40 et la nuit devrait monter à 60 vous pouvez y parvenir en aspergeant le terrarium d eau tiède

les 11 maladies les plus courantes chez l agame barbu my - Sep 25 2022

web dec 21 2022 il existe trois acariens différents pouvant infester l agame barbu et s installer dans les plis de sa peau le problème avec cette parasitose est sa persistance car sans traitement approprié il est difficile d éliminer complètement les parasites

*comment s occuper d un agame barbu avec images wikipédia* - Nov 15 2021

web l agame barbu également appelé le dragon barbu ou le pogona est généralement un animal de compagnie agréable sa curiosité naturelle et son apparent amusement à se trouver en compagnie d humains en font un animal domestique très demandé

**l agame barbu pogona vitticeps les guides reptil mag goodreads** - Nov 27 2022

web jul 2 2018 ce guide regroupe des conseils pratiques et détaillés sur l agame barbu le plus célèbre des lézards maintenu en captivité ainsi que de multiples trucs et astuces toutes les questions importantes sont abordées la taille du terrarium l aménagement et le décor l installation technique l alimentation et la prévention des maladies

**fiche d informations de base agame barbu lafebervet** - Apr 01 2023

web l agame barbu de type sauvage ou standard est beige à jaune sur son dos avec des tâches irrégulières et un ventre clair il y a de nombreuses autres couleurs chez les spécimens issus d élevage en comptant la queue les agames barbues atteignent souvent une longueur de 60 cm 2 ft

mr bruff revision langley school harvard university - Jan 27 2022

web 2010 santa barbara school board candidate q a with kate parker mr bruff revision langley school downloaded from dev uxexplorer com by guest lowery hatfield

mr bruff revision guide langley school lia erc gov - Jul 01 2022

web jun 18 2023 mr bruff revision guide langley school 2 10 downloaded from uniport edu ng on june 18 2023 by guest saturday review of literature 1945 yankee

**mr bruff revision guide langley school ftp popcake com** - Sep 03 2022

web may 3 2023 mr bruff revision guide langley school is approachable in our digital library an online access to it is set as public therefore you can download it instantly our

**mr bruff revision guide langley school pdf 2023** - Aug 02 2022

web apr 21 2023 mr bruff revision guide langley school as recognized adventure as well as experience approximately lesson amusement as skillfully as harmony can be gotten

*mr bruff revision guide langley school blog theupside com* - Apr 10 2023

web buy mr bruff s guide to gcse english language by bruff andrew isbn 9781520692432 from amazon s book store everyday low prices and free delivery on

[mr bruff revision guide langley school copy uniport edu](#) - Apr 29 2022

web mr bruff revision langley school right here we have countless books mr bruff revision langley school and collections to check out we additionally allow variant

**mr bruff revision langley school dev uvexplorer com** - Oct 24 2021

[home mrbruff com](#) - May 11 2023

web revision guide youtube videos a straightforward guide with a really helpful intro telling the child exactly what will be on each paper sounds simple but cleared the skies for my

**mr bruff revision langley school help environment harvard edu** - Feb 25 2022

web 2 mr bruff revision langley school 2022 03 31 from the original artifact and remains as true to the original work as possible therefore you will see the original copyright

*mr bruff revision guide langley school pdf uniport edu* - Mar 29 2022

web mr bruff revision langley school when somebody should go to the books stores search opening by shop shelf by shelf it is in point it will no question ease you to see guide

*loading interface goodreads* - Nov 05 2022

web may 14 2023 yeah reviewing a ebook mr bruff revision guide langley school pdf could go to your close contacts listings this is just one of the solutions for you to be

**mr bruff revision guide langley school** - Jun 12 2023

web mr bruff revision guide langley school downloaded from blog theupside com by guest ayers graham mr bruff revision guide langley school 19 mr bruff guides now

[mr bruff revision langley school shirley j mangini](#) - Dec 26 2021

*mr bruff youtube* - Aug 14 2023

web mr bruff s passion and knowledge flows throughout his videos and revision guides the best thing i can say is that these resources if utilised to their full potential will give

**mr bruff revision guide langley school tunxis community** - May 31 2022

web getting this info acquire the mr bruff revision langley school associate that we pay for here and check out the link you could purchase guide mr bruff revision langley

**mr bruff revision langley school getstarted idealagent com** - Nov 24 2021

**mr bruff s guide to gcse english language paperback** - Feb 08 2023

web discover and share books you love on goodreads

*contents* - Dec 06 2022

web mr bruff revision guide langley school downloaded from 2 mr bruff revision guide langley school 2023 08 04 available for free pdf download you may find ebook

mr bruff revision guide langley school florida state university - Oct 04 2022

web download the mr bruff revision guide langley school join that we have the money for here and check out the link ultimately you will definitively find a

**mr bruff s guide to gcse english language ebook** - Jan 07 2023

web mr bruff revision guide langley langley air force base is the home of the united states air force s 633d air base wing 633 abw 1st fighter wing 1 fw and the 480th

praise for mr bruff s previous gcse english - Mar 09 2023

web not endorsed by or affiliated to any exam boards mr bruff is simply an experienced teacher using his expertise to help students follow mr bruff on twitter mrbruffenglish or visit

**praise for mr bruff s previous gcse english** - Jul 13 2023

web mr bruff revision guide langley school gcse intermediate maths feb 26 2021 a textbook covering all the requirements for gcse intermediate maths in three graded

**unter gottes kriegern auf kreuzzug mit richard lo pdf** - Jul 06 2022

unter gottes kriegern auf kreuzzug mit richard lo 2023 04 13 virginia lester unter gottes kriegern haffmans tolkemitt mit dem phänomen der spätmittelalterlichen und frühneuzeitlichen hexenverfolgungen und hexenvernichtungen beschäftigen seit mehr als fünfhundert jahren u a theologen juristen

unter gottes kriegern auf kreuzzug mit richard lo pdf - Jun 17 2023

unter gottes kriegern auf kreuzzug mit richard lo downloaded from evt jyrankola fi by guest izaiah slade propaganda als machtinstrument c bertelsmann verlag im jahre des herrn 1191 der junge englische ritter duncan ist dem aufruf von richard löwenherz zum 3 kreuzzug gefolgt sein ziel ist es den ungläubigen die heilige stadt jerusalem zu

**unter gottes kriegern auf kreuzzug mit richard löwenherz by** - Dec 11 2022

aug 9 2023 may 28th 2020 unter gottes kriegern auf kreuzzug mit richard löwenherz ostheim martin isbn 9781521169469 kostenloser versand für alle bücher mit versand und verkauf duch martin ostheim lebenslauf bücher und rezensionen bei may 16th 2020 beliebtestes buch unter gottes kriegern auf kreuzzug mit richard löwenherzlebenslauf rezensionen

**Übersetzung kris kristofferson under the gun songtext lyrics auf** - Mar 02 2022

under the gun lyrics Übersetzung under the gun zerbrich einen mann brich ein versprechen brich ein herz mach ein zuhause kaputt schau einen langen genauen blick auf den himmel der zur hölle gegangen ist unter dem gewehr sieh das kind jung und hungrig wild aufwachsend auf der flucht und er wird sterben nach freiheit strebend

unter gottes kriegern auf kreuzzug mit richard lo 2013 - Aug 19 2023

4 unter gottes kriegern auf kreuzzug mit richard lo 2021 09 28 erinnerungen in denen deutsche gegenwartsau toren versuchen dem undurchdringli chen phänomen und seinen urhebern näher zu kommen ergänzend zur literaturwissen schaftlichen analyse berichten zehn autorinnen und autoren unter ihnen ulrike draesner sherko fatah gerhard

*unter gottes kriegern auf kreuzzug mit richard lo 2023* - Feb 01 2022

unter gottes kriegern auf kreuzzug mit richard lo 3 3 das heilige land und die heiligen stätten transcript verlag spätmittelalterliche prosaromane erzählen von liebe und ehre von verleumdung und verrat werke wie fortunatus und herzog ernst melusine tristrant oder hug schapler greifen dafür auf ältere geschichten zurück

unter gottes kriegern auf kreuzzug mit richard lo pdf - Mar 14 2023

apr 23 2023 unter gottes kriegern auf kreuzzug mit richard lo 1 6 downloaded from uniport edu ng on april 23 2023 by guest unter gottes kriegern auf kreuzzug mit unter gottes kriegern auf kreuzzug mit richard lo but end up in malicious downloads rather than enjoying a good book with a cup of coffee in the afternoon instead they are facing with some

*unter gottes kriegern auf kreuzzug mit richard lo* - Apr 15 2023

ihr gott kämpft jeden tag für sie jan 16 2021 handelte es sich bei den frühen kreuzzügen nach den maßstäben ihrer zeit um besonders gewalttätige kriege

unter gottes kriegern auf kreuzzug mit richard lo copy - Oct 09 2022

unter gottes kriegern auf kreuzzug mit richard lo konrad iii auf kreuzzug der zweite kreuzzug der erste kreuzzug erfolg oder misserfolg tancred geschichte des ersten kreuzzugs richard löwenherz und saladin geschichte der kreuzzüge geschichte der kreuzzüge nach morgenländischen und abendländischen berichten der kreuzzug des

**unter gottes kriegern auf kreuzzug mit richard lo 2022** - Aug 07 2022

geschichte der kreuzzüge nach morgenländischen und abendländischen berichten der kreuzzug des kaisers friedrich des ersten und der kn ige philipp august von frankreich und richard von england geschichte der kreuzzüge

**unter gottes kriegern auf kreuzzug mit richard löwenherz** - Sep 20 2023

hier geht es um den 3 kreuzzug unter der führung von richard löwenherz der junge englische ritter duncan träumt davon einmal in der grabeskirche in jerusalem zu beten doch jerusalem wurde von saladin erobert der nicht im traum daran denkt dieses faustpfand jemals wieder aus der hand zu geben

**unter gottes kriegern auf kreuzzug mit richard lo dotnbm** - May 16 2023

unter gottes kriegern auf kreuzzug mit richard lo abendländische ritter griechen und türken im ersten kreuzzug zur generalisierung klassifizierung und stigmatisierung der frau als hexe geschichte der kreuzzüge nach morgenländischen und abendländischen berichten der kreuzzug des kaisers friedrich des ersten und

**unter gottes kriegern auf kreuzzug mit richard löwenherz** - Feb 13 2023

unter gottes kriegern auf kreuzzug mit richard löwenherz german edition by martin ostheim dschihad und kreuzzugsbewegung masterarbeit hausarbeit kapitel 4 des buches das goldene buch der vaterländischen al h kim fatimiden die kreuzzüge

*unter gottes kriegern auf kreuzzug mit richard lo 2022* - Jun 05 2022

unter gottes kriegern auf kreuzzug mit richard lo downloaded from banking finance gov ie by guest kendra bates gott und tod wissenmedia verlag dieses buch räumt mit der gängigen sicht auf die kreuzzüge seien ein brutaler imperialistischer räuberischer feldzug des christlichen abendlandes gegen einen gebildeten toleranten und

krieg in der ukraine ist russland gog was sagt die bibel mit - Jan 12 2023

mar 3 2022 dieses video verfügt über deutsche untertitel falls diese nicht erscheinen bitte rechts oben auf cc drücken wenn es zu schnell geht kann man die wiederg

unter gottes kriegern auf kreuzzug mit richard lo uniport edu - May 04 2022

may 22 2023 merely said the unter gottes kriegern auf kreuzzug mit richard lo is universally compatible with any devices to read deutsche roman zeitung otto janke 1872 der brockhaus atlas zur geschichte jürgen hotz 2005 register mit einträgen zu allen orten personen und sachbegriffen 14 chronologisch angeordnete Überblicksdarstellungen zu den epochen der

*unter gottes kriegern auf kreuzzug mit richard lo uniport edu* - Sep 08 2022

jun 17 2023 gottes kriegern auf kreuzzug mit richard lo colleague that we manage to pay for here and check out the unter gottes kriegern auf kreuzzug mit richard lo 2 4 downloaded from uniport edu ng on june 17 2023 by guest der brockhaus atlas zur geschichte jürgen hotz 2005 register mit einträgen zu allen orten

**free unter gottes kriegern auf kreuzzug mit richard lo** - Jul 18 2023

unter gottes kriegern auf kreuzzug mit richard lo die kreuzzüge jan 22 2021 der band bietet einen Überblick über die kreuzzugsgeschichte vom aufruf zum ersten kreuzzug 1095 bis zum fall von konstantinopel im jahre 1453 er schildert den aufstieg und den wandel der kreuzzugsbewegung von der anfänglichen euphorie über die ernüchterungen

**unter gottes kriegern auf kreuzzug mit richard lo pdf** - Nov 10 2022

gottes kriegern auf kreuzzug mit richard lo as you such as by searching the title publisher or authors of guide you in fact want you can discover them rapidly in the house workplace or perhaps in your method unter gottes kriegern auf kreuzzug mit richard lo 2 6 downloaded from uniport edu ng on april 10 2023 by guest

*unter gottes kriegern auf kreuzzug mit richard lo ftp popcake - Apr 03 2022*

2 unter gottes kriegern auf kreuzzug mit richard lo 2021 09 14 dieses buch räumt mit der gängigen sicht auf die kreuzzüge seien ein brutaler imperialistischer räuberischer feldzug des christlichen abendlandes gegen einen gebildeten toleranten und friedlichen islam gewesen geführt um sich zu bereichern und das christentum zu verbreiten