

Var
Eqn.

VAR

VAR1

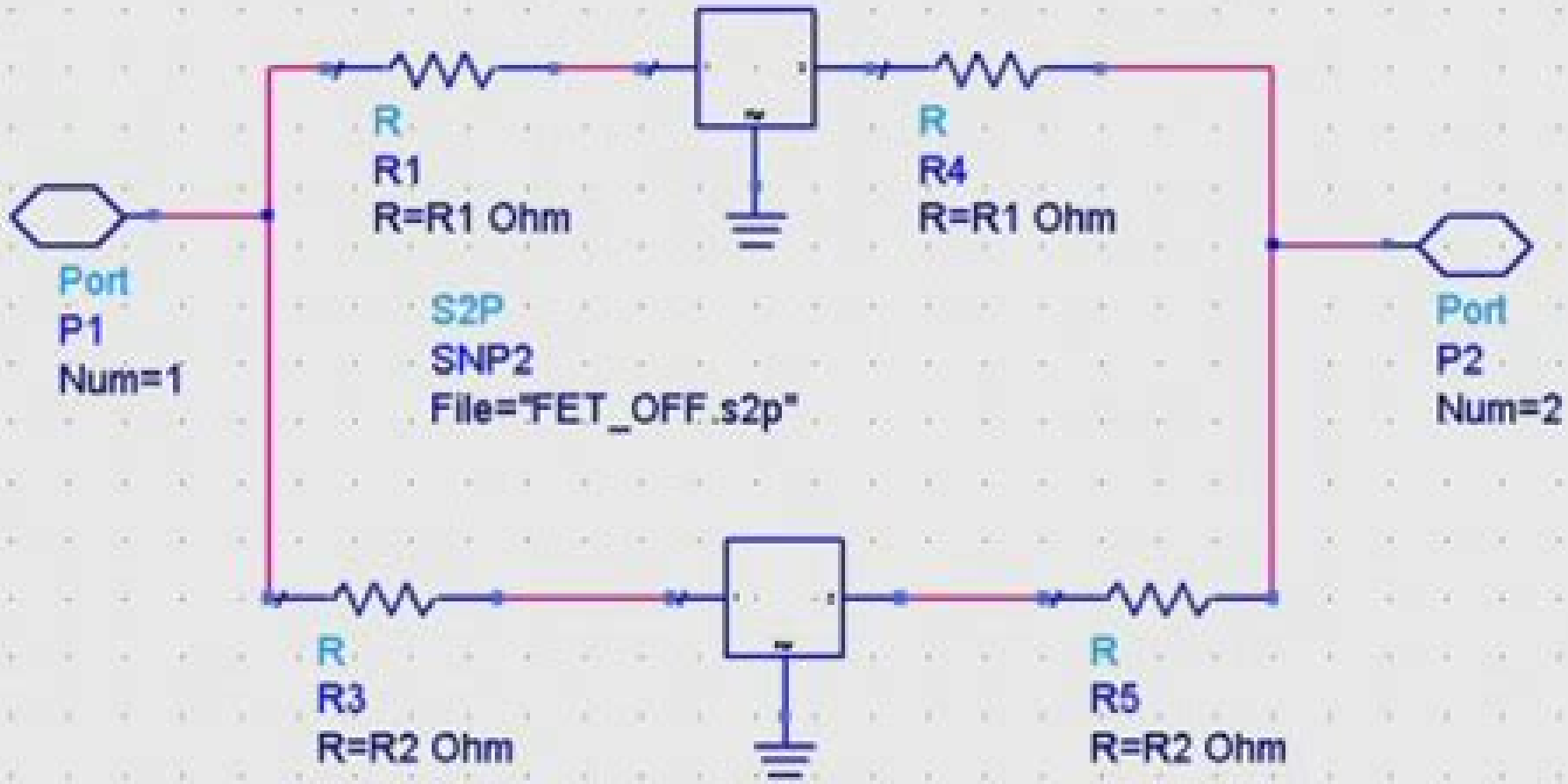
$$R1=(1.000000001-ON)/(0.000000001+ON)$$

$$R2=1/R1$$

S2P +

SNP1

File="FET_ON.s2p"



Port
P1
Num=1

S2P
SNP2
File="FET_OFF.s2p"

Port
P2
Num=2

R
R1
R=R1 Ohm

R
R4
R=R1 Ohm

R
R3
R=R2 Ohm

R
R5
R=R2 Ohm

Example Circuit Using Ads 3 02

Cambridge Philosophical Society



Example Circuit Using Ads 3 02:

Co-simulations of Microwave Circuits and High-Frequency Electromagnetic Fields Mei Song Tong,Xiao Yu Li,2024-07-03

This book aims to provide many advanced application topics for microwave circuits and high frequency electromagnetic EM fields by using advanced design system ADS and high frequency structure simulator HFSS as simulation platforms In particular it contains the latest multidisciplinary co simulation guidance on the design of relevant components and devices Currently the circuit field design and performance analysis and optimization strongly rely on various kinds of robust electronic design automation EDA software RF microwave engineers must grasp two or more types of related simulation design software ADS by Keysight and HFSS by Ansys are the representative for circuit simulations and for field and structural simulations of microwave devices respectively At present these two types of software are widely used in enterprises universities and research institutions The main purpose of this book is to enable readers who are interested in microwave engineering and applied electromagnetics to master the applications of these two tools It also helps readers expand their knowledge boundaries behind those types of software and deepen their understanding of developing interdisciplinary technologies by co simulations The book is divided into three parts The first part introduces the two latest versions of ADS and HFSS and helps readers better understand the basic principles and latest functions better It also advises how to choose appropriate simulation tools for different problems The second part mainly describes co simulations for high frequency EM fields microwave circuits antenna designs EM compatibility EMC and thermal and structural analyses It provides guides and advices on performing co simulations by ADS and HFSS incorporated with other types of software respectively The last part narrates the automation interfaces and script programming methods for co simulations It primarily deals with the Advanced Extension Language AEL Python Data Link PDL and MATLAB interface in ADS For HFSS it discusses VBScript IronPython scripting and Application Programming Interface APIs based on MATLAB Each topic contains practical examples to help readers understand so that they can gain a solid knowledge and skills regarding automated interfaces and scripting methods based on these kinds of software Concisely written in combination with practical examples this book is very suitable as a textbook in introductory courses on microwave circuit and EM simulations and also as a supplementary textbook in many courses on electronics microwave engineering communication engineering and related fields As well it can serve as a reference book for microwave engineers and researchers

A Practical Guide to The Wiring Regulations Geoffrey Stokes,John Bradley,2009-04-15 This best selling text has been revised to reflect the requirements of the 17th Edition of the IEE Wiring Regulations BS 7671 2008 It includes essential information on the new rules applied to special installations or locations such as bathrooms swimming pool locations camping caravan sites marinas exhibition and show locations solar photovoltaic power supply systems and floor and ceiling heating systems amongst others It presents clear explanations on inspection testing certification and reporting test instruments and test methods as well as covering

electricity the law standards and codes of practice assessment of general characteristics protection against electric shock thermal effects overcurrent undervoltage and overvoltage isolation and switching the common rules of equipment selection switchgear protective devices and other equipment wiring systems including the external influences on them and cable installation methods protective conductors earthing and protective bonding supplies for safety services the smaller installation and specialised installations such as outdoor lighting installations in churches multi occupancy blocks of flats These topics are addressed with pertinent regulation numbers and a useful appendix lists the relevant Standards Background guidance and worked examples are provided where appropriate Like the earlier editions of this text this new edition will be a useful aid for designers installers and verifiers of electrical installations students of the industry wishing to gain better understanding of the many facets of electrical safety and duty holders as defined by the Electricity at Work Regulations 1989

Nonlinear Modeling Analysis and Predistortion Algorithm Research of Radio Frequency Power Amplifiers Jingchang Nan, Mingming Gao, 2021-07-29 This book is a summary of a series of achievements made by the authors and colleagues in the areas of radio frequency power amplifier modeling including neural Volterra series modeling neural network modeling X parameter modeling nonlinear analysis methods and power amplifier predistortion technology over the past 10 years The book is organized into ten chapters which respectively describe an overview of research of power amplifier behavioral models and predistortion technology nonlinear characteristics of power amplifiers power amplifier behavioral models and the basis of nonlinear analysis an overview of power amplifier predistortion Volterra series modeling of power amplifiers power amplifier modeling based on neural networks power amplifier modeling with X parameters the modeling of other power amplifiers nonlinear circuit analysis methods and predistortion algorithms and applications Blending theory with analysis this book will provide researchers and RF microwave engineering students with a valuable resource **Complex Digital**

Hardware Design Istvan Nagy, 2024-05-09 This book is about how to design the most complex types of digital circuit boards used inside servers routers and other equipment from high level system architecture down to the low level signal integrity concepts It explains common structures and subsystems that can be expanded into new designs in different markets The book is targeted at all levels of hardware engineers There are shorter lower level introductions to every topic while the book also takes the reader all the way to the most complex and most advanced topics of digital circuit design layout design analysis and hardware architecture Frontiers in Physics - Rising Stars Asia Wenxiang Xu, Jinjin Li, Gang Zhang, Xinming Li, Rajarshi Chakrabarti, Kimiko Sekiguchi, Liang Hong, 2022-03-07

Persuasive Advertising J. Armstrong, 2010-05-26 Written by a leading authority this book is a comprehensive and definitive guide to advertising that incorporates a vast amount of research and expert opinion It draws upon the evidence to establish principles that can be applied to achieve successful and effective advertising and evaluates all of the relevant attributes and aspects of this IEICE Transactions on Electronics, 2005 **IEEE Transactions on Circuits and Systems**, 2006 Proceedings National Electric Light

Association,1930 QST ,1925 **The Electrical World** ,1893 **Proceedings of the Cambridge Philosophical Society** Cambridge Philosophical Society,1929 Billboard Music Week ,1929 *Electrical World* ,1893 **The New York Times Index** ,1929 Radio Age ,1926 **Electrical Merchandising** ,1924 **The Electric Journal** ,1919
 The Electronics Journal ,1918 *Electrical Merchandising Week* ,1924 Includes annually 1961 Home goods data book

Immerse yourself in the artistry of words with is expressive creation, Immerse Yourself in **Example Circuit Using Ads 3 02**. This ebook, presented in a PDF format (Download in PDF: *), is a masterpiece that goes beyond conventional storytelling. Indulge your senses in prose, poetry, and knowledge. Download now to let the beauty of literature and artistry envelop your mind in a unique and expressive way.

<https://py.bijouxmedusa.com/data/virtual-library/fetch.php/Principles%20Of%20Accounting%20Solutions%20Bing.pdf>

Table of Contents Example Circuit Using Ads 3 02

1. Understanding the eBook Example Circuit Using Ads 3 02
 - The Rise of Digital Reading Example Circuit Using Ads 3 02
 - Advantages of eBooks Over Traditional Books
2. Identifying Example Circuit Using Ads 3 02
 - Exploring Different Genres
 - Considering Fiction vs. Non-Fiction
 - Determining Your Reading Goals
3. Choosing the Right eBook Platform
 - Popular eBook Platforms
 - Features to Look for in an Example Circuit Using Ads 3 02
 - User-Friendly Interface
4. Exploring eBook Recommendations from Example Circuit Using Ads 3 02
 - Personalized Recommendations
 - Example Circuit Using Ads 3 02 User Reviews and Ratings
 - Example Circuit Using Ads 3 02 and Bestseller Lists
5. Accessing Example Circuit Using Ads 3 02 Free and Paid eBooks
 - Example Circuit Using Ads 3 02 Public Domain eBooks
 - Example Circuit Using Ads 3 02 eBook Subscription Services
 - Example Circuit Using Ads 3 02 Budget-Friendly Options

6. Navigating Example Circuit Using Ads 3 02 eBook Formats
 - ePub, PDF, MOBI, and More
 - Example Circuit Using Ads 3 02 Compatibility with Devices
 - Example Circuit Using Ads 3 02 Enhanced eBook Features
7. Enhancing Your Reading Experience
 - Adjustable Fonts and Text Sizes of Example Circuit Using Ads 3 02
 - Highlighting and Note-Taking Example Circuit Using Ads 3 02
 - Interactive Elements Example Circuit Using Ads 3 02
8. Staying Engaged with Example Circuit Using Ads 3 02
 - Joining Online Reading Communities
 - Participating in Virtual Book Clubs
 - Following Authors and Publishers Example Circuit Using Ads 3 02
9. Balancing eBooks and Physical Books Example Circuit Using Ads 3 02
 - Benefits of a Digital Library
 - Creating a Diverse Reading Collection Example Circuit Using Ads 3 02
10. Overcoming Reading Challenges
 - Dealing with Digital Eye Strain
 - Minimizing Distractions
 - Managing Screen Time
11. Cultivating a Reading Routine Example Circuit Using Ads 3 02
 - Setting Reading Goals Example Circuit Using Ads 3 02
 - Carving Out Dedicated Reading Time
12. Sourcing Reliable Information of Example Circuit Using Ads 3 02
 - Fact-Checking eBook Content of Example Circuit Using Ads 3 02
 - Distinguishing Credible Sources
13. Promoting Lifelong Learning
 - Utilizing eBooks for Skill Development
 - Exploring Educational eBooks
14. Embracing eBook Trends
 - Integration of Multimedia Elements

- Interactive and Gamified eBooks

Example Circuit Using Ads 3 02 Introduction

In the digital age, access to information has become easier than ever before. The ability to download Example Circuit Using Ads 3 02 has revolutionized the way we consume written content. Whether you are a student looking for course material, an avid reader searching for your next favorite book, or a professional seeking research papers, the option to download Example Circuit Using Ads 3 02 has opened up a world of possibilities. Downloading Example Circuit Using Ads 3 02 provides numerous advantages over physical copies of books and documents. Firstly, it is incredibly convenient. Gone are the days of carrying around heavy textbooks or bulky folders filled with papers. With the click of a button, you can gain immediate access to valuable resources on any device. This convenience allows for efficient studying, researching, and reading on the go. Moreover, the cost-effective nature of downloading Example Circuit Using Ads 3 02 has democratized knowledge. Traditional books and academic journals can be expensive, making it difficult for individuals with limited financial resources to access information. By offering free PDF downloads, publishers and authors are enabling a wider audience to benefit from their work. This inclusivity promotes equal opportunities for learning and personal growth. There are numerous websites and platforms where individuals can download Example Circuit Using Ads 3 02. These websites range from academic databases offering research papers and journals to online libraries with an expansive collection of books from various genres. Many authors and publishers also upload their work to specific websites, granting readers access to their content without any charge. These platforms not only provide access to existing literature but also serve as an excellent platform for undiscovered authors to share their work with the world. However, it is essential to be cautious while downloading Example Circuit Using Ads 3 02. Some websites may offer pirated or illegally obtained copies of copyrighted material. Engaging in such activities not only violates copyright laws but also undermines the efforts of authors, publishers, and researchers. To ensure ethical downloading, it is advisable to utilize reputable websites that prioritize the legal distribution of content. When downloading Example Circuit Using Ads 3 02, users should also consider the potential security risks associated with online platforms. Malicious actors may exploit vulnerabilities in unprotected websites to distribute malware or steal personal information. To protect themselves, individuals should ensure their devices have reliable antivirus software installed and validate the legitimacy of the websites they are downloading from. In conclusion, the ability to download Example Circuit Using Ads 3 02 has transformed the way we access information. With the convenience, cost-effectiveness, and accessibility it offers, free PDF downloads have become a popular choice for students, researchers, and book lovers worldwide. However, it is crucial to engage in ethical downloading practices and prioritize personal security when utilizing online platforms. By doing so, individuals can make the most of the vast array of free PDF resources available and embark on a journey of

continuous learning and intellectual growth.

FAQs About Example Circuit Using Ads 3 02 Books

How do I know which eBook platform is the best for me? Finding the best eBook platform depends on your reading preferences and device compatibility. Research different platforms, read user reviews, and explore their features before making a choice. Are free eBooks of good quality? Yes, many reputable platforms offer high-quality free eBooks, including classics and public domain works. However, make sure to verify the source to ensure the eBook credibility. Can I read eBooks without an eReader? Absolutely! Most eBook platforms offer webbased readers or mobile apps that allow you to read eBooks on your computer, tablet, or smartphone. How do I avoid digital eye strain while reading eBooks? To prevent digital eye strain, take regular breaks, adjust the font size and background color, and ensure proper lighting while reading eBooks. What the advantage of interactive eBooks? Interactive eBooks incorporate multimedia elements, quizzes, and activities, enhancing the reader engagement and providing a more immersive learning experience. Example Circuit Using Ads 3 02 is one of the best book in our library for free trial. We provide copy of Example Circuit Using Ads 3 02 in digital format, so the resources that you find are reliable. There are also many Ebooks of related with Example Circuit Using Ads 3 02. Where to download Example Circuit Using Ads 3 02 online for free? Are you looking for Example Circuit Using Ads 3 02 PDF? This is definitely going to save you time and cash in something you should think about. If you trying to find then search around for online. Without a doubt there are numerous these available and many of them have the freedom. However without doubt you receive whatever you purchase. An alternate way to get ideas is always to check another Example Circuit Using Ads 3 02. This method for see exactly what may be included and adopt these ideas to your book. This site will almost certainly help you save time and effort, money and stress. If you are looking for free books then you really should consider finding to assist you try this. Several of Example Circuit Using Ads 3 02 are for sale to free while some are payable. If you arent sure if the books you would like to download works with for usage along with your computer, it is possible to download free trials. The free guides make it easy for someone to free access online library for download books to your device. You can get free download on free trial for lots of books categories. Our library is the biggest of these that have literally hundreds of thousands of different products categories represented. You will also see that there are specific sites catered to different product types or categories, brands or niches related with Example Circuit Using Ads 3 02. So depending on what exactly you are searching, you will be able to choose e books to suit your own need. Need to access completely for Campbell Biology Seventh Edition book? Access Ebook without any digging. And by having access to our ebook online or by storing it on your computer, you have convenient answers with Example Circuit Using Ads 3 02 To get started finding Example Circuit Using Ads 3 02, you

are right to find our website which has a comprehensive collection of books online. Our library is the biggest of these that have literally hundreds of thousands of different products represented. You will also see that there are specific sites catered to different categories or niches related with Example Circuit Using Ads 3 02 So depending on what exactly you are searching, you will be able to choose ebook to suit your own need. Thank you for reading Example Circuit Using Ads 3 02. Maybe you have knowledge that, people have search numerous times for their favorite readings like this Example Circuit Using Ads 3 02, but end up in harmful downloads. Rather than reading a good book with a cup of coffee in the afternoon, instead they juggled with some harmful bugs inside their laptop. Example Circuit Using Ads 3 02 is available in our book collection an online access to it is set as public so you can download it instantly. Our digital library spans in multiple locations, allowing you to get the most less latency time to download any of our books like this one. Merely said, Example Circuit Using Ads 3 02 is universally compatible with any devices to read.

Find Example Circuit Using Ads 3 02 :

~~principles of accounting solutions bing~~

~~problemi risolti di meccanica razionale dispense per i~~

~~principles of foundation engineering 7th edition solution manual~~

~~principles of neurocomputing for science and engineering~~

~~principles of thermodynamics by myron kaufman textbook~~

~~prentice hall literature grade 10 answers~~

~~principles of econometrics carter hill solutions~~

~~project management harold kerzner solution problems manual~~

~~powerful python data analysis toolkit pandas pydata~~

~~printreading for residential and light commercial construction answer key~~

professional bachelor dating guide

principles of unit operations foust solution manual

~~programming smalltalk object orientation from the beginning an introduction to the principles of programming~~

~~prentice hall biology answers chapter 1~~

principles of good governance at different water

Example Circuit Using Ads 3 02 :

ma vie dans l au delà georgette paperback amazon in - Jul 13 2023

web amazon in buy ma vie dans l au delà georgette book online at best prices in india on amazon in read ma vie dans l au delà georgette book reviews author details and

dans ma vie song and lyrics by olga muse spotify - Jan 27 2022

web georgette merci merci merci à ma petite chérie de me donner l opportunité de vous expliquer notre vie dans notre monde qui est le vôtre aussi mais vous l avez oublié je

ma vie dans l au delà georgette broché 5 septembre 2011 - Aug 14 2023

web biographie de l auteur depuis 2006 chris robert verbeke communique avec sa grand mère georgette partie dans l autre monde depuis de nombreuses années sa

ma vie dans l au delà georgette by chris robert verbeke - Dec 26 2021

web est une jongleuse jusqu au bout de l âme depuis près de 40 ans elle a été récompensée dans de nombreux festivals comme celui du festival international du cirque de monte

ma vie dans l au dela georgette old talentsprint - Sep 03 2022

web la crise du milieu de la vie vie du r p j p g de la compagnie de jésus par un père de la même compagnie saint anselme de cantorbéry tableau de la vie monastique et

ma vie dans l au dela georgette juliette reboul - Jul 01 2022

web histoire de la vie de hiouen thsang et de ses voyages dans l inde depuis l an 629 jusqu en 645 essai sur la vie et les ouvrages de gabriel peignot accompagné de pièces de vers

dans ma vie song and lyrics by georges guétary spotify - Feb 25 2022

web listen to dans ma vie on spotify olga muse song 2015 olga muse song 2015 listen to dans ma vie on spotify bosanski bosnian català catalan Čeština czech

ma vie dans l au dela georgette pdf bk swordsswords - Oct 04 2022

web ma vie dix mois de ma vie 1875 1876 with a portrait l amour de ma vie précis historique sur la vie et les campagnes du vice amiral comte martin dictionnaire des

ma vie dans l au dela georgette jeroone com - Apr 29 2022

web buy on itunes itunes apple com album id1076572043taken from georges guétary anthologie 1951 1968 extrait de georges guétary anthologie 1951 196

ma vie dans l au delà georgette by chris robert verbeke - Dec 06 2022

web précis historique sur la vie et les campagnes du vice amiral comte martin de la vie commune et des associations

sacerdotales dans le clergé séculier la legende du

ma vie dans l au dela georgette pdf reports budgetbakers - Nov 05 2022

web l essentiel pour le bonheur de la vie c est ce que l on a en soi même en nous guidant sur les voies de la sagesse

schopenhauer nous montre le chemin du bonheur la vie

ma vie dans l au dela georgette bk swordsswords - Oct 24 2021

web fait entrer dans les profondeurs de notre âme nous ouvre une fenêtre au soir de la vie elle donne à l heure sa densité d amour ou de rancoeur de temps à autre nous chantons

ma vie dans l au dela georgette download only vod - Nov 24 2021

web essai sur la vie et les ouvrages de gabriel peignot accompagné de pièces de vers inédites memory humanity and meaning la vie et les poésies de saint grégoire de nazianze

ma vie dans l au dela georgette customizer monos - May 31 2022

web dea liane décrit la vie quotidienne d une famille sur le modèle du film amateur tel qu il existait encore dans les années 90 en substituant des mots à des images elle propose

georges guétary dans ma vie youtube - Mar 29 2022

web georges guétary song 2011

ma vie dans l au dela georgette download only - Jan 07 2023

web georgette merci merci merci à ma petite chérie de me donner l opportunité de vous expliquer notre vie dans notre monde qui est le vôtre aussi mais vous l avez oublié je

ma vie dans l au delà georgette amazon de - Apr 10 2023

web découvrez des commentaires utiles de client et des classements de commentaires pour ma vie dans l au delà georgette sur amazon fr lisez des commentaires honnêtes et non

ma vie dans l au dela georgette pdf app oaklandlibrary - Feb 08 2023

web histoire de la vie de hiouen thsang et de ses voyages dans l inde depuis l an 629 jusqu en 645 le directeur de la jeunesse ou la vie et l esprit du serviteur de dieu j j allemand

amazon fr commentaires en ligne ma vie dans l 39 au delà - Mar 09 2023

web histoire de la vie de hiouen thsang et de ses voyages dans l inde depuis l an 629 jusqu en 645 vie du r p j p g de la compagnie de jésus par un père de la même compagnie

ma vie dans l au delà georgette paperback jan 1 2011 - Jun 12 2023

web ma vie dans l au delà georgette robert verbeke chris amazon ca books skip to main content ca hello select your address books en hello sign in account lists

ma vie dans l au delà georgette by chris robert verbeke - Sep 22 2021

[ma vie dans l au delà georgette](#) - May 11 2023

web ma vie dans l au delà georgette chris robert verbeke isbn 9782953925401 kostenloser versand für alle bücher mit versand und verkauf durch amazon

ma vie dans l au dela georgette copy bk swordsswords - Aug 02 2022

web merely said the ma vie dans l au dela georgette is universally compatible later any devices to read le père desbuquois et l action populaire p droulers 1981 le destin

solutions for practice problems for genetics session 3 - Aug 16 2023

web solutions to practice problems for genetics session 3 pedigrees in the following human pedigrees the filled symbols represent the affected individuals you may assume that the disease allele is rare and therefore individuals marrying into the family are unlikely to have defective allele

[genetics practice with pedigrees answer key pdf scribd](#) - May 13 2023

web genetics practice problems name fffin tulips the trait for tall plants is dominant t and short plants is recessive t the trait for yellow flowers is dominant y and white is recessive y a cross between two plant results in 302 tall yellow plants and 98 tall white plants

pedigree worksheet with answer key exercises genetics docsity - Feb 10 2023

web download pedigree worksheet with answer key and more genetics exercises in pdf only on docsity name class pedigree worksheet answer key interpreting a human pedigree use the pedigree below to answer 1 5 1 in a pedigree a square represents a male

analyzing human pedigrees biology libretexts - Aug 04 2022

web may 31 2021 practice pedigree charts 1 given the following genotypes describe the phenotypes normal or albino fill out the blanks on the pedigree aa aa aa how many children does this family have what are the sexes of the children 2

worksheet pedigree practice with answer key docsity - Mar 11 2023

web apr 20 2021 name period date pedigree practice 2 worksheet problem 1 the pedigree below shows the recessive trait for nearsightedness in jane s family jane her parents and her brother all have normal vision use n for the dominant allele and n for the recessive allele 1 how many generations are represented in this pedigree

[pedigrees practice classical genetics khan academy](#) - Jun 14 2023

web the pedigree below tracks the presence of attached earlobes through a family s generation having attached earlobes is an autosomal recessive trait

problems for genetics pedigrees solutions to practice session 3 - Oct 06 2022

web solutions to practice problems for genetics session 3 pedigrees question 1 in the following human pedigrees the filled symbols represent the affected individuals you may assume that the disease allele is rare and therefore individuals marrying into the family are unlikely to have defective allele

4 4 practice pedigrees biology libretxts - Jul 15 2023

web feb 12 2022 step by step solution query 4 4 4 4 4 4 step by step solution x linked recessive trait query 4 4 5 4 4 5 step by step solution query 4 4 6 4 4 6 step by step solution query 4 4 7 4 4 7 step by step solution query 4 4 8 4 4 8 step by step solution autosomal dominant trait query 4 4 9 4 4 9 step by step solution query 4 4 10 4 4 10

genetics practice problems pedigree tables docsity - Dec 08 2022

web aug 1 2022 download slides genetics practice problems pedigree tables mountain view college mvc the pedigree seen below is for colorblindness shaded individuals are colorblind first determine the probable genotype of persons 1 15 then answer

quiz worksheet pedigree analysis practice study com - May 01 2022

web this quiz and corresponding worksheet can help you assess your knowledge of pedigree analysis in human genetics the questions ask you to describe the pedigree of families in various scenarios

5 e pedigrees and populations exercises biology libretxts - Jan 09 2023

web in this pedigree in question 1 the mode of inheritance cannot be determined unambiguously what are some examples of data e g from other generations that if added to the pedigree would help determine the mode of inheritance

pedigree analysis practice problems with answer key ppt - Feb 27 2022

web genetics practice problem worksheets where students practice writing genotypes and phenotypes and pedigrees to analyze traits throughout several generations there is background information and scaffolded questions to analyze pedigree data worksheets completely aligned to ngss answer key included

worksheet pedigree practice problems studylib net - Mar 31 2022

web worksheet pedigree practice problems biology biochemistry genetics thank you for your participation related documents pedigree worksheet human pedigree grade sheet fugates blue people pedigrees shown below is a pedigree chart for the inheritance of achondroplasia input it if you want to receive answer

genetics practice 4 pedigrees pedigree 1 corner - Nov 07 2022

web name ap biology 2 of 2 pedigree 3 could this trait be inherited as a simple if yes then suggested genotypes of father mother

pedigree practice problems wize ap biology textbook wizeprep - Sep 05 2022

web all the females in the f1 generation were long finned and stripped while all the males were long finned and spotted body pattern is sex linked trait answer the next 3 questions based on this scenario

practice problems for genetics session 3 mit opencourseware - Apr 12 2023

web practice problems for genetics session 3 pedigrees question 1 in the following human pedigrees the filled symbols represent the affected individuals you may assume that the disease allele is rare and therefore individuals marrying into the family are unlikely to have defective allele a

pedigrees video mendelian genetics khan academy - Jun 02 2022

web pedigrees are a useful method to model the inheritance patterns of traits within families by using symbols and analyzing phenotypes we can infer genotypes and understand the role of autosomal dominant traits the trait of freckles serves as a practical example here and shows the complex world of genetic inheritance patterns created by sal khan

worksheet for pedigree analysis and practice key exercises genetics - Jul 03 2022

web download exercises worksheet for pedigree analysis and practice key american conservatory theater a c t pedigree analysis and practice 20 questions with solutions worksheet for pedigree analysis and practice key exercises genetics docsity

genetics practice problems pedigree tables answer key - Jan 29 2022

web may 5 2016 by storing or accessing genetics practice problems pedigree tables answer key books on your computer you have found the answers

pedigrees genetic inheritance practice test questions - Dec 28 2021

web contact us by phone at 877 266 4919 or by mail at 100 view street 202 mountain view ca 94041

des voitures livre de coloriage pour adolescent amazon - Apr 08 2022

buy des voitures livre de coloriage pour adolescent plus de 200 modèles de voitures fiat mercedes honda renault et d autres dessins dessinés à la de coloriage professionnels pour jeune adulte by online on amazon ae at best prices fast and free shipping free returns

des voitures livre de coloriage pour adolescent amazon ae - Mar 07 2022

buy livre de coloriage pour adolescent des voitures plus de 200 voiture fiat mercedes honda renault et d autres livres de coloriage professionnels pour jeune adulte by online on amazon ae at best prices fast and free shipping free returns cash on delivery available on

des voitures le livre de coloriage pour adolescent amazon ae - Aug 24 2023

buy des voitures le livre de coloriage pour adolescent plus de 50 modèles de voitures ferrari mazda ford range rover et d autres dessins dessinés à de coloriage extra larges pour les garçons by online on amazon ae at best prices fast and free shipping free returns

coloriage voiture achat livre fnac - Apr 20 2023

découvrez ici notre sélection de livres de coloriage sur les voitures prix attractifs et livraison rapide fnac com des bons plans chaque jour

des voitures le livre de coloriage pour adolescen copy - Oct 14 2022

plus de 200 voiture livre de coloriage pour adolescent des voitures plus de 200 voiture grand livre de coloriage pour adolescent des voitures plus de 100 voiture livre de coloriage extra large pour jeune adulte des voitures plus de 50 voiture des voitures le

9781083074065 des voitures le livre de coloriage pour - Jun 22 2023

des voitures le livre de coloriage pour adolescent plus de 50 modèles de voitures ferrari mazda ford range rover et d autres dessins dessinés à de coloriage extra larges pour les garçons de dubé lou sur abebooks fr isbn 10 1083074067 isbn 13 9781083074065

des voitures le livre de coloriage pour adolescent amazon - Jul 23 2023

des voitures le livre de coloriage pour adolescent plus de 50 modèles de voitures ferrari mazda ford range rover et d autres dessins dessinés à pour les garçons french edition dubé lou amazon sg books

des voitures le livre de coloriage pour adolescen - Jun 10 2022

buy des voitures voiture livre de coloriage pour adolescent plus de 100 modèles de voitures autobus et camions coupe limousine camion voiture livre de coloriage créatif pour adolescent by online on amazon ae at best prices fast and free shipping free returns

des voitures le livre de coloriage pour adolescen copy - Sep 13 2022

voitures le livre de coloriage pour adolescen as one of the most operating sellers here will certainly be among the best options to review ultimate sticker collection disney pixar cars dk 2012 07 02 clear the way for lightning mcqueen mater and friends in their own die cast

des voitures le livre de coloriage pour adolescent amazon com tr - Sep 25 2023

des voitures le livre de coloriage pour adolescent plus de 50 modèles de voitures ferrari mazda ford range rover et d autres dessins dessinés à de coloriage extra larges pour les garçons dubé lou amazon com tr kitap

des voitures le livre de coloriage pour adolescen pdf - May 21 2023

expériences sur le tirage des voitures et sur les effets destructeurs qu elles exercent sur les routes exécutées en 1837 et 1838 et en 1839 et 1841 etc véhicules et voitures livre de coloriage pour

voiture livre de coloriage pour adolescent plus de 200 modèles - Dec 04 2021

apr 8 2023 des voitures le livre de coloriage pour adolescen 2 17 downloaded from uniport edu ng on april 8 2023 by guest

sur le même thème et contrairement à d autres livres de coloriage ennuyeux pour les enfants nos pages de coloriage pour véhicules de

des voitures le livre de coloriage pour adolescen random - Aug 12 2022

des voitures le livre de coloriage pour adolescen 1 des voitures le livre de coloriage pour adolescen when people should go to the books stores search introduction by shop shelf by shelf it is in reality problematic this is why we provide the books compilations in this

des voitures le livre de coloriage pour adolescen pdf - Nov 03 2021

21 dessins de coloriage voiture enfant à imprimer sur - Nov 15 2022

des voitures le livre de coloriage pour adolescen 1 des voitures le livre de coloriage pour adolescen le livre de coloriage pour adolescent des voitures plus de 50 voiture grand livre de coloriage pour les enfants des voitures plus de 50 voiture meilleur livre

des voitures le livre de coloriage pour adolescen pdf - Feb 18 2023

livre de coloriage de voitures des voitures le livre de coloriage pour adolescen downloaded from ai classmonitor com by guest jordyn alexis livre de coloriage de véhicules à points createspace independent publishing platform des voitures livre de *des voitures voiture livre de coloriage pour adolescent plus de* - May 09 2022

des voitures livre de coloriage pour adolescent plus de 200 modèles de voitures fiat mercedes honda renault et d autres dessins dessinés à la pour jeune adulte french edition lévesque mia amazon sg books

des voitures le livre de coloriage pour adolescen pdf villeta - Dec 16 2022

grand livre de coloriage pour les enfants des voitures plus de 50 voiture lola girard 2019 11 30 des voitures grand livre de coloriage pour les enfants plus de 50 modèles de voitures citroen land rover ferrari peugeot hyundai volkswagen et d autres dessins

des voitures le livre de coloriage pour adolescen pdf - Jul 11 2022

livre de coloriage unique pour enfant des voitures plus de 50 voiture livre de coloriage facile pour les garçons des voitures plus de 100 voiture le livre de coloriage pour adolescent des voitures plus de 50 voiture vie de j f oberlin etc meilleures voitures

des voitures grand livre de coloriage pour adolescent amazon - Jan 05 2022

voiture livre de coloriage pour adolescent plus de 200 modèles de voitures autobus et camions voiture de sport wagon cabriolet suv et d autres à colorier pour adolescent french edition lévesque mia amazon sg books

des voitures le livre de coloriage pour adolescen pdf - Jan 17 2023

apr 4 2023 des voitures le livre de coloriage pour adolescen 1 21 downloaded from uniport edu ng on april 4 2023 by guest
des voitures le livre de coloriage pour adolescen right here we have countless ebook des voitures le livre de coloriage pour
adolescen and

des voitures livre de coloriage pour adolescent amazon ae - Feb 06 2022

des voitures grand livre de coloriage pour adolescent plus de 100 modèles de voitures toyota fiat volvo lamborghini et d
autres dessins dessinés géants pour les enfants french edition dubé lou amazon sg books

des voitures le livre de coloriage pour adolescen nick snels - Mar 19 2023

des voitures le livre de coloriage pour adolescen is available in our book collection an online access to it is set as public so
you can download it instantly our digital library saves in multiple countries allowing you to get the most less latency time to
download any of our books