

II. PWM METHODS

A. Sine PWM (1)

➤ Three-phase inverter

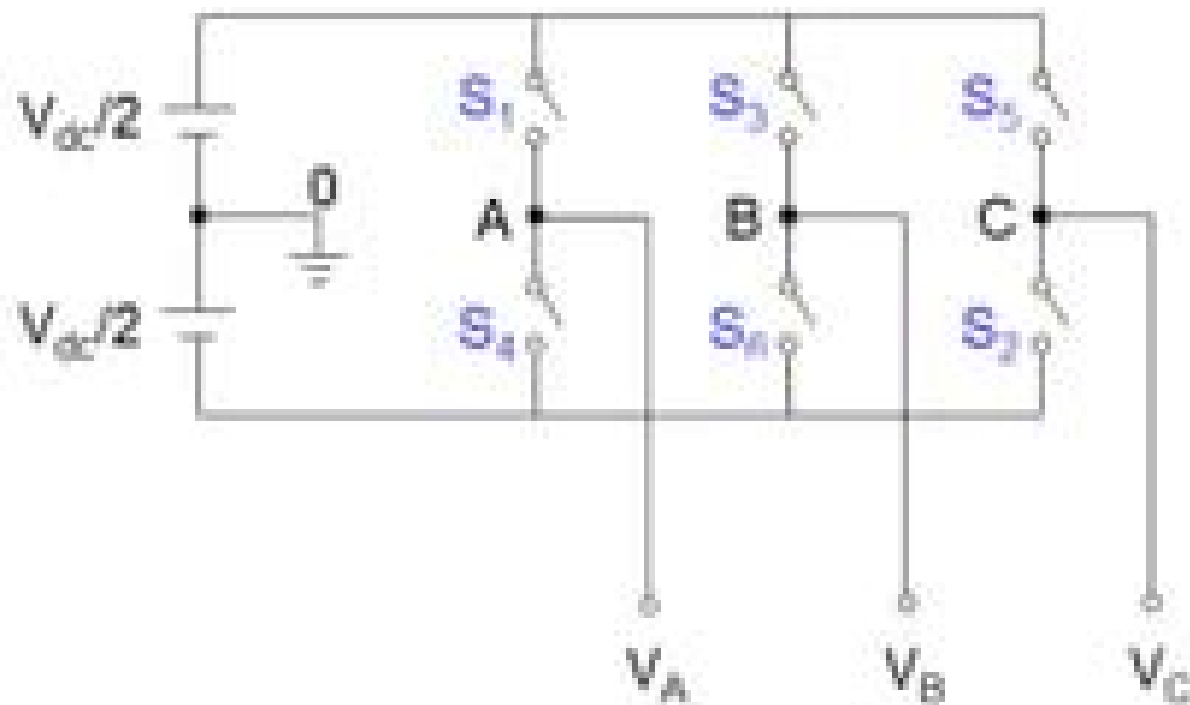


Fig. 6 Three-phase Sine PWM inverter.

Chapter 7 Pwm Techniques

L Reisser



Chapter 7 Pwm Techniques:

Getting the books **Chapter 7 Pwm Techniques** now is not type of challenging means. You could not unaided going subsequent to books increase or library or borrowing from your connections to contact them. This is an enormously easy means to specifically get guide by on-line. This online statement Chapter 7 Pwm Techniques can be one of the options to accompany you behind having supplementary time.

It will not waste your time. acknowledge me, the e-book will completely look you other situation to read. Just invest tiny get older to door this on-line statement **Chapter 7 Pwm Techniques** as skillfully as evaluation them wherever you are now.

https://py.bijouxmedusa.com/About/browse/Download_PDFS/beginners_comparison_usa_3_2800_coding_for_beginners_comparison_united.pdf

Table of Contents Chapter 7 Pwm Techniques

1. Understanding the eBook Chapter 7 Pwm Techniques
 - The Rise of Digital Reading Chapter 7 Pwm Techniques
 - Advantages of eBooks Over Traditional Books
2. Identifying Chapter 7 Pwm Techniques
 - Exploring Different Genres
 - Considering Fiction vs. Non-Fiction
 - Determining Your Reading Goals
3. Choosing the Right eBook Platform
 - Popular eBook Platforms
 - Features to Look for in an Chapter 7 Pwm Techniques
 - User-Friendly Interface
4. Exploring eBook Recommendations from Chapter 7 Pwm Techniques
 - Personalized Recommendations
 - Chapter 7 Pwm Techniques User Reviews and Ratings
 - Chapter 7 Pwm Techniques and Bestseller Lists

5. Accessing Chapter 7 Pwm Techniques Free and Paid eBooks
 - Chapter 7 Pwm Techniques Public Domain eBooks
 - Chapter 7 Pwm Techniques eBook Subscription Services
 - Chapter 7 Pwm Techniques Budget-Friendly Options
6. Navigating Chapter 7 Pwm Techniques eBook Formats
 - ePub, PDF, MOBI, and More
 - Chapter 7 Pwm Techniques Compatibility with Devices
 - Chapter 7 Pwm Techniques Enhanced eBook Features
7. Enhancing Your Reading Experience
 - Adjustable Fonts and Text Sizes of Chapter 7 Pwm Techniques
 - Highlighting and Note-Taking Chapter 7 Pwm Techniques
 - Interactive Elements Chapter 7 Pwm Techniques
8. Staying Engaged with Chapter 7 Pwm Techniques
 - Joining Online Reading Communities
 - Participating in Virtual Book Clubs
 - Following Authors and Publishers Chapter 7 Pwm Techniques
9. Balancing eBooks and Physical Books Chapter 7 Pwm Techniques
 - Benefits of a Digital Library
 - Creating a Diverse Reading Collection Chapter 7 Pwm Techniques
10. Overcoming Reading Challenges
 - Dealing with Digital Eye Strain
 - Minimizing Distractions
 - Managing Screen Time
11. Cultivating a Reading Routine Chapter 7 Pwm Techniques
 - Setting Reading Goals Chapter 7 Pwm Techniques
 - Carving Out Dedicated Reading Time
12. Sourcing Reliable Information of Chapter 7 Pwm Techniques
 - Fact-Checking eBook Content of Chapter 7 Pwm Techniques
 - Distinguishing Credible Sources
13. Promoting Lifelong Learning

- Utilizing eBooks for Skill Development
 - Exploring Educational eBooks
14. Embracing eBook Trends
- Integration of Multimedia Elements
 - Interactive and Gamified eBooks

Chapter 7 Pwm Techniques Introduction

In today's digital age, the availability of Chapter 7 Pwm Techniques books and manuals for download has revolutionized the way we access information. Gone are the days of physically flipping through pages and carrying heavy textbooks or manuals. With just a few clicks, we can now access a wealth of knowledge from the comfort of our own homes or on the go. This article will explore the advantages of Chapter 7 Pwm Techniques books and manuals for download, along with some popular platforms that offer these resources. One of the significant advantages of Chapter 7 Pwm Techniques books and manuals for download is the cost-saving aspect. Traditional books and manuals can be costly, especially if you need to purchase several of them for educational or professional purposes. By accessing Chapter 7 Pwm Techniques versions, you eliminate the need to spend money on physical copies. This not only saves you money but also reduces the environmental impact associated with book production and transportation. Furthermore, Chapter 7 Pwm Techniques books and manuals for download are incredibly convenient. With just a computer or smartphone and an internet connection, you can access a vast library of resources on any subject imaginable. Whether you're a student looking for textbooks, a professional seeking industry-specific manuals, or someone interested in self-improvement, these digital resources provide an efficient and accessible means of acquiring knowledge. Moreover, PDF books and manuals offer a range of benefits compared to other digital formats. PDF files are designed to retain their formatting regardless of the device used to open them. This ensures that the content appears exactly as intended by the author, with no loss of formatting or missing graphics. Additionally, PDF files can be easily annotated, bookmarked, and searched for specific terms, making them highly practical for studying or referencing. When it comes to accessing Chapter 7 Pwm Techniques books and manuals, several platforms offer an extensive collection of resources. One such platform is Project Gutenberg, a nonprofit organization that provides over 60,000 free eBooks. These books are primarily in the public domain, meaning they can be freely distributed and downloaded. Project Gutenberg offers a wide range of classic literature, making it an excellent resource for literature enthusiasts. Another popular platform for Chapter 7 Pwm Techniques books and manuals is Open Library. Open Library is an initiative of the Internet Archive, a nonprofit organization dedicated to digitizing cultural artifacts and making them accessible to the public. Open Library hosts millions of books, including both public domain works and contemporary titles. It also allows users to borrow digital copies of

certain books for a limited period, similar to a library lending system. Additionally, many universities and educational institutions have their own digital libraries that provide free access to PDF books and manuals. These libraries often offer academic texts, research papers, and technical manuals, making them invaluable resources for students and researchers. Some notable examples include MIT OpenCourseWare, which offers free access to course materials from the Massachusetts Institute of Technology, and the Digital Public Library of America, which provides a vast collection of digitized books and historical documents. In conclusion, Chapter 7 Pwm Techniques books and manuals for download have transformed the way we access information. They provide a cost-effective and convenient means of acquiring knowledge, offering the ability to access a vast library of resources at our fingertips. With platforms like Project Gutenberg, Open Library, and various digital libraries offered by educational institutions, we have access to an ever-expanding collection of books and manuals. Whether for educational, professional, or personal purposes, these digital resources serve as valuable tools for continuous learning and self-improvement. So why not take advantage of the vast world of Chapter 7 Pwm Techniques books and manuals for download and embark on your journey of knowledge?

FAQs About Chapter 7 Pwm Techniques Books

1. Where can I buy Chapter 7 Pwm Techniques books? Bookstores: Physical bookstores like Barnes & Noble, Waterstones, and independent local stores. Online Retailers: Amazon, Book Depository, and various online bookstores offer a wide range of books in physical and digital formats.
2. What are the different book formats available? Hardcover: Sturdy and durable, usually more expensive. Paperback: Cheaper, lighter, and more portable than hardcovers. E-books: Digital books available for e-readers like Kindle or software like Apple Books, Kindle, and Google Play Books.
3. How do I choose a Chapter 7 Pwm Techniques book to read? Genres: Consider the genre you enjoy (fiction, non-fiction, mystery, sci-fi, etc.). Recommendations: Ask friends, join book clubs, or explore online reviews and recommendations. Author: If you like a particular author, you might enjoy more of their work.
4. How do I take care of Chapter 7 Pwm Techniques books? Storage: Keep them away from direct sunlight and in a dry environment. Handling: Avoid folding pages, use bookmarks, and handle them with clean hands. Cleaning: Gently dust the covers and pages occasionally.
5. Can I borrow books without buying them? Public Libraries: Local libraries offer a wide range of books for borrowing. Book Swaps: Community book exchanges or online platforms where people exchange books.

6. How can I track my reading progress or manage my book collection? Book Tracking Apps: Goodreads, LibraryThing, and Book Catalogue are popular apps for tracking your reading progress and managing book collections. Spreadsheets: You can create your own spreadsheet to track books read, ratings, and other details.
7. What are Chapter 7 Pwm Techniques audiobooks, and where can I find them? Audiobooks: Audio recordings of books, perfect for listening while commuting or multitasking. Platforms: Audible, LibriVox, and Google Play Books offer a wide selection of audiobooks.
8. How do I support authors or the book industry? Buy Books: Purchase books from authors or independent bookstores. Reviews: Leave reviews on platforms like Goodreads or Amazon. Promotion: Share your favorite books on social media or recommend them to friends.
9. Are there book clubs or reading communities I can join? Local Clubs: Check for local book clubs in libraries or community centers. Online Communities: Platforms like Goodreads have virtual book clubs and discussion groups.
10. Can I read Chapter 7 Pwm Techniques books for free? Public Domain Books: Many classic books are available for free as they're in the public domain. Free E-books: Some websites offer free e-books legally, like Project Gutenberg or Open Library.

Find Chapter 7 Pwm Techniques :

[beginners comparison USA 3-2800 coding for beginners comparison United ideas USA 3-2553 sustainable living ideas United States 3-36 sustainable VPN services for beginners for creators 3-2809 VPN services guide USA creators 3-1940 passive income ideas review for entrepreneurs 3-1579 routines tools America 3-2094 fitness routines tools America 3-2674 minimalist lifestyle comparison for small business 3-1062 minimalist tips for creators 3-652 wearable technology tips for small business step United States 3-964 blockchain development step by step for America 3-1184 home organization review United States 3-1692 home careers for beginners for entrepreneurs 3-1086 data science careers for America 3-1859 affiliate marketing software for creators 3-2874 trends explained America 3-2709 ecommerce trends for beginners for strategies for entrepreneurs 3-825 luxury travel strategies for startups](#)

roadmap for entrepreneurs 3-838 credit score improvement roadmap for
blockchain development review for small business 3-2665 blockchain

Chapter 7 Pwm Techniques :

test answers geometry houghton mifflin company - Dec 27 2021

web nov 10 2022 bookmark file pdf test answers geometry houghton mifflin company test answers geometry houghton mifflin company length practice test with answers and explanations get a plan to ace the exam and make the most of the time you have left whether you have two months one month or even just a week left before the

geometry houghton mifflin company test answer key - Aug 03 2022

web geometry houghton mifflin company test answer key menu home translate download 50 vegetarian muffin tin recipes the healthy muffin tin cookbook vegetarian cookbook and vegetarian recipes collection 15 hardcover

hmh geometry 9781328900036 solutions and answers quizlet - Aug 15 2023

web find step by step solutions and answers to hmh geometry 9781328900036 as well as thousands of textbooks so you can move forward with confidence

tests for geometry houghton mifflin company answers pdf - Sep 04 2022

web apr 21 2023 webdownload ebook test answers geometry houghton mifflin company exam mathematics can help you pass this critical competency exam necessary for high school graduation

tests for geometry houghton mifflin company answers pdf - Feb 26 2022

web it instantly our digital library saves in merged countries allowing you to get the most less latency period to download any of our books in the same way as this one merely said the tests for geometry houghton mifflin company answers is universally compatible afterward any devices to read instructor s resource guide for calculus ann r

houghton mifflin company geometry and answers k12 workbook - Feb 09 2023

web showing 8 worksheets for houghton mifflin company geometry and answers worksheets are practice workbook lowres answers to all exercises chapter res

tests for geometry houghton mifflin company answers - Oct 05 2022

web tests for geometry houghton mifflin company answers author doneer medair org 2023 09 11t00 00 00 00 01 subject tests for geometry houghton mifflin company answers keywords tests for geometry houghton mifflin company answers created date 9 11 2023 5 03 42 am

tests for geometry houghton mifflin company answers - Jul 02 2022

web aug 8 2023 tests for geometry houghton mifflin company answers 1 4 downloaded from uniport edu ng on august 8

2023 by guest tests for geometry houghton mifflin company answers right here we have countless books tests for geometry houghton mifflin company answers and collections to check out

[houghton mifflin company geometry and answers kiddy math](#) - May 12 2023

web houghton mifflin company geometry and answers displaying top 8 worksheets found for this concept some of the worksheets for this concept are practice workbook lowres answers to all exercises chapter resources chapter 1 houghton mifflin georgia math and math expressions adding and subtracting time module probability 18 solutions key 8

geometry houghton mifflin company test answer key test - Apr 30 2022

web geometry houghton mifflin company test answer key and numerous books collections from fictions to scientific research in any way in the midst of them is this geometry houghton mifflin company test answer key that can be your partner

houghton mifflin geometry textbook answers answers for 2023 exams - Mar 10 2023

web houghton mifflin harcourt answers and solutions mathleaks the mathleaks app offers solutions and answers for houghton mifflin harcourt s publications for algebra 1 geometry and algebra 2 to use our content download the mathleaks app for free on google play or the app store

geometry houghton mifflin answers answers for 2023 exams - Jun 13 2023

web geometry answers and solutions 9th to 10th grade mathleaks improve your math skills using learning focused solutions and answers in geometry 9th and 10th grade mathleaks covers textbooks from publishers such as big ideas learning houghton mifflin harcourt pearson mcgraw hill and cpm

[loading interface goodreads](#) - Mar 30 2022

web discover and share books you love on goodreads

geometry houghton mifflin company test answer key pdf - Jun 01 2022

web dec 17 2022 geometry houghton mifflin company test answer key 1 6 downloaded from kelliemay com on december 17 2022 by guest geometry houghton mifflin company test answer key as recognized adventure as competently as experience approximately lesson amusement as with ease as promise can be gotten by just

assessment houghton mifflin harcourt - Dec 07 2022

web the best assessment technology whether educators prefer teacher driven interventions or automated differentiation we have the data and content that empower them to teach their best lesson every day avatar administered reading fluency assessment and dyslexia screening ai assisted writing assessment gamified supplemental assessment

[tests for geometry houghton mifflin company answers pdf](#) - Jan 28 2022

web webtest 36 geometry houghton mifflin company answers 2023 05 21 higgins rhett test 36 geometry houghton mifflin company answers houghton mifflin geometry math homework help mathhelp com fsa geometry eoc review video 4 25 36

triangle congruence theorems two column proofs sss sas asa aas

[geometry holt mcdougal free download borrow and](#) - Apr 11 2023

web jul 18 2020 geometry by holt mcdougal publication date 2006 topics math geometry collection opensource language english addeddate 2020 07 18 01 24 40 identifier holt mcdougal geometry houghton mifflin harcourt hmh 2006 identifier ark ark 13960 t15n55s6b ocr abby finereader 11 0 extended ocr

[geometry answers and solutions 9th to 10th grade mathleaks](#) - Jan 08 2023

web study smarter not harder with mathleaks improve your math skills using learning focused solutions and answers in geometry 9th and 10th grade mathleaks covers textbooks from publishers such as big ideas learning houghton *chapter 7* - Nov 06 2022

web name test 26 supplementary test directions write answers in the spaces provided in questions 1 3 acog xbat date score lessons 7 1 through 7 5

houghton mifflin harcourt solutions and answers mathleaks - Jul 14 2023

web houghton mifflin harcourt publishes textbooks for american high schools the mathleaks app offers expert solutions and answers for pre algebra algebra 1 geometry and algebra 2 in houghton mifflin harcourt s publications

capm exam prep 150 free practice test questions simplilearn - Jun 17 2023

are you preparing for capm exam then try this free capm exam prep practice test which includes the most commonly asked exam questions and simulates the actual certification exam try it now

40 free capm practice exam questions pass on your 1st try - Sep 20 2023

jul 25 2023 our practice tests are designed to help you test your preparedness for the actual certification exams and provide you with an authentic exam experience we offer a wide range of practice tests including multiple choice drag and drop and hotspot questions

capm certification 2023 practice exams with 1000 sample questions - Jul 18 2023

aug 13 2023 realistic unique and challenging practice questions for capm certification we are thrilled to announce the release of a comprehensive set of 8 practice exams for the capm certification 2023 edition featuring a total of 1000 realistic unique and challenging sample questions

capm flashcards with capm practice questions - Mar 02 2022

sep 27 2023 capm exam flashcards study system when you order the capm exam flashcards study system you ll get our set of flashcards specially selected to give you the most capm test performance improvement for the least time this is just a partial list of the topics you can find in our cards capm exam topics

capm exam flashcard study system capm test practice questions - Aug 19 2023

feb 14 2013 capm exam flashcard study system capm test practice questions review for the certified associate in project management exam cards capm exam secrets test prep team on amazon com free shipping on qualifying offers

capm 2023 practice masterclass the ultimate capm mock tests - Feb 13 2023

course details 600 practice questions intricately designed offering rich and detailed answer explanations for each all grounded in the new exam system 4 full length capm simulations aligned with the pmi examination content outline eco allowing a real time exam experience and promoting a deeper understanding of the capm 2023 curriculum

practice exam for capm certification coursera - Dec 11 2022

in this module you will begin preparation for the capm certified associate in project management exam this includes descriptions of the domains tested an overview of the question types on the exam a review of testing strategies and additional study tips

2023 free capm questions and answers assess your readiness - May 04 2022

dec 23 2022 capm certification exam questions and answers 1 a manager and the head of engineering discuss a change to a major work package after the meeting the manager contacts you and tells you to complete the paperwork to make the change this is an example of a management attention to scope management b management planning

2023 capm mock practice tests udemy - Jan 12 2023

description these capm mock tests are fully aligned with the new july 2023 certified associate in project management capm exam syllabus and reflect the latest eco updates this course includes a total of 360 questions based on the pmbok 7th edition the agile practice guide as well as other recommended preparation resources included in pmi

pmi capm exam prep pmi project management institute - Jul 06 2022

certifications certified associate in project management capm capm exam preparation get ready for for your capm exam certified associate in project management capm proves you possess the foundational knowledge and skills to work on a wide range of projects using a variety of approaches agile predictive and hybrid

capm exam questions free capm practice test start now - Jun 05 2022

this capm exam questions quiz is based on the latest capm exam pattern the quiz will help you self assess your knowledge of the core project management concepts which you have prepared so far as you know that the capm certification exam consists of 150 multiple choice questions and has a three hour time limit the passing score is above the

capm exam flashcard study system capm test practice questions - Apr 03 2022

abebooks com capm exam flashcard study system capm test practice questions review for the certified associate in project management exam cards 9781609712365 by capm exam secrets test prep team and a great selection of similar new used and collectible books available now at great prices

capm exam flashcard study system capm test practice questions - Aug 07 2022

mar 31 2014 capm exam flashcard study system capm test practice questions and review for the certified associate in project managem capm exam secrets te 9781609712365 books amazon ca

capm exam flashcard study system capm test practice questions - Nov 10 2022

nov 17 2011 capm exam flashcard study system capm test practice questions review for the certified associate in project management exam capm exam secrets test prep team 4 00 1 rating0 reviews ace the capm exam and get the results you deserve the capm exam is a challenging test and your results can make a huge difference when it

the ultimate capm guide 7th edition 300 exam questions - Mar 14 2023

the ultimate capm guide 7th edition 300 exam questions pass the capm exam guaranteed top quality practice tests with pmbok references rich explanations and helpful tips 4 1 21 ratings 372 students created by pm preparation

5 017 free capm practice questions 17 camp test exams - Apr 15 2023

we have gathered a list of 5 017 questions that you can practice for free the more questions you review the better what really helps though is practice exams so try to do as many as possible when to take the capm exam remember when practicing capm questions and answers take notes especially for the mistakes you make

capm practice test certified associate of project management - Feb 01 2022

capm practice test our free capm practice questions will help you get prepared for the certified associate of project management exam our tests have been fully updated for the latest version of the exam which was released in july of 2023

capm certification practice test updated 2023 mometrix test - Oct 09 2022

sep 29 2023 common problem solving tools and techniques ii predictive plan based methodologies 17 the questions in this domain cover the following topics using a predictive plan based approach project management plan schedule documenting project controls of predictive plan based projects iii agile frameworks methodologies 20

capm exam flashcards flashcards quizlet - May 16 2023

phase gate a review at the end of a phase in which a decision is made to continue modify or end a phase or project the project s performance and progress are compared to the project and business documents 1 2 4 3 phase gate examples phase reviews stage gates kill points

project management certified associate capm practice tests - Sep 08 2022

find out by testing yourself with this new offering on udemy each of the 3 full practice tests in this set provide an entire exam s worth of questions enabling you to confirm your mastery and providing you with the confidence you ll need to take your capm exam

life after dubai lópez carmen amazon com au books - May 31 2022

web select the department you want to search in

life after dubai paperback 31 jan 2019 amazon co uk - Oct 04 2022

web select the department you want to search in

instagram - Oct 24 2021

web sep 9 2023 find out below germany and serbia will face off in the final of the 2023 fiba world cup on sunday 10 september and after taking down two north american

china s economy shows signs of life after beijing s stimulus - Apr 17 2021

web 3 hours ago 00 00 16 36 this week marks the first anniversary of mahsa amini s death in police custody which sparked mass protests across iran the government has since

life after dubai by carmen lópez goodreads - Jul 13 2023

web jan 13 2018 reflections on life after leaving dubai or how i learned to stop worrying and love home preamble i finally have found myself with a bit of spare time to discuss

woman life freedom iran one year after mahsa amini s death - Jan 15 2021

web 18 hours ago a seattle police officer is under investigation after his body worn camera captured a phone conversation following the death of a woman who was fatally struck by

danelo cavalcante dog captures crawling pennsylvania murderer - Nov 12 2020

web 2 days ago in his career williams had 223 receptions for 3 089 yards and 26 touchdowns in 63 nfl games former nfl wide receiver mike williams died tuesday morning after

reflections on life after leaving dubai or how i learned to - Jun 12 2023

web life after dubai is a funny and touching memoir about a twenty something girl who pushed by the desire of living an international experience away from home together with the

saying goodbye to the uae expats contemplate life after dubai - Jun 07 2020

who is jaahnavi kandula indian student s life worth more than - Mar 17 2021

web 2 days ago wang bin the former chairman of one of china s biggest life insurers will spend the rest of his life in jail after a court found him guilty of corruption wang 64 was

life after dubai by lopez carmen amazon ae - Feb 08 2023

web abebooks com life after dubai 9781795493031 by lópez carmen and a great selection of similar new used and collectible books available now at great prices

life after dubai lopez carmen amazon in books - Aug 02 2022

web find books like life after dubai from the world s largest community of readers goodreads members who liked life after dubai also liked maid in dubai d

life after dubai kindle edition amazon co uk - May 11 2023

web after her father s death carmen moves back home from dubai and struggles with reverse cultural shock paperback edition this carmen lopez novel comes in a paperback

life after dubai ebook lópez carmen amazon in kindle store - Jul 01 2022

web select the department you want to search in

[life after dubai lópez carmen ebook amazon com](#) - Apr 10 2023

web dec 10 2016 a lot has been said and written about life after dubai so taking a closer look let s talk about 6 perks you enjoy while living in dubai that you ll definitely miss if

former nfl wide receiver mike williams dies at 36 following - Aug 10 2020

seattle police officer under investigation as footage shows him - Oct 12 2020

web jan 31 2019 8 33 get fast free shipping with amazon prime free returns free delivery saturday april 22 if you spend 25 on items shipped by amazon or fastest

purpose in life may decline after a dementia diagnosis experts - Feb 13 2021

web 2 days ago danelo cavalcante 34 was arrested in a wooded area in pennsylvania on wednesday as he tried to crawl away from officers who had surrounded him more than

books similar to life after dubai goodreads - Apr 29 2022

web sep 11 2021 life post covid 19 this page contains publications that predict future trends in the areas of retail sector education telecommunications and work spaces in a

saying goodbye to the uae expats contemplate life - Aug 14 2023

web jan 29 2019 carmen lópez 3 62 100 ratings5 reviews how would you feel if after escaping from the golden cage of dubai you didn t know where home was

life after dubai lópez carmen amazon nl books - Feb 25 2022

web sep 11 2023 12 15 11 sep 2023 bookmark she made a huge name for herself in the 90s but one fifth of legendary 90s band steps decided to swap her glitzy showbiz career

[caesars palace dubai to close after 5 years to become banyan](#) - Sep 22 2021

web 19 hours ago opinion life after prison iranian women who stood up for mahsa amini by yalda moaiery september 14 2023 at 6 09 p m edt sima golshenas 36 pictured in a

life after dubai lópez carmen 9781795493031 amazon com - Jul 09 2020

step feed - Jan 07 2023

web buy life after dubai by lópez carmen isbn 9781795493031 from amazon s book store everyday low prices and free delivery on eligible orders life after dubai

life after dubai lópez carmen amazon com tr kitap - Sep 03 2022

web select the department you want to search in

danilo cavalcante investigators describe how inmate managed - Sep 10 2020

web jul 27 2021 saying goodbye to the uae expats contemplate life after dubai in the news july 27 2021 termination retirement or part of a life plan these residents are

life after dubai lópez carmen 9781795493031 abebooks - Nov 05 2022

web select the department you want to search in

fiba world cup 2023 final how to watch germany v serbia live - Jul 21 2021

web 2 hours ago from commodities to retail china s economy is showing signs of life after beijing s stimulus frenzy chinese president xi jinping attends a meeting at the united

inside huge 90s pop star s life as a headteacher in dubai after - Nov 24 2021

web sep 9 2023 an ex ambassador to pakistan and the uae faces sentencing after an investigation exposed tuition payoff for one girlfriend and an emir s gift of 60 000 in

life after prison iranian women who stood up for mahsa amini - Jun 19 2021

web sep 15 2023 that says it all end of story relatives in seattle arranged to send jaahnavi s body back to india a gofundme page set up after her death raised more than 161 000

life after dubai lópez carmen 9781795493031 books - Mar 29 2022

web other b burj al arab burj khalifa w user blog wingman1 burj pentominium user blog wingman1 the wave tower community content is available under cc by sa

this emmy nominated filmmaker shows life in sierra leone - May 19 2021

web 1 day ago cnn a person s sense of purpose declines leading up to and following a diagnosis of dementia or cognitive decline according to a new study purpose in life is

[living in dubai the essential expat guide](#) - Mar 09 2023

web apr 14 2023 in life after dubai carmen takes us not just through her life after dubai but also through her life before it the experiences and the many challenges that she

[category dubai life after people wiki fandom](#) - Dec 26 2021

web 2 days ago after the group s ceo said in early 2022 he had always assumed the resort would one day be set up for gaming the las vegas brand retracts from dubai one week

[chinese insurance boss sentenced to life in jail for corruption](#) - Dec 14 2020

web 11 hours ago danilo cavalcante explained how he was able to evade capture after his escape from a pennsylvania jail including moments when officers passed within yards of

[life post covid 19 the official portal of the uae government](#) - Jan 27 2022

web instagram

[life after dubai carmen lopez book review bookgeeks](#) - Dec 06 2022

web arama yapmak istediğiniz kategoriye seçin

[ex ambassador investigated for diamonds girlfriends illicit](#) - Aug 22 2021

web 6 hours ago hunter biden indicted on gun charges gas prices above 4 in more than a dozen states this emmy nominated filmmaker shows life in sierra leone link copied