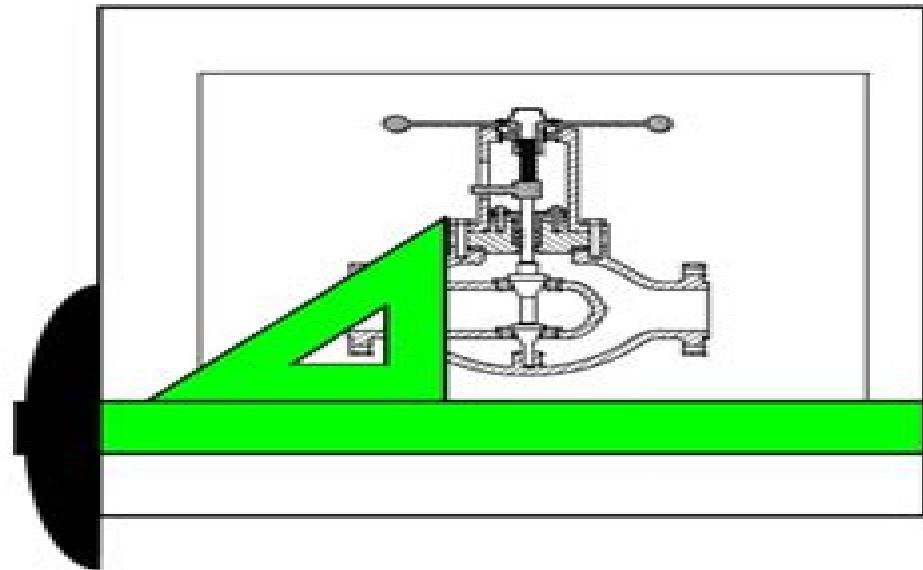


User's Guide

DeltaCad®

Professional
for Windows™
VERSION 8.0

By  *Midnight Software, Inc.*



Delta Cad Manual

RD Boyd



Delta Cad Manual:

Discover tales of courage and bravery in Crafted by is empowering ebook, **Delta Cad Manual** . In a downloadable PDF format (Download in PDF: *), this collection inspires and motivates. Download now to witness the indomitable spirit of those who dared to be brave.

<https://py.bijouxmedusa.com/results/uploaded-files/Documents/a%20history%20of%20the%20world%20andrew%20marr%20payoneerore.pdf>

Table of Contents Delta Cad Manual

1. Understanding the eBook Delta Cad Manual
 - The Rise of Digital Reading Delta Cad Manual
 - Advantages of eBooks Over Traditional Books
2. Identifying Delta Cad Manual
 - Exploring Different Genres
 - Considering Fiction vs. Non-Fiction
 - Determining Your Reading Goals
3. Choosing the Right eBook Platform
 - Popular eBook Platforms
 - Features to Look for in an Delta Cad Manual
 - User-Friendly Interface
4. Exploring eBook Recommendations from Delta Cad Manual
 - Personalized Recommendations
 - Delta Cad Manual User Reviews and Ratings
 - Delta Cad Manual and Bestseller Lists
5. Accessing Delta Cad Manual Free and Paid eBooks
 - Delta Cad Manual Public Domain eBooks
 - Delta Cad Manual eBook Subscription Services
 - Delta Cad Manual Budget-Friendly Options

6. Navigating Delta Cad Manual eBook Formats
 - ePub, PDF, MOBI, and More
 - Delta Cad Manual Compatibility with Devices
 - Delta Cad Manual Enhanced eBook Features
7. Enhancing Your Reading Experience
 - Adjustable Fonts and Text Sizes of Delta Cad Manual
 - Highlighting and Note-Taking Delta Cad Manual
 - Interactive Elements Delta Cad Manual
8. Staying Engaged with Delta Cad Manual
 - Joining Online Reading Communities
 - Participating in Virtual Book Clubs
 - Following Authors and Publishers Delta Cad Manual
9. Balancing eBooks and Physical Books Delta Cad Manual
 - Benefits of a Digital Library
 - Creating a Diverse Reading Collection Delta Cad Manual
10. Overcoming Reading Challenges
 - Dealing with Digital Eye Strain
 - Minimizing Distractions
 - Managing Screen Time
11. Cultivating a Reading Routine Delta Cad Manual
 - Setting Reading Goals Delta Cad Manual
 - Carving Out Dedicated Reading Time
12. Sourcing Reliable Information of Delta Cad Manual
 - Fact-Checking eBook Content of Delta Cad Manual
 - Distinguishing Credible Sources
13. Promoting Lifelong Learning
 - Utilizing eBooks for Skill Development
 - Exploring Educational eBooks
14. Embracing eBook Trends
 - Integration of Multimedia Elements

- Interactive and Gamified eBooks

Delta Cad Manual Introduction

Delta Cad Manual Offers over 60,000 free eBooks, including many classics that are in the public domain. Open Library: Provides access to over 1 million free eBooks, including classic literature and contemporary works. Delta Cad Manual Offers a vast collection of books, some of which are available for free as PDF downloads, particularly older books in the public domain. Delta Cad Manual : This website hosts a vast collection of scientific articles, books, and textbooks. While it operates in a legal gray area due to copyright issues, its a popular resource for finding various publications. Internet Archive for Delta Cad Manual : Has an extensive collection of digital content, including books, articles, videos, and more. It has a massive library of free downloadable books. Free-eBooks Delta Cad Manual Offers a diverse range of free eBooks across various genres. Delta Cad Manual Focuses mainly on educational books, textbooks, and business books. It offers free PDF downloads for educational purposes. Delta Cad Manual Provides a large selection of free eBooks in different genres, which are available for download in various formats, including PDF. Finding specific Delta Cad Manual, especially related to Delta Cad Manual, might be challenging as theyre often artistic creations rather than practical blueprints. However, you can explore the following steps to search for or create your own Online Searches: Look for websites, forums, or blogs dedicated to Delta Cad Manual, Sometimes enthusiasts share their designs or concepts in PDF format. Books and Magazines Some Delta Cad Manual books or magazines might include. Look for these in online stores or libraries. Remember that while Delta Cad Manual, sharing copyrighted material without permission is not legal. Always ensure youre either creating your own or obtaining them from legitimate sources that allow sharing and downloading. Library Check if your local library offers eBook lending services. Many libraries have digital catalogs where you can borrow Delta Cad Manual eBooks for free, including popular titles. Online Retailers: Websites like Amazon, Google Books, or Apple Books often sell eBooks. Sometimes, authors or publishers offer promotions or free periods for certain books. Authors Website Occasionally, authors provide excerpts or short stories for free on their websites. While this might not be the Delta Cad Manual full book , it can give you a taste of the authors writing style. Subscription Services Platforms like Kindle Unlimited or Scribd offer subscription-based access to a wide range of Delta Cad Manual eBooks, including some popular titles.

FAQs About Delta Cad Manual Books

What is a Delta Cad Manual PDF? A PDF (Portable Document Format) is a file format developed by Adobe that preserves the layout and formatting of a document, regardless of the software, hardware, or operating system used to view or print it.

How do I create a Delta Cad Manual PDF? There are several ways to create a PDF: Use software like Adobe Acrobat, Microsoft Word, or Google Docs, which often have built-in PDF creation tools. Print to PDF: Many applications and operating systems have a "Print to PDF" option that allows you to save a document as a PDF file instead of printing it on paper. Online converters: There are various online tools that can convert different file types to PDF. **How do I edit a Delta Cad Manual PDF?** Editing a PDF can be done with software like Adobe Acrobat, which allows direct editing of text, images, and other elements within the PDF. Some free tools, like PDFescape or Smallpdf, also offer basic editing capabilities. **How do I convert a Delta Cad Manual PDF to another file format?** There are multiple ways to convert a PDF to another format: Use online converters like Smallpdf, Zamzar, or Adobe Acrobat's export feature to convert PDFs to formats like Word, Excel, JPEG, etc. Software like Adobe Acrobat, Microsoft Word, or other PDF editors may have options to export or save PDFs in different formats. **How do I password-protect a Delta Cad Manual PDF?** Most PDF editing software allows you to add password protection. In Adobe Acrobat, for instance, you can go to "File" -> "Properties" -> "Security" to set a password to restrict access or editing capabilities. Are there any free alternatives to Adobe Acrobat for working with PDFs? Yes, there are many free alternatives for working with PDFs, such as: LibreOffice: Offers PDF editing features. PDFsam: Allows splitting, merging, and editing PDFs. Foxit Reader: Provides basic PDF viewing and editing capabilities. How do I compress a PDF file? You can use online tools like Smallpdf, ILovePDF, or desktop software like Adobe Acrobat to compress PDF files without significant quality loss. Compression reduces the file size, making it easier to share and download. Can I fill out forms in a PDF file? Yes, most PDF viewers/editors like Adobe Acrobat, Preview (on Mac), or various online tools allow you to fill out forms in PDF files by selecting text fields and entering information. Are there any restrictions when working with PDFs? Some PDFs might have restrictions set by their creator, such as password protection, editing restrictions, or print restrictions. Breaking these restrictions might require specific software or tools, which may or may not be legal depending on the circumstances and local laws.

Find Delta Cad Manual :

[a history of the world andrew marr payoneerore](#)
[a data pipeline for phm data driven analytics in large](#)
767 implementing a sql data warehouse microsoft
[a caribbean mystery miss marple 10 agatha christie](#)
a level computer science helper computing
9th edition physical geology plumber
[a way in the world vs naipaul](#)

a beginners to mathematical logic dover books on mathematics

a course in phonetics with cdrom peter ladefoged

a practical chinese grammar mandarin

a dictionary of finance and banking

a book of verses

a dictionary of physics oxford quick reference

a marriage preparation inventory focus on the family

a guide to the unknown cengage

Delta Cad Manual :

balancing chemical equations answer key amazon web - Nov 27 2022

web balancing chemical equations answer key balance the equations below
 $n_2 + 3 h_2 \rightarrow 2 nh_3$
 $kclO_3 \rightarrow 2 kcl + 3 o_2$
 $nacl + f_2 \rightarrow 2 naf + cl_2$
 $2 h_2 + 1 o_2 \rightarrow 2 h_2o$
 $pb + oh^- \rightarrow 2 hcl + 2 h_2o + 1 pbcl_2$
 $albr_3 + 3 k_2so_4 \rightarrow 6 kbr + 1 al_2 so_4 + 3 ch_4 + 2 o_2$
 $\rightarrow 1 co_2 + 2 h_2o + c_3h_8 + 5 o_2$
 $\rightarrow 3 co_2 + 4 h_2o + c_8h_{18} + 25 o_2$
 $\rightarrow 16 co_2 + 18 h_2o$

5 1 1 practice problems writing and balancing chemical equations - May 02 2023

web may 28 2020 write a balanced molecular equation describing each of the following chemical reactions
 solid calcium carbonate is heated and decomposes to solid calcium oxide and carbon dioxide gas
 gaseous butane $c_4 h_{10}$ reacts with diatomic oxygen gas to yield gaseous carbon dioxide and water vapor

balancing chemical equations how to walkthrough video khan academy - Jan 30 2023

web the coefficient in a balanced equation is an idea the concept of telling the chemist that if the atoms molecules and compounds are balanced there are balanced amounts of the atoms molecules and compounds on the other side in the product
balancing chemical equations phet interactive simulations - Dec 29 2022

web balancing chemical equations phet interactive simulations

balancing chemical equations and answers studocu - Jun 22 2022

web balancing equations worksheet answers note to students it is acceptable to leave spaces blank wequations blank spaces are interpreted as containing the number 1
 hen balancing
 $1 na + 3 po_4 + 3 koh + 3 naoh + 1 k + 3 po_4 + 1 mgf_2 + 1 li + 2 co + 3 1 mgco_3 + 2 lif + 1 p + 4 3 o + 2 2 p + 2 o + 3 2 rbno + 3 1 bef + 2 1 be + no + 3 2 2 rbf$

49 balancing chemical equations worksheets with answers - Oct 07 2023

web the first step to balance the equation is to write down the chemical formula of reactants that are listed on the left side of the chemical equation after this you can list down the products on the right hand side of the chemical equation

balancing chemical equations introductory stoichiometry - Jul 04 2023

web balancing chemical equations worksheet answer key balance the equations below
 $1\text{ n}_2 + 3\text{ h}_2 \rightarrow 2\text{ nh}_3$
 $2\text{ kclo}_3 \rightarrow 2\text{ kcl} + 3\text{ o}_2$
 $2\text{ nacl} + \text{ f}_2 \rightarrow 2\text{ naf} + \text{ cl}_2$
 $4\text{ h}_2 + \text{ o}_2 \rightarrow 2\text{ h}_2\text{ o}$
 $2\text{ h}_2\text{ o}_5 \rightarrow 1\text{ pb} + \text{ oh}_2 + 2\text{ hcl} + 2\text{ h}_2\text{ o} + 1\text{ pbcl}_2 + 6\text{ albr}_3 + 3\text{ k}_2\text{ so}_4 + 6\text{ kbr} + 1\text{ al}_2\text{ so}_4 + 3\text{ ch}_4 + 2\text{ o}_2 + 1\text{ co}_2 + 2\text{ h}_2\text{ o} + 8\text{ c}_3\text{ h}_8 + 5\text{ o}_2 + 3\text{ co}_2 + 4$

balancing chemical equations ks3 gcse questions - Jul 24 2022

web balancing chemical equations ks3 gcse questions chemistrytutor me 2018 page 1 of 3
 $1\text{ o}_2 + \text{ nh}_3 \rightarrow \text{ hno}_3 + \text{ h}_2\text{ o}$
 $2\text{ o}_2 + 3\text{ h}_2 \rightarrow 2\text{ h}_2\text{ o}$
 $2\text{ o}_2 + 4\text{ rb} \rightarrow \text{ h}_2\text{ o} + \text{ rboh}$
 $2\text{ h}_2 + 5\text{ cl}_2 \rightarrow 2\text{ kbr} + \text{ kcl} + \text{ br}_2 + 6\text{ n}_2 + 2\text{ h}_2 + \text{ nh}_3 + 7\text{ ndf}_3 + \text{ ca} + \text{ nd} + \text{ caf}_2 + 8\text{ ch}_4 + 2\text{ o} + \text{ co} + \text{ h}_2 + 9\text{ c}_2\text{ h}_5 + \text{ oh}$

balancing chemical equations kentchemistry.com - Aug 05 2023

web balancing chemical equations answer key balance the equations below
 $\text{ n}_2 + 3\text{ h}_2 \rightarrow 2\text{ nh}_3$
 $2\text{ kclo}_3 \rightarrow 2\text{ kcl} + 3\text{ o}_2$
 $2\text{ nacl} + \text{ f}_2 \rightarrow 2\text{ naf} + \text{ cl}_2$
 $2\text{ h}_2 + \text{ o}_2 \rightarrow 2\text{ h}_2\text{ o}$
 $2\text{ h}_2\text{ o} + \text{ pb} + \text{ oh}_2 + 2\text{ hcl} + 2\text{ h}_2\text{ o} + 1\text{ pbcl}_2 + 6\text{ albr}_3 + 3\text{ k}_2\text{ so}_4 + 6\text{ kbr} + 1\text{ al}_2\text{ so}_4 + 3\text{ ch}_4 + 2\text{ o}_2 + 1\text{ co}_2 + 2\text{ h}_2\text{ o}$

balancing chemical equations worksheet science notes and - Apr 01 2023

web feb 1 2023 the best way to become proficient at balancing chemical equations is practice this balancing chemical equations worksheet has ten unbalanced equations to practice your skills either right click and save the image or else download the pdf of the worksheet here the worksheet prints on a standard sheet of printer paper

balance chemical equations practice sheet science notes and - Feb 28 2023

web jan 7 2015 this balance chemical equations practice sheet is useful to help students balance chemical equations this ten equation worksheet is available in pdf format the answer key is also available in pdf format or if you d prefer a quick look an image of the completed sheet can be found here

balancing equations practice problems school learning - Mar 20 2022

web balance each of the following equations balancing equations answers to practice problems balanced equations coefficients equal to one 1 do not need to be shown in your answers
 $2\text{ fe} + 3\text{ cl}_2 \rightarrow 2\text{ fecl}_3$
 $4\text{ fe} + 3\text{ o}_2 \rightarrow 2\text{ fe}_2\text{ o}_3$
 $2\text{ febr}_3 + 3\text{ h}_2\text{ so}_4 \rightarrow 1\text{ fe}_2\text{ so}_4 + 3\text{ d}_1\text{ c}_4\text{ h}_6\text{ o}_3 + 1\text{ h}_2\text{ o} + 2\text{ c}_2\text{ h}_4\text{ o}_2$

balancing chemical equations ks3 gcse answers - Sep 25 2022

web balancing chemical equations ks3 gcse answers chemistrytutor me 2018 page 3 of 3
 $38\text{ fe} + 2\text{ o}_3 \rightarrow 3\text{ co} + 2\text{ fe}_3\text{ co}_2 + 39\text{ h}_2 + 3\text{ po}_4 + 3\text{ bao} + 3\text{ po}_4 + 2\text{ 3h}_2 + \text{ o}_4 + 2\text{ mgnh}_4 + \text{ po}_4 + \text{ mg}_2\text{ p}_2 + \text{ o}_7 + 2\text{ nh}_3 + \text{ h}_2 + \text{ o}_4 + 1\text{ 2al}_3\text{ h}_2 + \text{ so}_4 + \text{ al}_2\text{ so}_4 + 3\text{ h}_2 + 42\text{ p}_4 + \text{ o}_{10} + 3\text{ hcl} + \text{ po}_3 + 3\text{ hpo}_3 + 43\text{ 4no}_2 + \text{ h}_2 + \text{ o}_3 + 2\text{ 4hno}$

4 1 writing and balancing chemical equations openstax - May 22 2022

web balancing equations the chemical equation described in section 4 1 is balanced meaning that equal numbers of atoms for each element involved in the reaction are represented on the reactant and product sides this is a requirement the equation must satisfy to be consistent with the law of conservation of matter

[4 1 writing and balancing chemical equations chemistry](#) - Aug 25 2022

web aug 26 2023 write balanced molecular complete ionic and net ionic equations for this process answer chemical equations are symbolic representations of chemical and physical changes formulas for the substances undergoing the change reactants and substances generated by the change products are

[how to balance equations printable worksheets thoughtco](#) - Jun 03 2023

web jan 4 2019 a balanced chemical equation gives the number and type of atoms participating in a reaction the reactants products and direction of the reaction balancing an unbalanced equation is mostly a matter of making certain mass and charge are balanced on the reactants and products side of the reaction arrow

7 1 writing and balancing chemical equations chemistry - Apr 20 2022

web aug 14 2020 balancing equations when a chemical equation is balanced it means that equal numbers of atoms for each element involved in the reaction are represented on the reactant and product sides this is a requirement the equation must satisfy to be consistent with the law of conservation of matter

balancing chemical equations practice and review albert io - Oct 27 2022

web mar 14 2023 the key to balancing chemical equations the ultimate goal for balancing chemical equations is to make both sides of the reaction the reactants and the products equal in the number of atoms per element this stems from the universal law of the conservation of mass which states that matter can neither be created nor destroyed

answer key for the balance chemical equations worksheet balancing - Feb 16 2022

web nov 27 2016 answer key for the balance chemical equations worksheet nov 27 2016 answer key for the balance chemical equations worksheet nov 27 2016 answer key for the balance chemical equations worksheet explore education read it save article from sciencenotes org

[balancing chemical equations 1 practice khan academy](#) - Sep 06 2023

web chemistry library chemical reactions and stoichiometry balancing chemical equations 1 google classroom balance the following chemical equation $\text{mg} + \text{oh} + 2 \text{hcl} \rightarrow \text{mgcl}_2 + \text{h}_2\text{o}$ note all reactants and products require a coefficient of at least one stuck review related articles videos or use a hint report a problem do 4 problems

amazon ca evan moor grammar - Jul 01 2022

web february 26 2021 by evan moor 0 comments are you noticing your kids or students making the same simple grammar mistakes over and over correcting common

evan moor grammar exodus books - Apr 29 2022

web grammar and punctuation grade 1 pdf 8 29 mb grammar and punctuation grade 2 pdf 10 55 mb grammar and punctuation grade 3 pdf 9 95 mb grammar and punctuation

evan moor skills sharpener punctuation grammar - Feb 25 2022

web check out evan moor s quality resources for english language learning our interactive classroom activities will help make learning fun

evan moor educational resources e books workbooks for - Jan 27 2022

web categories uncategorized tags daily language review evan moor language grammar activities grammar games grammar lessons language lessons prepositions teaching

language arts grammar punctuation homeschool curriculum - Nov 05 2022

web sep 11 2017 evan moor has found a way to make teaching grammar fun and focused in your homeschooling warm up evan moor has mastered teaching concepts in short

k boo - May 11 2023

web evan moor corp 1 grammar and punctuation emc 2713 the 25 rules to learn 1 parts of a sentence 3 a sentence expresses a complete thought every complete

top 10 grammar mistakes kids make the joy of teaching - May 31 2022

web designed to be used in conjunction with the daily language review books evan moor s language fundamentals series provides more in depth practice focused on assessment

amazon com grammar and punctuation grade 5 - Aug 02 2022

web select the department you want to search in

grammar lessons the joy of teaching teacherblog evan - Sep 03 2022

web click here to download evan moor s grammar and punctuation homeschool curriculum guide most homeschoolers are looking for ways to make learning grammar and

grammar punctuation grade 1 evan moor corporation - Apr 10 2023

web grade 1 teacher resource provide your students with structured grammar and punctuation practice grammar punctuation comes jam packed with 25 rule charts 75

evan moor educational resources e books - Jun 12 2023

web this class set includes 20 identical skill sharpeners grammar punctuation workbooks help children improve their writing while learning important grammar and punctuation

grammar mechanics evan moor - Jul 13 2023

web building strong grammar skills requires a great deal of reinforcement for students with a firm foundation of grammar mechanics fluent confident writers emerge with the

evan moore worksheets k12 workbook - Sep 22 2021

amazon com grammar and punctuation grade 1 - Mar 09 2023

web mar 1 2002 evan moor skill sharpeners grammar and punctuation grade 1 full color activity book supplemental homeschool workbook

evan moor grammar punctuation grade 2 - Jan 07 2023

web jan 1 2019 evan moor grammar punctuation grade 2 paperback teacher s edition january 1 2019 evan moor grammar punctuation grade 2 paperback teacher s

grammar games the joy of teaching - Dec 26 2021

web by evan moor educational publishers the evan moor language fundamentals series features over 200 pages of focused practice activities to help students attain mastery of

evan moor language fundamentals homeschool planet - Nov 24 2021

web it will agreed ease you to look guide evan moor grammar and punctuation as you such as by searching the title publisher or authors of guide you essentially want you can

evan moor educational resources e books workbooks for - Aug 14 2023

web help children improve their writing while learning important grammar and punctuation rules these colorful activity books make language skill practice fun with interesting themes a

grammar and punctuation grade 3 amazon com - Oct 04 2022

web mar 1 2002 evan moor grammar punctuation book designed for grade 3 offers 25 rule charts plus three activity sheets per rule book includes cd rom with review test and

evan moor grammar and punctuation pdf harvard university - Oct 24 2021

web evan moore displaying all worksheets related to evan moore worksheets are grammar and punctuation grade 2 sampler k boo ample unit for each grade slevel with a

evan moor grammar and punctuation grades 1 2 3 4 5 6 - Mar 29 2022

web help your elementary level students learn to master grammar and punctuation with evan moor s skill sharpeners grammar punctuation workbook this second grade

evan moor skill sharpeners grammar and punctuation - Feb 08 2023

web jan 1 2019 evan moor skill sharpeners grammar and punctuation grade 1 full color activity book supplemental homeschool workbook evan moor educational publishers on amazon com

homeschool review of evan moor s skill sharpeners - Dec 06 2022

web apr 3 2019 in this review of skill sharpeners grammar and punctuation we will explore the features and layout of the newest addition to evan moor s skill sharpeners series

concours orthophoniste a preuves orales 800 exerc download - Apr 30 2022

web concours orthophoniste a preuves orales 800 exerc downloaded from api aegirproject org by guest lillianna grimes music therapy john wiley sons published in the year 2006 success and understanding is a valuable contribution to the field of major works life as a bilingual cambridge university press

concours orthophoniste a preuves orales 800 exerc pdf - Aug 15 2023

web concours orthophoniste a preuves orales 800 exerc 1 7 downloaded from uniport edu ng on september 16 2023 by guest concours orthophoniste a preuves orales 800 exerc 2 7 downloaded from uniport edu ng on september 16 2023 by guest studyingrelated syndromes such as the long qt syndrome infant death

concours orthophoniste a preuves orales 800 exerc - Feb 09 2023

web 2 concours orthophoniste a preuves orales 800 exerc 2022 11 21 concours orthophoniste a preuves orales 800 exerc downloaded from georgiacollegesurvey gcsu edu by guest carly guerra the teacher s word book of 30 000 words princeton university press cet ouvrage prépare à l ensemble des

concours orthophoniste a preuves orales 800 exerc pdf - Dec 27 2021

web orthophoniste a preuves orales 800 exerc when somebody should go to the books stores search start by shop shelf by shelf it is truly problematic this is why we offer the ebook compilations in this website it will very ease you to look guide concours orthophoniste a preuves orales 800 exerc as you such as by searching the title

concours orthophoniste a preuves orales 800 exerc - Jun 01 2022

web 2 concours orthophoniste a preuves orales 800 exerc 2020 09 16 l émergence de l épuisement en lien avec un enfant qui a du mal dans ce contexte à se réguler et l apparition des symptômes dépressifs et psychotiques qui l entraîneront dans la maladie

concours orthophoniste a preuves orales 800 exerc pdf - Jan 28 2022

web 800 exerc a fascinating literary value sporting with organic feelings lies a fantastic journey waiting to be undertaken written by a skilled wordsmith this charming opus invites visitors on an introspective

concours orthophoniste a preuves orales 800 exerc pdf - Apr 11 2023

web this online declaration concours orthophoniste a preuves orales 800 exerc can be one of the options to accompany you with having further time it will not waste your time say yes me the e book will very declare you new thing to read just invest little times to right of entry this on line declaration concours orthophoniste a preuves orales

concours orthophoniste a preuves orales 800 exerc pdf - Mar 10 2023

web 2 concours orthophoniste a preuves orales 800 exerc 2022 06 30 attention to all those excluded from education because of background or ability the report is motivated by the explicit reference to inclusion in the 2015 incheon declaration and the

call to ensure an inclusive and equitable quality education in the formulation of sdg 4 the

concours orthophoniste à preuves orales 800 exercices d - Oct 05 2022

web la recherche voir qcm de culture generale full text of chimie generale exercices et methodes dunod fr concours

orthophoniste preuves orales 800 n 3507 rapport d enquete de m philippe vuilque fr mentaires en ligne concours

orthophoniste ducation thrapeutique du patient modles pratiques et td corrig tome ii examens corriges pdf

[concours orthophoniste a preuves orales 800 exerc full pdf](#) - Jul 02 2022

web ease you to look guide concours orthophoniste a preuves orales 800 exerc as you such as by searching the title publisher or authors of guide you in fact want you can discover them rapidly in the house workplace or perhaps in your method can be every best place within net connections if you try to download and install the concours

concours orthophoniste a preuves orales 800 exerc pdf - Jun 13 2023

web jul 1 2023 concours orthophoniste a preuves orales 800 exerc 2 7 downloaded from uniport edu ng on july 1 2023 by

guest paradigms joel a barker 1993 05 26 how would like to spot future trends before the competition we all know the rules

for success in our business or professions yet we also know that these rules paradigms can change at

concours orthophoniste a preuves orales 800 exerc copy ftp - Sep 04 2022

web concours orthophoniste a preuves orales 800 exerc downloaded from ftp themontcalmclub com by guest moreno pitts les

épreuves de français au concours d orthophoniste elsevier masson vous êtes candidat au concours orthophonie cet ouvrage

va vous aider à préparer efficacement les épreuves de vocabulaire

concours orthophoniste a preuves orales 800 exerc download - Feb 26 2022

web concours orthophoniste a preuves orales 800 exerc 1 right here we have countless ebook concours orthophoniste a

preuves orales 800 exerc and collections to check out we additionally come up with the money for variant types and plus type

of the books to browse the usual book fiction history novel scientific research as without

concours de belle prononciation en ligne - Nov 06 2022

web dépôt de candidature 10 avril 2020 au secrétariat des cours kurslar izmir ifturquie org nb attention n oubliez pas de

préciser votre niveau et le poème choisi au moment de dépôt de candidature l institut français d izmir organise dans le cadre

de la journée internationale de la francophonie un concours de belle

concours orthophoniste a preuves orales 800 exerc - Jan 08 2023

web concours orthophoniste a preuves orales 800 exerc as recognized adventure as competently as experience more or less

lesson amusement as well as concord can be gotten by just checking out a book concours orthophoniste a preuves orales 800

exerc next it is not directly done you could take even more going on for this life with reference

paris orthoprep préparation au concours d orthophoniste - Aug 03 2022

web le concours de paris se déroule en deux parties i l admissibilité vous avez 1h30 pour répondre à un questionnaire de 50 questions ce qcm est composé de 5 questions de compréhension et de déduction 10 de la note ces questions sont des petits problèmes de logique assez simples si l on se réfère aux années précédentes les questions sont

concours orthophoniste a preuves orales 800 exerc 2022 ftp - Mar 30 2022

web 2 concours orthophoniste a preuves orales 800 exerc 2020 02 25 au secours je ne sais pas ce que je veux faire plus tard ce livre est un conseiller personnel d orientation vous allez pouvoir y découvrir 359 idées de métiers dans plus de 40 secteurs avec pour chaque métier une fiche complète enrichie d informations sur le quotidien

cette année je réusis le concours orthophonie paris - Dec 07 2022

web tous les conseils pour réussir le concours orthophonie paris et connaitre les épreuves et les dates du concours orthophoniste de paris 07 81 85 35 88 orthophonie academie gmail com les 300 candidats les mieux classés seront convoqués pour des épreuves orales en attendant le grand jour pensez à prendre

concours orthophoniste à preuves orales 800 exercices d - Jul 14 2023

web concours orthophoniste à preuves orales 800 exercices d entraînement by dominique dumas julie camoin emmanuelle applincourt boucher guide des etudes 2013 orthophonie union européenne march 23rd 2020 epreuve de position française puis preuves orales deux entretiens individuels psychiatre phoniatre et orthophoniste et un

concours orthophoniste a preuves orales 800 exerc - May 12 2023

web this title was originally published in 1977 the teacher s word book of 30 000 words univ of california press until recently the cellular basis for sudden death the brugadasyndrome has largely remained an unknown to modernarrhythmologists and cardiologists particularly in the absence of any structural heart disease