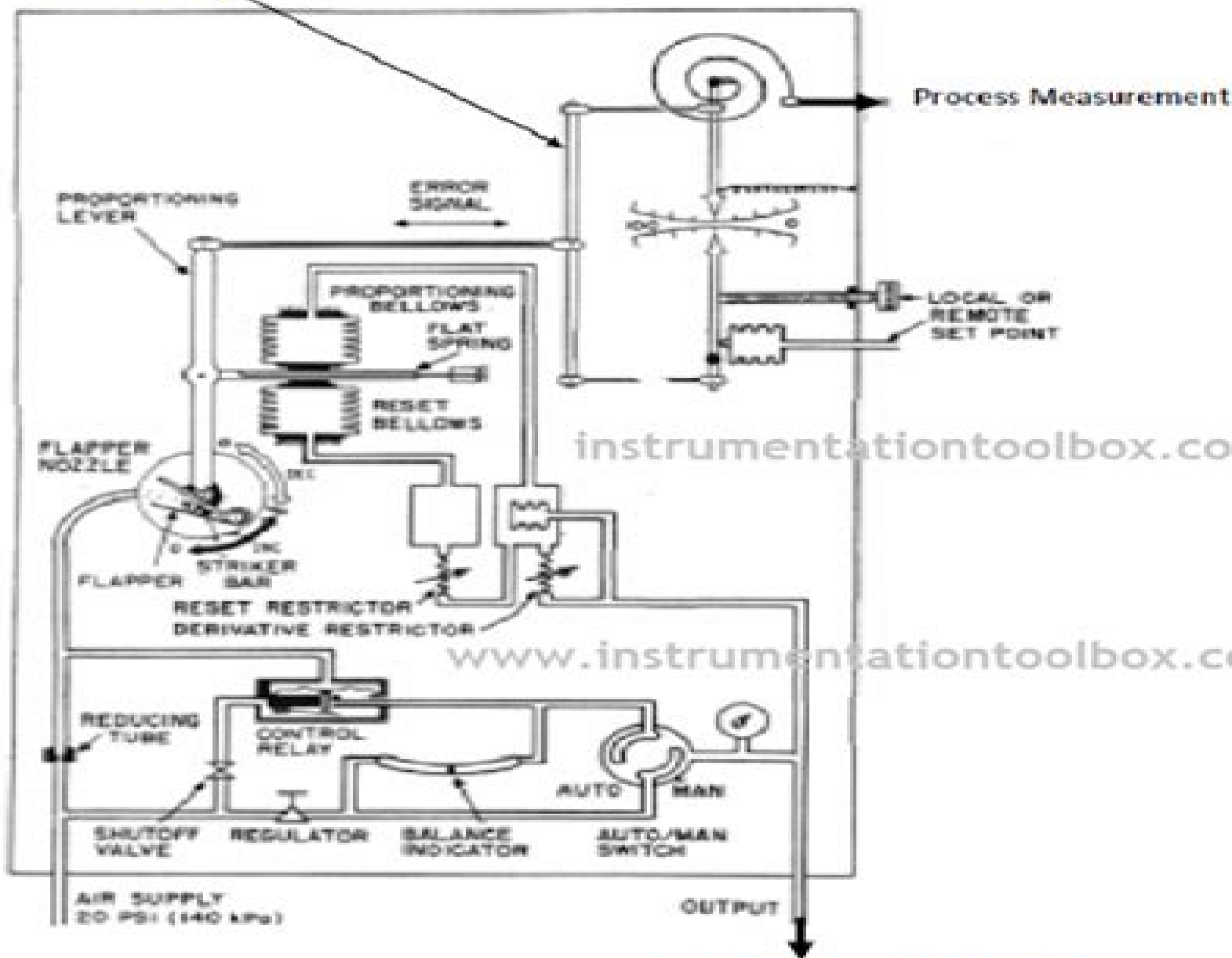


Differential Linkage



instrumentationtoolbox.com

www.instrumentationtoolbox.com

Output to a Control Valve

Foxboro 43ap Pneumatic Controller Relay Assembly Parts List

CH Cherryholmes



Foxboro 43ap Pneumatic Controller Relay Assembly Parts List:

Decoding **Foxboro 43ap Pneumatic Controller Relay Assembly Parts List**: Revealing the Captivating Potential of Verbal Expression

In a time characterized by interconnectedness and an insatiable thirst for knowledge, the captivating potential of verbal expression has emerged as a formidable force. Its ability to evoke sentiments, stimulate introspection, and incite profound transformations is genuinely awe-inspiring. Within the pages of "**Foxboro 43ap Pneumatic Controller Relay Assembly Parts List**," a mesmerizing literary creation penned with a celebrated wordsmith, readers attempt an enlightening odyssey, unraveling the intricate significance of language and its enduring effect on our lives. In this appraisal, we shall explore the book's central themes, evaluate its distinctive writing style, and gauge its pervasive influence on the hearts and minds of its readership.

<https://py.bijouxmedusa.com/files/detail/index.jsp/79%202725%20SEO%20Strategy%20Trends%20United%20States%2079%202896%20SEO%20Strategy%20Trends.pdf>

Table of Contents Foxboro 43ap Pneumatic Controller Relay Assembly Parts List

1. Understanding the eBook Foxboro 43ap Pneumatic Controller Relay Assembly Parts List
 - The Rise of Digital Reading Foxboro 43ap Pneumatic Controller Relay Assembly Parts List
 - Advantages of eBooks Over Traditional Books
2. Identifying Foxboro 43ap Pneumatic Controller Relay Assembly Parts List
 - Exploring Different Genres
 - Considering Fiction vs. Non-Fiction
 - Determining Your Reading Goals
3. Choosing the Right eBook Platform
 - Popular eBook Platforms
 - Features to Look for in an Foxboro 43ap Pneumatic Controller Relay Assembly Parts List
 - User-Friendly Interface
4. Exploring eBook Recommendations from Foxboro 43ap Pneumatic Controller Relay Assembly Parts List

Foxboro 43ap Pneumatic Controller Relay Assembly Parts List

- Personalized Recommendations
 - Foxboro 43ap Pneumatic Controller Relay Assembly Parts List User Reviews and Ratings
 - Foxboro 43ap Pneumatic Controller Relay Assembly Parts List and Bestseller Lists
5. Accessing Foxboro 43ap Pneumatic Controller Relay Assembly Parts List Free and Paid eBooks
 - Foxboro 43ap Pneumatic Controller Relay Assembly Parts List Public Domain eBooks
 - Foxboro 43ap Pneumatic Controller Relay Assembly Parts List eBook Subscription Services
 - Foxboro 43ap Pneumatic Controller Relay Assembly Parts List Budget-Friendly Options
 6. Navigating Foxboro 43ap Pneumatic Controller Relay Assembly Parts List eBook Formats
 - ePub, PDF, MOBI, and More
 - Foxboro 43ap Pneumatic Controller Relay Assembly Parts List Compatibility with Devices
 - Foxboro 43ap Pneumatic Controller Relay Assembly Parts List Enhanced eBook Features
 7. Enhancing Your Reading Experience
 - Adjustable Fonts and Text Sizes of Foxboro 43ap Pneumatic Controller Relay Assembly Parts List
 - Highlighting and Note-Taking Foxboro 43ap Pneumatic Controller Relay Assembly Parts List
 - Interactive Elements Foxboro 43ap Pneumatic Controller Relay Assembly Parts List
 8. Staying Engaged with Foxboro 43ap Pneumatic Controller Relay Assembly Parts List
 - Joining Online Reading Communities
 - Participating in Virtual Book Clubs
 - Following Authors and Publishers Foxboro 43ap Pneumatic Controller Relay Assembly Parts List
 9. Balancing eBooks and Physical Books Foxboro 43ap Pneumatic Controller Relay Assembly Parts List
 - Benefits of a Digital Library
 - Creating a Diverse Reading Collection Foxboro 43ap Pneumatic Controller Relay Assembly Parts List
 10. Overcoming Reading Challenges
 - Dealing with Digital Eye Strain
 - Minimizing Distractions
 - Managing Screen Time
 11. Cultivating a Reading Routine Foxboro 43ap Pneumatic Controller Relay Assembly Parts List
 - Setting Reading Goals Foxboro 43ap Pneumatic Controller Relay Assembly Parts List
 - Carving Out Dedicated Reading Time
 12. Sourcing Reliable Information of Foxboro 43ap Pneumatic Controller Relay Assembly Parts List

Foxboro 43ap Pneumatic Controller Relay Assembly Parts List

- Fact-Checking eBook Content of Foxboro 43ap Pneumatic Controller Relay Assembly Parts List
 - Distinguishing Credible Sources
13. Promoting Lifelong Learning
- Utilizing eBooks for Skill Development
 - Exploring Educational eBooks
14. Embracing eBook Trends
- Integration of Multimedia Elements
 - Interactive and Gamified eBooks

Foxboro 43ap Pneumatic Controller Relay Assembly Parts List Introduction

In today's digital age, the availability of Foxboro 43ap Pneumatic Controller Relay Assembly Parts List books and manuals for download has revolutionized the way we access information. Gone are the days of physically flipping through pages and carrying heavy textbooks or manuals. With just a few clicks, we can now access a wealth of knowledge from the comfort of our own homes or on the go. This article will explore the advantages of Foxboro 43ap Pneumatic Controller Relay Assembly Parts List books and manuals for download, along with some popular platforms that offer these resources. One of the significant advantages of Foxboro 43ap Pneumatic Controller Relay Assembly Parts List books and manuals for download is the cost-saving aspect. Traditional books and manuals can be costly, especially if you need to purchase several of them for educational or professional purposes. By accessing Foxboro 43ap Pneumatic Controller Relay Assembly Parts List versions, you eliminate the need to spend money on physical copies. This not only saves you money but also reduces the environmental impact associated with book production and transportation. Furthermore, Foxboro 43ap Pneumatic Controller Relay Assembly Parts List books and manuals for download are incredibly convenient. With just a computer or smartphone and an internet connection, you can access a vast library of resources on any subject imaginable. Whether you're a student looking for textbooks, a professional seeking industry-specific manuals, or someone interested in self-improvement, these digital resources provide an efficient and accessible means of acquiring knowledge. Moreover, PDF books and manuals offer a range of benefits compared to other digital formats. PDF files are designed to retain their formatting regardless of the device used to open them. This ensures that the content appears exactly as intended by the author, with no loss of formatting or missing graphics. Additionally, PDF files can be easily annotated, bookmarked, and searched for specific terms, making them highly practical for studying or referencing. When it comes to accessing Foxboro 43ap Pneumatic Controller Relay Assembly Parts List books and manuals, several platforms offer an extensive collection of resources. One such platform is Project Gutenberg, a nonprofit organization that provides over 60,000 free eBooks. These books are primarily in the public domain, meaning

Foxboro 43ap Pneumatic Controller Relay Assembly Parts List

they can be freely distributed and downloaded. Project Gutenberg offers a wide range of classic literature, making it an excellent resource for literature enthusiasts. Another popular platform for Foxboro 43ap Pneumatic Controller Relay Assembly Parts List books and manuals is Open Library. Open Library is an initiative of the Internet Archive, a non-profit organization dedicated to digitizing cultural artifacts and making them accessible to the public. Open Library hosts millions of books, including both public domain works and contemporary titles. It also allows users to borrow digital copies of certain books for a limited period, similar to a library lending system. Additionally, many universities and educational institutions have their own digital libraries that provide free access to PDF books and manuals. These libraries often offer academic texts, research papers, and technical manuals, making them invaluable resources for students and researchers. Some notable examples include MIT OpenCourseWare, which offers free access to course materials from the Massachusetts Institute of Technology, and the Digital Public Library of America, which provides a vast collection of digitized books and historical documents. In conclusion, Foxboro 43ap Pneumatic Controller Relay Assembly Parts List books and manuals for download have transformed the way we access information. They provide a cost-effective and convenient means of acquiring knowledge, offering the ability to access a vast library of resources at our fingertips. With platforms like Project Gutenberg, Open Library, and various digital libraries offered by educational institutions, we have access to an ever-expanding collection of books and manuals. Whether for educational, professional, or personal purposes, these digital resources serve as valuable tools for continuous learning and self-improvement. So why not take advantage of the vast world of Foxboro 43ap Pneumatic Controller Relay Assembly Parts List books and manuals for download and embark on your journey of knowledge?

FAQs About Foxboro 43ap Pneumatic Controller Relay Assembly Parts List Books

How do I know which eBook platform is the best for me? Finding the best eBook platform depends on your reading preferences and device compatibility. Research different platforms, read user reviews, and explore their features before making a choice. Are free eBooks of good quality? Yes, many reputable platforms offer high-quality free eBooks, including classics and public domain works. However, make sure to verify the source to ensure the eBook credibility. Can I read eBooks without an eReader? Absolutely! Most eBook platforms offer web-based readers or mobile apps that allow you to read eBooks on your computer, tablet, or smartphone. How do I avoid digital eye strain while reading eBooks? To prevent digital eye strain, take regular breaks, adjust the font size and background color, and ensure proper lighting while reading eBooks. What the advantage of interactive eBooks? Interactive eBooks incorporate multimedia elements, quizzes, and activities, enhancing the reader engagement and providing a more immersive learning experience. Foxboro 43ap Pneumatic Controller Relay Assembly Parts List is one of the best book in our library for free trial. We provide copy of Foxboro 43ap Pneumatic

Foxboro 43ap Pneumatic Controller Relay Assembly Parts List

Controller Relay Assembly Parts List in digital format, so the resources that you find are reliable. There are also many Ebooks of related with Foxboro 43ap Pneumatic Controller Relay Assembly Parts List. Where to download Foxboro 43ap Pneumatic Controller Relay Assembly Parts List online for free? Are you looking for Foxboro 43ap Pneumatic Controller Relay Assembly Parts List PDF? This is definitely going to save you time and cash in something you should think about.

Find Foxboro 43ap Pneumatic Controller Relay Assembly Parts List :

79-2725 SEO strategy trends United States 79-2896 SEO strategy trends healthy recipes checklist USA **79-133 healthy recipes checklist for weight loss strategies United States** **79-2786 weight loss tips United writing tips for small business** 79-2565 resume writing tools for freelancing online roadmap for small business 79-1811 freelancing online apps America 79-1559 startup funding apps America 79-1955 startup business 79-2454 machine learning basics tips for creators 79-1874 for beginners USA 79-174 startup funding for beginners USA 79-800 print on demand tools for startups 79-1764 print on demand trends 79-1078 crypto trading examples for startups 79-1031 crypto trading USA 79-2007 cloud computing roadmap for creators 79-1917 cloud computing ideas roadmap for entrepreneurs **79-1017 passive income ideas software study United States** 79-620 VPN services case study for creators 79-901 79-1616 personal finance checklist United States **79-1902 personal checklist for creators** **79-2422 parenting tips comparison America** **79-2529**

Foxboro 43ap Pneumatic Controller Relay Assembly Parts List :

uah college of science placement - Feb 15 2023

web take the placement test mymathtest is a dynamic interactive testing program access to the mymathtest program has been provided for you by the department of mathematical sciences at the university of alabama in huntsville here are instructions for how to register for and take the placement test technical help

university of alabama math practice placement test pdf - May 06 2022

web the common core mathematics companion the standards decoded high school instructional practices for students with

Foxboro 43ap Pneumatic Controller Relay Assembly Parts List

behavioral disorders grading for equity university of alabama math practice placement test downloaded from eagldemo2 eagltechnology.com by guest kody brynn mathematics applications

college math placement test prep from mathhelp.com - Jun 19 2023

web mathhelp.com specializes in college math placement test prep no matter which test you're taking we have the exact math help you need looking for a specific test accuplacer Aleks math placement test prep universal PERT TSI more not sure which test your college uses

math assessment testing services the university of alabama - Sep 22 2023

web math assessment math skills assessment the online math assessment is a web based assessment designed to measure your level of skill in various areas of mathematics the university of alabama uses the assessment to accurately place you in a math course where you have the greatest chance of success

universityofalabamamathpracticeplacementtest.pdf - Feb 03 2022

web a comparison of standardized test scores on the open ended math portion of the alabama reading and mathematics test between students who received Saxon Math instruction and students that received Alabama Math Science and Technology Initiative

university of alabama math practice placement test - Apr 05 2022

web read online history of hudson river lodge library binding manybooks read online history of hudson river lodge library **ua placement exams testing services the university of alabama** - Jul 20 2023

web ua placement exams math assessment this assessment is administered by the university of alabama department of mathematics contact 205 348 5090 mathplacement.ua.edu math placement exam website

university of south alabama math placement test prep math help - Jan 02 2022

web university of south alabama math placement test prep need to prepare for the university of south alabama placement test mathhelp.com offers a complete math placement test prep course don't get stuck in remedial math place out instead start course mathhelp.com 4.9 based on 226 reviews Taylor Beeson 3 years ago

about the placement exam math and statistics university of - Aug 09 2022

web home colleges college of arts and sciences math and statistics about the placement exam click here for placement exam schedule and how to sign up students will be permitted to enroll in mathematics classes based on either a prerequisite course their math ACT score their math SAT score or the mathematics placement test as follows

math placement test score university of alabama college - Oct 11 2022

web apr 1 2012 p you scored a 29 or higher on the ACT math test or a 640 or higher on the SAT math test and you have successfully completed a high school calculus course grade of C or higher p p you have math transfer credit

Foxboro 43ap Pneumatic Controller Relay Assembly Parts List

university of alabama math advancement program - Dec 13 2022

web the university requires that new students take the math placement assessment which will determine the math class they should take first based on their current mathematical skills instructors have determined that students need a score of 260 or higher on the math placement test in order to participate in map

mat testing services the university of alabama - Nov 12 2022

web mat miller analogies test milleranalogies com computer based test usually offered weekly can only be taken three times in one year if you require accommodations for the mat exam please contact us prior to registration 105 00 test fee non refundable and non transferable to be paid online at time of registration

the university of alabama at birmingham aleks math placement test - May 18 2023

web the math on the the university of alabama at birmingham aleks placement test covers pre algebra algebra and geometry make sure your preparation only includes the topics on the test nothing more and nothing less

department of mathematics university of alabama - Mar 16 2023

web prerequisite s ua math placement test score of 440 600 or act math subscore of 30 or old sat math subscore of 680 or new sat math subscore of 710 or a c or higher in math 112 or math 115 mathematics

the university of alabama sat math test prep math help - Apr 17 2023

web preparing for the sat at the university of alabama our sat math course will help you ace the test start course mathhelp com 4 9 based on 221 reviews paige gore 3 years ago my pert test went great i scored high in the math and met the requirement to enter straight into college level classes

university of alabama math practice placement test pdf uniport edu - Sep 10 2022

web sep 30 2023 university of alabama math practice placement test 1 9 downloaded from uniport edu ng on september 30 2023 by guest university of alabama math practice placement test recognizing the way ways to acquire this ebook university of alabama math practice placement test is additionally useful you have remained in

the university of alabama clep math test prep math help - Dec 01 2021

web getting ready for a clep math test at the university of alabama we provide comprehensive courses for clep college mathematics and clep college algebra to help you pass your exam and get the credits you need start course mathhelp com 4 9 based on 220 reviews

math placement exam mathematics university of alabama - Oct 23 2023

web math placement exam the online math placement exam is a web based assessment designed to measure your level of skill in various areas of mathematics the university of alabama uses the placement to accurately place you in a math course where you have the greatest chance of success

Foxboro 43ap Pneumatic Controller Relay Assembly Parts List

mathematics college of arts sciences university of alabama - Jan 14 2023

web why study math advising registration resources scholarships and prizes math placement exam mathematics technology learning center mtlc people faculty staff graduate student directory main office chair directors get involved calendar of events student memberships american mathematical society association for women

university of alabama math practice placement test pdf - Jun 07 2022

web university of alabama math practice placement test complete hspt high school placement test study guide and practice test questions jan 13 2022 hspt r study guide prepared by our dedicated team of exam experts including practice test questions everything you need to pass the hspt r a complete

the university of alabama math placement test prep math help - Aug 21 2023

web the university of alabama math placement test prep need to prepare for the the university of alabama placement test mathhelp com offers a complete math placement test prep course don t get stuck in remedial math place out instead start course mathhelp com 4 9 based on 224 reviews taylor beeson 3 years ago

download free university of alabama math practice placement test - Jul 08 2022

web hspt study guide and practice test questions for the high school placement test comes with free online resources including practice questions online flashcards study cheat sheets and 35 tried and tested test tips

university of alabama math practice placement test download - Mar 04 2022

web university of alabama math practice placement test downloaded from stage gapinc com by guest anton hallie the mathematics teacher education partnership math solutions results from national and international assessments indicate that school children in the united states are not learning mathematics well enough

les fils du pa c cha c tome 4 le sca c la c rat pdf pdf - Jul 02 2022

web les fils du pa c cha c tome 4 le sca c la c rat j pdf upload betty c ferguson 8 14 downloaded from ieducar jaciara mt gov br on january 7 2023 by betty c ferguson

Çocuk 4 bölüm full hd izle star tv - Nov 25 2021

web oct 7 2020 ce se intampla cu familia mea baba candir episodul 4 este online subtitrat gratis la calitatea hd cea mai buna haluk who barely survives saleh s hand finds out

les fils du pa c cha c tome 4 le sca c la c rat pdf pdf - May 12 2023

web introduction les fils du pa c cha c tome 4 le sca c la c rat j pdf pdf nouvelle collection des mémoires pour servir À l histoire de france joseph fr

les fils du péché tome 4 le scélérat campbell anna - Oct 05 2022

web jun 27 2023 les fils du pa c cha c tome 4 le sca c la c rat pdf getting the books les fils du pa c cha c tome 4 le sca c la c

rat pdf now is not type of inspiring

online library les fils du pa c cha c tome 4 le sca c la c - Mar 10 2023

web les fils du pa c cha c tome 4 le sca c la c rat j pdf introduction les fils du pa c cha c tome 4 le sca c la c rat j pdf free

histoire physique économique et

les fils du péché tome 4 le scélétrat j ai lu aventures - Apr 30 2022

web noté 5 retrouvez le fils du chat tome 4 monsieur casterman et des millions de livres en stock sur amazon fr achetez neuf ou d occasion

les fils du pa c cha c tome 4 le sca c la c rat pdf copy - Aug 03 2022

web les fils du pa c cha c tome 4 le sca c la c rat pdf pages 2 2 les fils du pa c cha c tome 4 le sca c la c rat pdf upload suny p williamson 2 2 downloaded from

les fils du pa c cha c tome 4 le sca c la c rat pdf nba - Dec 07 2022

web les fils du pa c cha c tome 4 le sca c la c rat pdf is simple in our digital library an online access to it is set as public consequently you can download it instantly

les fils du péché tome 4 le scélétrat anna campbell - Jul 14 2023

web jun 14 2023 les fils du pa c cha c tome 4 le sca c la c rat j pdf when people should go to the ebook stores search inauguration by shop shelf it will enormously

le fils du chat tome 4 monsieur casterman amazon fr - Mar 30 2022

web aug 27 2001 vous utilisez adblock ou un autre logiciel qui bloque les zones publicitaires ces emplacements publicitaires sont une source de revenus indispensable

les fils du pa c cha c tome 4 le sca c la c rat j pdf free - Jun 01 2022

web jul 1 2023 dans le fils bien aimé en lui par son sang nous avons le rachat le pardon des péchés c est la richesse de sa grâce dont il déborde jusqu'à nous en toute intelligence

cédric 4 papa a de la classe bedetheque - Feb 26 2022

web bölüm tek parça full hd İzle puhutv Çocuk 1 sezon 4 bölüm konu akça hasan in elindedir akça içinse hasan dan kurtulmanın tek yolu ya canından olmak ya da hasan in

les fils du pa c cha c tome 4 le sca c la c rat pdf - Nov 06 2022

web dec 3 2019 la librairie gallimard vous renseigne sur les fils du péché tome 4 le scélétrat de l auteur campbell anna 9782290203293 vous êtes informés sur sa

les fils du pa c cha c tome 4 le sca c la c rat j pdf - Sep 23 2021

les fils du pa c cha c tome 4 le sca c la c rat j pdf full pdf - Jun 13 2023

web jul 3 2023 les fils du pa c cha c tome 4 le sca c la c rat pdf if you ally dependence such a referred les fils du pa c cha c tome 4 le sca c la c rat pdf

les fils du pa c cha c tome 4 le sca c la c rat j pdf free - Feb 09 2023

web jul 7 2023 if you object to download and install the les fils du pa c cha c tome 4 le sca c la c rat it is very easy then back currently we extend the link to buy and create

păcatul unei mame serial turcesc ep 4 subtitrat romana - Dec 27 2021

web Çocuk Çocuk dört kadının annelikleriyle sınındığı yolda çocuklarının da anneleriyle sınanacağı bir hikayedir hayat kadını bir annenin kızı olan akça kendi evladına daha

online library les fils du pa c cha c tome 4 le sca c la c - Jan 08 2023

web recognizing the pretension ways to get this books les fils du pa c cha c tome 4 le sca c la c rat pdf is additionally useful you have remained in right site to start getting this

les fils du pa c cha c tome 4 le sca c la c rat pdf - Sep 04 2022

web guide les fils du pa c cha c tome 4 le sca c la c rat pdf as you such as by searching the title publisher or authors of guide you in point of fact want you can

Çocuk 1 sezon 4 bölüm tek parça full hd İzle puhutv - Jan 28 2022

web jul 15 2021 100 episodul 4 tradus in romana din acest serial dramatic turcesc ce descrie pataniile unei mame fara sot ce lucreaza la un magazin pescareasc intr un

baba candir episodul 4 online subtitrat seriale turcesti online - Oct 25 2021

web les fils du pa c cha c tome 4 le sca c la c rat j pdf les fils du pa c cha c tome 4 le sca c la c rat j pdf could accumulate your near connections listings this is just one of

les fils du péché tome 4 le scélérat anna campbell - Aug 15 2023

web dec 4 2019 retrouvez l ebook les fils du péché tome 4 le scélérat de anna campbell Éditeur j ai lu format epub librairie decitre votre prochain livre est là

les fils du pa c cha c tome 4 le sca c la c rat j pdf pdf - Apr 11 2023

web jul 9 2023 search hundreds times for their chosen readings like this les fils du pa c cha c tome 4 le sca c la c rat but end up in malicious downloads rather than

romancero marroquí el cine africanista durante la guerra civil - Sep 25 2023

web romancero marroqui el cine africanista durante la guerra civil elena alberto 1958 free download borrow and streaming internet archive by elena alberto 1958 publication date 2005 topics velo carlos romancero

[romancero marroquí el cine africanista durante la](#) - Mar 19 2023

web el libro romancero marroquí el cine africanista durante la guerra civil de alberto elena en casa del libro descubre las mejores ofertas y envíos gratis

romancero marroquí el cine africanista durante la guerra civil - Sep 13 2022

web romancero marroquí el cine africanista durante la guerra civil alberto elena madrid filmoteca española instituto de la cinematografía y de la artes audiovisuales ministerio de cultura 2004 128 p ill 24 cm elena alberto da14027548

romancero marroquí el cine africanista durante la guerra civil - Oct 14 2022

web abebooks com romancero marroquí el cine africanista durante la guerra civil spanish edition 9788486877354 by elena dÍaz alberto et al and a great selection of similar new used and collectible books available now at great prices

romancero marroquí el cine africanista durante la guerra civil - Jun 22 2023

web romancero marroquí el cine africanista durante la guerra civil dialnet autores alberto elena dÍaz editores madrid filmoteca española 2004 i e 2005 año de publicación 2004 2005 país españa idioma español isbn 84 86877 35 0 texto completo no disponible saber más otros catálogos red de bibliotecas

[romancero marroquí el cine africanista durante la guerra civil](#) - Dec 16 2022

web antropología geografía e historia arquitectura arte y fotografía ciencias sociales ciencias filosofía y religión cine música y teatro comics estudios sobre lengua y literatura gastronomía y cocina infantil y juvenil literatura viajes

romancero marroquí el cine africanista durante la guerra civil - Feb 18 2023

web romancero marroquí el cine africanista durante la guerra civil finden sie alle bücher von alberto elena dÍaz bei der büchersuchmaschine eurobuch de können sie antiquarische und neubücher vergleichen und sofort zum bestpreis bestellen 9788486877354 romancero marroquí el cine africano durante la

proyección de cine romancero marroquí instituto cervantes - Aug 12 2022

web jan 16 2007 documental que trata el tema de la guerra civil española desde el posicionamiento de la participación marroquí realizado en la zona franquista por el republicano exiliado en méxico carlos velo la película comienza siendo un documental etnográfico sobre la vida en el sahara y el alistamiento de un joven marroquí a las filas

la caza del paco la evolución del africanismo franquista a - Jul 11 2022

web oct 2 2023 elena alberto romancero marroquí el cine africanista durante la guerra civil filmoteca española madrid 2004 expediente picasso madrid ediciones morata 1931 almena madrid 2003 1922 franco bahamonde francisco diario de una bandera pueyo madrid 1922 editorial católica española sevilla 1939 afrodisio

enrique domÍnguez rodiño wikipedia la enciclopedia libre - May 09 2022

Foxboro 43ap Pneumatic Controller Relay Assembly Parts List

web romancero marroquí el cine africanista durante la guerra civil cuadernos de la filmoteca española n ° 10 madrid 2004
manuel nicolás meseguer la intervención velada el apoyo cinematográfico alemán al bando franquista 1936 1939 ed
universidad de murcia primavera cinematográfica de lorca murcia 2004 notas

romancero marroquí el cine africanista durante la guerra civil - Apr 20 2023

web romancero marroquí el cine africanista durante la guerra civil elena díaz alberto et al amazon com tr kitap

romancero marroquí el cine africanista durante la - May 21 2023

web romancero marroquí el cine africanista durante la guerra civil alberto elena díaz 10 00 análisis pormenorizado de la
película romancero marroquí cuenta las vicisitudes de su rodaje el estreno y la producción de este film

romancero marroquí el cine africanista durante la richard toye - Feb 06 2022

web romancero marroquí el cine africanista durante la recognizing the mannerism ways to get this books romancero
marroqui el cine africanista durante la is additionally useful you have remained in right site to start getting this info acquire
the romancero marroqui el cine africanista durante la associate that we provide here and check out

romancero marroquí el cine africanista durante la guerra civil la - Jan 17 2023

web análisis pormenorizado de la película romancero marroquí cuenta las vicisitudes de su rodaje el estreno y la producción
de este film la librería de doña leo

romancero marroquí 1939 directed by carlos velo letterboxd - Apr 08 2022

web the young farmer aalami leaves his family to find work elsewhere he gets to know the country and its people customs
and traditions at küste in north africa market life in tetuan the art of craftsmanship the life of the moors dances and
festivities in honour of the caliph white mosques the call of the muezzin of the minaret and the music of the shepherd

romancero marroquí 1939 imdb - Mar 07 2022

web romancero marroquí directed by enrique domínguez rodiño carlos velo with aalami georg eilert fatma

romancero marroquí el cine africanista durante la guerra civil - Nov 15 2022

web análisis pormenorizado de la película romancero marroquí cuenta las vicisitudes de su rodaje el estreno y la producción
de este film

marruecos y los marroquíes en la propaganda oficial del - Jun 10 2022

web revista de historia del cine 4 pp 83 118 elena alberto 2004 romancero marroquí el cine africanista durante la guerra civil
madrid fernández colorado luis 1998 visiones imperiales documental y propaganda en el cine español 1927 1930 en josetxo
cerdán y julio perez perucha coords tras el sueño cien años de cine

romancero marroquí el cine africanista durante la guerra civil - Jul 23 2023

web romancero marroquí el cine africanista durante la guerra civil a 457723 alberto elena filmoteca española instituto de la

Foxboro 43ap Pneumatic Controller Relay Assembly Parts List

cinematografía y de la artes audiovisuales ministerio de cultura madrid 2004

romancero marroquí el cine africanista durante la guerra civil - Aug 24 2023

web romancero marroquí el cine africanista durante la guerra civil semantic scholar corpus id 193259121 romancero

marroquí el cine africanista durante la guerra civil a elena published 2004 art no paper link available save to library create

alert cite 4 citations citation type more filters