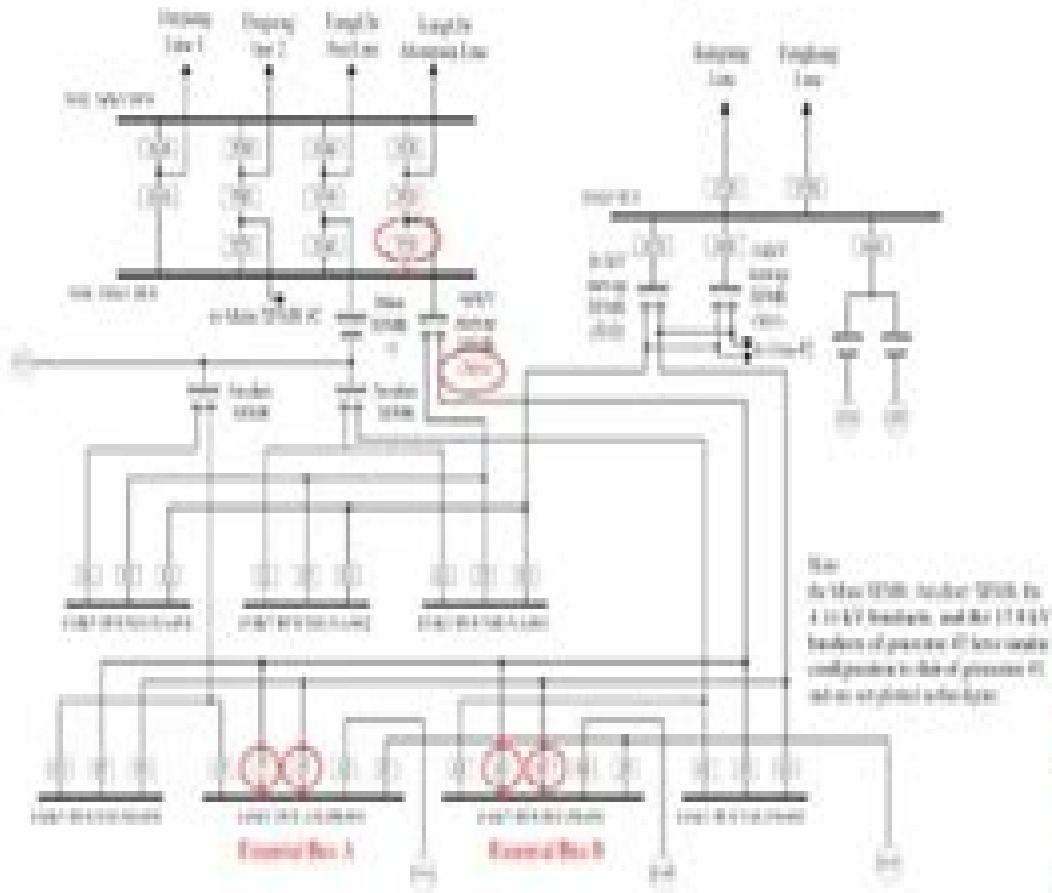


# Power System Protection Systems



Basic connection diagram of protection relay



**Electrical 4 U**

# Power Systems Protection Engineering Training Idc

**Hongru Du**



**Power Systems Protection Engineering Training Idc:**

The Enigmatic Realm of **Power Systems Protection Engineering Training Idc**: Unleashing the Language is Inner Magic

In a fast-paced digital era where connections and knowledge intertwine, the enigmatic realm of language reveals its inherent magic. Its capacity to stir emotions, ignite contemplation, and catalyze profound transformations is nothing lacking extraordinary. Within the captivating pages of **Power Systems Protection Engineering Training Idc** a literary masterpiece penned with a renowned author, readers embark on a transformative journey, unlocking the secrets and untapped potential embedded within each word. In this evaluation, we shall explore the book's core themes, assess its distinct writing style, and delve into its lasting affect the hearts and minds of those who partake in its reading experience.

<https://py.bijouxmedusa.com/files/uploaded-files/default.aspx/Application%20Of%20Digital%20Signal%20Processing%20To%20Hearing%20Aids.pdf>

## **Table of Contents Power Systems Protection Engineering Training Idc**

1. Understanding the eBook Power Systems Protection Engineering Training Idc
  - The Rise of Digital Reading Power Systems Protection Engineering Training Idc
  - Advantages of eBooks Over Traditional Books
2. Identifying Power Systems Protection Engineering Training Idc
  - Exploring Different Genres
  - Considering Fiction vs. Non-Fiction
  - Determining Your Reading Goals
3. Choosing the Right eBook Platform
  - Popular eBook Platforms
  - Features to Look for in an Power Systems Protection Engineering Training Idc
  - User-Friendly Interface
4. Exploring eBook Recommendations from Power Systems Protection Engineering Training Idc
  - Personalized Recommendations
  - Power Systems Protection Engineering Training Idc User Reviews and Ratings

- Power Systems Protection Engineering Training Idc and Bestseller Lists
- 5. Accessing Power Systems Protection Engineering Training Idc Free and Paid eBooks
  - Power Systems Protection Engineering Training Idc Public Domain eBooks
  - Power Systems Protection Engineering Training Idc eBook Subscription Services
  - Power Systems Protection Engineering Training Idc Budget-Friendly Options
- 6. Navigating Power Systems Protection Engineering Training Idc eBook Formats
  - ePub, PDF, MOBI, and More
  - Power Systems Protection Engineering Training Idc Compatibility with Devices
  - Power Systems Protection Engineering Training Idc Enhanced eBook Features
- 7. Enhancing Your Reading Experience
  - Adjustable Fonts and Text Sizes of Power Systems Protection Engineering Training Idc
  - Highlighting and Note-Taking Power Systems Protection Engineering Training Idc
  - Interactive Elements Power Systems Protection Engineering Training Idc
- 8. Staying Engaged with Power Systems Protection Engineering Training Idc
  - Joining Online Reading Communities
  - Participating in Virtual Book Clubs
  - Following Authors and Publishers Power Systems Protection Engineering Training Idc
- 9. Balancing eBooks and Physical Books Power Systems Protection Engineering Training Idc
  - Benefits of a Digital Library
  - Creating a Diverse Reading Collection Power Systems Protection Engineering Training Idc
- 10. Overcoming Reading Challenges
  - Dealing with Digital Eye Strain
  - Minimizing Distractions
  - Managing Screen Time
- 11. Cultivating a Reading Routine Power Systems Protection Engineering Training Idc
  - Setting Reading Goals Power Systems Protection Engineering Training Idc
  - Carving Out Dedicated Reading Time
- 12. Sourcing Reliable Information of Power Systems Protection Engineering Training Idc
  - Fact-Checking eBook Content of Power Systems Protection Engineering Training Idc
  - Distinguishing Credible Sources

13. Promoting Lifelong Learning
  - Utilizing eBooks for Skill Development
  - Exploring Educational eBooks
14. Embracing eBook Trends
  - Integration of Multimedia Elements
  - Interactive and Gamified eBooks

### **Power Systems Protection Engineering Training Idc Introduction**

In today's digital age, the availability of Power Systems Protection Engineering Training Idc books and manuals for download has revolutionized the way we access information. Gone are the days of physically flipping through pages and carrying heavy textbooks or manuals. With just a few clicks, we can now access a wealth of knowledge from the comfort of our own homes or on the go. This article will explore the advantages of Power Systems Protection Engineering Training Idc books and manuals for download, along with some popular platforms that offer these resources. One of the significant advantages of Power Systems Protection Engineering Training Idc books and manuals for download is the cost-saving aspect. Traditional books and manuals can be costly, especially if you need to purchase several of them for educational or professional purposes. By accessing Power Systems Protection Engineering Training Idc versions, you eliminate the need to spend money on physical copies. This not only saves you money but also reduces the environmental impact associated with book production and transportation. Furthermore, Power Systems Protection Engineering Training Idc books and manuals for download are incredibly convenient. With just a computer or smartphone and an internet connection, you can access a vast library of resources on any subject imaginable. Whether you're a student looking for textbooks, a professional seeking industry-specific manuals, or someone interested in self-improvement, these digital resources provide an efficient and accessible means of acquiring knowledge. Moreover, PDF books and manuals offer a range of benefits compared to other digital formats. PDF files are designed to retain their formatting regardless of the device used to open them. This ensures that the content appears exactly as intended by the author, with no loss of formatting or missing graphics. Additionally, PDF files can be easily annotated, bookmarked, and searched for specific terms, making them highly practical for studying or referencing. When it comes to accessing Power Systems Protection Engineering Training Idc books and manuals, several platforms offer an extensive collection of resources. One such platform is Project Gutenberg, a nonprofit organization that provides over 60,000 free eBooks. These books are primarily in the public domain, meaning they can be freely distributed and downloaded. Project Gutenberg offers a wide range of classic literature, making it an excellent resource for literature enthusiasts. Another popular platform for Power Systems Protection Engineering Training Idc books and manuals is Open Library. Open Library is

an initiative of the Internet Archive, a non-profit organization dedicated to digitizing cultural artifacts and making them accessible to the public. Open Library hosts millions of books, including both public domain works and contemporary titles. It also allows users to borrow digital copies of certain books for a limited period, similar to a library lending system. Additionally, many universities and educational institutions have their own digital libraries that provide free access to PDF books and manuals. These libraries often offer academic texts, research papers, and technical manuals, making them invaluable resources for students and researchers. Some notable examples include MIT OpenCourseWare, which offers free access to course materials from the Massachusetts Institute of Technology, and the Digital Public Library of America, which provides a vast collection of digitized books and historical documents. In conclusion, Power Systems Protection Engineering Training Idc books and manuals for download have transformed the way we access information. They provide a cost-effective and convenient means of acquiring knowledge, offering the ability to access a vast library of resources at our fingertips. With platforms like Project Gutenberg, Open Library, and various digital libraries offered by educational institutions, we have access to an ever-expanding collection of books and manuals. Whether for educational, professional, or personal purposes, these digital resources serve as valuable tools for continuous learning and self-improvement. So why not take advantage of the vast world of Power Systems Protection Engineering Training Idc books and manuals for download and embark on your journey of knowledge?

### **FAQs About Power Systems Protection Engineering Training Idc Books**

How do I know which eBook platform is the best for me? Finding the best eBook platform depends on your reading preferences and device compatibility. Research different platforms, read user reviews, and explore their features before making a choice. Are free eBooks of good quality? Yes, many reputable platforms offer high-quality free eBooks, including classics and public domain works. However, make sure to verify the source to ensure the eBook credibility. Can I read eBooks without an eReader? Absolutely! Most eBook platforms offer webbased readers or mobile apps that allow you to read eBooks on your computer, tablet, or smartphone. How do I avoid digital eye strain while reading eBooks? To prevent digital eye strain, take regular breaks, adjust the font size and background color, and ensure proper lighting while reading eBooks. What the advantage of interactive eBooks? Interactive eBooks incorporate multimedia elements, quizzes, and activities, enhancing the reader engagement and providing a more immersive learning experience. Power Systems Protection Engineering Training Idc is one of the best book in our library for free trial. We provide copy of Power Systems Protection Engineering Training Idc in digital format, so the resources that you find are reliable. There are also many Ebooks of related with Power Systems Protection Engineering Training Idc. Where to download Power Systems Protection Engineering

Training Idc online for free? Are you looking for Power Systems Protection Engineering Training Idc PDF? This is definitely going to save you time and cash in something you should think about. If you trying to find then search around for online. Without a doubt there are numerous these available and many of them have the freedom. However without doubt you receive whatever you purchase. An alternate way to get ideas is always to check another Power Systems Protection Engineering Training Idc. This method for see exactly what may be included and adopt these ideas to your book. This site will almost certainly help you save time and effort, money and stress. If you are looking for free books then you really should consider finding to assist you try this. Several of Power Systems Protection Engineering Training Idc are for sale to free while some are payable. If you arent sure if the books you would like to download works with for usage along with your computer, it is possible to download free trials. The free guides make it easy for someone to free access online library for download books to your device. You can get free download on free trial for lots of books categories. Our library is the biggest of these that have literally hundreds of thousands of different products categories represented. You will also see that there are specific sites catered to different product types or categories, brands or niches related with Power Systems Protection Engineering Training Idc. So depending on what exactly you are searching, you will be able to choose e books to suit your own need. Need to access completely for Campbell Biology Seventh Edition book? Access Ebook without any digging. And by having access to our ebook online or by storing it on your computer, you have convenient answers with Power Systems Protection Engineering Training Idc To get started finding Power Systems Protection Engineering Training Idc, you are right to find our website which has a comprehensive collection of books online. Our library is the biggest of these that have literally hundreds of thousands of different products represented. You will also see that there are specific sites catered to different categories or niches related with Power Systems Protection Engineering Training Idc So depending on what exactly you are searching, you will be able to choose ebook to suit your own need. Thank you for reading Power Systems Protection Engineering Training Idc. Maybe you have knowledge that, people have search numerous times for their favorite readings like this Power Systems Protection Engineering Training Idc, but end up in harmful downloads. Rather than reading a good book with a cup of coffee in the afternoon, instead they juggled with some harmful bugs inside their laptop. Power Systems Protection Engineering Training Idc is available in our book collection an online access to it is set as public so you can download it instantly. Our digital library spans in multiple locations, allowing you to get the most less latency time to download any of our books like this one. Merely said, Power Systems Protection Engineering Training Idc is universally compatible with any devices to read.

### **Find Power Systems Protection Engineering Training Idc :**

application of digital signal processing to hearing aids  
ap psychology chapter 1 test myers

**ap psychology chapter 8 learning**

[apex algebra 2 semester 1 quiz answers pdf](#)

[arranging songs](#)

**artemis fowl 6 the time paradox publib**

*arrrl handbook*

*artemis fowl the lost colony book 5 joannedennis*

[aprilie pegaso 650 ie engine](#)

[armature winding and motor repair](#)

*approximation algorithm vazirani solution*

*apta guide to physical therapist practice*

*api 611 pdf cerrutiore*

**archangels and ascended masters doreen virtue**

*aoac 15th edition official methods volume 2*

**Power Systems Protection Engineering Training Idc :**

*gekonnt moderieren kreativ präsentieren weiterbildung tuv - Aug 28 2022*

web gekonnt moderieren kreativ präsentieren virtuelles klassenzimmer jederzeit verfügbar bildungsgutschein 1 bis 4 wochen teilnahme von zu hause alle infos als pdf produktcode uvucn geförderte weiterbildung moderation und präsentation sind aufgaben die in vielen situationen des berufsalltags zu bewältigen sind

**gekonnt moderieren by martin hartmann open library - Apr 04 2023**

web mar 1 2001 gekonnt moderieren by martin hartmann rüdiger funk christian arnold march 1 2001 beltz edition paperback in german deutsch

[gekonnt moderiert english translation linguee - Sep 09 2023](#)

web many translated example sentences containing gekonnt moderiert english german dictionary and search engine for english translations

**7 goldene regeln für moderatoren wirtschaftswissen de - Aug 08 2023**

web mar 22 2008 7 goldene regeln für moderatoren aa rhetorik 1 min stand 22 03 2008 redaktion wirtschaftswissen als moderator müssen sie was meinungen und wertungen betrifft im hintergrund bleiben sie dürfen die beiträge der teilnehmer weder kommentieren noch inhaltlich bewerten ein kompetenter moderator

**duden moderieren rechtschreibung bedeutung definition - Mar 03 2023**

web rechtschreibung worttrennung mo de rie ren bedeutung eine sendung durch einführende worte und verbindende kommentare in ihrem ablauf betreuen beispiele ein politisches magazin moderieren in übertragener bedeutung eine selbsthilfegruppe moderieren leitend mit der gruppe arbeiten

richtig moderieren eine diskussion begleiten baber consulting - Jul 27 2022

web dec 2 2020 jeder buchstabe ist eine abkürzung für eine handlung die sie als moderator in ausführen sollen 1 t wie thema ankündigen ankündigen heißt das nötigste sagen leiten sie auf das thema der diskussion hin und benennen es dabei beantworten sie automatisch die frage worum es geht ohne zu tief in die materie

gekonnt moderieren youtube - Mar 23 2022

web eine gekonnte moderation entscheidet oft über den erfolg der veranstaltung und der unternehmens bzw workshopziele der moderator und autor gerd schilling e

**gekonnt moderieren teamsitzung besprechung und meeting** - Apr 23 2022

web gekonnt moderieren teamsitzung besprechung und meeting zielgerichtet und ergebnisorientiert paperback german edition 5 0 1 rating see all formats and editions

**moderierte gekonnt english translation linguae** - Feb 02 2023

web many translated example sentences containing moderierte gekonnt english german dictionary and search engine for english translations

**gekonnt moderieren beltz taschenbuch amazon de** - Jul 07 2023

web gekonnt moderieren beltz taschenbuch hartmann martin funk rüdiger arnold christian amazon de bücher *moderationstechniken gekonnt und effizient moderieren kbw* - Oct 30 2022

web fachseminar orte berlin format hybrid preis ab 465 00 ust befreit termine und anmeldung inhouse schulung anfragen schwerpunkte moderationstechniken zur bearbeitung von problemen problemanalysen kreative arbeitstechniken u a erfolgreiches moderieren von beginn an der moderator als worte und werteführer

**moderieren bedeutung definition wortbedeutung** - Sep 28 2022

web moderieren bedeutung synonyme Übersetzung rechtschreibung beispiele silbentrennung

**gekonnt moderieren readingsample net framework** - May 05 2023

web gekonnt moderieren bearbeitet von martin hartmann rüdiger funk klaus wittkuhn ulrike rath originalausgabe 4 überarbeitete und erweiterte aufl 2010 taschenbuch 191 s paperback isbn 978 3 407 22623 5 format b x l 13 4 x 20 7 cm gewicht 259 g wirtschaft wirtschaftswissenschaften allgemeines literatur für manager

*wie sie besprechungen gekonnt moderieren sekada* - Jun 06 2023

web 1 vorbereitung bevor die besprechung beginnt gehen sie den möglichen verlauf geistig schon einmal durch welche

punkte müssen geklärt werden welche reihenfolge ist dafür sinnvoll 2 warming up sprechen sie ein paar einleitende auflockernde worte

**gekonnt moderieren edmunds stimme youtube** - Nov 30 2022

web flüssiges und gekonntes moderieren erfordert vor allem Übung Übung Übung edmund stössel und sein team bringen ihnen die feinheiten nahe besuchen sie uns

*9783407226037 gekonnt moderieren abebooks* - May 25 2022

web gekonnt moderieren by hartmann martin funk rüdiger wittkuhn klaus d at abebooks co uk isbn 10 3407226039 isbn 13 9783407226037 beltz gmbh julius 2005 softcover

**gekonnt moderieren kreativ präsentieren isb academy** - Feb 19 2022

web visualisieren zweck mittel handwerk planung storyboard umsetzung präsentieren thema ziel zielgruppe rahmen und mittel ablauf und organisation kleidung stimme und haltung mit störungen umgehen moderieren thema und ziel zielgruppe und rahmen ablauf und organisation themen und teilnehmerorientierung nachbereitung von

**moderieren deutsch türkisch Übersetzung pons** - Jan 01 2023

web Übersetzung deutsch türkisch für moderieren im pons online wörterbuch nachschlagen gratis vokabeltrainer verbtabellen aussprachefunktion

*weiterbildung gekonnt moderieren kreativ präsentieren ibb* - Jun 25 2022

web weiterbildung gekonnt moderieren kreativ präsentieren moderation und präsentation sind aufgaben die in vielen situationen des berufsalltags zu bewältigen sind wer gut vorbereitet ist und die durchführung beherrscht kann in verkaufssituationen ebenso bestehen wie in workshops und meetings weiterlesen

gekonnt moderieren taschenbuch 22 februar 2010 amazon de - Oct 10 2023

web gekonnt moderieren hartmann martin funk rüdiger wittkuhn klaus rath ulrike isbn 9783407226235 kostenloser versand für alle bücher mit versand und verkauf duch amazon gekonnt moderieren hartmann martin funk rüdiger wittkuhn klaus rath ulrike amazon de bücher

badische weinstrasse nördlicher teil ortenau kraichgau - Aug 07 2023

web badische weinstrasse nördlicher teil ortenau kraichgau livre état très bon eur 5 89 À vendre d occasion très bon second hand very good il peut s agir 125583203432

**badische weinstraße nördlicher teil ortenau kraichgau badische** - Oct 29 2022

web badischer wein gmbh mauerbergstraße 32 76534 baden baden 07223 8303077 07223 8307843 info badischerwein de sie erreichen uns montag bis donnerstag die badische weinstraße franz hilger taschenbuch 12 80 badische weinstraße nördlicher teil ortenau kraichgau badische bergstraße liebliches taubertal mobil amp aktiv erleben wohnmobil

**badische weinstraße weinparadies ortenau** - Sep 08 2023

web badische weinstraße die badische weinstrasse fahrspaß durch malerische weinorte 100 km genuss die badische weinstraße ortenau führt auf über 100 kilometern durch den weinbaubereich ortenau mit einer rebfläche von 2 700 hektar  
*badische weinstrasse nordlicher teil ortenau krai 2023* - Sep 27 2022

web their computer badische weinstrasse nordlicher teil ortenau krai is approachable in our digital library an online entry to it is set as public so you can download it instantly our digital library saves in combined countries allowing you to get the most less latency times to download any of our books afterward this one

**badische weinstrasse nordlicher teil ortenau krai 2023** - May 24 2022

web transformative change is actually awe inspiring enter the realm of badische weinstrasse nordlicher teil ortenau krai a mesmerizing literary masterpiece penned with a distinguished author guiding readers on a profound journey to unravel the secrets and potential hidden within every word

**badische weinstraße nördlicher teil ortenau kraichgau badische** - Nov 29 2022

web aug 21 2023 region kraichgau badischer wein von der sonne verwöhnt region baden wein aus dem badischen breisgau ortenau badische weinstraße nördlicher teil von johannes reisen reiseführer badische weinstraße nördlicher teil badische weinstraße badische weinstraße - Apr 03 2023

web von baden baden am westrand des nördlichen schwarzwaldes führt sie durch die ortenau und den breisgau in die vorberge des schwarzwaldes legt schleifen um kaiserstuhl und tuniberg im oberrheintal und verläuft weiter durch das liebliche markgräflerland bis fast nach basel im süden

*badische weinstrasse nordlicher teil ortenau krai download* - Jul 26 2022

web die badische weinstraße südlicher teil liegt im südwesten von deutschland und schlängelt sich über 200 km entlang der vorbergzone des schwarzwalds und der oberrheinebene

**regionen orte badische weinstraße** - May 04 2023

web weinregionen orte aufgereiht wie an der berühmten perlenkette präsentieren sich unsere charmanten weinorte entlang der badischen weinstraße tauche ein in unsere regionen entdecke die einzigartigen und idyllischen dörfer und städte mit all ihrer tradition und lass dich inspirieren von so mancher sehenswürdigkeit

badische weinstraße nördlicher teil ortenau kraichgau badische - Mar 02 2023

web klappentext zu badische weinstrasse nördlicher teil top ten tipps für ihre erlebnisreise mit dem wohnmobil 1 älteste und längste weinstrasse deutschland schon 1954 wurde die badische weinstrasse zwischen weil am rhein und baden baden eröffnet 2014 wurde sie bis ins liebliche taubertal erweitert

**badische weinstraße schwarzwald netz** - Dec 31 2022

web badische weinstraße heisst eine wein route im schwarzwald in deren verlauf sich alles um weingenuss weinanbau und badischen wein dreht die badische weinstraße führt über fast 170 kilometer von baden baden nach weil am rhein an der westseite des schwarzwalds und verläuft in einer schleife um die weinberge an kaiserstuhl und tuniberg

**badische weinstraße nördlicher teil ortenau kraichgau badische** - Feb 18 2022

web badische weinstraße nördlicher teil freytag amp berndt badische weinstrasse nördlicher teil buch badische weinstraße genussroute auf deutschlands badische weinstraße weinerlebnis zwischen schwarzwald baden wine road badische weinstraße rick steves travel 1 badische bergstraße weingüter wein aus dem badischen breisgau ortenau

badische weinstraße nördlicher teil ortenau kraichgau badische - Mar 22 2022

web sep 10 2023 badische weinstraße badische weinstrasse nördlicher teil buch badische weinstraße weinerlebnis zwischen schwarzwald 60 jahre badische weinstraße schallstadt

*badische weinstrasse nordlicher teil ortenau krai pdf* - Jun 24 2022

web jun 28 2023 badische weinstrasse nordlicher teil ortenau krai 2 4 downloaded from uniport edu ng on june 28 2023 by guest planning of weimar s botanical park and the rebuilding of its ducal palace which in 1998 were together designated a unesco world heritage site arthur schopenhauer cited wilhelm meister s apprenticeship as one of the

**ortenau badische weinstraße** - Jul 06 2023

web ortenau das weinparadies ortenau liegt im herzen badens zwischen gernsbach im murgtal und gengenbach im vorderen kinzigtal eine vielfältige und einzigartige kulturlandschaft erwartet den besucher zwischen rheinufern und rebhängen malerische winzerdörfer schmiegen sich an die hügel und täler der vorgebirgszone

**badische weinstraße badische weinstraße** - Oct 09 2023

web die badische weinstraße sie ist das genuss highlight im sonnigen süden die route verläuft durch ganz baden und verbindet die bedeutendsten weinbauregionen miteinander winzerbetriebe weinorte und landschaftliche höhepunkte warten darauf von

**badische weinstraße nördlicher teil ortenau amazon de** - Feb 01 2023

web badische weinstraße nördlicher teil ortenau kraichgau badische bergstraße liebliches taubertal mobil aktiv erleben wohnmobil reiseführer touren und insider tipps hünerefeld johannes hünerefeld johannes hünerefeld johannes hünerefeld johannes amazon de bücher bücher

badische weinstraße geniessen sie deutschlands längste - Jun 05 2023

web dann sind sie an der badischen weinstraße genau richtig sie durchläuft die weinbaubereiche badische bergstraße kraichgau ortenau kaiserstuhl tuniberg breisgau und markgräflerland des weinbaugesbietes baden das mit einer rebfläche von 15 906 hektar das drittgrößte deutsche weinbaugesbiet ist

[badische weinstrasse nordlicher teil ortenau kraiberg - Apr 22 2022](#)

web badische weinstrasse nordlicher teil ortenau kraiberg 1 badische weinstrasse nordlicher teil ortenau kraiberg recognizing the showing off ways to acquire this badische weinstrasse nordlicher teil ortenau kraiberg 3 3 nice large 6 x 9 size continental atlas springer science business media medieval archaeology is a relatively young

**badische weinstrasse nordlicher teil ortenau kraiberg badische** - Aug 27 2022

web jun 5 2023 badische weinstrasse nordlicher teil ortenau kraiberg badische bergstrasse liebliches taubertal mobil aktiv erleben wohnmobil reiseführer by johannes hünnerfeld in the abode office or maybe in your technique can be every ideal location within internet connections why dont you strive to get fundamental thing in the start we pay

**upsc nda 2021 part a english general ability test jagran** - Jun 05 2022

web mar 25 2021 general ability test consists of 150 questions from two sections which are english part a and general knowledge part b part a english section of gat will consist of 50 questions of total

[welcome to upsc upsc](#) - Sep 20 2023

web prepare for the national defence academy and naval academy examination i 2023 with this official question paper of the general ability test this pdf contains 150 questions on english general knowledge and science with detailed answers and explanations download it now and boost your confidence and score

[upsc nda 1 2022 exam gat solved paper practice general ability](#) - Sep 08 2022

web apr 8 2022 general ability test consists of 150 questions from two sections which are english part a and general knowledge part b part b general knowledge section of gat will consist of 100

[nda general ability test syllabus 2023 24 vedantu](#) - May 04 2022

web oct 8 2023 all the topics of the nda general ability test syllabus 2023 pdf are available for download here nda 2023 syllabus involves mathematics and general ability areas public defense academy nda is the joint services institute of the indian armed forces the upsc union public service commission leads a public level test called

[upsc nda 2 general ability test mock test 2022 vedantu](#) - Feb 01 2022

web mock tests for nda 2 general ability tests provide you will a detailed outlook of the nda 2 general ability exam layout format and typology of common questions it is a great tool to analyse your preparation positive points and weaknesses and work on them efficiently

**upsc nda 1 2022 exam gat english solved paper practice general ability** - Jul 06 2022

web apr 8 2022 to score high marks in upsc nda na 1 2022 exam candidates must start practicing the important questions for the general ability test section of the exam upsc nda 1 2022 part a

[upsc nda general ability test syllabus](#) - Nov 10 2022

web upsc nda general ability test syllabus general ability test paper is divided into two parts part a and part b part a has 50 english questions and part b has 100 general knowledge questions there is penalty for wrong answers in the objective type question papers part a english 200 marks

*upsc nda 2021 general ability test gat check important general - Jul 18 2023*

web apr 13 2021 upsc nda 2021 general ability test gat important general knowledge topics 400 marks upsc nda 2021 exam will be conducted on 18th april 2021 the written exam will be conducted

**general ability test nda important part of the nda written exam - Oct 09 2022**

web general ability test nda learn how to prepare for the gat stay ahead by learning about gat syllabus expert recommended books for gat of the nda examination

welcome to upsc upsc - Jan 12 2023

web do you want to prepare for the general ability test of the national defence academy and naval academy examination ii 2018 download the official question paper from upsc and test your knowledge and skills in english general knowledge and science

upsc nda na general ability test paper ii book 2023 - Aug 07 2022

web upsc nda na general ability test paper ii book 2023 english edition 7 mock tests and 3 previous year papers 1500 solved questions with free access to online tests edugorilla prep experts amazon com tr kitap

welcome to upsc upsc - Mar 14 2023

web f j y u g t a 1338617 i i l i i i l i i i i i i l l 600 v q t o m r a b c i 150 b i r p t b a i l i à a i à f à r 3 t r q 3 t à 1 2 3 5

**full page photo upsc - Feb 13 2023**

web general ability test test booklet series marks 600 thirty minutes insitwchons immediately the commencement of the examination you should check that this test booklet does not have any unprinted or torn or missing pages or items etc if so get it

upsc nda general ability test syllabus part a english 200 - Jun 17 2023

web upsc nda general ability test syllabus general ability test paper is divided into two parts part a and part b part a has 50 english questions and part b has 100 general knowledge questions there is penalty for wrong answers in the objective type question papers part a english 200 marks

**nda general ability previous year papers download pdf - Apr 15 2023**

web nov 9 2021 nda general ability previous year papers as we all know upsc has released the notification of nda ii 2021 on 9th june 2021 on its official website nda exam is conducted twice every year by upsc union public service commission to select eligible candidates for admission to the elite national defence academy and naval academy

[nda syllabus 2023 mathematics gat latest nda exam pattern](#) - Mar 02 2022

web nda syllabus upsc sets the nda syllabus aspirants must know the latest nda exam pattern and syllabus if they wish to qualify the nda exams to get into the indian defense force nda written exam for general ability test gat now the general ability test gat is further subdivided into two parts

**upsc nda 2021 general ability test part b general knowledge** - Aug 19 2023

web mar 25 2021 general ability test consists of 150 questions from two sections which are english part a and general knowledge part b of 4 marks each part b general knowledge section of gat will

*welcome to upsc upsc* - May 16 2023

web welcome to upsc upsc

[practice upsc nda general ability mock tests youth4work](#) - Apr 03 2022

web practice upsc nda general ability mock tests online prep test defence nda general ability test mathematics general ability test practice mock test general ability test of nda in the prep guru application get link or practice tests for general ability test nda take test 911 questions 803722 attempt 72545 tested discussions

[upsc nda 1 2021 general ability test gat question paper](#) - Dec 11 2022

web upsc nda 1 2021 general ability test gat question paper home sample papers upsc nda 1 2021 general ability test gat question paper description download nda 01 2021 question paper for gat for efficient practice of the exam exclusive careers360 premium content get education career guidance live webinars learning