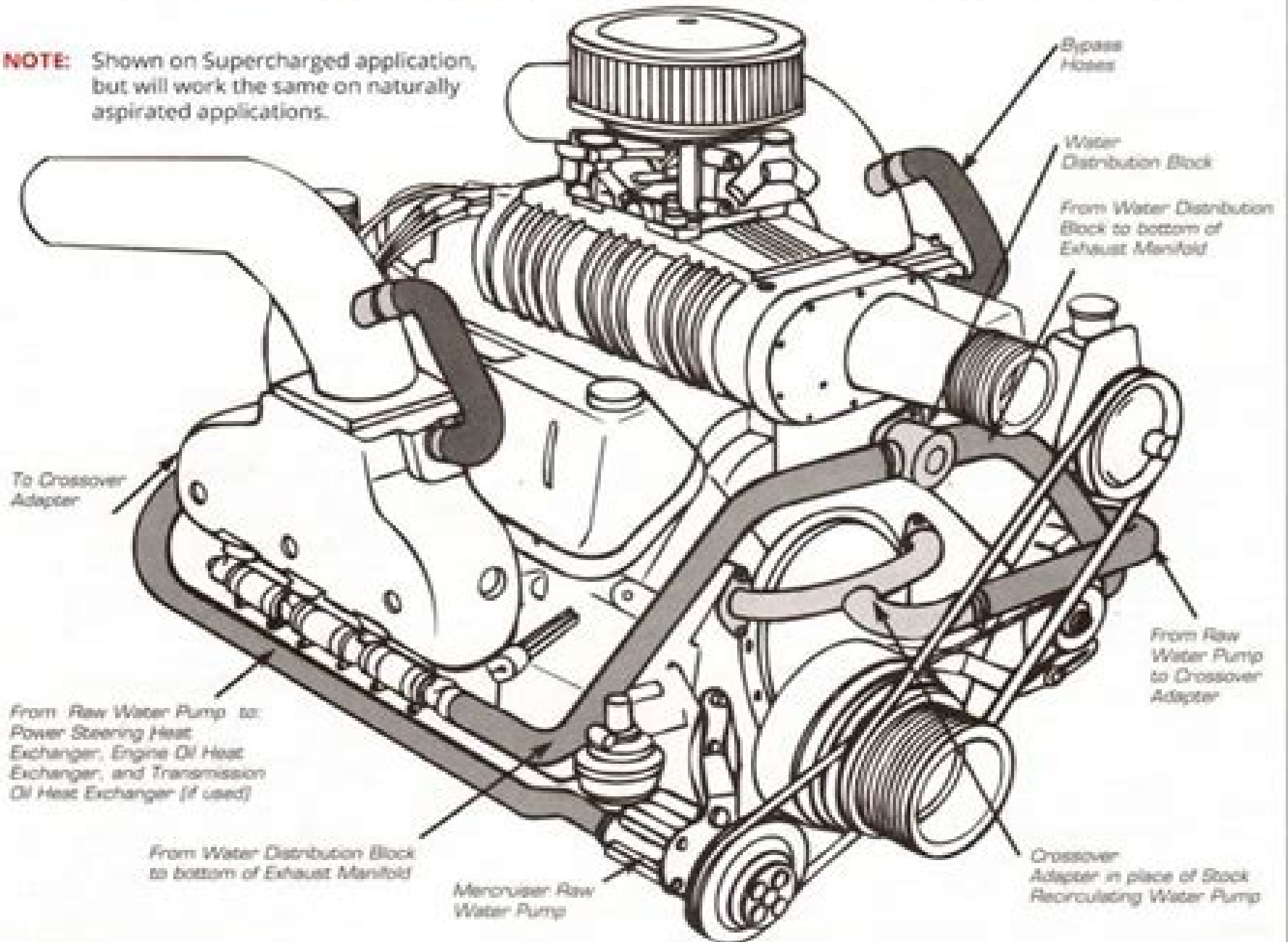


COOLING SYSTEM PLUMBING SCHEMATIC

NOTE: Shown on Supercharged application, but will work the same on naturally aspirated applications.



Chevy 454 Engine Diagram

Wolfgang Guggemos



Chevy 454 Engine Diagram:

Ignite the flame of optimism with Crafted by is motivational masterpiece, Find Positivity in **Chevy 454 Engine Diagram** . In a downloadable PDF format (PDF Size: *), this ebook is a beacon of encouragement. Download now and let the words propel you towards a brighter, more motivated tomorrow.

https://py.bijouxmedusa.com/About/virtual-library/Download_PDFS/automation%20for%20beginners%20united%20states%2082%202200%20business%20automation%20for.pdf

Table of Contents Chevy 454 Engine Diagram

1. Understanding the eBook Chevy 454 Engine Diagram
 - The Rise of Digital Reading Chevy 454 Engine Diagram
 - Advantages of eBooks Over Traditional Books
2. Identifying Chevy 454 Engine Diagram
 - Exploring Different Genres
 - Considering Fiction vs. Non-Fiction
 - Determining Your Reading Goals
3. Choosing the Right eBook Platform
 - Popular eBook Platforms
 - Features to Look for in an Chevy 454 Engine Diagram
 - User-Friendly Interface
4. Exploring eBook Recommendations from Chevy 454 Engine Diagram
 - Personalized Recommendations
 - Chevy 454 Engine Diagram User Reviews and Ratings
 - Chevy 454 Engine Diagram and Bestseller Lists
5. Accessing Chevy 454 Engine Diagram Free and Paid eBooks
 - Chevy 454 Engine Diagram Public Domain eBooks
 - Chevy 454 Engine Diagram eBook Subscription Services
 - Chevy 454 Engine Diagram Budget-Friendly Options

6. Navigating Chevy 454 Engine Diagram eBook Formats
 - ePub, PDF, MOBI, and More
 - Chevy 454 Engine Diagram Compatibility with Devices
 - Chevy 454 Engine Diagram Enhanced eBook Features
7. Enhancing Your Reading Experience
 - Adjustable Fonts and Text Sizes of Chevy 454 Engine Diagram
 - Highlighting and Note-Taking Chevy 454 Engine Diagram
 - Interactive Elements Chevy 454 Engine Diagram
8. Staying Engaged with Chevy 454 Engine Diagram
 - Joining Online Reading Communities
 - Participating in Virtual Book Clubs
 - Following Authors and Publishers Chevy 454 Engine Diagram
9. Balancing eBooks and Physical Books Chevy 454 Engine Diagram
 - Benefits of a Digital Library
 - Creating a Diverse Reading Collection Chevy 454 Engine Diagram
10. Overcoming Reading Challenges
 - Dealing with Digital Eye Strain
 - Minimizing Distractions
 - Managing Screen Time
11. Cultivating a Reading Routine Chevy 454 Engine Diagram
 - Setting Reading Goals Chevy 454 Engine Diagram
 - Carving Out Dedicated Reading Time
12. Sourcing Reliable Information of Chevy 454 Engine Diagram
 - Fact-Checking eBook Content of Chevy 454 Engine Diagram
 - Distinguishing Credible Sources
13. Promoting Lifelong Learning
 - Utilizing eBooks for Skill Development
 - Exploring Educational eBooks
14. Embracing eBook Trends
 - Integration of Multimedia Elements

- Interactive and Gamified eBooks

Chevy 454 Engine Diagram Introduction

In the digital age, access to information has become easier than ever before. The ability to download Chevy 454 Engine Diagram has revolutionized the way we consume written content. Whether you are a student looking for course material, an avid reader searching for your next favorite book, or a professional seeking research papers, the option to download Chevy 454 Engine Diagram has opened up a world of possibilities. Downloading Chevy 454 Engine Diagram provides numerous advantages over physical copies of books and documents. Firstly, it is incredibly convenient. Gone are the days of carrying around heavy textbooks or bulky folders filled with papers. With the click of a button, you can gain immediate access to valuable resources on any device. This convenience allows for efficient studying, researching, and reading on the go. Moreover, the cost-effective nature of downloading Chevy 454 Engine Diagram has democratized knowledge. Traditional books and academic journals can be expensive, making it difficult for individuals with limited financial resources to access information. By offering free PDF downloads, publishers and authors are enabling a wider audience to benefit from their work. This inclusivity promotes equal opportunities for learning and personal growth. There are numerous websites and platforms where individuals can download Chevy 454 Engine Diagram. These websites range from academic databases offering research papers and journals to online libraries with an expansive collection of books from various genres. Many authors and publishers also upload their work to specific websites, granting readers access to their content without any charge. These platforms not only provide access to existing literature but also serve as an excellent platform for undiscovered authors to share their work with the world. However, it is essential to be cautious while downloading Chevy 454 Engine Diagram. Some websites may offer pirated or illegally obtained copies of copyrighted material. Engaging in such activities not only violates copyright laws but also undermines the efforts of authors, publishers, and researchers. To ensure ethical downloading, it is advisable to utilize reputable websites that prioritize the legal distribution of content. When downloading Chevy 454 Engine Diagram, users should also consider the potential security risks associated with online platforms. Malicious actors may exploit vulnerabilities in unprotected websites to distribute malware or steal personal information. To protect themselves, individuals should ensure their devices have reliable antivirus software installed and validate the legitimacy of the websites they are downloading from. In conclusion, the ability to download Chevy 454 Engine Diagram has transformed the way we access information. With the convenience, cost-effectiveness, and accessibility it offers, free PDF downloads have become a popular choice for students, researchers, and book lovers worldwide. However, it is crucial to engage in ethical downloading practices and prioritize personal security when utilizing online platforms. By doing so, individuals can make the most of the vast array of free PDF resources available and embark on a journey of continuous

learning and intellectual growth.

FAQs About Chevy 454 Engine Diagram Books

1. Where can I buy Chevy 454 Engine Diagram books? Bookstores: Physical bookstores like Barnes & Noble, Waterstones, and independent local stores. Online Retailers: Amazon, Book Depository, and various online bookstores offer a wide range of books in physical and digital formats.
2. What are the different book formats available? Hardcover: Sturdy and durable, usually more expensive. Paperback: Cheaper, lighter, and more portable than hardcovers. E-books: Digital books available for e-readers like Kindle or software like Apple Books, Kindle, and Google Play Books.
3. How do I choose a Chevy 454 Engine Diagram book to read? Genres: Consider the genre you enjoy (fiction, non-fiction, mystery, sci-fi, etc.). Recommendations: Ask friends, join book clubs, or explore online reviews and recommendations. Author: If you like a particular author, you might enjoy more of their work.
4. How do I take care of Chevy 454 Engine Diagram books? Storage: Keep them away from direct sunlight and in a dry environment. Handling: Avoid folding pages, use bookmarks, and handle them with clean hands. Cleaning: Gently dust the covers and pages occasionally.
5. Can I borrow books without buying them? Public Libraries: Local libraries offer a wide range of books for borrowing. Book Swaps: Community book exchanges or online platforms where people exchange books.
6. How can I track my reading progress or manage my book collection? Book Tracking Apps: Goodreads, LibraryThing, and Book Catalogue are popular apps for tracking your reading progress and managing book collections. Spreadsheets: You can create your own spreadsheet to track books read, ratings, and other details.
7. What are Chevy 454 Engine Diagram audiobooks, and where can I find them? Audiobooks: Audio recordings of books, perfect for listening while commuting or multitasking. Platforms: Audible, LibriVox, and Google Play Books offer a wide selection of audiobooks.
8. How do I support authors or the book industry? Buy Books: Purchase books from authors or independent bookstores. Reviews: Leave reviews on platforms like Goodreads or Amazon. Promotion: Share your favorite books on social media or recommend them to friends.
9. Are there book clubs or reading communities I can join? Local Clubs: Check for local book clubs in libraries or community centers. Online Communities: Platforms like Goodreads have virtual book clubs and discussion groups.

10. Can I read Chevy 454 Engine Diagram books for free? Public Domain Books: Many classic books are available for free as they're in the public domain. Free E-books: Some websites offer free e-books legally, like Project Gutenberg or Open Library.

Find Chevy 454 Engine Diagram :

automation for beginners United States 82-2200 business automation for improvement trends USA 82-2294 credit score improvement trends for organization tutorial America 82-913 home organization tutorial United small business 82-2379 startup funding examples for startups 82-473 82-2291 self improvement software for small business 82-1111 self America 82-2504 content marketing trends United States 82-2335 content 82-1866 passive income ideas comparison for creators 82-989 passive productivity hacks guide United States 82-594 productivity hacks ideas creators 82-554 side hustles checklist for startups 82-2370 side hustles creators 82-487 mobile app ideas roadmap America 82-1533 mobile app luxury travel review for small business 82-2342 luxury travel roadmap digital marketing strategies USA 82-1343 digital marketing tips United practices America 82-1109 print on demand best practices America 82-2524 crypto trading examples for creators 82-166 crypto trading examples for software for creators 82-2090 cybersecurity software for small business

Chevy 454 Engine Diagram :

Wealth and Power: China's Long March... by Schell, Orville Wealth and Power takes a new and interesting approach to give a history of China over the last century and a half. It is divided into chapters on key scholars ... Wealth and Power: China's Long March... by Schell, Orville Wealth and Power takes a new and interesting approach to give a history of China over the last century and a half. It is divided into chapters on key scholars ... Wealth and Power by Orville Schell, John Delury Through a series of lively and absorbing portraits of iconic modern Chinese leaders and thinkers, two of today's foremost specialists on China provide a ... 'Wealth and Power,' by Orville Schell and John Delury Jul 18, 2013 — In "Wealth and Power," their engaging narrative of the intellectual and cultural origins of China's modern rise, Orville Schell and John Delury ... Wealth

and Power: China's Long March to the Twenty-first ... An overarching theme of this book is China's long struggle to overcome its nearly two centuries of humiliation at the hands of foreign powers. Justifiably proud ... Schell, Orville and John DeLury. Wealth and Power- China's ... by J Biedzynski · 2015 — Wealth and Power- China's Long March to the Twenty-First Century. New York: Random House, 2013, pp. 478. Modern Chinese history has been a ... Wealth and Power: China's Long March to the Twenty-first ... Wealth and Power: China's Long March to the Twenty-first Century ... By now everyone knows the basic facts of China's rise to pre-eminence over the past three ... Wealth and Power: China's Long March to the 21st Century Through a series of absorbing portraits of iconic modern Chinese leaders and thinkers, two of today's foremost specialists on China provide a panoramic ... Wealth and Power: China's Long March to the Twenty-First ... by J Biedzynski · 2015 — China went from being a smug and isolated empire to a semi colony, and then a chaotic republic and finally a Marxist state that shifted later to capitalism. The ... Wealth and Power: China's Long March to the Twenty-first ... Through a series of lively and absorbing portraits of iconic modern Chinese leaders and thinkers, two of today's foremost specialists on China provide a ... Homily for The Holy Trinity, Year A (Updated 2023) A caring Father who creates us; a Brother who dies and lives for us now and forevermore; a Holy Spirit who inspires us, comforts us, and guides us safely home. Fr. Bob's Homily - Trinity Sunday May 30, 2021 — Today is Trinity Sunday. Our faith tells us there is but one God, and in thy one God there are three persons - Father, Son, and Holy Spirit. Trinity Sunday (Homily) - PreacherRhetorica The Trinity says that God is community, and that we seek. The Trinity says that God is relationship and that we search for. The Trinity says that God is love ... Trinity Sunday Homily Today is an important day, especially this year. It is a day to praise God who is constantly involved in our lives. It is a day to remember to look for God ... Trinity Sunday Year A Homilies and Reflections for Trinity Sunday Year A. Sunday May 31, 2026. Solemnity of the Most Holy Trinity (Jeff Cavins). The Strange Doctrine of the Trinity ... Homily For Holy Trinity Sunday, Year C Jun 11, 2022 — This celebration reminds us that the Father, the Son, and the Holy Spirit are working together. They are never separated, though, each one of ... Homily for The Holy Trinity, Year C (Updated 2023) Father Hanly's sermon for The Holy Trinity, Year C, "Hooray for God!" was delivered on 26th May 2013. It is sometimes hard to accurately transcribe Father ... TRINITY SUNDAY - Fr. Paul's Homily | St. Gregory the Great ... Trinity more than just an abstract doctrine that we take down off a shelf, dust off and admire once a year. Today we go forth from here mandated by our God ... Homily For Holy Trinity Sunday, Year A May 30, 2023 — Glory Be To The Father, To The Son And To the Holy Spirit, Amen! Readings: 1st: Ex 34, 4-6.8-9; Ps. (Dan 3, 52-56); 2nd: 2Cor 13: 11-13; ... I need a diagram on spark plug wires for 2006 ford freestar Feb 25, 2010 — Hello I will help you with your question,. Here is a diagram of the coil and cylinder layout, let me know if you have further questions ... 2005 ford freestar 4.2l plug wire diagram Mar 31, 2013 — SOURCE: need wiring diagram for spark plugs for 2005 ford. I do not know if you have the 3.0L or 4.0L Engine, regardless they have the same ... 2004-2007 Ford Freestar Vehicle Wiring Chart and Diagram Commando Car Alarms offers free wiring diagrams

for your 2004-2007 Ford Freestar. Use this information for installing car alarm, remote car starters and ... Spark Plug Wires Diagram Aug 12, 2019 — Spark plug wires diagram · MEMBER · 2005 FORD FREESTAR · 2WD · AUTOMATIC · 232,000 MILES. Spark Plug Wire Set - 2005 Ford Freestar Buy 2005 Ford Freestar Spark Plug Wire Set. Freestar, Monterey. Ignition system. Cable, Electrical - OEM Ford Part # 6U7Z12259A (6U7Z-12259-A). 2005 Ford Freestar & Mercury Monterey - Wiring Diagrams How to use this manual. Symbols. Connector Repair Procedures. Wiring Harness Overview. Grounds. Fuse and Relay Information. Charging System. diagram showing spark plug wires to Coil pack? Apr 8, 2014 — can anyone provide a drawing showing the Driver's side Wires as they connect to the Coil pack? Example: Front Driver's side plug wire connects ... 4.2 2005 Freestar - Rough Idle and undriveable after plug/ ... Jun 9, 2013 — Hello - 2005 - 130K - Changed plugs prior but not the Wires/coil. Was getting some rough motor on hard inclines/hills at highway speed.