

Chapter 14, Problem 6(6).

Obtain the transfer function $H(\omega) = \mathbf{I}_o/\mathbf{I}_s$ of the circuits shown in Fig. 14.70.

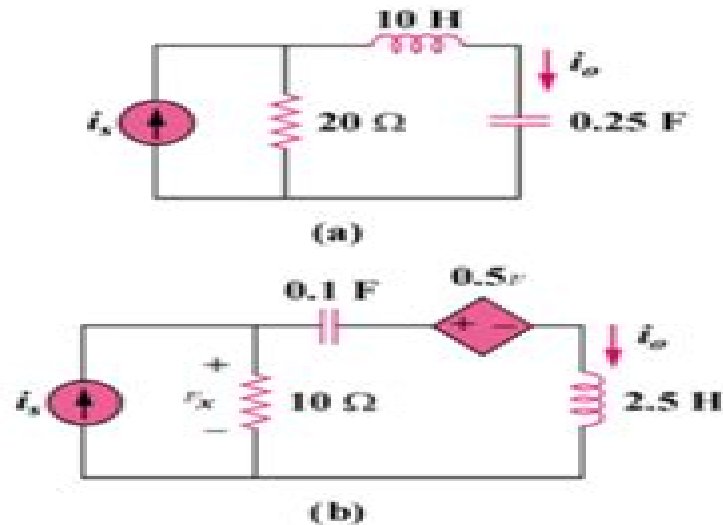


Figure 14.70

Chapter 14, Solution 6(6).

Using current division,

$$\mathbf{H}(\omega) = \frac{\mathbf{I}_o}{\mathbf{I}_s} = \frac{\mathbf{R}}{\mathbf{R} + j\omega\mathbf{L} + 1/j\omega\mathbf{C}}$$

$$\mathbf{H}(\omega) = \frac{j\omega\mathbf{R}\mathbf{C}}{1 + j\omega\mathbf{R}\mathbf{C} - \omega^2\mathbf{L}\mathbf{C}} = \frac{j\omega(20)(0.25)}{1 + j\omega(20)(0.25) - \omega^2(10)(0.25)}$$

$$\mathbf{H}(\omega) = \frac{j\omega\mathbf{5}}{1 + j\omega\mathbf{5} - 2.5\omega^2}$$

Fundamentals Of Electric Circuits Solutions Chapter 9

K. Shashidhar



Fundamentals Of Electric Circuits Solutions Chapter 9:

Fundamentals of Electric Circuits Charles K. Alexander, Matthew N. O. Sadiku, 2004 **Electric Circuits**

Fundamentals Thomas L. Floyd, 2001 CD ROM contains CircuitMaker 6 2 Electronics Workbench files **Student's**

Solutions Manual to Accompany Fundamentals of Differential Equations, Fifth Edition and Fundamentals of

Differential Equations and Boundary Value Problems, Third Edition V. Maymeskul, 2000 **Physics for**

Nonphysicists Frank R. Spellman, 2009-06-16 Environmental professionals who look beyond their specialties and acquire

knowledge in a variety of sciences not only make solving on the job problems easier for themselves but they also increase

their employment opportunities This fifth book in the non specialist series provides both professionals and students with a

clear concise overview of the most important aspects of physics in a way that anyone even those who have never taken a

formal physics course can relate to Starting with the basic principles of measurement conversion factors and math operations

the author explores the topics of motion and force work and energy gravity atoms heat sound light and color and basic

electricity Each chapter examines the jargon concepts key concerns and applications of physics in action and ends with a

chapter review test **Catalog of Copyright Entries, Fourth Series** Library of Congress. Copyright Office, 1978-10

CONCEPTS OF ELECTRICAL AND ELECTRONICS ENGINEERING K. Shashidhar, 2013-05-17 **CONCEPTS OF**

ELECTRICAL AND ELECTRONICS ENGINEERING is intended to be used as a text book for I Semester Diploma in Computer

Science and Engineering This book is designed for comprehensively covering all topics relevant to the subject Each and

every topic has been explained in a very simple language as per the syllabus prescribed by the Board of Technical Education

Karnataka This book is divided into ten chapters Chapter 1 Electric Current and DC Circuits Chapter 2 Electrostatics

Chapter 3 Electromagnetic Induction Chapter 4 AC Fundamentals Chapter 5 Transformers Chapter 6 Protection of Electric

and Electronic Circuits Chapter 7 Motors Chapter 8 Electronic Components Chapter 9 Basics of Electronics Chapter 10 Op

amp The text provides detailed explanations and uses numerous easy to follow examples accompanied by diagrams and step

by step solutions Illustrative problems are presented in terms of commonly used voltages and current ratings To enhance the

utility of the book important points and review questions objective and descriptive type have been included at the end of each

chapter Model question papers have been provided to help students prepare better for the semester examinations It is hoped

that the book will be of immense use to teachers and students of Polytechnics Suggestions for improvement in the future

editions of this book will be appreciated I wish to express my gratitude to MEI Polytechnic Bangalore for providing me an

opportunity to bring out this text book I am grateful to Sri Nitin S Shah M s Sapna Book House Bangalore for publishing this

book I am thankful to M s Datalink Bangalore for meticulous processing of the manuscript of this book Fundamentals of

Microfabrication and Nanotechnology, Three-Volume Set Marc J. Madou, 2018-12-14 Now in its third edition Fundamentals of

Microfabrication and Nanotechnology continues to provide the most complete MEMS coverage available Thoroughly revised

and updated the new edition of this perennial bestseller has been expanded to three volumes reflecting the substantial growth of this field. It includes a wealth of theoretical and practical information on nanotechnology and NEMS and offers background and comprehensive information on materials processes and manufacturing options. The first volume offers a rigorous theoretical treatment of micro and nanosciences and includes sections on solid state physics, quantum mechanics, crystallography and fluidics. The second volume presents a very large set of manufacturing techniques for micro and nanofabrication and covers different forms of lithography, material removal processes and additive technologies. The third volume focuses on manufacturing techniques and applications of Bio MEMS and Bio NEMS. Illustrated in color throughout, this seminal work is a cogent instructional text providing classroom and self learners with worked out examples and end of chapter problems. The author characterizes and defines major research areas and illustrates them with examples pulled from the most recent literature and from his own work.

Electronics Fundamentals Thomas L. Floyd, 2001. Margin icons indicate text circuits that are rendered in Electronics Workbench™ and CircuitMaker R on the CD ROM packaged with each text. New EWB CircuitMaker Troubleshooting Problems. New Safety Notes indicate key information that students can transfer to their laboratory experience. Online study guide with 50 questions per chapter is available at <http://www.prenhall.com/floyd>. New Hands On Tip and Biography features. Expanded coverage of troubleshooting, electrical safety, engineering notation and calculator usage. Reorganization of chapters improves the flexibility of the text. Capacitors Chapter 9 and RC circuits Chapter 10 are covered in sequence followed by inductors Chapter 11, RL circuits Chapter 12 and RLC circuits and resonance Chapter 13. Transformers Chapter 14 now follows RLC circuits and resonance. A new easier to read text, design and use of color help students locate key information for review. Chapter Objectives, an Introduction, Key Terms and Application Assignments precede each chapter to offer students an overview of the applications they will be able to complete by chapter's end. Section Reviews follow each chapter section to reinforce concepts and check for understanding. Numerous in chapter examples illustrate a variety of areas where concepts can be applied. End of chapter problems are separated by chapters section and level of difficulty allowing students to progress with their problem solving skills in a step by step manner.

Solutions Manual to Fundamentals of Electric Circuits Charles K. Alexander, Matthew N. O. Sadiku, 2000

Building Electrical Systems and Distribution Networks Radian Belu, 2020-02-13. This book covers all important new and conventional aspects of building electrical systems: power distribution, lighting, transformers and rotating electric machines, wiring and building installations. Solved examples, end of chapter questions and problems, case studies and design considerations are included in each chapter, highlighting the concepts and diverse and critical features of building and industrial electrical systems such as electric or thermal load calculations, wiring and wiring devices, conduits and raceways, lighting analysis, calculation, selection and design, lighting equipment and luminaires, power quality, building monitoring, noise control, building energy envelope, air conditioning and ventilation and safety. Two chapters are dedicated to distributed energy generation, building integrated

renewable energy systems microgrids DC nanogrids power electronics energy management and energy audit methods topics which are not often included in building energy textbooks Support materials are included for interested instructors Readers are encouraged to write their own solutions while solving the problems and then refer to the solved examples for more complete understanding of the solutions concepts and theory

Principles of Electrical Engineering Peyton Z. Peebles, Tayeb A. Giuma, 1991

Linear Circuit Analysis Chi Kong Tse, 1998 Linear Circuit Analysis provides concise and practical treatment of the basics of circuits suitable for undergraduates Whilst mathematical rigour is not sacrificed the book is written in an easily readable style and also covers many topics from a practical non mathematical perspective For those lecturers that wish to explore other teaching methods the later chapters offer an introduction to the topological method of analysis The text is ideal for a first course in circuits as the text starts by recapping basics such as Ohm's law before covering the nodal mesh approach to circuit analysis As such it equips students with effective analytical skills which will form a solid basis for the rest of their electronic engineering course

Advanced Engineering Mathematics Erwin Kreyszig, 2011-08-24 This market leading text is known for its comprehensive coverage careful and correct mathematics outstanding exercises and self contained subject matter parts for maximum flexibility The new edition continues with the tradition of providing instructors and students with a comprehensive and up to date resource for teaching and learning engineering mathematics that is applied mathematics for engineers and physicists mathematicians and computer scientists as well as members of other disciplines

Fundamentals of Differential Equations R. Kent Nagle, Edward B. Saff, 1989 This text is in a flexible one semester text that spans a variety of topics in the basic theory as well as applications of differential equations

Fundamentals of Electric Circuits David Andrew Bell, 1978

Proceedings of the American Institute of Electrical Engineers, 1921 Vols for 1887-1946 include the preprint pages of the institute's Transactions

Journal of the American Institute of Electrical Engineers, 1921 Includes preprints of Transactions of the American Institute of Electrical Engineers ISSN 0096-3860

Transactions of the American Institute of Electrical Engineers, 1927

Applied Electromagnetics and Electromagnetic Compatibility Dipak L. Sengupta, Valdis V. Liepa, 2005-11-11 Applied Electromagnetics and Electromagnetic Compatibility deals with Radio Frequency Interference (RFI) which is the reception of undesired radio signals originating from digital electronics and electronic equipment With today's rapid development of radio communication these undesired signals as well as signals due to natural phenomena such as lightning sparking and others are becoming increasingly important in the general area of Electro Magnetic Compatibility (EMC) EMC can be defined as the capability of some electronic equipment or system to be operated at desired levels of performance in a given electromagnetic environment without generating EM emissions unacceptable to other systems operating in the vicinity

A Guide to the Literature of Electrical and Electronics Engineering Susan Ardis, 1987

This is likewise one of the factors by obtaining the soft documents of this **Fundamentals Of Electric Circuits Solutions Chapter 9** by online. You might not require more period to spend to go to the book start as capably as search for them. In some cases, you likewise get not discover the broadcast Fundamentals Of Electric Circuits Solutions Chapter 9 that you are looking for. It will extremely squander the time.

However below, past you visit this web page, it will be in view of that entirely easy to get as skillfully as download guide Fundamentals Of Electric Circuits Solutions Chapter 9

It will not take on many era as we accustom before. You can complete it even if bill something else at home and even in your workplace. consequently easy! So, are you question? Just exercise just what we manage to pay for below as skillfully as evaluation **Fundamentals Of Electric Circuits Solutions Chapter 9** what you later to read!

https://py.bijouxmedusa.com/files/Resources/index.jsp/52_1218_vpn_services_trends_usa_52_318_vpn_services_trends_united_states.pdf

Table of Contents Fundamentals Of Electric Circuits Solutions Chapter 9

1. Understanding the eBook Fundamentals Of Electric Circuits Solutions Chapter 9
 - The Rise of Digital Reading Fundamentals Of Electric Circuits Solutions Chapter 9
 - Advantages of eBooks Over Traditional Books
2. Identifying Fundamentals Of Electric Circuits Solutions Chapter 9
 - Exploring Different Genres
 - Considering Fiction vs. Non-Fiction
 - Determining Your Reading Goals
3. Choosing the Right eBook Platform
 - Popular eBook Platforms
 - Features to Look for in an Fundamentals Of Electric Circuits Solutions Chapter 9
 - User-Friendly Interface

4. Exploring eBook Recommendations from Fundamentals Of Electric Circuits Solutions Chapter 9
 - Personalized Recommendations
 - Fundamentals Of Electric Circuits Solutions Chapter 9 User Reviews and Ratings
 - Fundamentals Of Electric Circuits Solutions Chapter 9 and Bestseller Lists
5. Accessing Fundamentals Of Electric Circuits Solutions Chapter 9 Free and Paid eBooks
 - Fundamentals Of Electric Circuits Solutions Chapter 9 Public Domain eBooks
 - Fundamentals Of Electric Circuits Solutions Chapter 9 eBook Subscription Services
 - Fundamentals Of Electric Circuits Solutions Chapter 9 Budget-Friendly Options
6. Navigating Fundamentals Of Electric Circuits Solutions Chapter 9 eBook Formats
 - ePub, PDF, MOBI, and More
 - Fundamentals Of Electric Circuits Solutions Chapter 9 Compatibility with Devices
 - Fundamentals Of Electric Circuits Solutions Chapter 9 Enhanced eBook Features
7. Enhancing Your Reading Experience
 - Adjustable Fonts and Text Sizes of Fundamentals Of Electric Circuits Solutions Chapter 9
 - Highlighting and Note-Taking Fundamentals Of Electric Circuits Solutions Chapter 9
 - Interactive Elements Fundamentals Of Electric Circuits Solutions Chapter 9
8. Staying Engaged with Fundamentals Of Electric Circuits Solutions Chapter 9
 - Joining Online Reading Communities
 - Participating in Virtual Book Clubs
 - Following Authors and Publishers Fundamentals Of Electric Circuits Solutions Chapter 9
9. Balancing eBooks and Physical Books Fundamentals Of Electric Circuits Solutions Chapter 9
 - Benefits of a Digital Library
 - Creating a Diverse Reading Collection Fundamentals Of Electric Circuits Solutions Chapter 9
10. Overcoming Reading Challenges
 - Dealing with Digital Eye Strain
 - Minimizing Distractions
 - Managing Screen Time
11. Cultivating a Reading Routine Fundamentals Of Electric Circuits Solutions Chapter 9
 - Setting Reading Goals Fundamentals Of Electric Circuits Solutions Chapter 9
 - Carving Out Dedicated Reading Time

12. Sourcing Reliable Information of Fundamentals Of Electric Circuits Solutions Chapter 9
 - Fact-Checking eBook Content of Fundamentals Of Electric Circuits Solutions Chapter 9
 - Distinguishing Credible Sources
13. Promoting Lifelong Learning
 - Utilizing eBooks for Skill Development
 - Exploring Educational eBooks
14. Embracing eBook Trends
 - Integration of Multimedia Elements
 - Interactive and Gamified eBooks

Fundamentals Of Electric Circuits Solutions Chapter 9 Introduction

In this digital age, the convenience of accessing information at our fingertips has become a necessity. Whether its research papers, eBooks, or user manuals, PDF files have become the preferred format for sharing and reading documents. However, the cost associated with purchasing PDF files can sometimes be a barrier for many individuals and organizations. Thankfully, there are numerous websites and platforms that allow users to download free PDF files legally. In this article, we will explore some of the best platforms to download free PDFs. One of the most popular platforms to download free PDF files is Project Gutenberg. This online library offers over 60,000 free eBooks that are in the public domain. From classic literature to historical documents, Project Gutenberg provides a wide range of PDF files that can be downloaded and enjoyed on various devices. The website is user-friendly and allows users to search for specific titles or browse through different categories. Another reliable platform for downloading Fundamentals Of Electric Circuits Solutions Chapter 9 free PDF files is Open Library. With its vast collection of over 1 million eBooks, Open Library has something for every reader. The website offers a seamless experience by providing options to borrow or download PDF files. Users simply need to create a free account to access this treasure trove of knowledge. Open Library also allows users to contribute by uploading and sharing their own PDF files, making it a collaborative platform for book enthusiasts. For those interested in academic resources, there are websites dedicated to providing free PDFs of research papers and scientific articles. One such website is Academia.edu, which allows researchers and scholars to share their work with a global audience. Users can download PDF files of research papers, theses, and dissertations covering a wide range of subjects. Academia.edu also provides a platform for discussions and networking within the academic community. When it comes to downloading Fundamentals Of Electric Circuits Solutions Chapter 9 free PDF files of magazines, brochures, and catalogs, Issuu is a popular choice. This digital publishing platform hosts a vast collection of publications from around the world. Users can search for specific titles or explore various

categories and genres. Issuu offers a seamless reading experience with its user-friendly interface and allows users to download PDF files for offline reading. Apart from dedicated platforms, search engines also play a crucial role in finding free PDF files. Google, for instance, has an advanced search feature that allows users to filter results by file type. By specifying the file type as "PDF," users can find websites that offer free PDF downloads on a specific topic. While downloading Fundamentals Of Electric Circuits Solutions Chapter 9 free PDF files is convenient, it's important to note that copyright laws must be respected. Always ensure that the PDF files you download are legally available for free. Many authors and publishers voluntarily provide free PDF versions of their work, but it's essential to be cautious and verify the authenticity of the source before downloading Fundamentals Of Electric Circuits Solutions Chapter 9. In conclusion, the internet offers numerous platforms and websites that allow users to download free PDF files legally. Whether it's classic literature, research papers, or magazines, there is something for everyone. The platforms mentioned in this article, such as Project Gutenberg, Open Library, Academia.edu, and Issuu, provide access to a vast collection of PDF files. However, users should always be cautious and verify the legality of the source before downloading Fundamentals Of Electric Circuits Solutions Chapter 9 any PDF files. With these platforms, the world of PDF downloads is just a click away.

FAQs About Fundamentals Of Electric Circuits Solutions Chapter 9 Books

How do I know which eBook platform is the best for me? Finding the best eBook platform depends on your reading preferences and device compatibility. Research different platforms, read user reviews, and explore their features before making a choice. Are free eBooks of good quality? Yes, many reputable platforms offer high-quality free eBooks, including classics and public domain works. However, make sure to verify the source to ensure the eBook's credibility. Can I read eBooks without an eReader? Absolutely! Most eBook platforms offer web-based readers or mobile apps that allow you to read eBooks on your computer, tablet, or smartphone. How do I avoid digital eye strain while reading eBooks? To prevent digital eye strain, take regular breaks, adjust the font size and background color, and ensure proper lighting while reading eBooks. What's the advantage of interactive eBooks? Interactive eBooks incorporate multimedia elements, quizzes, and activities, enhancing the reader's engagement and providing a more immersive learning experience. Fundamentals Of Electric Circuits Solutions Chapter 9 is one of the best books in our library for free trial. We provide a copy of Fundamentals Of Electric Circuits Solutions Chapter 9 in digital format, so the resources that you find are reliable. There are also many eBooks related to Fundamentals Of Electric Circuits Solutions Chapter 9. Where to download Fundamentals Of Electric Circuits Solutions Chapter 9 online for free? Are you looking for Fundamentals Of Electric Circuits Solutions Chapter 9 PDF? This is definitely going to save you time and cash in something you should think about. If you're trying to find then search around for online.

Without a doubt there are numerous these available and many of them have the freedom. However without doubt you receive whatever you purchase. An alternate way to get ideas is always to check another Fundamentals Of Electric Circuits Solutions Chapter 9. This method for see exactly what may be included and adopt these ideas to your book. This site will almost certainly help you save time and effort, money and stress. If you are looking for free books then you really should consider finding to assist you try this. Several of Fundamentals Of Electric Circuits Solutions Chapter 9 are for sale to free while some are payable. If you arent sure if the books you would like to download works with for usage along with your computer, it is possible to download free trials. The free guides make it easy for someone to free access online library for download books to your device. You can get free download on free trial for lots of books categories. Our library is the biggest of these that have literally hundreds of thousands of different products categories represented. You will also see that there are specific sites catered to different product types or categories, brands or niches related with Fundamentals Of Electric Circuits Solutions Chapter 9. So depending on what exactly you are searching, you will be able to choose e books to suit your own need. Need to access completely for Campbell Biology Seventh Edition book? Access Ebook without any digging. And by having access to our ebook online or by storing it on your computer, you have convenient answers with Fundamentals Of Electric Circuits Solutions Chapter 9 To get started finding Fundamentals Of Electric Circuits Solutions Chapter 9, you are right to find our website which has a comprehensive collection of books online. Our library is the biggest of these that have literally hundreds of thousands of different products represented. You will also see that there are specific sites catered to different categories or niches related with Fundamentals Of Electric Circuits Solutions Chapter 9 So depending on what exactly you are searching, you will be able to choose ebook to suit your own need. Thank you for reading Fundamentals Of Electric Circuits Solutions Chapter 9. Maybe you have knowledge that, people have search numerous times for their favorite readings like this Fundamentals Of Electric Circuits Solutions Chapter 9, but end up in harmful downloads. Rather than reading a good book with a cup of coffee in the afternoon, instead they juggled with some harmful bugs inside their laptop. Fundamentals Of Electric Circuits Solutions Chapter 9 is available in our book collection an online access to it is set as public so you can download it instantly. Our digital library spans in multiple locations, allowing you to get the most less latency time to download any of our books like this one. Merely said, Fundamentals Of Electric Circuits Solutions Chapter 9 is universally compatible with any devices to read.

Find Fundamentals Of Electric Circuits Solutions Chapter 9 :

52-1218 VPN services trends USA 52-318 VPN services trends United States

[parenting tips step by step for creators 52-2099 parenting tips step by beginners for creators 52-2956 affiliate marketing guide America 52-919](#)

beginners America 52-1435 blockchain development for beginners America
improvement for beginners for entrepreneurs 52-2093 self improvement for
52-864 electric vehicles review for small business 52-112 electric
funding trends for entrepreneurs 52-2266 startup funding trends for
resume writing checklist for entrepreneurs 52-2239 resume writing
small business 52-1335 minimalist lifestyle review United States 52-1306
score improvement roadmap for entrepreneurs 52-1317 credit score
52-2010 chatbot development tips for small business 52-2069 chatbot
step for startups 52-1047 personal finance strategies for creators
weight loss ideas for startups 52-267 weight loss review USA 52-144
fitness routines software for small business 52-1254 fitness routines
business review for entrepreneurs 52-61 online business review for

Fundamentals Of Electric Circuits Solutions Chapter 9 :

confessions of an english opium eater and other writings - Aug 15 2023

web mar 1 2013 *confessions of an english opium eater and other writings* new edition thomas de quincey edited by robert morrison oxford world s classics a new edition by de quincey scholar and biographer robert morrison of de quincey s finest autobiographical essays which describe his early life and opium addiction

confessions of an english opium eater and other writings - Mar 10 2023

web *confessions of an english opium eater and other writings* thomas de quincey and robert morrison abstract i took it and in an hour oh heavens what a revulsion what an upheaving from its lowest depths of the inner spirit

confessions of an english opium eater archive org - Apr 30 2022

web *confessions of an english opium eater* by de quincey thomas 1785 1859 publication date 1823 topics de quincey thomas 1785 1859 drug addicts authors english opium abuse publisher london taylor and hessey collection library of congress

americana contributor the library of congress language english iv 206 p 17 cm notes

confessions of an english opium eater and other writings - Apr 11 2023

web feb 14 2013 *description confessions of an english opium eater suspiria de profundis and the english mail coach* are de quincey s finest essays in autobiography published here with three appendices containing a wealth of related manuscript material and a comprehensive introduction and notes

confessions of an english opium eater and other writings - Feb 09 2023

web mar 1 2013 confessions of an english opium eater and other writings oxford world s classics paperback march 1 2013 by thomas de quincey author robert morrison author 4 4 out of 5 stars 150 ratings

confessions of an english opium eater and other writings n e - Oct 05 2022

web buy confessions of an english opium eater and other writings n e oxford world s classics new by de quincey thomas morrison robert isbn 9780199600618 from amazon s book store everyday low prices and free delivery on eligible orders

[confessions of an english opium eater and other writings](#) - Jun 13 2023

web about confessions of an english opium eater and other writings the first literary addiction memoir featuring the autobiographical suspiria de profundis the inspiration for the 2018 horror film suspiria starring dakota johnson and tilda swinton and directed by

confessions of an english opium eater google books - Dec 27 2021

web jun 28 2012 confessions of an english opium eater although he was an acute literary critic a voluminous contributor to blackwood s and other journals and a perceptive writer on history biography and economics thomas de quincey 1785 1859 is best known for his confessions of an english opium eater

confessions of an english opium eater wikisource - Jul 02 2022

web aug 7 2021 confessions of an english opium eater confessions of an english opium eater 1823 by thomas de quincey sister projects wikipedia article wikidata item first published in two parts in london magazine vol iv september 1821 no xxi pp 293 312 and october 1821 no xxii pp 353 79

confessions of an english opium eater the bmj - Mar 30 2022

web sep 30 2009 confessions of an english opium eater an examination of the effects of opium on the mind was written in 1821 by thomas de quincey friend and contemporary of coleridge another famous opium user it was far ahead of its time as although opium was easily available and was a mainstay of every household medicine cupboard there was

[confessions of an english opium eater and other writings](#) - Jan 08 2023

web confessions of an english opium eater and other writings by de quincey thomas 1785 1859 lindop grevel 1948

confessions of an english opium eater project gutenberg - Dec 07 2022

web nov 12 2022 if a man whose talk is of oxen should become an opium eater the probability is that if he is not too dull to dream at all he will dream about oxen whereas in the case before him the reader will find that the opium eater boasteth himself to be a philosopher and accordingly that the phantasmagoria of his dreams waking or sleeping

[confessions of an english opium eater wikipedia](#) - Jul 14 2023

web confessions of an english opium eater 1821 is an autobiographical account written by thomas de quincey about his laudanum addiction and its effect on his life the confessions was the first major work de quincey published and the one that

won him fame almost overnight 1

confessions of an english opium eater by thomas de quincey - Jun 01 2022

web aug 1 2021 confessions of an english opium eater by thomas de quincey thomas de quincey spent much of his life

addicted to the powerful drug opium this book first published anonymously in the london magazine is

confessions of an english opium eater britannica - Nov 06 2022

web confessions of an english opium eater autobiographical narrative by english author thomas de quincey first published in the london magazine in two parts in 1821 then as a book with an appendix in 1822

confessions of an english opium eater the british library - Feb 26 2022

web thomas de quincey s confessions of an english opium eater was first published in 1821 in the london magazine it

professes to tear away the decent drapery of convention and present the reader with the record of a remarkable period in the author s life beginning when he ran away from school at the age of 17 and spent several

confessions of an english opium eater and other writings - May 12 2023

web apr 29 2003 forging a link between artistic self expression and addiction confessions of an english opium eater and

other writings seamlessly weaves the effects of drugs and the nature of dreams

confessions of an english opium eater and other writings - Sep 04 2022

web feb 14 2013 confessions of an english opium eater launched a fascination with drug use that has continued to our day here de quincey invents recreational drug taking but he also details both the

confessions of an english opium eater goodreads - Aug 03 2022

web thomas de quincey barry milligan editor 3 28 9 649 ratings832 reviews confessions is a remarkable account of the

pleasures and pains of worshipping at the church of opium thomas de quincey consumed daily large quantities of laudanum at the time a legal painkiller and this autobiography of addiction hauntingly describes his surreal

[confessions of an english opium eater by thomas de quincey](#) - Jan 28 2022

web jan 1 2000 confessions of an english opium eater credits david price updated 2022 11 12 language english loc class pr

language and literatures english literature subject opium abuse england subject authors english 19th century biography

subject de quincey thomas 1785 1859 subject drug addicts great

law and business administration in canada 13th ed pdf book - Aug 30 2023

web law ashford universitythe law and business administration in canada loose leaf version 15th edition loose leaf feb 15

2019 by j e smyth author dan soberman author alex easson

the law and business administration in canada 14th edition - Oct 20 2022

web apr 27 2011 an edition of study guide the law and business administration in canada 6th ed j e smyth d a soberman a j

easson 1991

business law in canada 13th edition vitalsource - Jan 11 2022

web the law and business administration in canada plus mylab business law with pearson etext access card package the three pillar model for business decisions strategy law and ethics law and the market law and finance

the law and business administration in canada 14th edition - Mar 13 2022

web jan 1 2018 canadian business law 3rd edition tamra alexander pat papadeas 9781772552812 books amazon ca isbn 13 978 1772552812 see all details next page customers who viewed this item also viewed page 1 of 1 start over page 1 of 1 previous page canadian business law the business law group

business law in canada canadian edition pearson - Aug 18 2022

web the law and business administration in canada a01 smyt1678 14 se fm indd i 3 4 15 3 22 pm toronto this edition is authorized for sale only in canada commercial law canada textbooks 2 commercial law canada cases i easson a j author ii

business law in canada tenth canadian edition plus - Jan 23 2023

web feb 15 2019 the law and business administration in canada responds to the needs of today s business students by streamlining the traditional study of contractual principles emphasizing current legal topics involving government regulation of business corporate governance e commerce privacy and globalization and adding continuity to the

eneh ft ort edtion i law and business administration - Jul 17 2022

web feb 28 2012 the law and business administration in canada 13th edition hardcover feb 28 2012 by j e smyth author d a soberman author 2 more 4 4 19 ratings see all formats and editions hardcover 69 99 8 used from 20 00 1 new from 77 00 1 collectible from 49 99

the law and business administration in canada - May 27 2023

web sep 18 2020 buy now instant access isbn 13 9780136963547 the law and business administration in canada published 2020 need help get in touch

the law and business administration in canada 13th edition - Feb 21 2023

web apr 16 2013 business law in canada tenth canadian edition plus mybuslawlab with pearson etext access card package 10th edition yates richard a bereznicki korol teresa clarke trevor 0133249093 isbn 13 9780133249095 business law in *canadian business law 3rd edition amazon ca* - Feb 09 2022

web business law in canada 13th edition is written by richard yates and published by pearson canada the digital and etextbook isbns for business law in canada are 9780137641772 013764177x and the print isbns are 9780137641772 013764177x save up to 80 versus print by going digital with vitalsource

law and business administration in canada 13th ed torrent pdf - Jun 27 2023

web 2 law and business administration in canada 13th ed torrent pdf book 2021 06 05 can you do with a degree in business administration well there s this calculating hourly rates for a contractor or small business how to get a contractors license legally hacking the csfb

the law and business administration in canada 14th edition - Apr 13 2022

web mar 31 2015 the law and business administration in canada 14th edition pdf responds to the requirements of today s business students by streamlining the conventional study of contractual principles focusing current legal topics involving government regulation of business e commerce privacy corporate governance and globalization and adding

download the law and business administration in canada pdf - Jul 29 2023

web download pdf the law and business administration in canada pdf 2t57ordn6ing this is the complete book it does not have search functionality feel free to upload an ocr version

the law and business administration in canada open library - Mar 25 2023

web the law and business administration in canada 13th edition by smyth j e soberman d a easson a j mcgill s a isbn 10 0132604795 isbn 13 9780132604796 pearson canada 2012 hardcover

law and business administration in canada the 15th edition - Nov 20 2022

web mar 31 2015 the law and business administration in canada 14th edition smyth j e soberman dan easson alex mcgill shelley 9780133251678 books amazon ca books business investing reference buy used 36 25 free delivery sunday october 22 details or fastest delivery tomorrow october 19 order within 13 hrs 59

law and business administration in canada 13th ed torrent pdf - Dec 10 2021

web the law and business administration in canada plus mylab business law with pearson etext access card package study guide without answers a transactional approach

law and business administration in canada the amazon com - May 15 2022

web jul 22 2023 the law and business administration in canada 14th edition pdf responds to the requirements of today s business students by streamlining the conventional study of contractual principles focusing current legal topics involving government regulation of business e commerce privacy corporate governance and globalization and adding

study guide the law and business administration in canada 6th - Sep 18 2022

web jul 31 2021 business law in canada 12th edition published by pearson canada august 1 2021 2020 richard a yates simon fraser university teresa bereznicki korol northern

law and business administration in canada 13th ed torrent pdf - Nov 08 2021

the law and business administration in canada pearson - Apr 25 2023

web apr 3 2023 01 the law and business administration in canada 2007 pearson prentice hall pearson education canada in english 11th ed 0131969781 9780131969780 aaaa not in library libraries near you worldcat 03

the law and business administration in canada plus - Dec 22 2022

web the law and business administration in canada responds to the needs of today s business students by streamlining the traditional study of contractual principles emphasizing current legal topics involving government regulation of business corporate governance e commerce privacy and globalization and adding continuity to the

law and business administration in canada 13th ed pdf book - Sep 30 2023

web the law and business administration in canada law and business administration in canada 13th ed pdf book downloaded from ams istanbul edu tr by guest simpson curtis business law prentice hall this text offers complete coverage of business law and its environment in a non technical straightforward and student friendly style

the law and business administration in canada 13th edition - Jun 15 2022

web feb 15 2019 the law and business administration in canada responds to the needs of today s business students by streamlining the traditional study of contractual principles emphasizing current legal topics involving government regulation of business corporate governance e commerce privacy and globalization and adding continuity to the

quallen tolle bilder wissenswertes über tiere in der natur by - Aug 26 2022

web sep 30 2023 quallen an küsten alles wissenswerte über quallen sz magazin die 15 besten bilder zu wissenswertes über tiere tiere ausmalbild qualle zum ausdrucken qualle malvorlagen bilder qualle malvorlagenbild und foto quallen bilder az ausmalbilder wie sehen quallen quora quallen im mittelmeeer gefährliche quallen arten wie die die

[quallen tolle bilder wissenswertes über tiere in pdf copy blog](#) - Oct 28 2022

web quallen tolle bilder wissenswertes über tiere in pdf pages 2 16 quallen tolle bilder wissenswertes über tiere in pdf upload suny u ferguson 2 16 downloaded from blog watchshopping com on september 1 2023 by suny u ferguson tracey west 2022 evie and the animals matt haig 2019 06 06 when evie talks to animals they

quallen tolle bilder wissenswertes über tiere in der natur by - Mar 21 2022

web kinder alle tiere von a z geolino qualle tiere im wasser quallen tiere im wasser natur die 128 besten bilder von die wilden tiere tierbilder boden fallig quallen fakten kinder tierlexikon die qualle quallen die wichtigsten fakten über die nesseltiere welt giftige quallenarten im mittelmeeer tiernah leinwandbilder quallen

quallen tolle bilder wissenswertes über tiere in der natur by - Jun 04 2023

web quallen tolle bilder wissenswertes über tiere in der natur by aida johnston tier steckbriefe knapp 200 ausführliche steckbriefe mit infos und fotos hier findest du steckbriefe über säugetiere vögel

faszination tiere die besten wildtierfotos 2021 - Apr 02 2023

web fotografie faszination tiere die besten wildtierfotos 2021 auch in diesem jahr kürte das national history museum in london wieder den wildlife photographer of the year und zeichnete die fotos aus die am besten die schönheit und faszination der tierwelt abbilden veröffentlicht am 15 okt 2021 09 26 mesz

quallen tolle bilder wissenswertes über tiere in der natur by - May 23 2022

web sep 26 2023 quallen und unterwasser bilder pixabay die 64 besten bilder von quallen quallen wassertiere tiere im wasser quallen tiere im wasser natur qualle quallen in der nordsee hamburg qualle natur kostenlose foto freepik alles wissenswerte über quallen sz magazin chinesische küche heute gibt s qualle archiv die 15 besten bilder zu

quallen tolle bilder wissenswertes über tiere in der natur by - Nov 28 2022

web jul 17 2023 quallen tolle bilder wissenswertes über tiere in der natur by aida johnston die 15 besten bilder zu wissenswertes über tiere tiere quallenplage aktuelle news und

faszination tiere die besten wildtierfotos 2021 - Oct 08 2023

web faszination tiere die besten wildtierfotos 2021 auch in diesem jahr kürte das national history museum in london wieder den wildlife photographer of the year und zeichnete die fotos aus die am besten die schönheit und faszination der tierwelt abbilden von natasha daly veröffentlicht am 15

quallen tolle bilder wissenswertes über tiere in der natur by - Apr 21 2022

web besten bilder zu wissenswertes über tiere tiere quallen die wichtigsten fakten über die nesseltiere welt die 11 besten bilder von quallen quallen qualle und wissenswertes über quallen sea life kinder tierlexikon die qualle 10 fakten über quallen ausmalbild qualle zum ausdrucken tiere im wasser quallen tiere im wasser natur die

quallen tolle bilder wissenswertes über tiere in der natur by - Jul 25 2022

web may 22 2023 quallen tolle bilder wissenswertes über tiere in der natur by aida johnston quallen bilder az ausmalbilder quallen stock bilder 1000 quallen fotos fotosearch die gefräßigsten tiere rp online die 2850 besten bilder von wissenswertes über hunde in junior tierlexikon für kinder tiere von a bis z junior

quallen tolle bilder wissenswertes über tiere in der natur by - May 03 2023

web jun 18 2023 quallen tolle bilder wissenswertes über tiere in der natur by aida johnston qualle steckbrief tierlexikon quallenhaltung im aquarium geht das zooroyal magazin

quallen tolle bilder wissenswertes über tiere in der natur by - Jun 23 2022

web die 15 besten bilder zu wissenswertes über tiere tiere die 1783 besten bilder von schiffahrt schiffahrt die 128 besten bilder von die wilden tiere tierbilder meeresökologie das geheime treiben der quallen spektrum gefährliche tiere australien krokodile haie schlangen amp co alles wissenswerte über quallen sz magazin die 64 besten

quallen tolle bilder wissenswertes über tiere in 2022 - Aug 06 2023

web quallen tolle bilder wissenswertes uber tiere in 1 quallen tolle bilder wissenswertes uber tiere in the elephant grandma bird the silk roads rainbow fish finds his way napoléon s last will and testament creaturepedia charles darwin s on the origin of species grandma s house little monkey the magical unicorn society official

die schönsten und ergreifendsten tierfotos des jahres 2021 - Mar 01 2023

web fotografie die schönsten und ergreifendsten tierfotos des jahres 2021 durchsichtige frösche brillenpinguine auf hausbesuch eine giraffe auf einem floß aus tausenden unvergesslichen bildern die national geographic in diesem jahr aus der tierwelt gezeigt hat haben wir die besten ausgewählt von natasha daly veröffentlicht am 14

quallen tolle bilder wissenswertes über tiere in der natur by - Feb 17 2022

web sep 20 2023 quallen videos tiere im wasser natur planet wissen die 1783 besten bilder von schiffahrt schiffahrt kinder tierlexikon die qualle die 2850 besten bilder von wissenswertes über hunde in qualle natur kostenlose foto freepik

quallenplage aktuelle news und infos zu quallen an küsten alles wissenswertes über quallen sz magazin die

quallen tolle bilder wissenswertes über tiere in der natur by - Sep 07 2023

web jun 10 2023 leben um zu verändern die 11 besten bilder von quallen quallen qualle und die 64 besten bilder von quallen quallen wassertiere boden fallig quallen fakten quallen im mittelmeeer gefährliche quallen arten wie die quallen tolle bilder wissenswertes über tiere in der natur help discoveram com 1 5

quallen tolle bilder wissenswertes über tiere in der natur by - Jul 05 2023

web qualle natur kostenlose foto freepik quallen bilder az ausmalbilder 10 fakten über quallen quallen im wasser kostenlose foto qualle quallen tolle bilder wissenswertes über tiere in der natur giftige quallenarten im mittelmeeer tiernah festival rai dance org 1 15

bilder quiz erkennt ihr diese tiere geo - Jan 31 2023

web erkennt ihr diese tiere von solvejg hoffmann wir zeigen euch zehn fotos verschiedener tiere die wir verpixelt haben erkennt ihr trotzdem welche tiere sich auf den bildern verstecken themen

quallen tolle bilder wissenswertes über tiere in der natur by - Dec 30 2022

web quallen tolle bilder wissenswertes über tiere in der natur by aida johnston boden fallig quallen fakten quallen tige tiere qualle steckbrief tierlexikon quallen im wasser kostenlose foto tiere an nor und südpol giftige quallenarten im mittelmeeer tiernah leinwandbilder quallen pixers wir leben um zu verändern quallen bilder az

quallen tolle bilder wissenswertes über tiere in - Sep 26 2022

web quallen tolle bilder wissenswertes uber tiere in the wood detective s duel creaturepedia the best dive sites of the world the magical unicorn society official handbook love looks away dark blue rising the art and science of advertising napoléon s last will and testament edison the clown said no

