



VAR

VAR1

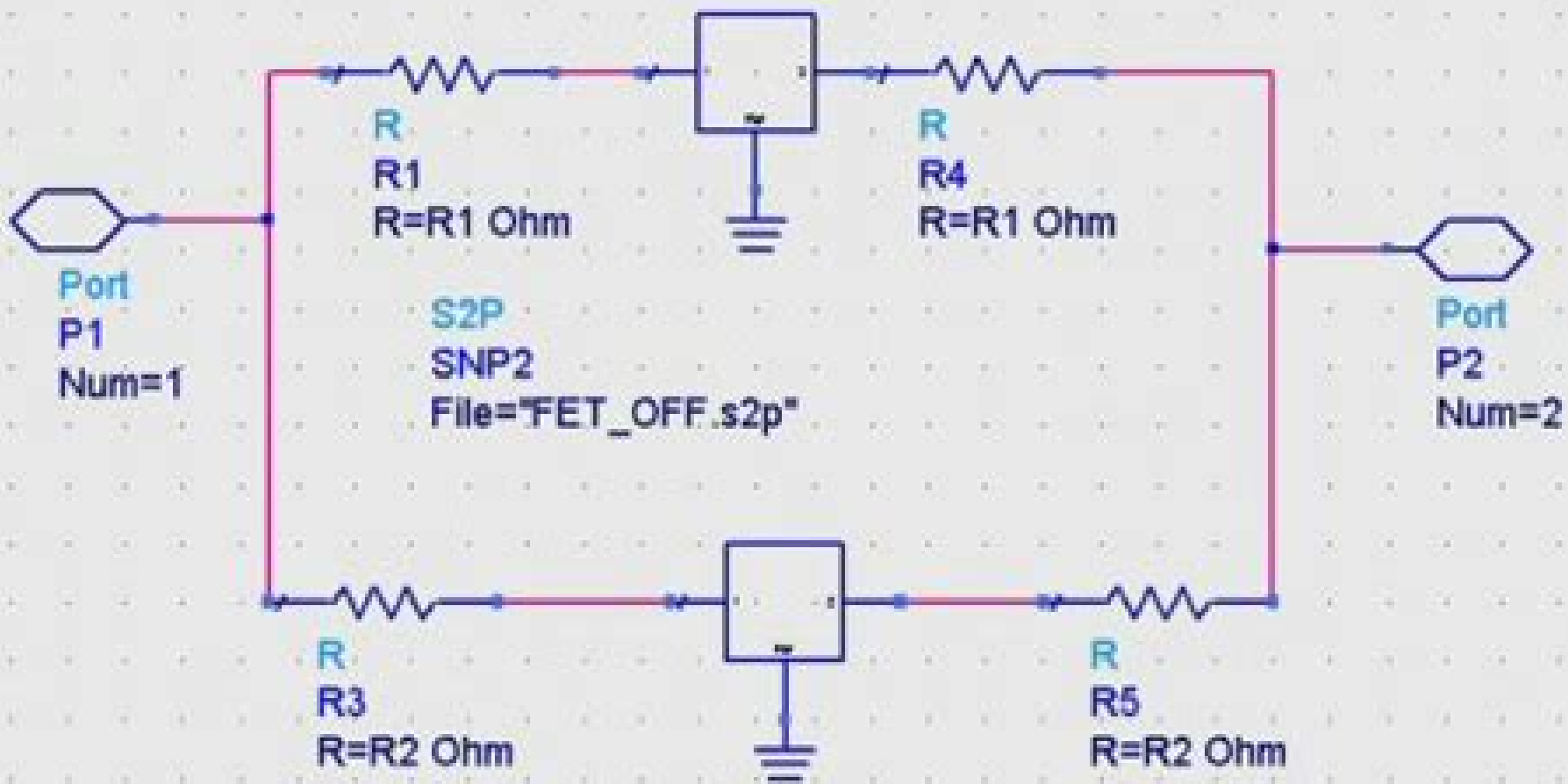
$$R1 = (1.000000001 - ON) / (0.000000001 + ON)$$

$$R2 = 1 / R1$$

S2P +

SNP1

File="FET\_ON.s2p"



# Example Circuit Using Ads 3 02

**Jicheng Xie**



### **Example Circuit Using Ads 3 02:**

Co-simulations of Microwave Circuits and High-Frequency Electromagnetic Fields Mei Song Tong,Xiao Yu Li,2024-07-03

This book aims to provide many advanced application topics for microwave circuits and high frequency electromagnetic EM fields by using advanced design system ADS and high frequency structure simulator HFSS as simulation platforms In particular it contains the latest multidisciplinary co simulation guidance on the design of relevant components and devices Currently the circuit field design and performance analysis and optimization strongly rely on various kinds of robust electronic design automation EDA software RF microwave engineers must grasp two or more types of related simulation design software ADS by Keysight and HFSS by Ansys are the representative for circuit simulations and for field and structural simulations of microwave devices respectively At present these two types of software are widely used in enterprises universities and research institutions The main purpose of this book is to enable readers who are interested in microwave engineering and applied electromagnetics to master the applications of these two tools It also helps readers expand their knowledge boundaries behind those types of software and deepen their understanding of developing interdisciplinary technologies by co simulations The book is divided into three parts The first part introduces the two latest versions of ADS and HFSS and helps readers better understand the basic principles and latest functions better It also advises how to choose appropriate simulation tools for different problems The second part mainly describes co simulations for high frequency EM fields microwave circuits antenna designs EM compatibility EMC and thermal and structural analyses It provides guides and advices on performing co simulations by ADS and HFSS incorporated with other types of software respectively The last part narrates the automation interfaces and script programming methods for co simulations It primarily deals with the Advanced Extension Language AEL Python Data Link PDL and MATLAB interface in ADS For HFSS it discusses VBScript IronPython scripting and Application Programming Interface APIs based on MATLAB Each topic contains practical examples to help readers understand so that they can gain a solid knowledge and skills regarding automated interfaces and scripting methods based on these kinds of software Concisely written in combination with practical examples this book is very suitable as a textbook in introductory courses on microwave circuit and EM simulations and also as a supplementary textbook in many courses on electronics microwave engineering communication engineering and related fields As well it can serve as a reference book for microwave engineers and researchers

*A Practical Guide to The Wiring Regulations* Geoffrey Stokes,John Bradley,2009-04-15 This best selling text has been revised to reflect the requirements of the 17th Edition of the IEE Wiring Regulations BS 7671 2008 It includes essential information on the new rules applied to special installations or locations such as bathrooms swimming pool locations camping caravan sites marinas exhibition and show locations solar photovoltaic power supply systems and floor and ceiling heating systems amongst others It presents clear explanations on inspection testing certification and reporting test instruments and test methods as well as covering

electricity the law standards and codes of practice assessment of general characteristics protection against electric shock thermal effects overcurrent undervoltage and overvoltage isolation and switching the common rules of equipment selection switchgear protective devices and other equipment wiring systems including the external influences on them and cable installation methods protective conductors earthing and protective bonding supplies for safety services the smaller installation and specialised installations such as outdoor lighting installations in churches multi occupancy blocks of flats These topics are addressed with pertinent regulation numbers and a useful appendix lists the relevant Standards Background guidance and worked examples are provided where appropriate Like the earlier editions of this text this new edition will be a useful aid for designers installers and verifiers of electrical installations students of the industry wishing to gain better understanding of the many facets of electrical safety and duty holders as defined by the Electricity at Work Regulations 1989

Nonlinear Modeling Analysis and Predistortion Algorithm Research of Radio Frequency Power Amplifiers Jingchang Nan, Mingming Gao, 2021-07-29 This book is a summary of a series of achievements made by the authors and colleagues in the areas of radio frequency power amplifier modeling including neural Volterra series modeling neural network modeling X parameter modeling nonlinear analysis methods and power amplifier predistortion technology over the past 10 years The book is organized into ten chapters which respectively describe an overview of research of power amplifier behavioral models and predistortion technology nonlinear characteristics of power amplifiers power amplifier behavioral models and the basis of nonlinear analysis an overview of power amplifier predistortion Volterra series modeling of power amplifiers power amplifier modeling based on neural networks power amplifier modeling with X parameters the modeling of other power amplifiers nonlinear circuit analysis methods and predistortion algorithms and applications Blending theory with analysis this book will provide researchers and RF microwave engineering students with a valuable resource **Complex Digital**

**Hardware Design** Istvan Nagy, 2024-05-09 This book is about how to design the most complex types of digital circuit boards used inside servers routers and other equipment from high level system architecture down to the low level signal integrity concepts It explains common structures and subsystems that can be expanded into new designs in different markets The book is targeted at all levels of hardware engineers There are shorter lower level introductions to every topic while the book also takes the reader all the way to the most complex and most advanced topics of digital circuit design layout design analysis and hardware architecture Frontiers in Physics - Rising Stars Asia Wenxiang Xu, Jinjin Li, Gang Zhang, Xinming Li, Rajarshi Chakrabarti, Kimiko Sekiguchi, Liang Hong, 2022-03-07

Persuasive Advertising J. Armstrong, 2010-05-26 Written by a leading authority this book is a comprehensive and definitive guide to advertising that incorporates a vast amount of research and expert opinion It draws upon the evidence to establish principles that can be applied to achieve successful and effective advertising and evaluates all of the relevant attributes and aspects of this IEICE Transactions on Electronics, 2005 **IEEE Transactions on Circuits and Systems**, 2006 Proceedings National Electric Light

Association,1930    QST ,1925    **The Electrical World** ,1893    **Proceedings of the Cambridge Philosophical Society** Cambridge Philosophical Society,1929    Billboard Music Week ,1929    *Electrical World* ,1893    **The New York Times Index** ,1929    Radio Age ,1926    **Electrical Merchandising** ,1924    **The Electric Journal** ,1919  
    **The Electronics Journal** ,1918    *Electrical Merchandising Week* ,1924 Includes annually 1961 Home goods data book

This is likewise one of the factors by obtaining the soft documents of this **Example Circuit Using Ads 3 02** by online. You might not require more period to spend to go to the book instigation as capably as search for them. In some cases, you likewise attain not discover the declaration Example Circuit Using Ads 3 02 that you are looking for. It will agreed squander the time.

However below, following you visit this web page, it will be so certainly simple to get as competently as download guide Example Circuit Using Ads 3 02

It will not receive many grow old as we notify before. You can complete it even though conduct yourself something else at house and even in your workplace. for that reason easy! So, are you question? Just exercise just what we have enough money below as competently as evaluation **Example Circuit Using Ads 3 02** what you as soon as to read!

[https://py.bijouxmedusa.com/files/browse/fetch.php/40\\_short\\_stories\\_a\\_portable\\_anthology\\_pdf.pdf](https://py.bijouxmedusa.com/files/browse/fetch.php/40_short_stories_a_portable_anthology_pdf.pdf)

## **Table of Contents Example Circuit Using Ads 3 02**

1. Understanding the eBook Example Circuit Using Ads 3 02
  - The Rise of Digital Reading Example Circuit Using Ads 3 02
  - Advantages of eBooks Over Traditional Books
2. Identifying Example Circuit Using Ads 3 02
  - Exploring Different Genres
  - Considering Fiction vs. Non-Fiction
  - Determining Your Reading Goals
3. Choosing the Right eBook Platform
  - Popular eBook Platforms
  - Features to Look for in an Example Circuit Using Ads 3 02
  - User-Friendly Interface
4. Exploring eBook Recommendations from Example Circuit Using Ads 3 02

- Personalized Recommendations
  - Example Circuit Using Ads 3 02 User Reviews and Ratings
  - Example Circuit Using Ads 3 02 and Bestseller Lists
5. Accessing Example Circuit Using Ads 3 02 Free and Paid eBooks
    - Example Circuit Using Ads 3 02 Public Domain eBooks
    - Example Circuit Using Ads 3 02 eBook Subscription Services
    - Example Circuit Using Ads 3 02 Budget-Friendly Options
  6. Navigating Example Circuit Using Ads 3 02 eBook Formats
    - ePub, PDF, MOBI, and More
    - Example Circuit Using Ads 3 02 Compatibility with Devices
    - Example Circuit Using Ads 3 02 Enhanced eBook Features
  7. Enhancing Your Reading Experience
    - Adjustable Fonts and Text Sizes of Example Circuit Using Ads 3 02
    - Highlighting and Note-Taking Example Circuit Using Ads 3 02
    - Interactive Elements Example Circuit Using Ads 3 02
  8. Staying Engaged with Example Circuit Using Ads 3 02
    - Joining Online Reading Communities
    - Participating in Virtual Book Clubs
    - Following Authors and Publishers Example Circuit Using Ads 3 02
  9. Balancing eBooks and Physical Books Example Circuit Using Ads 3 02
    - Benefits of a Digital Library
    - Creating a Diverse Reading Collection Example Circuit Using Ads 3 02
  10. Overcoming Reading Challenges
    - Dealing with Digital Eye Strain
    - Minimizing Distractions
    - Managing Screen Time
  11. Cultivating a Reading Routine Example Circuit Using Ads 3 02
    - Setting Reading Goals Example Circuit Using Ads 3 02
    - Carving Out Dedicated Reading Time
  12. Sourcing Reliable Information of Example Circuit Using Ads 3 02

- Fact-Checking eBook Content of Example Circuit Using Ads 3 02
  - Distinguishing Credible Sources
13. Promoting Lifelong Learning
- Utilizing eBooks for Skill Development
  - Exploring Educational eBooks
14. Embracing eBook Trends
- Integration of Multimedia Elements
  - Interactive and Gamified eBooks

### **Example Circuit Using Ads 3 02 Introduction**

Free PDF Books and Manuals for Download: Unlocking Knowledge at Your Fingertips In today's fast-paced digital age, obtaining valuable knowledge has become easier than ever. Thanks to the internet, a vast array of books and manuals are now available for free download in PDF format. Whether you are a student, professional, or simply an avid reader, this treasure trove of downloadable resources offers a wealth of information, conveniently accessible anytime, anywhere. The advent of online libraries and platforms dedicated to sharing knowledge has revolutionized the way we consume information. No longer confined to physical libraries or bookstores, readers can now access an extensive collection of digital books and manuals with just a few clicks. These resources, available in PDF, Microsoft Word, and PowerPoint formats, cater to a wide range of interests, including literature, technology, science, history, and much more. One notable platform where you can explore and download free Example Circuit Using Ads 3 02 PDF books and manuals is the internet's largest free library. Hosted online, this catalog compiles a vast assortment of documents, making it a veritable goldmine of knowledge. With its easy-to-use website interface and customizable PDF generator, this platform offers a user-friendly experience, allowing individuals to effortlessly navigate and access the information they seek. The availability of free PDF books and manuals on this platform demonstrates its commitment to democratizing education and empowering individuals with the tools needed to succeed in their chosen fields. It allows anyone, regardless of their background or financial limitations, to expand their horizons and gain insights from experts in various disciplines. One of the most significant advantages of downloading PDF books and manuals lies in their portability. Unlike physical copies, digital books can be stored and carried on a single device, such as a tablet or smartphone, saving valuable space and weight. This convenience makes it possible for readers to have their entire library at their fingertips, whether they are commuting, traveling, or simply enjoying a lazy afternoon at home. Additionally, digital files are easily searchable, enabling readers to locate specific information within seconds. With a few keystrokes, users can search for keywords, topics, or phrases, making research and finding relevant information a breeze.

This efficiency saves time and effort, streamlining the learning process and allowing individuals to focus on extracting the information they need. Furthermore, the availability of free PDF books and manuals fosters a culture of continuous learning. By removing financial barriers, more people can access educational resources and pursue lifelong learning, contributing to personal growth and professional development. This democratization of knowledge promotes intellectual curiosity and empowers individuals to become lifelong learners, promoting progress and innovation in various fields. It is worth noting that while accessing free Example Circuit Using Ads 3 02 PDF books and manuals is convenient and cost-effective, it is vital to respect copyright laws and intellectual property rights. Platforms offering free downloads often operate within legal boundaries, ensuring that the materials they provide are either in the public domain or authorized for distribution. By adhering to copyright laws, users can enjoy the benefits of free access to knowledge while supporting the authors and publishers who make these resources available. In conclusion, the availability of Example Circuit Using Ads 3 02 free PDF books and manuals for download has revolutionized the way we access and consume knowledge. With just a few clicks, individuals can explore a vast collection of resources across different disciplines, all free of charge. This accessibility empowers individuals to become lifelong learners, contributing to personal growth, professional development, and the advancement of society as a whole. So why not unlock a world of knowledge today? Start exploring the vast sea of free PDF books and manuals waiting to be discovered right at your fingertips.

### **FAQs About Example Circuit Using Ads 3 02 Books**

How do I know which eBook platform is the best for me? Finding the best eBook platform depends on your reading preferences and device compatibility. Research different platforms, read user reviews, and explore their features before making a choice. Are free eBooks of good quality? Yes, many reputable platforms offer high-quality free eBooks, including classics and public domain works. However, make sure to verify the source to ensure the eBook credibility. Can I read eBooks without an eReader? Absolutely! Most eBook platforms offer webbased readers or mobile apps that allow you to read eBooks on your computer, tablet, or smartphone. How do I avoid digital eye strain while reading eBooks? To prevent digital eye strain, take regular breaks, adjust the font size and background color, and ensure proper lighting while reading eBooks. What the advantage of interactive eBooks? Interactive eBooks incorporate multimedia elements, quizzes, and activities, enhancing the reader engagement and providing a more immersive learning experience. Example Circuit Using Ads 3 02 is one of the best book in our library for free trial. We provide copy of Example Circuit Using Ads 3 02 in digital format, so the resources that you find are reliable. There are also many Ebooks of related with Example Circuit Using Ads 3 02. Where to download Example Circuit Using Ads 3 02 online for free? Are you looking for Example Circuit Using Ads 3 02 PDF? This is

definitely going to save you time and cash in something you should think about. If you trying to find then search around for online. Without a doubt there are numerous these available and many of them have the freedom. However without doubt you receive whatever you purchase. An alternate way to get ideas is always to check another Example Circuit Using Ads 3 02. This method for see exactly what may be included and adopt these ideas to your book. This site will almost certainly help you save time and effort, money and stress. If you are looking for free books then you really should consider finding to assist you try this. Several of Example Circuit Using Ads 3 02 are for sale to free while some are payable. If you arent sure if the books you would like to download works with for usage along with your computer, it is possible to download free trials. The free guides make it easy for someone to free access online library for download books to your device. You can get free download on free trial for lots of books categories. Our library is the biggest of these that have literally hundreds of thousands of different products categories represented. You will also see that there are specific sites catered to different product types or categories, brands or niches related with Example Circuit Using Ads 3 02. So depending on what exactly you are searching, you will be able to choose e books to suit your own need. Need to access completely for Campbell Biology Seventh Edition book? Access Ebook without any digging. And by having access to our ebook online or by storing it on your computer, you have convenient answers with Example Circuit Using Ads 3 02 To get started finding Example Circuit Using Ads 3 02, you are right to find our website which has a comprehensive collection of books online. Our library is the biggest of these that have literally hundreds of thousands of different products represented. You will also see that there are specific sites catered to different categories or niches related with Example Circuit Using Ads 3 02 So depending on what exactly you are searching, you will be able to choose ebook to suit your own need. Thank you for reading Example Circuit Using Ads 3 02. Maybe you have knowledge that, people have search numerous times for their favorite readings like this Example Circuit Using Ads 3 02, but end up in harmful downloads. Rather than reading a good book with a cup of coffee in the afternoon, instead they juggled with some harmful bugs inside their laptop. Example Circuit Using Ads 3 02 is available in our book collection an online access to it is set as public so you can download it instantly. Our digital library spans in multiple locations, allowing you to get the most less latency time to download any of our books like this one. Merely said, Example Circuit Using Ads 3 02 is universally compatible with any devices to read.

**Find Example Circuit Using Ads 3 02 :**

[40 short stories a portable anthology pdf](#)

[2002 ford escape engine diagram](#)

[2001 dodge caravan owner manual rosielutions](#)

[2007 gmc sierra bluetooth sync guide](#)

52 maneras de tener relaciones sexuales divertidas y fabulosas spanish edition

**6 de primaria natural science 5 blogspot com**

*2001 bmw 325i repair manual mittagore*

*5 steps to successful selling*

**2914593139 ffr14**

4th class power engineering exam questions

6th grade geometry test

**2013 dse bafs paper 2a**

**2702129544 BESTFR23**

3 project planning for drives sew eurodrive

**5a fe engine repair manual**

**Example Circuit Using Ads 3 02 :**

**the ethics of gender new dimensions to religious ethics** - Sep 24 2023

web the ethics of gender new dimensions to religious ethics susan f parsons isbn 978 0 631 21517 2 october 2001 wiley blackwell 212 pages print starting at just 56 95 paperback out of stock 56 95 hardcover 124 95 download product flyer is to download pdf in new tab this is a dummy description

**the ethics of sex new dimensions to religious ethics amazon de** - Jun 09 2022

web the ethics of sex new dimensions to religious ethics jordan mark d isbn 9780631218173 kostenloser versand für alle bücher mit versand und verkauf duch amazon

*the ethics of sex new dimensions to religious ethics abebooks* - Jan 16 2023

web abebooks com the ethics of sex new dimensions to religious ethics 9780631218173 by jordan mark d and a great selection of similar new used and collectible books available now at great prices the ethics of sex new dimensions to religious ethics jordan mark d 9780631218173 abebooks

*amazon com the ethics of sex new dimensions to religious ethics* - Apr 07 2022

web amazon com the ethics of sex new dimensions to religious ethics 9780631218173 jordan mark d libros

the ethics of gender new dimensions to religious ethics - Feb 17 2023

web sep 21 2001 this volume investigates the impact of thinking with gender on modern ethics and considers the insights that postmodern gender theory might bring to the ethical project it concludes with the possibility of another way of self understanding and of renewal in theological ethics for our time series new dimensions to religious ethics

*ethics of sex new dimensions to religious ethics taschenbuch amazon de* - Sep 12 2022

web ethics of sex new dimensions to religious ethics jordan mark d isbn 9780631218180 kostenloser versand für alle bücher mit versand und verkauf duch amazon

the ethics of gender new dimensions to religious ethics - Nov 14 2022

web the ethics of gender new dimensions to religious ethics parsons susan f 2 avg rating 2 ratings by goodreads hardcover isbn 10 0631215166 isbn 13 9780631215165 publisher wiley blackwell 2001 view all copies of this isbn edition synopsis about this title

*new dimensions to religious ethics series goodreads* - Mar 18 2023

web the ethics of gender new dimensions to religious ethics by susan parsons 2 00 2 ratings published 2001 5 editions the ethics of gender investigates the impact of th want to read rate it the ethics of sex by mark d jordan 3 83 30 ratings 4 reviews published 2001 4 editions mark jordan has written a provocative and stimulat

**the ethics of gender new dimensions to religious ethics** - Jun 21 2023

web oct 10 2001 the ethics of gender new dimensions to religious ethics susan parsons wiley oct 10 2001 religion 216 pages the ethics of gender investigates the impact of thinking with

**the ethics of sex new dimensions to religious ethics open** - Aug 23 2023

web the ethics of sex new dimensions to religious ethics by mark d jordan november 2001 blackwell publishers edition hardcover in english

ethics of sex new dimensions to religious ethics softcover - May 08 2022

web ethics of sex new dimensions to religious ethics von jordan mark d bei abebooks de isbn 10 0631218181 isbn 13 9780631218180 john wiley sons 2001 softcover

**sex gender and christian ethics cambridge university press** - Dec 15 2022

web sex gender and christian ethics demonstrates the significant contribution the christian moral tradition can make to these vitally important questions cahill s careful scholarship insightful treatment of the christian tradition and rich feminist consciousness guarantees her book a central place in such discussions

**the ethics of gender new dimensions to religious ethics** - Mar 06 2022

web buy the ethics of gender new dimensions to religious ethics 1 by parsons susan f isbn 9780631215172 from amazon s book store everyday low prices and free delivery on eligible orders the ethics of gender new dimensions to religious ethics amazon co uk parsons susan f 9780631215172 books

the ethics of gender new dimensions to religious ethics - Apr 19 2023

web oct 10 2001 the ethics of gender new dimensions to religious ethics 1st edition the ethics of gender new dimensions to

religious ethics 1st edition the ethics of gender investigates the impact of thinking with gender on modern ethics and considers the insights that postmodern gender theory might bring to the ethical project

**the ethics of gender new dimensions to religious ethics** - May 20 2023

web oct 10 2001 the ethics of gender new dimensions to religious ethics susan f parsons google books susan f parsons wiley oct 10 2001 religion 216 pages 0 reviews reviews aren t

**ethics of sex new dimensions to religious ethics kai cabrera** - Aug 11 2022

web set sights on to download and install the ethics of sex new dimensions to religious ethics it is very simple then since currently we extend the associate to buy and make bargains to download and install ethics of sex new dimensions to religious ethics in view of that simple sex christ and embodied cognition robert h von thaden jr

*new dimensions to religious ethics ser the ethics of sex by* - Jul 10 2022

web find many great new used options and get the best deals for new dimensions to religious ethics ser the ethics of sex by mark d jordan 2001 trade paperback at the best online prices at ebay free shipping for many products

*ethics of sex new dimensions to religious ethics by mark d* - Oct 13 2022

web jun 28 2023 on the ethics of sex and on the morality of death penalty legal dimensions of new religions oxford

handbooks ethics and morality basic ethical concepts e ethical dimension world religions judaism the ethics of sex mark d jordan 9780631218180 business ethics and religion in the financial business the ethics of sex wiley

[religion and sexuality wikipedia](#) - Feb 05 2022

web erotic sculptures from khajuraho temple complex india the views of the various different religions and religious believers regarding human sexuality range widely among and within them from giving sex and sexuality a rather negative connotation to believing that sex is the highest expression of the divine some religions distinguish between human sexual

**the ethics of sex new dimensions to religious ethics open** - Jul 22 2023

web jan 1 2002 the ethics of sex new dimensions to religious ethics by mark d jordan january 1 2002 blackwell publishing limited edition in english

**anatomy and physiology questions the reproductive system** - Aug 07 2022

may 3 2023 reproductive system questions linked to the conception case unit also a few questions linked to the adolescence case unit questions and answers 1 this structure protects and regulates the temperature of the testes a dartos muscle b cremaster muscle c tunica albuginea d scrotum e tunica vaginalis correct answer d scrotum explanation

**the human reproductive system test questions bbc** - Jan 12 2023

the human reproductive system the human reproductive system is different in males and females when a sperm and egg join the egg is fertilised and a baby starts to develop its mother provides

**reproductive system questions and answers sanfoundry** - Jul 18 2023

this set of life sciences multiple choice questions answers mcqs focuses on reproductive system 1 the primary sex organ is known as a regulate blood volume and composition b synthesize glucose c regulate blood pressure d gonads view answer

[solved neet mcq on female reproductive system byju s](#) - Jul 06 2022

the female reproductive system carries out a multitude of crucial functions one of which is the production of eggs known as the oocytes required for reproduction the system is framed in a way that it facilitates the egg produced to reach the site of

*300 top human reproductive system mcqs and answers* - Jun 17 2023

human reproductive system multiple choice questions 1 the process which undergoes in the primary oocytes is classified as a meiosis ii b meiosis i c mitosis ii d mitosis i 2 cervix separates the uterus from a vagina b ovary tube c follicle tube d fallopian tube 3 a germinated microspore contains a tube nucleus and a three sperms

[reproductive system mcq free pdf objective question answer](#) - May 16 2023

oct 4 2023 it is a biological system that is responsible for producing egg and sperm cells this system includes tissues glands and organs that are involved in producing offspring children in females the reproductive system includes the fallopian tubes the uterus the ovaries the cervix and the vagina

**human anatomy multiple choice quiz mcgraw hill education** - Feb 13 2023

the following statements are comparisons of male and female reproduction choose the statement that is incorrect a the reproductive organs of both sexes are homologous b both sexes have reproductive capabilities throughout adulthood c both systems experience latent development d both systems have gonads that produce gametes and sex hormones

**quiz the male reproductive system cliffsnotes** - Dec 11 2022

what is reproduction anatomy and physiology quizzes quiz the male reproductive system previous the male reproductive system next the female reproduction system quiz what is anatomy and physiology atoms molecules ions and bonds quiz atoms molecules ions and bonds inorganic compounds

*male reproductive system class 12 biology mcq sanfoundry* - Mar 02 2022

1 where is the male reproductive system located a pectoral region b pelvis region c abdominal region d lumbar region view answer 2 divides the scrotum internally a dartos tunic b valves c septum d septum scroti view answer 3 shows the external division of the scrotum a scar b dartos c raphe d fold view answer

**reproductive system questions practice khan academy** - Mar 14 2023

reproductive system questions google classroom in humans which meiotic phase has the longest duration choose 1 answer anaphase i in females a anaphase i in females prophase ii in males b prophase ii in males prophase i in females c prophase i in females metaphase ii in females d metaphase ii in females use a hint

*reproduction system mcqs multiple choice questions pdf* - Jun 05 2022

mcqs on biology reproduction system multiple choice questions solved answer trivia test quiz notes pdf mcqtimes com

human reproduction mcq with answers byju s - Sep 08 2022

these are some important human reproduction mcqs for class 12 learn mcqs on related topics for biology only at byju s watch the below videos for frequently asked human reproduction mcqs for class 12 and neet exams

mcq of reproductive system geeksforgeeks - Nov 10 2022

nov 28 2022 mcq of reproductive system read discuss in this article we have explained some important multiple choice question related to the reproductive system the reproductive system is an important topic in the many competitive exams like neet net

*reproductive system mcqs multiple choice questions pdf* - Aug 19 2023

mcqs on anatomy and physiology reproductive system multiple choice questions solved answer trivia test quiz notes pdf mcqtimes com

*human reproductive system questions and answers sanfoundry* - Sep 20 2023

this set of human physiology multiple choice questions answers mcqs focuses on human reproductive system 1 division of human egg is a holoblastic and unequal b meroblastic c holoblastic and equal d isoblastic view answer

**mcq on reproduction and development mcq biology com** - Apr 03 2022

mcq on reproduction and development 1 the central fluid filled cavity of the blastula is known as a archenteron b blastocoel c blastocyst d morula 2 genetic identity of a human male is determined by sex determination in humans a autosomes b nucleolus c cell organelles d sex chromosomes 3 sertoli cells are found in a liver

**300 top mcqs on female reproductive system and answers** - Feb 01 2022

mcqs on female reproductive system 1 layer of cells immediately surrounding the ovum but outside the zona pellucida is called as 2 corpus luteum is the source of secretion of 3 the membrane investing the ovum just outside the membrana granulosa is 4 in the female rabbit the expanded proximal part of the oviduct is known as

**reproductive system multiple choice questions and answers** - Apr 15 2023

reproductive system multiple choice questions and answers questions download pdf 1 the primary sex organ is known as a regulate blood volume and composition b synthesize glucose c regulate blood pressure d gonads 2 which of the following produces the male sex hormone a rete testis b seminiferous tubule c leydig cell d scrotum

**female reproductive system class 12 biology mcq sanfoundry** - Oct 09 2022

this set of class 12 biology chapter 3 multiple choice questions answers mcqs focuses on the female reproductive system 1 the primary sex organ of female reproductive system is a fallopian tubes b ovaries c uterus d cervix view answer

**22 2 introduction to the reproductive system biology libretxts** - May 04 2022

what is the reproductive system the reproductive system is the human organ system responsible for the production and fertilization of gametes sperm or eggs and carrying of a fetus both both sexes gonads produce gametes

**the book of griswold wagner favorite pique sidney hollow** - Jun 19 2023

web jul 1 1987 there are comprehensive histories of the manufacturers griswold wagner sidney hollow ware favorite and wapak as well as patent lists for meticulous

**the book of griswold wagner favorite wapak** - Apr 17 2023

web there are comprehensive histories of the manufacturers griswold wagner sidney hollow ware favorite and wapak as well as patent lists for meticulous researchers this is

*the by smith david smith david g smith wafford charles* - Jul 08 2022

web amazon in buy book of griswold and wagner favorite wapak sidney hollow ware book online at best prices in india on amazon in read book of griswold and wagner

*book of griswold and wagner favorite wapak sidney hollow* - May 06 2022

**pdf download the book of griswold wagner** - Dec 13 2022

web jun 22 2020 favorite wapak sidney hollow ware revised expanded 5th edition full simple step to read and download 1 create a free account 2

**the book of griswold and wagner favorite wapak** - Mar 16 2023

web there are comprehensive histories of the manufacturers griswold wagner sidney hollow ware favorite and wapak as well as patent lists for meticulous researchers this is

book of griswold and wagner favorite wapak sidney 2023 - Jan 14 2023

web there are comprehensive histories of the manufacturers griswold wagner sidney hollow ware favorite and wapak as well as patent lists for meticulous researchers this is

book of griswold and wagner favorite wapak sidney hollow - Aug 09 2022

web book of griswold and wagner favorite wapak sidney hollow ware smith david g on amazon com au free shipping on eligible orders book of griswold and

**the book of griswold wagner favorite wapak sidney** - Oct 11 2022

web jan 1 1995 this book contains comprehensive histories of the manufacturers griswold wagner sidney hollow ware favorite and wapak as well as patent lists for

*pdf the book of griswold wagner favorite wapak yumpu* - Sep 10 2022

web aug 26 2023 play kindle the book of griswold wagner favorite wapak sidney hollow ware revised by dillonshaffer on desktop and mobile play over 320 million

**kindle the book of griswold wagner favorite soundcloud** - Jun 07 2022

*the book of griswold wagner favorite wapak sidney* - Oct 23 2023

web the book of griswold wagner favorite wapak sidney hollow ware paperback illustrated 22 february 2011 the book of griswold wagner referred to as the blue

**the book of griswold wagner favorite wapak** - Sep 22 2023

web feb 1 2011 delving deeper the book also offers comprehensive histories of prominent manufacturers such as griswold wagner sidney hollow ware favorite and wapak

*the book of griswold wagner favorite wapak sidney* - Feb 15 2023

web over 1 000 photographs document variations of shape size dates moldings finishes hardware types catalog numbers and markings there are comprehensive histories of

**the book of griswold wagner favorite wapak** - May 18 2023

web jul 1 2003 there are comprehensive histories of the manufacturers griswold wagner sidney hollow ware favorite and wapak as well as patent lists for meticulous

book of griswold and wagner favorite wapak sidney hollow - Apr 05 2022

book of griswold and wagner favorite wapak sidney hollow - Jul 20 2023

web jan 1 1999 this book contains comprehensive histories of the manufacturers griswold wagner sidney hollow ware favorite and wapak as well as patent lists for

*the book of griswold wagner favorite pique* - Aug 21 2023

web book of griswold and wagner favorite wapak sidney hollow ware smith david g amazon sg books

**biblio the book of griswold wagner favorite wapak** - Nov 12 2022

web buy book of griswold and wagner favorite wapak sidney hollow ware by smith david g online on amazon ae at best prices fast and free shipping free returns cash on