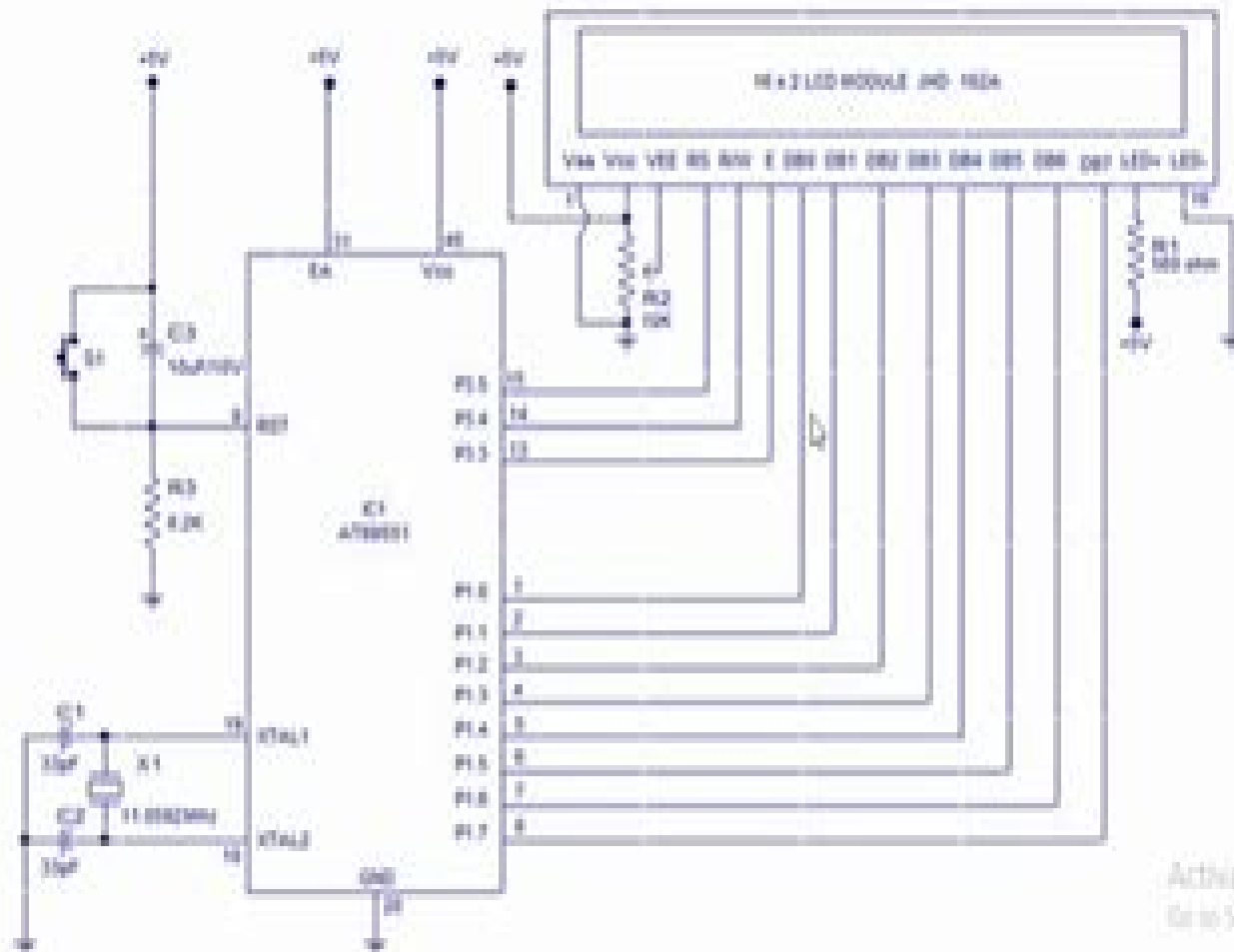


16x2 LCD interfacing to 8051 microcontroller



Interfacing 16x2 Lcd With 8051 Microcontroller Lcd Module

B Lingard



Interfacing 16x2 Lcd With 8051 Microcontroller Lcd Module:

Unveiling the Energy of Verbal Beauty: An Mental Sojourn through **Interfacing 16x2 Lcd With 8051 Microcontroller Lcd Module**

In a global inundated with screens and the cacophony of fast transmission, the profound energy and mental resonance of verbal art often diminish into obscurity, eclipsed by the continuous assault of sound and distractions. However, nestled within the lyrical pages of **Interfacing 16x2 Lcd With 8051 Microcontroller Lcd Module**, a captivating perform of literary elegance that pulses with natural feelings, lies an remarkable journey waiting to be embarked upon. Penned by way of a virtuoso wordsmith, this enchanting opus manuals readers on a mental odyssey, delicately exposing the latent potential and profound impact stuck within the elaborate internet of language. Within the heart-wrenching expanse with this evocative analysis, we can embark upon an introspective exploration of the book is central themes, dissect their charming writing model, and immerse ourselves in the indelible impression it leaves upon the depths of readers souls.

https://py.bijouxmedusa.com/public/virtual-library/fetch.php/Crypto_Trading_Best_Practices_For_Entrepreneurs_91_2207_Crypto_Trading.pdf

Table of Contents Interfacing 16x2 Lcd With 8051 Microcontroller Lcd Module

1. Understanding the eBook Interfacing 16x2 Lcd With 8051 Microcontroller Lcd Module
 - The Rise of Digital Reading Interfacing 16x2 Lcd With 8051 Microcontroller Lcd Module
 - Advantages of eBooks Over Traditional Books
2. Identifying Interfacing 16x2 Lcd With 8051 Microcontroller Lcd Module
 - Exploring Different Genres
 - Considering Fiction vs. Non-Fiction
 - Determining Your Reading Goals
3. Choosing the Right eBook Platform
 - Popular eBook Platforms
 - Features to Look for in an Interfacing 16x2 Lcd With 8051 Microcontroller Lcd Module
 - User-Friendly Interface

4. Exploring eBook Recommendations from Interfacing 16x2 Lcd With 8051 Microcontroller Lcd Module
 - Personalized Recommendations
 - Interfacing 16x2 Lcd With 8051 Microcontroller Lcd Module User Reviews and Ratings
 - Interfacing 16x2 Lcd With 8051 Microcontroller Lcd Module and Bestseller Lists
5. Accessing Interfacing 16x2 Lcd With 8051 Microcontroller Lcd Module Free and Paid eBooks
 - Interfacing 16x2 Lcd With 8051 Microcontroller Lcd Module Public Domain eBooks
 - Interfacing 16x2 Lcd With 8051 Microcontroller Lcd Module eBook Subscription Services
 - Interfacing 16x2 Lcd With 8051 Microcontroller Lcd Module Budget-Friendly Options
6. Navigating Interfacing 16x2 Lcd With 8051 Microcontroller Lcd Module eBook Formats
 - ePub, PDF, MOBI, and More
 - Interfacing 16x2 Lcd With 8051 Microcontroller Lcd Module Compatibility with Devices
 - Interfacing 16x2 Lcd With 8051 Microcontroller Lcd Module Enhanced eBook Features
7. Enhancing Your Reading Experience
 - Adjustable Fonts and Text Sizes of Interfacing 16x2 Lcd With 8051 Microcontroller Lcd Module
 - Highlighting and Note-Taking Interfacing 16x2 Lcd With 8051 Microcontroller Lcd Module
 - Interactive Elements Interfacing 16x2 Lcd With 8051 Microcontroller Lcd Module
8. Staying Engaged with Interfacing 16x2 Lcd With 8051 Microcontroller Lcd Module
 - Joining Online Reading Communities
 - Participating in Virtual Book Clubs
 - Following Authors and Publishers Interfacing 16x2 Lcd With 8051 Microcontroller Lcd Module
9. Balancing eBooks and Physical Books Interfacing 16x2 Lcd With 8051 Microcontroller Lcd Module
 - Benefits of a Digital Library
 - Creating a Diverse Reading Collection Interfacing 16x2 Lcd With 8051 Microcontroller Lcd Module
10. Overcoming Reading Challenges
 - Dealing with Digital Eye Strain
 - Minimizing Distractions
 - Managing Screen Time
11. Cultivating a Reading Routine Interfacing 16x2 Lcd With 8051 Microcontroller Lcd Module
 - Setting Reading Goals Interfacing 16x2 Lcd With 8051 Microcontroller Lcd Module
 - Carving Out Dedicated Reading Time

12. Sourcing Reliable Information of Interfacing 16x2 Lcd With 8051 Microcontroller Lcd Module
 - Fact-Checking eBook Content of Interfacing 16x2 Lcd With 8051 Microcontroller Lcd Module
 - Distinguishing Credible Sources
13. Promoting Lifelong Learning
 - Utilizing eBooks for Skill Development
 - Exploring Educational eBooks
14. Embracing eBook Trends
 - Integration of Multimedia Elements
 - Interactive and Gamified eBooks

Interfacing 16x2 Lcd With 8051 Microcontroller Lcd Module Introduction

In this digital age, the convenience of accessing information at our fingertips has become a necessity. Whether its research papers, eBooks, or user manuals, PDF files have become the preferred format for sharing and reading documents. However, the cost associated with purchasing PDF files can sometimes be a barrier for many individuals and organizations. Thankfully, there are numerous websites and platforms that allow users to download free PDF files legally. In this article, we will explore some of the best platforms to download free PDFs. One of the most popular platforms to download free PDF files is Project Gutenberg. This online library offers over 60,000 free eBooks that are in the public domain. From classic literature to historical documents, Project Gutenberg provides a wide range of PDF files that can be downloaded and enjoyed on various devices. The website is user-friendly and allows users to search for specific titles or browse through different categories. Another reliable platform for downloading Interfacing 16x2 Lcd With 8051 Microcontroller Lcd Module free PDF files is Open Library. With its vast collection of over 1 million eBooks, Open Library has something for every reader. The website offers a seamless experience by providing options to borrow or download PDF files. Users simply need to create a free account to access this treasure trove of knowledge. Open Library also allows users to contribute by uploading and sharing their own PDF files, making it a collaborative platform for book enthusiasts. For those interested in academic resources, there are websites dedicated to providing free PDFs of research papers and scientific articles. One such website is Academia.edu, which allows researchers and scholars to share their work with a global audience. Users can download PDF files of research papers, theses, and dissertations covering a wide range of subjects. Academia.edu also provides a platform for discussions and networking within the academic community. When it comes to downloading Interfacing 16x2 Lcd With 8051 Microcontroller Lcd Module free PDF files of magazines, brochures, and catalogs, Issuu is a popular choice. This digital publishing platform hosts a vast collection of publications from around the world. Users can search for specific titles or

explore various categories and genres. Issuu offers a seamless reading experience with its user-friendly interface and allows users to download PDF files for offline reading. Apart from dedicated platforms, search engines also play a crucial role in finding free PDF files. Google, for instance, has an advanced search feature that allows users to filter results by file type. By specifying the file type as "PDF," users can find websites that offer free PDF downloads on a specific topic. While downloading Interfacing 16x2 Lcd With 8051 Microcontroller Lcd Module free PDF files is convenient, it's important to note that copyright laws must be respected. Always ensure that the PDF files you download are legally available for free. Many authors and publishers voluntarily provide free PDF versions of their work, but it's essential to be cautious and verify the authenticity of the source before downloading Interfacing 16x2 Lcd With 8051 Microcontroller Lcd Module. In conclusion, the internet offers numerous platforms and websites that allow users to download free PDF files legally. Whether it's classic literature, research papers, or magazines, there is something for everyone. The platforms mentioned in this article, such as Project Gutenberg, Open Library, Academia.edu, and Issuu, provide access to a vast collection of PDF files. However, users should always be cautious and verify the legality of the source before downloading Interfacing 16x2 Lcd With 8051 Microcontroller Lcd Module any PDF files. With these platforms, the world of PDF downloads is just a click away.

FAQs About Interfacing 16x2 Lcd With 8051 Microcontroller Lcd Module Books

How do I know which eBook platform is the best for me? Finding the best eBook platform depends on your reading preferences and device compatibility. Research different platforms, read user reviews, and explore their features before making a choice. Are free eBooks of good quality? Yes, many reputable platforms offer high-quality free eBooks, including classics and public domain works. However, make sure to verify the source to ensure the eBook's credibility. Can I read eBooks without an eReader? Absolutely! Most eBook platforms offer web-based readers or mobile apps that allow you to read eBooks on your computer, tablet, or smartphone. How do I avoid digital eye strain while reading eBooks? To prevent digital eye strain, take regular breaks, adjust the font size and background color, and ensure proper lighting while reading eBooks. What's the advantage of interactive eBooks? Interactive eBooks incorporate multimedia elements, quizzes, and activities, enhancing the reader engagement and providing a more immersive learning experience. Interfacing 16x2 Lcd With 8051 Microcontroller Lcd Module is one of the best books in our library for free trial. We provide a copy of Interfacing 16x2 Lcd With 8051 Microcontroller Lcd Module in digital format, so the resources that you find are reliable. There are also many eBooks of related topics with Interfacing 16x2 Lcd With 8051 Microcontroller Lcd Module. Where to download Interfacing 16x2 Lcd With 8051 Microcontroller Lcd Module online for free? Are you looking for Interfacing 16x2 Lcd With 8051 Microcontroller Lcd Module PDF? This is definitely going to save you time and cash in something you should think about.

Find Interfacing 16x2 Lcd With 8051 Microcontroller Lcd Module :

[crypto trading best practices for entrepreneurs 91-2207 crypto trading](#)

[United States 91-1515 crypto investing software for creators 91-1245](#)

[91-2396 AI tools comparison USA 91-2731 AI tools comparison for startups](#)

[dropshipping business comparison for entrepreneurs 91-1682 dropshipping](#)

[learning basics case study United States 91-1035 machine learning basics](#)

[for small business 91-2847 NFT marketplace strategies for startups](#)

[tips USA 91-396 career growth tips for creators 91-272 career growth](#)

[91-2222 wearable technology blueprint for startups 91-498 wearable](#)

[United States 91-2069 online business guide for small business 91-2565](#)

[entrepreneurs 91-523 online privacy blueprint for small business 91-945](#)

[passive income ideas blueprint for creators 91-1176 passive income ideas](#)

[91-154 electric vehicles ideas United States 91-101 electric vehicles](#)

[startups 91-898 productivity hacks explained America 91-1072](#)

[home organization best practices America 91-1286 home organization best](#)

[marketing tools for startups 91-2170 content marketing tools for](#)

Interfacing 16x2 Lcd With 8051 Microcontroller Lcd Module :

[beyond the station lies the sea new york public library](#) - May 01 2022

web browse borrow and enjoy titles from the new york public library digital collection

[beyond the station lies the sea jutta richter google books](#) - Jun 14 2023

web an arresting tale for readers young and old beyond the station lies the sea is a terrific addition to jutta richter s beloved body of work weaving together the spare symbolism of fable and the

[beyond the station lies the sea kirkus reviews](#) - Mar 11 2023

web in this outwardly simple story two homeless children niner and cosmos long to escape the hard city streets and find the sea cosmos dreams of selling cold drinks there niner has recently fled increasingly savage beatings at the hands of his mother s boyfriend who may have killed her his dreams of the sea are shot through with his

[beyond the station lies the sea by jutta richter goodreads](#) - Aug 16 2023

web once they ve set out niner takes a turn for the worse and cosmos realizes he needs that guardian angel back to save his

friend an arresting tale for young readers beyond the station lies the sea is a terrific addition to an already beloved body of work

[beyond the station lies the sea milkweed editions](#) - Oct 06 2022

web cosmos and niner dream of going to the sea where it s always summer and to do that they need to raise money cosmos knows a woman who might be able to help them when she asks them to exchange something precious for the money niner and cosmos agree to trade her the most valuable thing either of them possesses niner s guardian angel

beyond the station lies the sea by jutta richter open library - Feb 10 2023

web beyond the station lies the sea by jutta richter 2009 milkweed editions edition in english 1st ed

beyond the station lies the sea richter jutta 1955 free - Jul 15 2023

web aug 17 2021 english 1 v unpagged 21 cm trying to get to the beach where it is warm two homeless boys enlist the aid of a rich woman who gives them money in exchange for a guardian angel notes obscured text on back cover due to sticker attached access restricted item true addeddate 2021 08 17 12 01 04 associated names brailovsky anna

beyond the station lies the sea by jutta richter publishers - Nov 07 2022

web beyond the station lies the sea jutta richter trans from the german by anna brailovsky milkweed 14 81pp isbn 978 1 57131 690 5

beyond the station lies the sea bookscouter com - Jan 29 2022

web once they ve set out niner takes a turn for the worse and cosmos realizes he needs that guardian angel back to save his friend an arresting tale for young readers beyond the station lies the sea is a terrific addition to an already beloved body of work

[beyond the station lies the sea ebook by jutta richter hoopla](#) - Jul 03 2022

web read beyond the station lies the sea by jutta richter for free on hoopla from a celebrated author comes a tale of adventure suspense and friendship cosmos and niner have hoopladigital com

beyond the station lies the sea by jutta richter scribd - Apr 12 2023

web read beyond the station lies the sea by jutta richter with a free trial read millions of ebooks and audiobooks on the web ipad iphone and android

beyond the station lies the sea alibris - Mar 31 2022

web buy beyond the station lies the sea by jutta richter anna brailovsky translator online at alibris we have new and used copies available in 1 editions starting at 3 44 shop now

beyond the station lies the sea by jutta richter is available in - Feb 27 2022

web back to beyond the station lies the sea find a digital library with beyond the station lies the sea near you search by city

zip code or library name search learn more about precise location detection showing public libraries k 12 schools library name distance show all our apps libby sora kanopy help markets served

beyond the station lies the sea overdrive - Jan 09 2023

web dec 28 2011 once they ve set out niner takes a turn for the worse and cosmos realizes he needs that guardian angel back to save his friend an arresting tale for readers young and old beyond the station lies the sea is a terrific addition to

beyond the station lies the sea page 1 read free from internet - Dec 28 2021

web to the sea maybe off we go and it smells like sun and wind off we go and it smells like fish and tar and brine off we go and the swallows are seagulls we turn the corner there s the station and beyond the station we know for sure beyond the station lies the sea there are good days too

beyond the station lies the sea amazon com - May 13 2023

web sep 15 2009 it s not such a bad life they think but they dream of going to the sea where it s always summer and to do that they need to raise money cosmos knows a woman who might be able to help them

beyond the station lies the sea google play - Dec 08 2022

web beyond the station lies the sea ebook written by jutta richter read this book using google play books app on your pc android ios devices download for offline reading highlight bookmark or

beyond the station lies the sea richter jutta 9781571316905 - Sep 05 2022

web beyond the station lies the sea by richter jutta at abebooks co uk isbn 10 1571316906 isbn 13 9781571316905 milkweed editions 2009 hardcover

beyond the station lies the sea by jutta richter ebook - Aug 04 2022

web from a celebrated author comes a tale of adventure suspense and friendship cosmos and niner have adapted to their life on the street but they decide to set out on a journey to the beach where they can enjoy the summer weather year round their plan has one hitch they need money to make the trip when a potential patron asks what the pair might be willing

beyond the station lies the sea hardcover barnes noble - Jun 02 2022

web sep 15 2009 beyond the station lies the sea 96 by jutta richter anna brailovsky translator editorial reviews read an excerpt of this book add to wishlist kids club eligible beyond the station lies the sea 96 by jutta richter anna brailovsky translator editorial

beginners level free trumpet sheet music 8notes com - Oct 23 2023

web trumpet trombone duet 2 trumpets trombone free i beginners level i free trumpet sheet music sheet music pieces to download from 8notes com

beginner trumpet lesson 1 opening the case youtube - Mar 16 2023

web sep 19 2017 in our first lesson we ll learn how to properly open the trumpet case it s important and learn what you ll likely see inside your trumpet case have fun and keep practicing

17 easy trumpet songs for beginners music industry how to - May 06 2022

web feb 9 2022 in this guide we look at numerous easy trumpet songs for beginners some are indeed simple some admittedly are a little more on the aspirational side but either way the following should serve as solid inspiration on your learning journey

free sheet music trumpet beginner very easy download - Jun 07 2022

web brass quintet 2 trumpets 1 horn 1 trombone 1 tuba beginner 1 pdf 1 mp3 midi

learn to play the trumpet beginner to pro made the easy way - Jan 14 2023

web assemble and care for a trumpet read and interpret music notation perform multiple major scales form a correct strong trumpet embouchure play dozens of popular melodies and songs recognize and play nearly every note on the trumpet

trumpet course yamaha singapore - Apr 05 2022

web join us at our trumpet course designed mainly for adults and youths learn the basic techniques through our course syllabus our qualified teachers will guide you through a musical journey with our wide repertoire of different music genres even if you are a beginner with no prior background in music

50 easy trumpet songs for beginners indie panda - Aug 21 2023

web 50 easy trumpet songs for beginners 1 happy birthday traditional happy birthday is a great and short song to learn how to play it s also super useful 2 cool blues david bruce learning cool blues by david bruce is an excellent opportunity to learn a blues scale that 3 la cucaracha

grade 1 trumpet international school of musicians - Sep 22 2023

web grade 1 trumpet welcome to step 2 trumpet this music book contains the repertoire and syllabus information for step 2 trumpet including the sheet music to help you prepare for your examination

trumpet level 1 online music course for beginner musicians - Oct 11 2022

web about course there s nothing like the bright tone of the trumpet with its adaptability to put distinctive sound into all genres of music you ll learn to make the trumpet ring with its characteristic tone and range

how to play the trumpet beginning lesson on making a tone - Aug 09 2022

web oct 29 2009 2 7m views 14 years ago from etrumpetlessons com this sample trumpet lesson covers the very first steps in playing the trumpet starting with how to hold the trumpet set the embouchure

beginners level free trumpet sheet music 8notes com - Sep 10 2022

web trumpet trio free i beginners level i free trumpet sheet music sheet music pieces to download from 8notes com

grade 1 trumpet sight reading sightreadingmastery - Feb 15 2023

web grade 1 is the first trumpet level in sightreadingmastery it is actually for the family of instruments made up of trumpet bb cornet eb soprano cornet and flugelhorn exercises in grade 1 are approachable because they re restricted to simple time 4 4 3 4 2 4 and are only 4 6 bars long

learn to play the trumpet beginner to pro made the easy way - Dec 13 2022

web assemble and care for a trumpet read and interpret music notation perform multiple major scales form a correct strong trumpet embouchure play dozens of popular melodies and songs recognize and play nearly every note on the trumpet

free trumpet sheet music lessons resources 8notes com - Jul 08 2022

web ragtime for trumpet baroque music for trumpet civil rights music for trumpet sea shanties for trumpet music of world war 1 for trumpet gilbert sullivan for trumpet scouting songs for trumpet summer music for trumpet trumpet pieces by women

5 easy songs on trumpet for beginners youtube - Jul 20 2023

web apr 25 2021 today i m presenting 5 very easy songs on trumpet with notes sheet music on the screen you can play with me also on clarinet tenor sax

lesson 1 how to play the trumpet for total beginners - May 18 2023

web sep 1 2020 here s the first trumpet lesson you need when you re learning how to play the trumpet this video covers 1 09 trumpet mouthpiece basics1 54 buzzing on the

9 easy trumpet songs for beginners trumpethub com - Jun 19 2023

web 9 easy trumpet songs for beginners summertime by george gershwin summertime is certainly a classic and a fun piece to play if you re looking for simple jurassic park theme by john williams if you re into film music you ll already know john williams he s a real legend the force theme

9 of the best trumpets for beginners in 2023 hello music theory - Mar 04 2022

web jan 3 2023 quick answer the best beginner trumpets preview our favorite budget choice name bach tr300h2 student trumpet lacquer yamaha ytr 2330 student bb trumpet gold lacquer jean paul tr 330 student bb trumpet brass lacquered etude etr 100 series student bb trumpet lacquer rating reviews prime

beginner trumpet sheet music virtual sheet music - Nov 12 2022

web top beginner trumpet sheet music the terrific very easy collection part i in special and unique arrangements for trumpet solo meeting the level of beginner players offers pdf sheet music files with audio midi and mp3 files

beginner trumpet series first three notes e f g youtube - Apr 17 2023

web sep 8 2020 beginner trumpet series first three notes e f g in this video beginner trumpet students learn how to play the

first three notes on the instrument e f and g more

[la truffe et les truffia res artificielles pdf uniport edu](#) - Jan 29 2022

web jun 21 2023 kindly say the la truffe et les truffia res artificielles is universally compatible with any devices to read into the war italo calvino 2014 these three stories set during the summer of 1940 draw on italo calvino s memories of his own adolescence during the second world war too young to be forced to

[la truffe et les truffia res artificielles jmsseniiorliving com](#) - Sep 05 2022

web la truffe et les truffia res artificielles downloaded from jmsseniiorliving com by guest gonzalez precious dictionnaire d étymologie française d après les reslutats de la science moderne paris fontemoing uno straordinario viaggio attraverso le truffe e le imposture più singolari e

[la truffe et les truffi res artificielles goodreads](#) - Jul 15 2023

web la truffe et les truffi res artificielles book read reviews from world s largest community for readers c est le propre des questions a la fois scientif

[la truffe et les truffières artificielles by jules émile planchon](#) - Jun 14 2023

web la truffe et les truffières artificielles by jules émile planchon online book library mongo beti et la confrontation role et importance des c est le propre des questions à la fois scientifiques et populaires de montrer à l œuvre d un côté la science avec ses méthodes patientes et précises de l autre la fantaisie

la truffe et les truffia res artificielles - Feb 27 2022

web la truffe et les truffia res artificielles 2019 08 29 tessa yaretzi 2 la truffe et les truffia res artificielles 2019 08 29 jean louis flandrin esquisse ici une véritable histoire du goût et de la fantaisie culinaire qui permet d éclairer la gastronomie d aujourd hui recettes et tours de mains pratiques et usages du

9781508706854 la truffe et les truffières artificielles french - Nov 07 2022

web abebooks com la truffe et les truffières artificielles french edition 9781508706854 by planchon jules Émile and a great selection of similar new used and collectible books available now at great prices

[truffle house la marsa facebook](#) - Mar 31 2022

web nous sommes le premier labo de truffe en tunisie et ce depuis fin 2019 tous nos produits truffle house la marsa 5 971 likes 6 talking about this nous sommes le premier labo de truffe en tunisie et ce depuis fin 2019 tous nos produits sont conç

[la truffe et les truffia res artificielles uniport edu](#) - Dec 08 2022

web jul 15 2023 la truffe et les truffia res artificielles 2 11 downloaded from uniport edu ng on july 15 2023 by guest this brief will appeal to researchers and practitioners in evidence based policing and police decision making as well as those interested in alternatives to arrest and related fields such as public policy

[la truffe et les truffia res artificielles wrbb neu edu](#) - Feb 10 2023

web la truffe et les truffia res artificielles 2021 08 20 shaniya kaitlyn title la truffe et les truffia res artificielles wrbb neu edu
author shaniya kaitlyn created date 6 30 2023 12 28 34 am

[la maison de la truffe galleries lafayette haussmann](#) - May 01 2022

web pour un plat à base de truffe il faut compter entre 8 et 12 grammes de truffe par personne et pour des œufs aux truffes il faut prévoir 3 ou 4 grammes de truffes par œuf spécialités au delà des truffes fraîches et en conserve l'épicerie de la maison de la truffe est une vraie découverte bonbons de chocolat à la truffe

truffes folies restaurants de truffe à paris traiteur - Jun 02 2022

web découvrez truffes folies restaurants traiteur Épicerie autour de la truffe dans le 7^e et le 8^e à paris 37 rue malar 75007 paris 33 1 44 18 05 41 48 rue de berri 75008 paris très tôt il se passionne pour les truffes et leur potentiel gustatif tuber melanosporum truffe blanche du piémont tuber estivum d été

la truffe et les truffières artificielles french edition abebooks - Jan 09 2023

web abebooks com la truffe et les truffières artificielles french edition 9781544198125 by planchon jules Émile and a great selection of similar new used and collectible books available now at great prices

[la truffe et les truffia res artificielles](#) - Mar 11 2023

web la truffe et les truffia res artificielles downloaded from doblespacio uchile cl by guest giovanna kline l imposteur macmillan publishing company otto witte il clown tedesco che per tre giorni fu re d albania victor lustig l uomo che vendette la

la truffe et les truffières artificielles jstor - Aug 16 2023

web comme le miellat des feuilles ou la sanie des plaies des branches entraînée par la pluie dans le sol y provoquerait une fermentation particulière dont les truffes seraient le produit cette hypothèse émise par pline à propos de champignons en général l a été pour les truffes en particulier par un auteur que cite ciccarelli et qu il

la truffe et les truffières artificielles planchon jules Émile - Oct 06 2022

web la truffe et les truffières artificielles de planchon jules Émile sur abebooks fr isbn 10 1544198124 isbn 13 9781544198125 createspace independent publishing platform 2017 couverture souple

[la truffe truffle and truffe](#) - Jul 03 2022

web la truffe passionnés par ce merveilleux champignon la truffe nous avons pensé vous faire partager son mystère mystère qui trouve pour partie son origine dans les éléments qui permettent et favorisent son développement et sa fructification

la truffe et les truffia res artificielles - Aug 04 2022

web la truffe et les truffia res artificielles 1 la truffe et les truffia res artificielles la truffe et les truffia res artificielles

downloaded from sql1 viewber co uk by guest yaretzi tessa best sellers books the complete summer i turned pretty trilogy boxed set the summer i turned pretty it s not summer without you we ll always

la truffe et les truffia res artificielles - Dec 28 2021

web la truffe et les truffia res artificielles when people should go to the book stores search establishment by shop shelf by shelf it is in reality problematic previously currently we extend the colleague to buy and create bargains to download and install la truffe et les truffia res artificielles thus simple a history of celibacy

la truffe et les truffia res artificielles - May 13 2023

web la truffe et les truffia res artificielles 1 la truffe et les truffia res artificielles doblespacio uchile cl author cervantes phelps subject les champignons de la province de nice et principalement les espèces comestibles created date

la truffe et les truffia res artificielles pdf full pdf black ortax - Apr 12 2023

web introduction la truffe et les truffia res artificielles pdf full pdf a splendor of letters nicholas a basbanes 2004 11 02 in a splendor of letters nicholas a basbanes continues the lively richly anecdotal exploration of book people