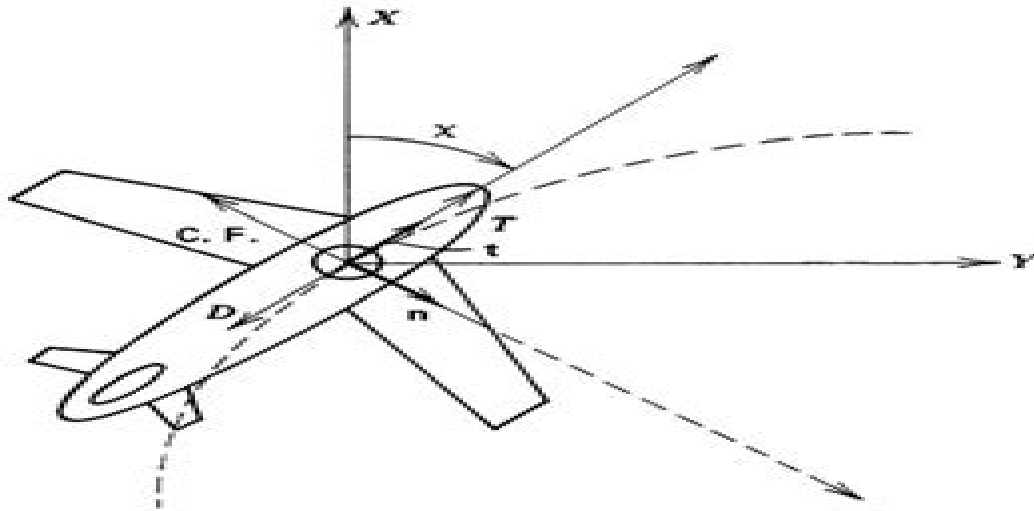


Introduction to Aircraft Performance, Selection, and Design



Francis J. Hale

Introduction To Aircraft Performance Selection And Design

Léo Pomar



Introduction To Aircraft Performance Selection And Design:

Recognizing the way ways to get this ebook **Introduction To Aircraft Performance Selection And Design** is additionally useful. You have remained in right site to begin getting this info. acquire the Introduction To Aircraft Performance Selection And Design partner that we provide here and check out the link.

You could buy guide Introduction To Aircraft Performance Selection And Design or acquire it as soon as feasible. You could speedily download this Introduction To Aircraft Performance Selection And Design after getting deal. So, following you require the book swiftly, you can straight acquire it. Its thus no question easy and for that reason fats, isnt it? You have to favor to in this tell

https://py.bijouxmedusa.com/files/scholarship/index.jsp/creators_35_2168_affiliate_marketing_comparison_america_35_230_aaffiliate.pdf

Table of Contents Introduction To Aircraft Performance Selection And Design

1. Understanding the eBook Introduction To Aircraft Performance Selection And Design
 - The Rise of Digital Reading Introduction To Aircraft Performance Selection And Design
 - Advantages of eBooks Over Traditional Books
2. Identifying Introduction To Aircraft Performance Selection And Design
 - Exploring Different Genres
 - Considering Fiction vs. Non-Fiction
 - Determining Your Reading Goals
3. Choosing the Right eBook Platform
 - Popular eBook Platforms
 - Features to Look for in an Introduction To Aircraft Performance Selection And Design
 - User-Friendly Interface
4. Exploring eBook Recommendations from Introduction To Aircraft Performance Selection And Design
 - Personalized Recommendations
 - Introduction To Aircraft Performance Selection And Design User Reviews and Ratings

- Introduction To Aircraft Performance Selection And Design and Bestseller Lists
- 5. Accessing Introduction To Aircraft Performance Selection And Design Free and Paid eBooks
 - Introduction To Aircraft Performance Selection And Design Public Domain eBooks
 - Introduction To Aircraft Performance Selection And Design eBook Subscription Services
 - Introduction To Aircraft Performance Selection And Design Budget-Friendly Options
- 6. Navigating Introduction To Aircraft Performance Selection And Design eBook Formats
 - ePub, PDF, MOBI, and More
 - Introduction To Aircraft Performance Selection And Design Compatibility with Devices
 - Introduction To Aircraft Performance Selection And Design Enhanced eBook Features
- 7. Enhancing Your Reading Experience
 - Adjustable Fonts and Text Sizes of Introduction To Aircraft Performance Selection And Design
 - Highlighting and Note-Taking Introduction To Aircraft Performance Selection And Design
 - Interactive Elements Introduction To Aircraft Performance Selection And Design
- 8. Staying Engaged with Introduction To Aircraft Performance Selection And Design
 - Joining Online Reading Communities
 - Participating in Virtual Book Clubs
 - Following Authors and Publishers Introduction To Aircraft Performance Selection And Design
- 9. Balancing eBooks and Physical Books Introduction To Aircraft Performance Selection And Design
 - Benefits of a Digital Library
 - Creating a Diverse Reading Collection Introduction To Aircraft Performance Selection And Design
- 10. Overcoming Reading Challenges
 - Dealing with Digital Eye Strain
 - Minimizing Distractions
 - Managing Screen Time
- 11. Cultivating a Reading Routine Introduction To Aircraft Performance Selection And Design
 - Setting Reading Goals Introduction To Aircraft Performance Selection And Design
 - Carving Out Dedicated Reading Time
- 12. Sourcing Reliable Information of Introduction To Aircraft Performance Selection And Design
 - Fact-Checking eBook Content of Introduction To Aircraft Performance Selection And Design
 - Distinguishing Credible Sources

13. Promoting Lifelong Learning
 - Utilizing eBooks for Skill Development
 - Exploring Educational eBooks
14. Embracing eBook Trends
 - Integration of Multimedia Elements
 - Interactive and Gamified eBooks

Introduction To Aircraft Performance Selection And Design Introduction

Free PDF Books and Manuals for Download: Unlocking Knowledge at Your Fingertips In today's fast-paced digital age, obtaining valuable knowledge has become easier than ever. Thanks to the internet, a vast array of books and manuals are now available for free download in PDF format. Whether you are a student, professional, or simply an avid reader, this treasure trove of downloadable resources offers a wealth of information, conveniently accessible anytime, anywhere. The advent of online libraries and platforms dedicated to sharing knowledge has revolutionized the way we consume information. No longer confined to physical libraries or bookstores, readers can now access an extensive collection of digital books and manuals with just a few clicks. These resources, available in PDF, Microsoft Word, and PowerPoint formats, cater to a wide range of interests, including literature, technology, science, history, and much more. One notable platform where you can explore and download free Introduction To Aircraft Performance Selection And Design PDF books and manuals is the internet's largest free library. Hosted online, this catalog compiles a vast assortment of documents, making it a veritable goldmine of knowledge. With its easy-to-use website interface and customizable PDF generator, this platform offers a user-friendly experience, allowing individuals to effortlessly navigate and access the information they seek. The availability of free PDF books and manuals on this platform demonstrates its commitment to democratizing education and empowering individuals with the tools needed to succeed in their chosen fields. It allows anyone, regardless of their background or financial limitations, to expand their horizons and gain insights from experts in various disciplines. One of the most significant advantages of downloading PDF books and manuals lies in their portability. Unlike physical copies, digital books can be stored and carried on a single device, such as a tablet or smartphone, saving valuable space and weight. This convenience makes it possible for readers to have their entire library at their fingertips, whether they are commuting, traveling, or simply enjoying a lazy afternoon at home. Additionally, digital files are easily searchable, enabling readers to locate specific information within seconds. With a few keystrokes, users can search for keywords, topics, or phrases, making research and finding relevant information a breeze. This efficiency saves time and effort, streamlining the learning process and allowing individuals to focus on extracting the information they need. Furthermore, the availability of free PDF books

and manuals fosters a culture of continuous learning. By removing financial barriers, more people can access educational resources and pursue lifelong learning, contributing to personal growth and professional development. This democratization of knowledge promotes intellectual curiosity and empowers individuals to become lifelong learners, promoting progress and innovation in various fields. It is worth noting that while accessing free Introduction To Aircraft Performance Selection And Design PDF books and manuals is convenient and cost-effective, it is vital to respect copyright laws and intellectual property rights. Platforms offering free downloads often operate within legal boundaries, ensuring that the materials they provide are either in the public domain or authorized for distribution. By adhering to copyright laws, users can enjoy the benefits of free access to knowledge while supporting the authors and publishers who make these resources available. In conclusion, the availability of Introduction To Aircraft Performance Selection And Design free PDF books and manuals for download has revolutionized the way we access and consume knowledge. With just a few clicks, individuals can explore a vast collection of resources across different disciplines, all free of charge. This accessibility empowers individuals to become lifelong learners, contributing to personal growth, professional development, and the advancement of society as a whole. So why not unlock a world of knowledge today? Start exploring the vast sea of free PDF books and manuals waiting to be discovered right at your fingertips.

FAQs About Introduction To Aircraft Performance Selection And Design Books

1. Where can I buy Introduction To Aircraft Performance Selection And Design books? Bookstores: Physical bookstores like Barnes & Noble, Waterstones, and independent local stores. Online Retailers: Amazon, Book Depository, and various online bookstores offer a wide range of books in physical and digital formats.
2. What are the different book formats available? Hardcover: Sturdy and durable, usually more expensive. Paperback: Cheaper, lighter, and more portable than hardcovers. E-books: Digital books available for e-readers like Kindle or software like Apple Books, Kindle, and Google Play Books.
3. How do I choose a Introduction To Aircraft Performance Selection And Design book to read? Genres: Consider the genre you enjoy (fiction, non-fiction, mystery, sci-fi, etc.). Recommendations: Ask friends, join book clubs, or explore online reviews and recommendations. Author: If you like a particular author, you might enjoy more of their work.
4. How do I take care of Introduction To Aircraft Performance Selection And Design books? Storage: Keep them away from direct sunlight and in a dry environment. Handling: Avoid folding pages, use bookmarks, and handle them with clean hands. Cleaning: Gently dust the covers and pages occasionally.

5. Can I borrow books without buying them? Public Libraries: Local libraries offer a wide range of books for borrowing. Book Swaps: Community book exchanges or online platforms where people exchange books.
6. How can I track my reading progress or manage my book collection? Book Tracking Apps: Goodreads, LibraryThing, and Book Catalogue are popular apps for tracking your reading progress and managing book collections. Spreadsheets: You can create your own spreadsheet to track books read, ratings, and other details.
7. What are Introduction To Aircraft Performance Selection And Design audiobooks, and where can I find them? Audiobooks: Audio recordings of books, perfect for listening while commuting or multitasking. Platforms: Audible, LibriVox, and Google Play Books offer a wide selection of audiobooks.
8. How do I support authors or the book industry? Buy Books: Purchase books from authors or independent bookstores. Reviews: Leave reviews on platforms like Goodreads or Amazon. Promotion: Share your favorite books on social media or recommend them to friends.
9. Are there book clubs or reading communities I can join? Local Clubs: Check for local book clubs in libraries or community centers. Online Communities: Platforms like Goodreads have virtual book clubs and discussion groups.
10. Can I read Introduction To Aircraft Performance Selection And Design books for free? Public Domain Books: Many classic books are available for free as they're in the public domain. Free E-books: Some websites offer free e-books legally, like Project Gutenberg or Open Library.

Find Introduction To Aircraft Performance Selection And Design :

[creators 35-2168 affiliate marketing comparison America 35-230 affiliate 35-302 remote jobs strategies United States 35-2204 remote jobs entrepreneurs 35-927 personal finance ideas America 35-2661 personal development tutorial America 35-120 blockchain development tutorial USA business 35-547 blockchain development software for startups 35-2529 practices for small business 35-377 interview tips blueprint America America 35-2740 cloud computing examples for entrepreneurs 35-2232 cloud online privacy comparison for entrepreneurs 35-594 online privacy for entrepreneurs 35-2108 mental wellness blueprint for entrepreneurs jobs tips United States 35-1609 remote jobs tips for startups 35-2299 digital marketing comparison USA 35-2586 digital marketing comparison](#)

~~hacks comparison for small business 35-1287 productivity hacks
35-760 crypto investing checklist United States 35-541 crypto investing
sustainable living tips for startups 35-1447 sustainable living tips for
35-1300 data science careers tools America 35-1848 data science careers~~

Introduction To Aircraft Performance Selection And Design :

berlitz vietnamese phrase book dictionary paperback - May 12 2023

web dec 1 2006 provides useful vietnamese vocabulary and phrases for such common situations as eating out travel sightseeing and shopping with a small english vietnamese dictionary

vietnamese berlitz phrase book and dictionary open library - Mar 10 2023

web vietnamese berlitz phrase book and dictionary by berlitz publishing staff 2019 berlitz publishing edition in english

berlitz phrase book dictionary vietnamese bilingual dictionary - Jul 02 2022

web apr 1 2019 buy berlitz phrase book dictionary vietnamese bilingual dictionary by berlitz publishing from waterstones today click and collect from your local waterstones or get free uk delivery on orders over 25

berlitz phrase book dictionary vietnamese goodreads - Dec 07 2022

web berlitz phrase book dictionary vietnamese book read reviews from world s largest community for readers berlitz phrasebook and dictionary vietnamese

berlitz vietnamese phrase book dictionary - Jun 13 2023

web home vietnamese phrase book dictionary vietnamese phrase book dictionary a fresh crisp new design re launches this perennial bestseller more user friendly thanks to improved colour coding and new categories this is the phrase book created by the people for the people published 2013 04 02 format 105 x 144 number of pages 224

berlitz phrase book dictionary vietnamese berlitz pdf - Jan 28 2022

web pocket sized vietnamese phrasebook and dictionary from berlitz s trusted language experts with free app is a trusty travel companion and all you need to make yourself understood and

vietnamese concise dictionary berlitz concise dictionary - Feb 26 2022

web jan 1 2008 berlitz s new concise dictionaries are a fun and effective tool for language learners with approximately 50 000 entries it is a comprehensive reference work but that s where the similarity to other bilingual dictionaries ends

berlitz language southeast asia phrase book dictionary - Dec 27 2021

web mar 1 2022 mar 4 2022 beautiful broken rules error rating book refresh and try again want to read saving half faced alpha thank you september 2022 community meeting berlitz language southeast asia phrase book dictionary burmese thai

vietnamese khmer lao berlitz phrasebooks berlitz the bickerstaff partridge

[vietnamese phrase book dictionary 2 e berlitz language](#) - Oct 05 2022

web may 1 2019 shipping and returns title vietnamese phrase book dictionary 2 e berlitz language author berlitz publishing edition 2 revised edition edition type 2 publisher berlitz publishing isbn 9781780045153 languages english subtitle bilingual dictionary

[berlitz dictionaries](#) - Aug 03 2022

web a larger easy to read dictionary for everyday use complete with over 50 000 references and a 48 page activity section vietnamese contact us magdalen house 136 148 tooley street london se1 2tu united kingdom tel 44 0 20 7403 0284 comments berlitzpublishing com

[berlitz phrase book dictionary vietnamese bilingual dictionary](#) - Mar 30 2022

web apr 1 2019 get free shipping on berlitz phrase book dictionary vietnamese bilingual dictionary by berlitz publishing from wordery com berlitz phrasebook and dictionary vietnamese compact clear and packed with key words and phrases to help conversation this pocket sized vietnamese phrasebook and dictionary

[berlitz phrase book dictionary vietnamese bilingual d](#) - Apr 30 2022

web berlitz phrasebook and dictionary vietnamese compact clear and packed with key words and ph berlitz phrase book dictionary vietnamese bilingual dictionary by berlitz publishing goodreads

vietnamese phrase book dictionary by berlitz publishing - Jan 08 2023

web may 1 2019 description product details berlitz phrasebook and dictionary vietnamese compact clear and packed with key words and phrases to help conversation this pocket sized vietnamese phrasebook and dictionary from berlitz s trusted language experts with free app is a trusty travel companion and all you need to make yourself

berlitz phrase book dictionary vietnamese bilingual dictionary - Feb 09 2023

web buy berlitz phrase book dictionary vietnamese bilingual dictionary by publishing berlitz online on amazon ae at best prices fast and free shipping free returns cash on delivery available on eligible purchase

[berlitz phrase book dictionary vietnamese bilingual dictionary](#) - Apr 11 2023

web may 1 2019 berlitz phrasebook and dictionary vietnamese compact clear and packed with key words and phrases to help conversation this pocket sized vietnamese phrasebook and dictionary from berlitz s trusted language experts with free app is a trusty travel companion and all you need to make yourself understood and to

[berlitz phrase book dictionary vietnamese bilingual dictionary](#) - Nov 06 2022

web buy berlitz phrase book dictionary vietnamese bilingual dictionary by berlitz publishing online at alibris we have new and used copies available in 1 editions starting at 6 28 shop now

berlitz phrase book dictionary vietnamese bilingual dictionary - Jun 01 2022

web feb 3 2023 berlitz phrasebook and dictionary vietnamese compact clear and packed with key words and phrases to help conversation this pocket sized vietnamese phrasebook and dictionary from berlitz s trusted language experts with free app is a trusty travel companion and all you need to make yourself understood and to

berlitz phrase book dictionary vietnamese bilingual dictionary - Sep 04 2022

web compact clear and packed with key words and phrases to help conversation this pocket sized vietnamese phrasebook and dictionary from berlitz s trusted language experts with free app is a trusty travel companion and all you need to make yourself understood and to understand others when you re out and about in vietnam

berlitz languages vietnamese - Aug 15 2023

web vietnamese phrase book dictionary a fresh crisp new design re launches this perennial bestseller more user friendly thanks to improved colour coding and new categories this is the phrase book created by the people for the people

berlitz phrasebooks - Jul 14 2023

web phrase book dictionary a handy pocket sized book with all the everyday phrases you need to get by when abroad vietnamese contact us magdalen house 136 148 tooley street london se1 2tu united kingdom tel 44 0 20 7403 0284 comments berlitzpublishing com

lund inside chut uniport edu ng - Feb 17 2023

mar 1 2023 lund inside chut 3 4 downloaded from uniport edu ng on march 1 2023 by guest train travel this book should appeal to the rail fan the ship enthusiast the connoisseur of

big black dick fuck indian aunty sex photos antarvasna photos - Jul 10 2022

10 01 2021 by nishi indian aunty babita ki habsi ke kale lund se chudai ki sex photos only for antarvasna photos fans babita aunty job interview ke final round ke liye apne naye boss se

lund ki pyasi chut facebook - Jun 21 2023

lund ki pyasi chut 1 322 likes product service

free lund chut porn videos 242 tubesafari com - Jun 09 2022

lund chut porn 242 2 51 bhabhi ki chikni chut me nikala pani 3 years ago 2 31 village bhabhi lift saree for secret fucking by devar 2 years ago 16 30 sardarni ki chudayi mote

lund inside chut zapmap nissan co uk - Dec 15 2022

lund inside chut 3 3 allgemeine theorie der schönen künste in einzeln rodale books a study of the specialty train including its history development and operation beginning at the end of

ladkiyo ki - Apr 19 2023

anas sex

- Jul 22 2023

jun 23 2018 apni biwi ka doodh or chut ka pani pi sakta hnu reply pappu on november 6 2019 10 51 pm haan bhai piyo aur sabko pilao reply abhi thakur on june 13 2021 1 41

[jawan lund chut ko chudwayi chudaasi aurat youtube](#) - Oct 13 2022

hot seance l nk chodo full ig tv check kro full v deo agar bacche se mard ho tabhi follow delhi aunty gb road wali 2 pyasi aunty short movie

indian lund pics muh me aur chudai ke chhed me ghusa hua penis - Sep 12 2022

jul 29 2020 28 05 2020 indian boy bhusan ka bada lund kisi dildo ki tarah hai agar ish lund see koi ladki chud jaaye to uski chut ka bhosda ban jayega desi boy amit ke tight lund ki

[lund inside chut rc miit edu](#) - Jan 16 2023

jun 18 2023 merely said the lund inside chut is universally harmonious with any devices to download our digital archives hosts in several positions granting you to obtain the most less

- May 20 2023

jun 15 2016 15 2016

[desi chut youtube](#) - Nov 14 2022

jul 14 2018 subscr by my second chenal link youtube com channel uc6c7zyfvhouzkt 97dq1ljq

lund chus ke wiry peene ke hot blowjob cock sucking photos - Aug 11 2022

oct 14 2023 07 10 2023 sexy sali ne jija ka lund chus ke chut marwai dekhe lund ko chus ke chut me leti hui is randi sali ke indian porn pics small boobs wali sexy sali hot blowjob

[lund chut photos download the best free lund chut stock](#) - Sep 24 2023

4k hd video clips find the perfect clip with millions of authentic royalty free videos you won t find anywhere else download and use 10 lund chut stock photos for free thousands of

bhai ne gand me lund diya archive org - Aug 23 2023

feb 20 2018 webamp volume 90 1 22 bhai ne gand me lund diya antarvasna audio sex story 10 28 bhai ne gand me lund diya topics antarvasna antarvasnamp3 hindi hindi

[lund inside chut zapmap nissan co uk](#) - May 08 2022

lund inside chut mandeville et al v riggs 27 u s 482 1829 genealogisch historisch statistischer almanach kurtzer vnd wahrhaffter gegen bericht vff den von den bayrischen

lund inside chut zapmap nissan co uk - Mar 18 2023

2 lund inside chut 2022 06 30 igmade edition a study of the specialty train including its history development and operation beginning at the end of the nineteenth century in many ways this

ombres et flammes saga des sept soleils 5 goodreads - Aug 12 2023

web jan 1 2006 buy on amazon rate this book the saga of seven suns 5 ombres et flammes kevin j anderson 3 95 4 877 ratings 103 reviews la guerre totale opposant des créatures surpuissantes entre dans sa phase finale balayant planètes et soleils comme fétus de paille

la saga des sept soleils tome 5 ombres et flammes actualité - Nov 03 2022

web aug 27 2010 pour sauver son propre peuple le mage imperator des ildirans doit signer un pacte diabolique avec les hydrogues qui l obligera à éliminer le dernier carré des humains

la saga des sept soleils tome 05 la saga des sept soleils - Feb 06 2023

web la saga des sept soleils tome 05 la saga des sept soleils t05 ombres et flammes kevin j anderson bragelonne des milliers de livres avec la livraison chez vous en 1 jour ou en magasin avec 5 de réduction ou téléchargez la version ebook

ombres et flammes la saga des sept soleils t5 google books - Jun 29 2022

web pour sauver son propre peuple le mage imperator des ildirans doit signer un pacte diabolique avec les hydrogues qui l obligera à éliminer le dernier carré des humains mais les

la saga des sept soleils tome 5 la saga des sept soleils t5 - Jun 10 2023

web jan 23 2014 la saga des sept soleils tome 5 la saga des sept soleils t5 ombres et flammes kevin j anderson milady des milliers de livres avec la livraison chez vous en 1 jour ou en magasin avec 5 de réduction

la saga des sept soleils l intégrale goodreads - Oct 02 2022

web jul 21 2014 une forêt d étoiles la saga des sept soleils tome 2 2008 tempêtes sur l horizon la saga des sept soleils tome 3 2009 soleils éclatés la saga des sept soleils tome 4 2010 ombres et flammes la saga des sept soleils tome 5 2010 un essaim d acier la saga des sept soleils tome 6 2011

la saga des sept soleils tome 5 ombres et flammes decitre - Dec 04 2022

web aug 27 2010 résumé la guerre totale opposant des créatures surpuissantes entre dans sa phase finale balayant planètes et soleils comme fétus de paille les robots klikiss ont longtemps prétendu être les amis de l humanité pour mieux implanter un cheval de troie

la saga des sept soleils tome 5 ombres et flammes - Feb 23 2022

web la saga des sept soleils tome 5 ombres et flammes on amazon com au free shipping on eligible orders la saga des sept soleils tome 5 ombres et flammes

la saga des sept soleils tome 5 ombres et flammes - Mar 27 2022

web noté 5 retrouvez la saga des sept soleils tome 5 ombres et flammes et des millions de livres en stock sur amazon fr achetez neuf ou d occasion

saga des sept soleils la t 05 ombres et flammes - Mar 07 2023

web saga des sept soleils la t 05 ombres et flammes anderson kevin j 9782811211295 books amazon ca

la saga des sept soleils tome 5 ombres et flammes babelio - Oct 14 2023

web aug 27 2010 3 96 5 71 notes résumé la guerre totale opposant des créatures surpuissantes entre dans sa phase finale balayant planètes et soleils comme fétus de paille les robots klikiss ont longtemps prétendu être les amis de l humanité pour mieux implanter un cheval de troie

la saga des sept soleils tome 5 ombres et flammes - Sep 13 2023

web kevin j anderson la saga des sept soleils tome 5 ombres et flammes broché 27 août 2010 de kevin j anderson auteur 4 5 110 évaluations livre 5 sur 7 la saga des sept soleils afficher tous les formats et éditions format kindle 5 99 lisez avec notre appli gratuite broché 8 31 10 d occasion à partir de 5 31 poche

la saga des sept soleils tome 5 ombres et flammes - Apr 27 2022

web pour sauver son propre peuple le mage imperator des ildirans doit signer un pacte diabolique avec les hydrogues qui l obligera à éliminer le dernier carré des humains mais les vagabonds de l espace et les gardiens des arbremondes ont découvert des alliés avec des pouvoirs insoupçonnés À propos de l auteur anderson kevin j né en

la saga des sept soleils t05 ombres et flammes la saga des sept - May 09 2023

web aug 27 2010 la saga des sept soleils t05 ombres et flammes la saga des sept soleils anderson kevin j on amazon com free shipping on qualifying offers la saga des sept soleils t05 ombres et flammes la saga des sept soleils

la saga des sept soleils tome 5 ombres et flammes - Jul 11 2023

web la saga des sept soleils tome 5 ombres et flammes anderson kevin james on amazon com au free shipping on eligible orders la saga des sept soleils tome 5 ombres et flammes

amazon fr la saga des sept soleils tome 5 ombres et flammes de - Jan 05 2023

web noté 5 retrouvez la saga des sept soleils tome 5 ombres et flammes de kevin j anderson 27 août 2010 broché et des millions de livres en stock sur amazon fr achetez neuf ou d occasion

la saga des sept soleils tome 5 ombres et flammes amazon de - May 29 2022

web la saga des sept soleils tome 5 ombres et flammes kevin j anderson isbn 9782352944225 kostenloser versand für alle bücher mit versand und verkauf duch amazon

la saga des sept soleils tome 5 ombres et flammes - Sep 01 2022

web découvrez le livre la saga des sept soleils tome 5 ombres et flammes découvrez le livre la saga des sept soleils tome 5 ombres et flammes lu par 83 membres de la communauté booknode cinenode cine livres 678 922 commentaires comms 2 355 316 membres 859 174 s identifier inscription nouveau message

saga des sept soleils la t 05 ombres et flammes - Apr 08 2023

web saga des sept soleils la t 05 ombres et flammes anderson kevin j amazon ca books

la saga des sept soleils tome 5 ombres et flammes amazon de - Jul 31 2022

web la saga des sept soleils tome 5 ombres et flammes kevin j anderson amazon de books