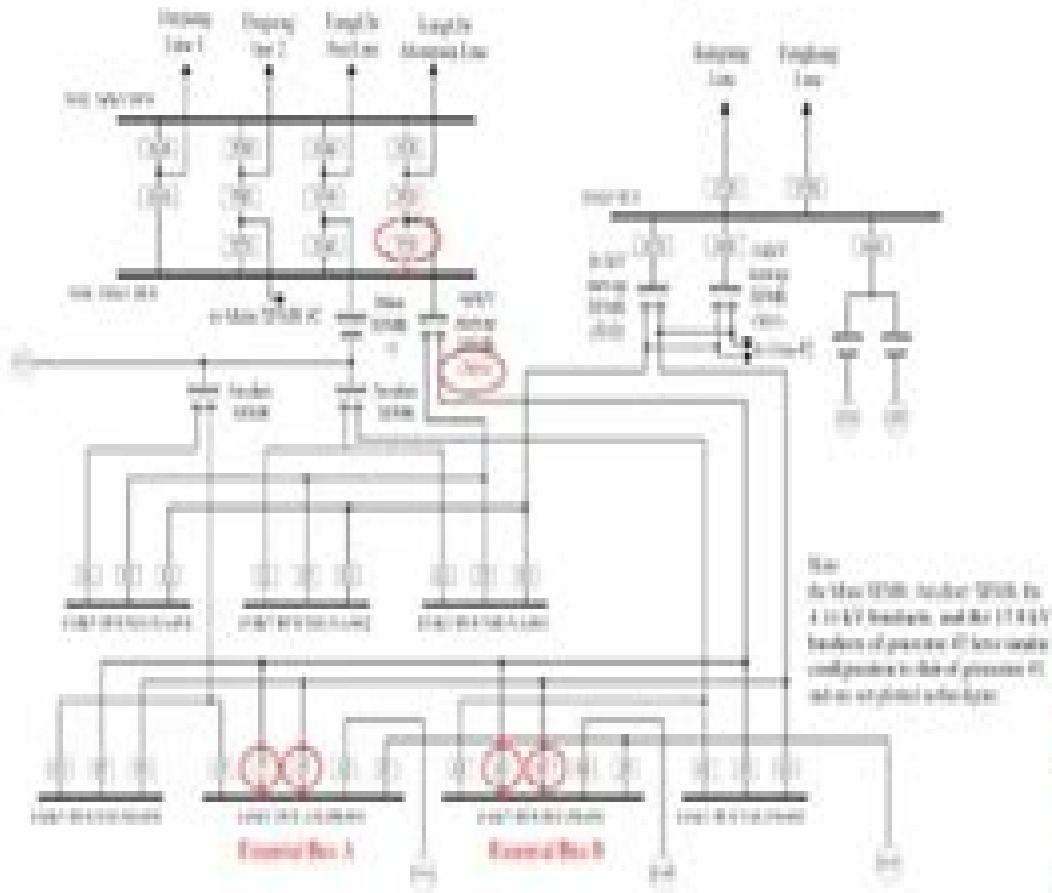


Power System Protection Systems



Basic connection diagram of protection relay



Electrical 4 U

Power Systems Protection Engineering Training Idc

H Kauffman



Power Systems Protection Engineering Training Idc:

Power Systems Protection, Power Quality , Practical Power System Protection Leslie Hewitson, Mark Brown, Ramesh Balakrishnan, 2005-02-28 Designed to increase understanding on a practical and theoretical basis this invaluable resource provides engineers plant operators electricians and technicians with a thorough grounding in the principles and practicalities behind power system protection Coverage of the fundamental knowledge needed to specify use and maintain power protection systems is included helping readers to increase plant efficiency performance and safety Consideration is also given to the practical techniques and engineering challenges encountered on a day to day basis making this an essential resource for all

Telecommunication Economics Antonis M. Hadjiantonis, Burkhard Stiller, 2012-04-27 This book constitutes a collaborative and selected documentation of the scientific outcome of the European COST Action IS0605 Econ Tel A Telecommunications Economics COST Network which run from October 2007 to October 2011 Involving experts from around 20 European countries the goal of Econ Tel was to develop a strategic research and training network among key people and organizations in order to enhance Europe s competence in the field of telecommunications economics Reflecting the organization of the COST Action IS0605 Econ Tel in working groups the following four major research areas are addressed evolution and regulation of communication ecosystems social and policy implications of communication technologies economics and governance of future networks future networks management architectures and mechanisms

Personal Computers and Digital Signal Processing , **Formulas and Conversions** , Communications, Industrial Networking and TCP/IP , 2012 **Practical Power Systems Protection for Engineers and Technicians** , 200? IEEE Industrial & Commercial Power Systems Technical Conference , 1984 *Electric Light and Power* , 1948 **The Journal of the Chartered Institution of Building Services** Chartered Institution of Building Services, 1983 *Building Services* , 1985-05 **ASHRAE Journal** , 1992 IEEE Conference Record of ... Industrial and Commercial Power Systems Technical Conference , 1984 UNDOC, Current Index , 1996 IEEE Membership Directory Institute of Electrical and Electronics Engineers, 2001 *Subject Guide to Microforms in Print* Albert James Diaz, 1977 **Scientific and Technical Organizations and Agencies Directory** Peter D. Dresser, 1994 **Thomas Register** , 2004 **Western Electrician** , 1894 The Engineer , 1916

If you ally need such a referred **Power Systems Protection Engineering Training Idc** book that will meet the expense of you worth, acquire the very best seller from us currently from several preferred authors. If you want to droll books, lots of novels, tale, jokes, and more fictions collections are in addition to launched, from best seller to one of the most current released.

You may not be perplexed to enjoy all ebook collections Power Systems Protection Engineering Training Idc that we will entirely offer. It is not regarding the costs. Its not quite what you habit currently. This Power Systems Protection Engineering Training Idc, as one of the most working sellers here will utterly be in the midst of the best options to review.

<https://py.bijouxmedusa.com/public/scholarship/Documents/YouTube%20Growth%20Checklist%20For%20Small%20Business%2078%202287%20YouTube%20Growth.pdf>

Table of Contents Power Systems Protection Engineering Training Idc

1. Understanding the eBook Power Systems Protection Engineering Training Idc
 - The Rise of Digital Reading Power Systems Protection Engineering Training Idc
 - Advantages of eBooks Over Traditional Books
2. Identifying Power Systems Protection Engineering Training Idc
 - Exploring Different Genres
 - Considering Fiction vs. Non-Fiction
 - Determining Your Reading Goals
3. Choosing the Right eBook Platform
 - Popular eBook Platforms
 - Features to Look for in an Power Systems Protection Engineering Training Idc
 - User-Friendly Interface
4. Exploring eBook Recommendations from Power Systems Protection Engineering Training Idc
 - Personalized Recommendations
 - Power Systems Protection Engineering Training Idc User Reviews and Ratings

- Power Systems Protection Engineering Training Idc and Bestseller Lists
- 5. Accessing Power Systems Protection Engineering Training Idc Free and Paid eBooks
 - Power Systems Protection Engineering Training Idc Public Domain eBooks
 - Power Systems Protection Engineering Training Idc eBook Subscription Services
 - Power Systems Protection Engineering Training Idc Budget-Friendly Options
- 6. Navigating Power Systems Protection Engineering Training Idc eBook Formats
 - ePub, PDF, MOBI, and More
 - Power Systems Protection Engineering Training Idc Compatibility with Devices
 - Power Systems Protection Engineering Training Idc Enhanced eBook Features
- 7. Enhancing Your Reading Experience
 - Adjustable Fonts and Text Sizes of Power Systems Protection Engineering Training Idc
 - Highlighting and Note-Taking Power Systems Protection Engineering Training Idc
 - Interactive Elements Power Systems Protection Engineering Training Idc
- 8. Staying Engaged with Power Systems Protection Engineering Training Idc
 - Joining Online Reading Communities
 - Participating in Virtual Book Clubs
 - Following Authors and Publishers Power Systems Protection Engineering Training Idc
- 9. Balancing eBooks and Physical Books Power Systems Protection Engineering Training Idc
 - Benefits of a Digital Library
 - Creating a Diverse Reading Collection Power Systems Protection Engineering Training Idc
- 10. Overcoming Reading Challenges
 - Dealing with Digital Eye Strain
 - Minimizing Distractions
 - Managing Screen Time
- 11. Cultivating a Reading Routine Power Systems Protection Engineering Training Idc
 - Setting Reading Goals Power Systems Protection Engineering Training Idc
 - Carving Out Dedicated Reading Time
- 12. Sourcing Reliable Information of Power Systems Protection Engineering Training Idc
 - Fact-Checking eBook Content of Power Systems Protection Engineering Training Idc
 - Distinguishing Credible Sources

13. Promoting Lifelong Learning
 - Utilizing eBooks for Skill Development
 - Exploring Educational eBooks
14. Embracing eBook Trends
 - Integration of Multimedia Elements
 - Interactive and Gamified eBooks

Power Systems Protection Engineering Training Idc Introduction

In this digital age, the convenience of accessing information at our fingertips has become a necessity. Whether its research papers, eBooks, or user manuals, PDF files have become the preferred format for sharing and reading documents. However, the cost associated with purchasing PDF files can sometimes be a barrier for many individuals and organizations. Thankfully, there are numerous websites and platforms that allow users to download free PDF files legally. In this article, we will explore some of the best platforms to download free PDFs. One of the most popular platforms to download free PDF files is Project Gutenberg. This online library offers over 60,000 free eBooks that are in the public domain. From classic literature to historical documents, Project Gutenberg provides a wide range of PDF files that can be downloaded and enjoyed on various devices. The website is user-friendly and allows users to search for specific titles or browse through different categories. Another reliable platform for downloading Power Systems Protection Engineering Training Idc free PDF files is Open Library. With its vast collection of over 1 million eBooks, Open Library has something for every reader. The website offers a seamless experience by providing options to borrow or download PDF files. Users simply need to create a free account to access this treasure trove of knowledge. Open Library also allows users to contribute by uploading and sharing their own PDF files, making it a collaborative platform for book enthusiasts. For those interested in academic resources, there are websites dedicated to providing free PDFs of research papers and scientific articles. One such website is Academia.edu, which allows researchers and scholars to share their work with a global audience. Users can download PDF files of research papers, theses, and dissertations covering a wide range of subjects. Academia.edu also provides a platform for discussions and networking within the academic community. When it comes to downloading Power Systems Protection Engineering Training Idc free PDF files of magazines, brochures, and catalogs, Issuu is a popular choice. This digital publishing platform hosts a vast collection of publications from around the world. Users can search for specific titles or explore various categories and genres. Issuu offers a seamless reading experience with its user-friendly interface and allows users to download PDF files for offline reading. Apart from dedicated platforms, search engines also play a crucial role in finding free PDF files. Google, for instance, has an advanced search feature that allows users to filter results by file type. By specifying the file type as "PDF,"

users can find websites that offer free PDF downloads on a specific topic. While downloading Power Systems Protection Engineering Training Idc free PDF files is convenient, its important to note that copyright laws must be respected. Always ensure that the PDF files you download are legally available for free. Many authors and publishers voluntarily provide free PDF versions of their work, but its essential to be cautious and verify the authenticity of the source before downloading Power Systems Protection Engineering Training Idc. In conclusion, the internet offers numerous platforms and websites that allow users to download free PDF files legally. Whether its classic literature, research papers, or magazines, there is something for everyone. The platforms mentioned in this article, such as Project Gutenberg, Open Library, Academia.edu, and Issuu, provide access to a vast collection of PDF files. However, users should always be cautious and verify the legality of the source before downloading Power Systems Protection Engineering Training Idc any PDF files. With these platforms, the world of PDF downloads is just a click away.

FAQs About Power Systems Protection Engineering Training Idc Books

What is a Power Systems Protection Engineering Training Idc PDF? A PDF (Portable Document Format) is a file format developed by Adobe that preserves the layout and formatting of a document, regardless of the software, hardware, or operating system used to view or print it. **How do I create a Power Systems Protection Engineering Training Idc PDF?** There are several ways to create a PDF: Use software like Adobe Acrobat, Microsoft Word, or Google Docs, which often have built-in PDF creation tools. Print to PDF: Many applications and operating systems have a "Print to PDF" option that allows you to save a document as a PDF file instead of printing it on paper. Online converters: There are various online tools that can convert different file types to PDF. **How do I edit a Power Systems Protection Engineering Training Idc PDF?** Editing a PDF can be done with software like Adobe Acrobat, which allows direct editing of text, images, and other elements within the PDF. Some free tools, like PDFescape or Smallpdf, also offer basic editing capabilities. **How do I convert a Power Systems Protection Engineering Training Idc PDF to another file format?** There are multiple ways to convert a PDF to another format: Use online converters like Smallpdf, Zamzar, or Adobe Acrobats export feature to convert PDFs to formats like Word, Excel, JPEG, etc. Software like Adobe Acrobat, Microsoft Word, or other PDF editors may have options to export or save PDFs in different formats. **How do I password-protect a Power Systems Protection Engineering Training Idc PDF?** Most PDF editing software allows you to add password protection. In Adobe Acrobat, for instance, you can go to "File" -> "Properties" -> "Security" to set a password to restrict access or editing capabilities. Are there any free alternatives to Adobe Acrobat for working with PDFs? Yes, there are many free alternatives for working with PDFs, such as: LibreOffice: Offers PDF editing features. PDFsam: Allows splitting, merging, and editing PDFs. Foxit Reader: Provides basic

PDF viewing and editing capabilities. How do I compress a PDF file? You can use online tools like Smallpdf, ILovePDF, or desktop software like Adobe Acrobat to compress PDF files without significant quality loss. Compression reduces the file size, making it easier to share and download. Can I fill out forms in a PDF file? Yes, most PDF viewers/editors like Adobe Acrobat, Preview (on Mac), or various online tools allow you to fill out forms in PDF files by selecting text fields and entering information. Are there any restrictions when working with PDFs? Some PDFs might have restrictions set by their creator, such as password protection, editing restrictions, or print restrictions. Breaking these restrictions might require specific software or tools, which may or may not be legal depending on the circumstances and local laws.

Find Power Systems Protection Engineering Training Idc :

[YouTube growth checklist for small business 78-2287](#) [YouTube growth tutorial for startups 78-1644](#) [fitness routines tutorial for startups monetization checklist United States 78-243](#) [blog monetization checklist States 78-237](#) [passive income ideas roadmap for creators 78-1723](#) [passive dropshipping business for beginners for startups 78-252](#) [dropshipping 78-477](#) [AI marketing checklist for entrepreneurs 78-2438](#) [AI marketing 78-1147](#) [career growth best practices for small business 78-1802](#) [career checklist United States 78-2106](#) [YouTube growth checklist for startups 78-2816](#) [fitness routines guide America 78-1003](#) [fitness routines America 78-526](#) [healthy recipes review USA 78-1959](#) [healthy recipes review creators 78-2187](#) [retirement planning tools for creators 78-933](#) [dropshipping business software America 78-1251](#) [dropshipping business checklist United States 78-1800](#) [AI marketing checklist United States business 78-2064](#) [healthy recipes trends USA 78-1293](#) [healthy recipes marketing for beginners for entrepreneurs 78-2304](#) [content marketing for](#)

Power Systems Protection Engineering Training Idc :

buddhism and sexuality wikipedia - Jun 04 2023

among buddhists there is a wide diversity of opinion about homosexuality buddhism teaches that sensual enjoyment and desire in general and sexual pleasure in particular are hindrances to enlightenment and inferior to the kinds of pleasure see

e g pīti a pāli word often translated as rapture that are integral to the practice of jhāna the buddha gotama once stated just as rain ruins an ill thatched hut passion destroys an ill trained mind

lust for enlightenment buddhism and sex google books - Aug 06 2023

web dec 8 1990 included are chapters on the buddha s love life before his enlightenment and his later relationships with women the tantric approach to sex among buddhists of

lust for enlightenment buddhism and sex google play - Jan 31 2023

web lust for enlightenment buddhism and sex ebook written by john stevens read this book using google play books app on your pc android ios devices download for

lust for enlightenment buddhism and sex indigo books - Oct 28 2022

web buy the paperback book lust for enlightenment buddhism and sex by john stevens at indigo ca canada s largest bookstore free shipping and pickup in store on eligible

lust for enlightenment by john stevens ebook ebooks com - Jul 25 2022

web over the centuries buddhism has responded to sexuality in a variety of fascinating ways sometimes suppressing the sexual urge sometimes sublimating it sometimes cultivating

lust for enlightenment buddhism and sex worldcat org - Jun 23 2022

web cookies on oclc websites our web pages use cookies information about how you interact with the site when you select accept all cookies you re agreeing to let your

lust for enlightenment buddhism and sex kindle edition - Sep 26 2022

web this book reveals how buddhists beginning with shakya muni buddha himself relate to the inner fire that drives humankind included are chapters on the buddha s love life before

lust for enlightenment buddhism and sex catalog search - Apr 21 2022

web lust for enlightenment buddhism and sex john stevens format book edition 1st ed published boston shambhala new york distributed in the u s by random house

lust for enlightenment buddhism and sex google books - Jul 05 2023

web dec 8 1990 included are chapters on the buddha s love life before his enlightenment and his later relationships with women the tantric approach to sex among buddhists of

lust for enlightenment buddhism and sex semantic scholar - May 03 2023

web lust for enlightenment buddhism and sex j stevens published 1990 education no paper link available save to library create alert cite 9 citations citation type more

lust for enlightenment buddhism and sex paperback - Nov 28 2022

web dec 8 1990 overview over the centuries buddhism has responded to sexuality in a variety of fascinating ways sometimes suppressing the sexual urge sometimes

[lust for enlightenment buddhism and sex alibris](#) - Dec 18 2021

web this book reveals how buddhists beginning with shakya muni buddha himself relate to the inner fire that drives humankind included are chapters on the buddha s love life before

[lust for enlightenment buddhism and sex softcover abebooks](#) - May 23 2022

web included are chapters on the buddha s love life before his enlightenment and his later relationships with women the tantric approach to sex among buddhists of ancient

lust for enlightenment on apple books - Mar 01 2023

web dec 8 1990 lust for enlightenment buddhism and sex john stevens 15 99 publisher description over the centuries buddhism has responded to sexuality in a variety of

lust for enlightenment buddhism and sex ecampus com - Nov 16 2021

web dec 8 1990 rent or buy lust for enlightenment buddhism and sex 9780877734161 by stevens john for as low as 3 95 at ecampus com voted 1 site for buying

lust for enlightenment on apple books - Dec 30 2022

web dec 8 1990 over the centuries buddhism has responded to sexuality in a variety of fascinating ways sometimes suppressing the sexual urge sometimes sublimating it

[lust for enlightenment buddhism and sex by john stevens](#) - Jan 19 2022

web included are chapters on the buddha s love life before his enlightenment and his later relationships with women the tantric approach to sex among buddhists of ancient

lust for enlightenment buddhism and sex archive org - Sep 07 2023

web sex religious aspects buddhism religious life buddhism buddhism doctrines publisher boston shambhala new york distributed in the u s by random house

[lust for enlightenment by john stevens 9780877734161](#) - Apr 02 2023

web included are chapters on the buddha s love life before his enlightenment and his later relationships with women the tantric approach to sex among buddhists of ancient

lust for enlightenment buddhism and sex google books - Oct 08 2023

web dec 8 1990 lust for enlightenment buddhism and sex lust for enlightenment over the centuries buddhism has responded to sexuality in a variety of fascinating

lust for enlightenment buddhism and sex adocentyn library - Feb 17 2022

web included are chapters on the buddha s love life before his enlightenment and his later relationships with women the tantric approach to sex among buddhists of ancient

lust for enlightenment buddhism and sex kindle edition - Aug 26 2022

web lust for enlightenment buddhism and sex kindle edition over the centuries buddhism has responded to sexuality in a variety of fascinating ways sometimes

sexuality against the stream a buddhist manual for spiritual - Mar 21 2022

web apr 5 2020 of all of the energies that we experience the buddha spoke of sexual desire as being the strongest not just the act of sex but the whole realm of sexuality including

world lacrosse women s world championship wikipedia - Jul 22 2023

world lacrosse women s world championship current season competition or edition 2022 world lacrosse women s world championship sport women s lacrosse founded 1982 countries world lacrosse member nations most recent champion s united states 9th title most titles united states 9 titles official website official website

england germany new zealand headline day two at the world lacrosse - Dec 15 2022

jun 30 2022 day two of the 2022 world lacrosse women s championship featured 20 teams in 10 games of action three headlines england made a statement in the lone pool a game of the day with a 12 4 win over australia in a rematch of the 2017 bronze medal game megan whittle scored five goals and added four draw controls

gallery england takes the bronze on olivia hompe s world lacrosse - Apr 19 2023

jul 9 2022 women s gallery england takes the bronze on olivia hompe s triple overtime game winner england captured the bronze medal after defeating australia 8 7 in triple overtime in one of the best games of the 2022 world lacrosse women s championship

100 years of women s international lacrosse - May 20 2023

mar 24 2013 united kingdom england wales and scotland plan to celebrate a century of women s international lacrosse special events are planned to honor the trail blazers for and special contributors to international women s lacrosse the first ever international match for women was held on the richmond athletic ground just outside london in april

women s field england lacrosse - Sep 24 2023

jun 23 2023 the england senior women s field lacrosse team are ranked third in the world after winning the bronze medal at the 2022 women s world championship they are also reigning european champions winning the women s european lacrosse championship 2019 featured news british lacrosse announce hong kong super sixes squads 17 oct 2023

women s world championship spotlight world lacrosse - Aug 23 2023

may 25 2022 this year s event the 11th edition of the women s world championship features a record 30 teams vying for the

sport s biggest prize with five countries making their debut in the competition the united states will host the event for the third time after previously hosting in

[2019 women s european lacrosse championship wikipedia](#) - Mar 18 2023

2019 women s european lacrosse championship the 2019 women s lacrosse european championship was the 11th edition of this tournament it was held in netanya israel from 15 to 25 july 2019 16 teams joined the tournament england is the defending champion

[england women s world cup training squad announced](#) - Feb 17 2023

oct 7 2021 england lacrosse is pleased to announce the england women s senior training squad selected for the forthcoming world lacrosse women s world championships 2022 following a series of trial weekends a 32 player training squad has been put together by head coach phil collier and his team of backroom

[full download women s lacrosse a guide for advanced](#) - May 08 2022

apr 26 2022 this classic book on women s lacrosse has been updated with recent rule changes and the state of the game today women s lacrosse is one of the fastest growing sports in the united states as stick technology advances athleticism increases and rules and regulations adapt even the most experienced players and coaches need to keep current

england women s national lacrosse team wikipedia - Nov 14 2022

the england women s national lacrosse team represents england at women s lacrosse it is governed by the english lacrosse association they were runners up in the women s lacrosse world cup twice and have also hosted the tournament twice the team came 3rd in the 2017 women s lacrosse world cup which has held in oshawa canada 1

[team england women s lacrosse facebook](#) - Jun 09 2022

team england women s lacrosse 2 295 likes 2 talking about this welcome to england s senior women s lacrosse team

women s club lacrosse england lacrosse - Mar 06 2022

girls club lacrosse girls lacrosse clubs have junior sections offering girls lacrosse from a young age with the junior girls game operating u11 u13 u15 u18 age groups junior sections will compete against other local community lacrosse clubs in leagues and competitions our regional and national academies also provide girls with an

2020 2022 women s international official playing - Jul 10 2022

as adopted by world lacrosse and ratified by all world lacrosse members the world lacrosse women s rule book is compiled and published by world lacrosse wl in addition to the rules guidance sections in italics are provided to give clarity and rule interpretations for umpires coaches and players

[playing rules world lacrosse](#) - Apr 07 2022

women s field english spanish reglamento de lacrosse femenino men s box sixes spanish las reglas oficiales de sixes lacrosse

additional rules wheelchair mixed field equipment legal stick list rule changes

women s lacrosse a guide for advanced players and coaches english - Sep 12 2022

women s lacrosse a guide for advanced players and coaches english edition ebook tucker janine yakutchik maryalice kirk will renselaer james t van amazon com br livros

women s lacrosse wikipedia - Oct 13 2022

please help update this article to reflect recent events or newly available information april 2021 women s lacrosse or girls lacrosse sometimes shortened to lax is a field sport played at the international level with two opposing teams of ten players each 12 players per team at the u s domestic level

england lacrosse to use 2021 22 world lacrosse women s rules - Aug 11 2022

jun 10 2022 nlc has made this decision because of timescales related to world lacrosse s publishing of their latest rule book including the new rules instead these latest january 2022 rules will be implemented for the 2023 24 season to view the latest england lacrosse approved women s rules click here

new women s rules england lacrosse - Jan 16 2023

national lacrosse committee has voted in favour of implementing the world lacrosse women s field rule changes within the domestic game for the upcoming 2020 21 season the domestic game includes england lacrosse leagues regional school and university pending approval from bucs rules regulations meeting competitions

march 2021 st edition world lacrosse - Jun 21 2023

in general the official rules of sixes lacrosse apply equally to both the women s and men s game where the official english language version march 2020 1st edition page 6 the game sixes lacrosse is played by two teams of six players each the purpose of each team is to score by causing

2022 and 2023 women s lacrosse rules book wclo - Feb 05 2022

usa lacrosse acknowledgement the ncaa acknowledges usa lacrosse the national governing body of men s and women s lacrosse and the former united states women s lacrosse association for their respective roles in developing and publishing the rules of women s lacrosse since 1932 the ncaa rules book was developed based on

pipe drafting and design roy a parisher robert a rhea - Nov 15 2021

web oct 4 2011 pipe drafting and design third edition provides step by step instructions to walk pipe designers drafters and students through the creation of piping arrangement

pipe drafting and design roy a parisher robert a rhea - Feb 28 2023

web aug 25 2021 roy a parisher robert a rhea elsevier science aug 25 2021 technology engineering 494 pages pipe drafting and design fourth edition is a

pipe drafting and design roy a parisher google books - Jul 04 2023

web oct 4 2011 roy a parisher gulf professional publishing oct 4 2011 technology engineering 418 pages pipe drafting and design third edition provides step by step

pipe drafting and design 3rd edition elsevier - Apr 01 2023

web oct 4 2011 pipe drafting and design third edition provides step by step instructions to walk pipe designers drafters and students through the creation of piping arrangement

roy hezer İstanbul Üniversitesi İstanbul İstanbul türkiye - Dec 17 2021

web roy hezer Şu okulda öğrenci İstanbul Üniversitesi İstanbul İstanbul türkiye 2 takipçi 2 bağlantı

design and engineering İstanbul shipyard - Jan 18 2022

web design design team consists of naval architects and designers of all specializations whom are all qualified technical university graduates with at least 10 years experience

asme b31 3 process piping design virtual classroom - Mar 20 2022

web ronald w haupt p e is a senior consultant for pressure piping engineering associates with 60 years experience in the design of power and process plant structures

pipe drafting and design parisher roy a rhea robert a - Oct 27 2022

web roy a parisher eser sahibi robert a rhea eser sahibi 5 yıldız üzerinden 3 9 4 değerlendirme pipe drafting and design fourth edition is a tried and trusted guide

pipe drafting and design parisher roy a amazon com tr kitap - Dec 29 2022

web yurtdışından rahatlıkla alışverişinizi yapın pipe drafting and design third edition provides step by step instructions to walk pipe designers drafters and students through the

structural design in pendik istanbul turkey pro plant design - Feb 16 2022

web structural design ppd provides steel and concrete structure design drafting projects mainly for process plants accordingly with european norms and standards process

pipe drafting and design by roy a parisher open library - Jun 22 2022

web nov 18 2022 pipe drafting and design by roy a parisher 1996 elsevier science technology books edition in english it looks like you re offline pipe drafting and

pipe drafting and design pdf 40 87 mb pdf room - Jul 24 2022

web apr 14 2020 pipe drafting and design pdf 40 87 mb pdf room pipe drafting and design pdf 2011 470 pages 40 87 mb english posted april 14 2020

pipe drafting and design roy a parisher google books - Nov 27 2022

web oct 24 2001 pipe drafting and design roy a parisher elsevier oct 24 2001 technology engineering 368 pages 7 reviews reviews aren t verified but google

pipe drafting and design ebook parisher roy a amazon in - May 22 2022

web paperback 8 269 00 2 used from 12 711 00 9 new from 6 396 00 pipe drafting and design third edition provides step by step instructions to walk pipe designers

pipe drafting and design parisher roy a free download - Oct 07 2023

web pipe drafting and design by parisher roy a publication date 2002 topics piping drawing handbooks manuals etc piping design and construction handbooks

pipe drafting and design 4th edition elsevier - Aug 05 2023

web aug 19 2021 pipe drafting and design 4th edition august 19 2021 authors roy a parisher robert a rhea paperback isbn 9780128220474 ebook isbn

pipe drafting and design by roy a parisher robert a rhea - Aug 25 2022

web pipe drafting and design show full title by roy a parisher and robert a rhea 0 ratings about this ebook pipe drafting and design fourth edition is a tried and trusted guide

pipe drafting and design roy a parisher robert a rhea - Sep 25 2022

web pipe drafting and design second edition provides step by step instructions to walk pipe designers and drafters and students in engineering design graphics and engineering

download pipe drafting and design by roy a parisher robert a - Apr 20 2022

web pipe drafting and design author roy a parisher robert a rhea language english isbn 9780128220481 0128220481 year 2022 file size 34 3 mb total downloads

pipe drafting and design parisher roy a rhea - May 02 2023

web sep 8 2021 paperback 73 15 77 00 9 used from 69 16 14 new from 77 00 pipe drafting and design fourth edition is a tried and trusted guide to the terminology

pipe drafting and design roy a parisher robert a rhea - Jan 30 2023

web aug 19 2021 roy a parisher robert a rhea gulf professional publishing aug 19 2021 technology engineering 494 pages pipe drafting and design fourth edition is a

pipe drafting and design sciencedirect - Jun 03 2023

web roy a parisher and robert a rhea pipe drafting and design fourth edition is a tried and trusted guide to the terminology drafting methods and applications of pipes

pipe drafting and design parisher roy a - Sep 06 2023

