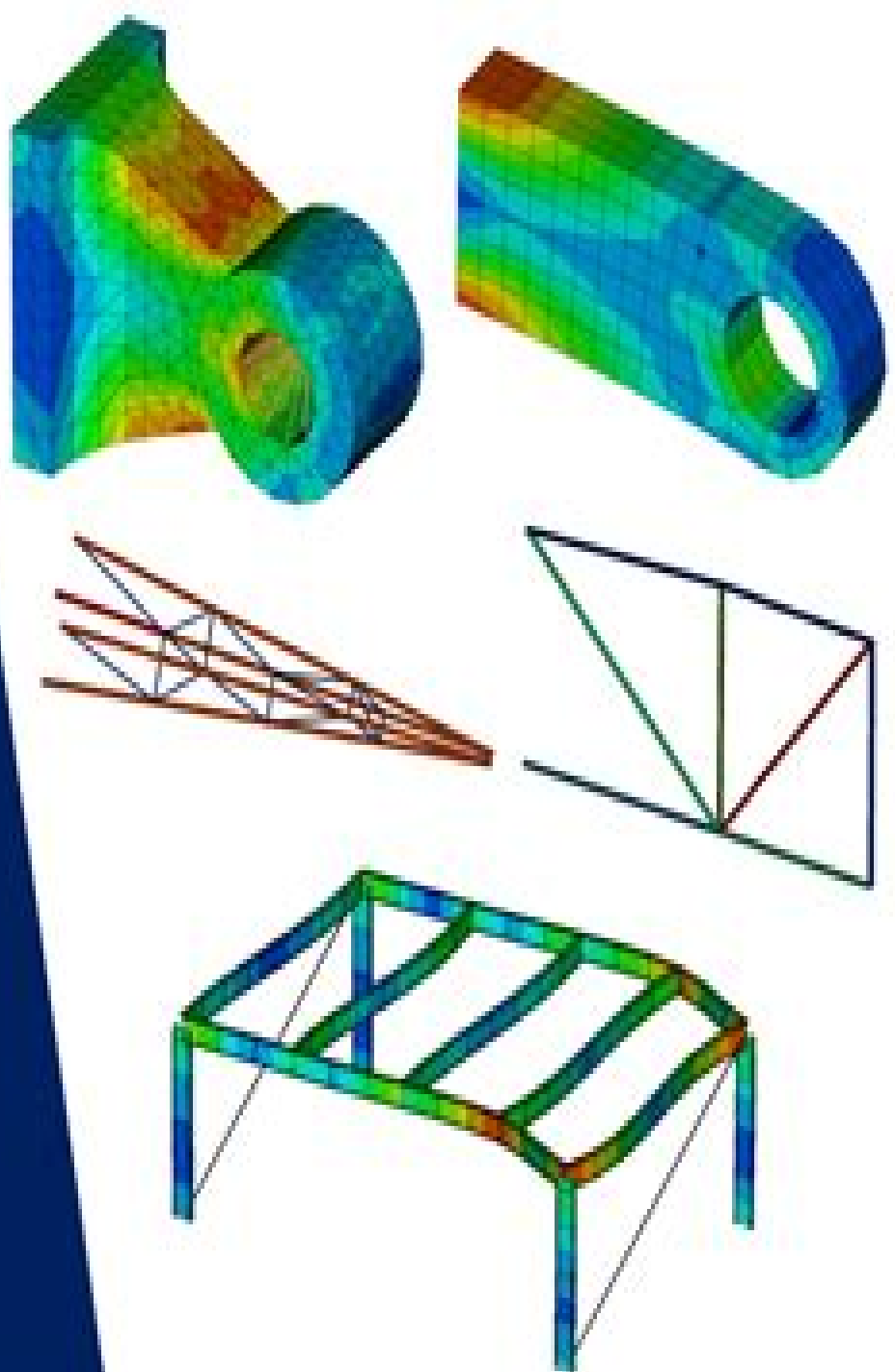


LearnFEA

The Finite Element  
Method for Linear  
Structural Analysis



# An Analysis Of The Finite Element Method 2nd Edition

**Young W. Kwon,Hyochong Bang**



## **An Analysis Of The Finite Element Method 2nd Edition:**

**Applied Finite Element Analysis** Larry J. Segerlind, 1991-01-16 An introductory textbook for senior graduate courses in finite element analysis taught in all engineering departments Covers the basic concepts of the finite element method and their application to the analysis of plane structures and two dimensional continuum problems in heat transfer irrotational fluid flow and elasticity This revised edition includes a reorganization of topics and an increase in the number of homework problems The emphasis on numerical illustrations make topics clear without heavy use of sophisticated mathematics *Finite Element Methods for Engineers* R T Fenner, 1996-01-31 Professor Fenner's definitive text is now back in print with added corrections It serves as an introduction to finite element methods for engineering undergraduates and other students at an equivalent level Postgraduate and practising engineers will also find it useful if they are comparatively new to finite element methods The main emphasis is on the simplest methods suitable for solving two dimensional continuum mechanics problems particularly those encountered in the fields of stress analysis fluid mechanics and heat transfer Complete FORTRAN programs are presented described and discussed in detail and several practical case studies serve to illustrate the methods developed in the book Finite element methods are compared and contrasted with finite difference methods and throughout the level of computer programming continuum mechanics numerical analysis matrix algebra and other mathematics employed corresponds to that normally covered in undergraduate engineering courses Contents Introduction and Structural Analysis Continuum Mechanics Problems Finite Element Analysis of Harmonic Problems Finite Element Meshes Some Harmonic Problems Finite Element Analysis of Biharmonic Problems Some Biharmonic Problems Further Applications Readership Undergraduates and postgraduates in civil engineering mechanical engineering and practising engineers

*Introduction to Finite Element Analysis and Design* Nam-Ho Kim, Bhavani V. Sankar, Ashok V. Kumar, 2018-06-15 Introduces the basic concepts of FEM in an easy to use format so that students and professionals can use the method efficiently and interpret results properly Finite element method FEM is a powerful tool for solving engineering problems both in solid structural mechanics and fluid mechanics This book presents all of the theoretical aspects of FEM that students of engineering will need It eliminates overlong math equations in favour of basic concepts and reviews of the mathematics and mechanics of materials in order to illustrate the concepts of FEM It introduces these concepts by including examples using six different commercial programs online The all new second edition of Introduction to Finite Element Analysis and Design provides many more exercise problems than the first edition It includes a significant amount of material in modelling issues by using several practical examples from engineering applications The book features new coverage of buckling of beams and frames and extends heat transfer analyses from 1D in the previous edition to 2D It also covers 3D solid element and its application as well as 2D Additionally readers will find an increase in coverage of finite element analysis of dynamic problems There is also a companion website with examples that are concurrent with the most recent version of the commercial

programs Offers elaborate explanations of basic finite element procedures Delivers clear explanations of the capabilities and limitations of finite element analysis Includes application examples and tutorials for commercial finite element software such as MATLAB ANSYS ABAQUS and NASTRAN Provides numerous examples and exercise problems Comes with a complete solution manual and results of several engineering design projects Introduction to Finite Element Analysis and Design 2nd Edition is an excellent text for junior and senior level undergraduate students and beginning graduate students in mechanical civil aerospace biomedical engineering industrial engineering and engineering mechanics An Analysis of the Finite Element Method Gilbert Strang, George Fix, 2008-05-01 This second edition has two parts The first part is the complete classic by Gilbert Strang and George Fix first published in 1973 The original book demonstrates the solid mathematical foundation of the finite element idea and the reasons for its success The second part is a new textbook by Strang It provides examples codes and exercises to connect the theory of the Finite Element Method directly to the applications The reader will learn how to assemble the stiffness matrix  $K$  and solve the finite element equations  $KU = F$  Discontinuous Galerkin methods with a numerical flux function are now included Strang's approach is direct and focuses on learning finite elements by using them *Structural Analysis with Finite Elements* Friedel Hartmann, Casimir Katz, 2007-02-05 This book provides a solid introduction to the foundation and the application of the finite element method in structural analysis It offers new theoretical insight and practical advice This second edition contains additional sections on sensitivity analysis on retrofitting structures on the Generalized FEM X FEM and on model adaptivity An additional chapter treats the boundary element method and related software is available at [www.winfem.de](http://www.winfem.de) **Finite Element Analysis** Barna Szabó, Ivo Babuška, 2021-06-22 Finite Element Analysis An updated and comprehensive review of the theoretical foundation of the finite element method The revised and updated second edition of Finite Element Analysis Method Verification and Validation offers a comprehensive review of the theoretical foundations of the finite element method and highlights the fundamentals of solution verification validation and uncertainty quantification Written by noted experts on the topic the book covers the theoretical fundamentals as well as the algorithmic structure of the finite element method The text contains numerous examples and helpful exercises that clearly illustrate the techniques and procedures needed for accurate estimation of the quantities of interest In addition the authors describe the technical requirements for the formulation and application of design rules Designed as an accessible resource the book has a companion website that contains a solutions manual PowerPoint slides for instructors and a link to finite element software This important text Offers a comprehensive review of the theoretical foundations of the finite element method Puts the focus on the fundamentals of solution verification validation and uncertainty quantification Presents the techniques and procedures of quality assurance in numerical solutions of mathematical problems Contains numerous examples and exercises Written for students in mechanical and civil engineering analysts seeking professional certification and applied mathematicians Finite Element Analysis Method Verification and Validation Second Edition includes the tools

concepts techniques and procedures that help with an understanding of finite element analysis *Finite Element Multidisciplinary Analysis* Kajal K. Gupta, J. L. Meek, 2003 Annotation This book fills a gap within the finite element literature by addressing the challenges and developments in multidisciplinary analysis Current developments include disciplines of structural mechanics heat transfer fluid mechanics controls engineering and propulsion technology and their interaction as encountered in many practical problems in aeronautical aerospace and mechanical engineering among others These topics are reflected in the 15 chapter titles of the book Numerical problems are provided to illustrate the applicability of the techniques Exercises may be solved either manually or by using suitable computer software A version of the multidisciplinary analysis program STARS is available from the author As a textbook the book is useful at the senior undergraduate or graduate level The practicing engineer will find it invaluable for solving full scale practical problems **Finite Element Analysis** David W. Nicholson, 2008-04-18 Explore a Unified Treatment of the Finite Element Method The finite element method has matured to the point that it can accurately and reliably be used by a careful analyst for an amazingly wide range of applications With expanded coverage and an increase in fully solved examples the second edition of *Finite Element Analysis Thermomechanics* [Introduction to Finite Element Analysis and Design](#) Nam H. Kim, 2008 *Nonlinear Finite Element Analysis of Solids and Structures* René de Borst, Mike A. Crisfield, Joris J. C. Remmers, Clemens V. Verhoosel, 2012-07-25 Built upon the two original books by Mike Crisfield and their own lecture notes renowned scientist René de Borst and his team offer a thoroughly updated yet condensed edition that retains and builds upon the excellent reputation and appeal amongst students and engineers alike for which Crisfield's first edition is acclaimed Together with numerous additions and updates the new authors have retained the core content of the original publication while bringing an improved focus on new developments and ideas This edition offers the latest insights in non linear finite element technology including non linear solution strategies computational plasticity damage mechanics time dependent effects hyperelasticity and large strain elasto plasticity The authors integrated and consistent style and unrivalled engineering approach assures this book's unique position within the computational mechanics literature Key features Combines the two previous volumes into one heavily revised text with obsolete material removed an improved layout and updated references and notations Extensive new material on more recent developments in computational mechanics Easily readable engineering oriented with no more details in the main text than necessary to understand the concepts Pseudo code throughout makes the link between theory and algorithms and the actual implementation Accompanied by a website [www.wiley.com/go/deborst](http://www.wiley.com/go/deborst) with a Python code based on the pseudo code within the book and suitable for solving small size problems *Non linear Finite Element Analysis of Solids and Structures 2nd Edition* is an essential reference for practising engineers and researchers that can also be used as a text for undergraduate and graduate students within computational mechanics **What Every Engineer Should Know about Finite Element Analysis, Second Edition**, John Brauer, 1993-05-05 Summarizing the history and basic concepts of

finite elements in a manner easily understood by all engineers this concise reference describes specific finite element software applications to structural thermal electromagnetic and fluid analysis detailing the latest developments in design optimization finite element model building and results processing and future trends Requiring no previous knowledge of finite elements analysis the Second Edition provides new material on p elements iterative solvers design optimization dynamic open boundary finite elements electric circuits coupled to finite elements anisotropic and complex materials electromagnetic eigenvalues and automated pre and post processing software Containing more than 120 tables and computer drawn illustrations and including two full colour plates What Every Engineer Should Know About Finite Element Analysis should be of use to engineers engineering students and other professionals involved with product design or analysis

*Finite Element Analysis* Barna Aladar Szabo,Ivo Babuška,2021 Finite Element Analysis Method Verification and Validation Second Edition comprehensively covers the theoretical foundation of the of the finite element method with particular focus on the fundamentals of verification validation and uncertainty quantification It illustrates the techniques and procedures of quality assurance in numerical simulation through examples and exercises and describes the technical requirements for the formulation and application of design rules Finite Element Analysis Method Verification and Validation Second Edition bridges the gap between theory and numerical results in a unique and accessible way and is accompanied by a website hosting a solutions manual powerpoint slides for instructors and a link to finite element software *The Finite Element Method in Heat Transfer Analysis* Roland W. Lewis,Ken Morgan,H. R. Thomas,Kankanhalli N.

Seetharamu,1996-08-06 Heat transfer analysis is a problem of major significance in a vast range of industrial applications These extend over the fields of mechanical engineering aeronautical engineering chemical engineering and numerous applications in civil and electrical engineering If one considers the heat conduction equation alone the number of practical problems amenable to solution is extensive Expansion of the work to include features such as phase change coupled heat and mass transfer and thermal stress analysis provides the engineer with the capability to address a further series of key engineering problems The complexity of practical problems is such that closed form solutions are not generally possible The use of numerical techniques to solve such problems is therefore considered essential and this book presents the use of the powerful finite element method in heat transfer analysis Starting with the fundamental general heat conduction equation the book moves on to consider the solution of linear steady state heat conduction problems transient analyses and non linear examples Problems of melting and solidification are then considered at length followed by a chapter on convection The application of heat and mass transfer to drying problems and the calculation of both thermal and shrinkage stresses conclude the book Numerical examples are used to illustrate the basic concepts introduced This book is the outcome of the teaching and research experience of the authors over a period of more than 20 years *The Finite Element Method Using MATLAB* Young W. Kwon,Hyochoong Bang,2018-10-03 Expanded to include a broader range of problems than the bestselling first

edition Finite Element Method Using MATLAB Second Edition presents finite element approximation concepts formulation and programming in a format that effectively streamlines the learning process It is written from a general engineering and mathematical perspective rather than that of a solid structural mechanics basis What s new in the Second Edition Each chapter in the Second Edition now includes an overview that outlines the contents and purpose of each chapter The authors have also added a new chapter of special topics in applications including cracks semi infinite and infinite domains buckling and thermal stress They discuss three different linearization techniques to solve nonlinear differential equations Also included are new sections on shell formulations and MATLAB programs These enhancements increase the book s already significant value both as a self study text and a reference for practicing engineers and scientists **Finite Element**

**Analysis** David W. Nicholson,2003-03-26 Finite element modeling has developed into one of the most important tools at an engineer s disposal especially in applications involving nonlinearity While engineers coping with such applications may have access to powerful computers and finite element codes too often they lack the strong foundation in finite element analysis FEA that nonlinear problems require Finite Element Analysis Thermomechanics of Solids builds that foundation It offers a comprehensive unified presentation of FEA applied to coupled mechanical and thermal static and dynamic and linear and nonlinear responses of solids and structures The treatment first establishes the mathematical background then moves from the basics of continuum thermomechanics through the finite element method for linear media to nonlinear problems based on a unified set of incremental variational principles As the use of FEA in advanced materials and applications continues to grow and with the integration of FEA with CAD rapid prototyping and visualization technology it becomes increasingly important that engineers fully understand the principles and techniques of FEA This book offers the opportunity to gain that understanding through a treatment that is concise yet comprehensive detailed and practical Computational Solid

Mechanics Marco L. Bittencourt,2014-09-19 Presents a Systematic Approach for Modeling Mechanical Models Using Variational Formulation Uses Real World Examples and Applications of Mechanical Models Utilizing material developed in a classroom setting and tested over a 12 year period Computational Solid Mechanics Variational Formulation and High Order Approximation details an approach that e Finite Element Method Gouri Dhatt,Emmanuel Lefrançois,Gilbert

Touzot,2012-12-27 This book offers an in depth presentation of the finite element method aimed at engineers students and researchers in applied sciences The description of the method is presented in such a way as to be usable in any domain of application The level of mathematical expertise required is limited to differential and matrix calculus The various stages necessary for the implementation of the method are clearly identified with a chapter given over to each one approximation construction of the integral forms matrix organization solution of the algebraic systems and architecture of programs The final chapter lays the foundations for a general program written in Matlab which can be used to solve problems that are linear or otherwise stationary or transient presented in relation to applications stemming from the domains of structural

mechanics fluid mechanics and heat transfer      **Finite Element Method** G.R. Liu, S. S. Quek, 2003-02-21 The Finite Element Method FEM has become an indispensable technology for the modelling and simulation of engineering systems Written for engineers and students alike the aim of the book is to provide the necessary theories and techniques of the FEM for readers to be able to use a commercial FEM package to solve primarily linear problems in mechanical and civil engineering with the main focus on structural mechanics and heat transfer Fundamental theories are introduced in a straightforward way and state of the art techniques for designing and analyzing engineering systems including microstructural systems are explained in detail Case studies are used to demonstrate these theories methods techniques and practical applications and numerous diagrams and tables are used throughout The case studies and examples use the commercial software package ABAQUS but the techniques explained are equally applicable for readers using other applications including NASTRAN ANSYS MARC etc A practical and accessible guide to this complex yet important subject Covers modeling techniques that predict how components will operate and tolerate loads stresses and strains in reality

**Introduction to Finite Element Analysis and Design, 2nd Edition** Nam Kim, 2018 Introduces the basic concepts of FEM in an easy to use format so that students and professionals can use the method efficiently and interpret results properly Finite element method FEM is a powerful tool for solving engineering problems both in solid structural mechanics and fluid mechanics This book presents all of the theoretical aspects of FEM that students of engineering will need It eliminates overlong math equations in favour of basic concepts and reviews of the mathematics and mechanics of materials in order to illustrate the concepts of FEM It introduces these concepts by including examples using six different commercial programs online The all new second edition of Introduction to Finite Element Analysis and Design provides many more exercise problems than the first edition It includes a significant amount of material in modelling issues by using several practical examples from engineering applications The book features new coverage of buckling of beams and frames and extends heat transfer analyses from 1D in the previous edition to 2D It also covers 3D solid element and its application as well as 2D Additionally readers will find an increase in coverage of finite element analysis of dynamic problems There is also a companion website with examples that are concurrent with the most recent version of the commercial programs Offers elaborate explanations of basic finite element procedures Delivers clear explanations of the capabilities and limitations of finite element analysis Includes application examples and tutorials for commercial finite element software such as MATLAB ANSYS ABAQUS and NASTRAN Provides numerous examples and exercise problems Comes with a complete solution manual and results of several engineering design projects Introduction to Finite Element Analysis and Design 2nd Edition is an excellent text for junior and senior level undergraduate students and beginning graduate students in mechanical civil aerospace biomedical engineering industrial engineering and engineering mechanics      Proceedings of Symposium on Finite Element Method Zhongguo ji xie gong cheng xue hui (Beijing, China), 1982

An Analysis Of The Finite Element Method 2nd Edition: Bestsellers in 2023 The year 2023 has witnessed a remarkable surge in literary brilliance, with numerous compelling novels enthralling the hearts of readers worldwide. Lets delve into the realm of top-selling books, exploring the captivating narratives that have enthralled audiences this year. The Must-Read : Colleen Hoover's "It Ends with Us" This touching tale of love, loss, and resilience has captivated readers with its raw and emotional exploration of domestic abuse. Hoover expertly weaves a story of hope and healing, reminding us that even in the darkest of times, the human spirit can triumph. Uncover the Best : Taylor Jenkins Reids "The Seven Husbands of Evelyn Hugo" This intriguing historical fiction novel unravels the life of Evelyn Hugo, a Hollywood icon who defies expectations and societal norms to pursue her dreams. Reids absorbing storytelling and compelling characters transport readers to a bygone era, immersing them in a world of glamour, ambition, and self-discovery. Discover the Magic : Delia Owens "Where the Crawdads Sing" This mesmerizing coming-of-age story follows Kya Clark, a young woman who grows up alone in the marshes of North Carolina. Owens spins a tale of resilience, survival, and the transformative power of nature, captivating readers with its evocative prose and mesmerizing setting. These top-selling novels represent just a fraction of the literary treasures that have emerged in 2023. Whether you seek tales of romance, adventure, or personal growth, the world of literature offers an abundance of engaging stories waiting to be discovered. The novel begins with Richard Papen, a bright but troubled young man, arriving at Hampden College. Richard is immediately drawn to the group of students who call themselves the Classics Club. The club is led by Henry Winter, a brilliant and charismatic young man. Henry is obsessed with Greek mythology and philosophy, and he quickly draws Richard into his world. The other members of the Classics Club are equally as fascinating. Bunny Corcoran is a wealthy and spoiled young man who is always looking for a good time. Charles Tavis is a quiet and reserved young man who is deeply in love with Henry. Camilla Macaulay is a beautiful and intelligent young woman who is drawn to the power and danger of the Classics Club. The students are all deeply in love with Morrow, and they are willing to do anything to please him. Morrow is a complex and mysterious figure, and he seems to be manipulating the students for his own purposes. As the students become more involved with Morrow, they begin to commit increasingly dangerous acts. The Secret History is a exceptional and thrilling novel that will keep you speculating until the very end. The novel is a cautionary tale about the dangers of obsession and the power of evil.

[https://py.bijouxmedusa.com/data/uploaded-files/fetch.php/services\\_apps\\_united\\_states\\_52\\_390\\_vpn\\_services\\_apps\\_united\\_states.pdf](https://py.bijouxmedusa.com/data/uploaded-files/fetch.php/services_apps_united_states_52_390_vpn_services_apps_united_states.pdf)

## **Table of Contents An Analysis Of The Finite Element Method 2nd Edition**

1. Understanding the eBook An Analysis Of The Finite Element Method 2nd Edition
  - The Rise of Digital Reading An Analysis Of The Finite Element Method 2nd Edition
  - Advantages of eBooks Over Traditional Books
2. Identifying An Analysis Of The Finite Element Method 2nd Edition
  - Exploring Different Genres
  - Considering Fiction vs. Non-Fiction
  - Determining Your Reading Goals
3. Choosing the Right eBook Platform
  - Popular eBook Platforms
  - Features to Look for in an An Analysis Of The Finite Element Method 2nd Edition
  - User-Friendly Interface
4. Exploring eBook Recommendations from An Analysis Of The Finite Element Method 2nd Edition
  - Personalized Recommendations
  - An Analysis Of The Finite Element Method 2nd Edition User Reviews and Ratings
  - An Analysis Of The Finite Element Method 2nd Edition and Bestseller Lists
5. Accessing An Analysis Of The Finite Element Method 2nd Edition Free and Paid eBooks
  - An Analysis Of The Finite Element Method 2nd Edition Public Domain eBooks
  - An Analysis Of The Finite Element Method 2nd Edition eBook Subscription Services
  - An Analysis Of The Finite Element Method 2nd Edition Budget-Friendly Options
6. Navigating An Analysis Of The Finite Element Method 2nd Edition eBook Formats
  - ePub, PDF, MOBI, and More
  - An Analysis Of The Finite Element Method 2nd Edition Compatibility with Devices
  - An Analysis Of The Finite Element Method 2nd Edition Enhanced eBook Features
7. Enhancing Your Reading Experience
  - Adjustable Fonts and Text Sizes of An Analysis Of The Finite Element Method 2nd Edition
  - Highlighting and Note-Taking An Analysis Of The Finite Element Method 2nd Edition
  - Interactive Elements An Analysis Of The Finite Element Method 2nd Edition
8. Staying Engaged with An Analysis Of The Finite Element Method 2nd Edition

- Joining Online Reading Communities
  - Participating in Virtual Book Clubs
  - Following Authors and Publishers An Analysis Of The Finite Element Method 2nd Edition
9. Balancing eBooks and Physical Books An Analysis Of The Finite Element Method 2nd Edition
- Benefits of a Digital Library
  - Creating a Diverse Reading Collection An Analysis Of The Finite Element Method 2nd Edition
10. Overcoming Reading Challenges
- Dealing with Digital Eye Strain
  - Minimizing Distractions
  - Managing Screen Time
11. Cultivating a Reading Routine An Analysis Of The Finite Element Method 2nd Edition
- Setting Reading Goals An Analysis Of The Finite Element Method 2nd Edition
  - Carving Out Dedicated Reading Time
12. Sourcing Reliable Information of An Analysis Of The Finite Element Method 2nd Edition
- Fact-Checking eBook Content of An Analysis Of The Finite Element Method 2nd Edition
  - Distinguishing Credible Sources
13. Promoting Lifelong Learning
- Utilizing eBooks for Skill Development
  - Exploring Educational eBooks
14. Embracing eBook Trends
- Integration of Multimedia Elements
  - Interactive and Gamified eBooks

### **An Analysis Of The Finite Element Method 2nd Edition Introduction**

In today's digital age, the availability of An Analysis Of The Finite Element Method 2nd Edition books and manuals for download has revolutionized the way we access information. Gone are the days of physically flipping through pages and carrying heavy textbooks or manuals. With just a few clicks, we can now access a wealth of knowledge from the comfort of our own homes or on the go. This article will explore the advantages of An Analysis Of The Finite Element Method 2nd Edition books and manuals for download, along with some popular platforms that offer these resources. One of the significant advantages of An Analysis Of The Finite Element Method 2nd Edition books and manuals for download is the cost-saving

aspect. Traditional books and manuals can be costly, especially if you need to purchase several of them for educational or professional purposes. By accessing An Analysis Of The Finite Element Method 2nd Edition versions, you eliminate the need to spend money on physical copies. This not only saves you money but also reduces the environmental impact associated with book production and transportation. Furthermore, An Analysis Of The Finite Element Method 2nd Edition books and manuals for download are incredibly convenient. With just a computer or smartphone and an internet connection, you can access a vast library of resources on any subject imaginable. Whether you're a student looking for textbooks, a professional seeking industry-specific manuals, or someone interested in self-improvement, these digital resources provide an efficient and accessible means of acquiring knowledge. Moreover, PDF books and manuals offer a range of benefits compared to other digital formats. PDF files are designed to retain their formatting regardless of the device used to open them. This ensures that the content appears exactly as intended by the author, with no loss of formatting or missing graphics. Additionally, PDF files can be easily annotated, bookmarked, and searched for specific terms, making them highly practical for studying or referencing. When it comes to accessing An Analysis Of The Finite Element Method 2nd Edition books and manuals, several platforms offer an extensive collection of resources. One such platform is Project Gutenberg, a nonprofit organization that provides over 60,000 free eBooks. These books are primarily in the public domain, meaning they can be freely distributed and downloaded. Project Gutenberg offers a wide range of classic literature, making it an excellent resource for literature enthusiasts. Another popular platform for An Analysis Of The Finite Element Method 2nd Edition books and manuals is Open Library. Open Library is an initiative of the Internet Archive, a non-profit organization dedicated to digitizing cultural artifacts and making them accessible to the public. Open Library hosts millions of books, including both public domain works and contemporary titles. It also allows users to borrow digital copies of certain books for a limited period, similar to a library lending system. Additionally, many universities and educational institutions have their own digital libraries that provide free access to PDF books and manuals. These libraries often offer academic texts, research papers, and technical manuals, making them invaluable resources for students and researchers. Some notable examples include MIT OpenCourseWare, which offers free access to course materials from the Massachusetts Institute of Technology, and the Digital Public Library of America, which provides a vast collection of digitized books and historical documents. In conclusion, An Analysis Of The Finite Element Method 2nd Edition books and manuals for download have transformed the way we access information. They provide a cost-effective and convenient means of acquiring knowledge, offering the ability to access a vast library of resources at our fingertips. With platforms like Project Gutenberg, Open Library, and various digital libraries offered by educational institutions, we have access to an ever-expanding collection of books and manuals. Whether for educational, professional, or personal purposes, these digital resources serve as valuable tools for continuous learning and self-improvement. So why not take advantage of the vast world of An Analysis Of The Finite Element Method 2nd Edition books

and manuals for download and embark on your journey of knowledge?

### **FAQs About An Analysis Of The Finite Element Method 2nd Edition Books**

How do I know which eBook platform is the best for me? Finding the best eBook platform depends on your reading preferences and device compatibility. Research different platforms, read user reviews, and explore their features before making a choice. Are free eBooks of good quality? Yes, many reputable platforms offer high-quality free eBooks, including classics and public domain works. However, make sure to verify the source to ensure the eBook credibility. Can I read eBooks without an eReader? Absolutely! Most eBook platforms offer web-based readers or mobile apps that allow you to read eBooks on your computer, tablet, or smartphone. How do I avoid digital eye strain while reading eBooks? To prevent digital eye strain, take regular breaks, adjust the font size and background color, and ensure proper lighting while reading eBooks. What the advantage of interactive eBooks? Interactive eBooks incorporate multimedia elements, quizzes, and activities, enhancing the reader engagement and providing a more immersive learning experience. An Analysis Of The Finite Element Method 2nd Edition is one of the best book in our library for free trial. We provide copy of An Analysis Of The Finite Element Method 2nd Edition in digital format, so the resources that you find are reliable. There are also many Ebooks of related with An Analysis Of The Finite Element Method 2nd Edition. Where to download An Analysis Of The Finite Element Method 2nd Edition online for free? Are you looking for An Analysis Of The Finite Element Method 2nd Edition PDF? This is definitely going to save you time and cash in something you should think about.

### **Find An Analysis Of The Finite Element Method 2nd Edition :**

**services apps United States 52-390 VPN services apps United States**

*for beginners blueprint United States 52-2313 coding for beginners*

*study USA 52-21 personal finance case study USA 52-2997 personal finance*

*for entrepreneurs 52-1957 retirement planning tips for small business*

**tips examples for startups 52-400 travel tips explained America 52-196**

*States 52-1145 small business ideas ideas United States 52-743 small*

**startups 52-525 cloud computing blueprint America 52-280 cloud computing**

*blueprint America 52-1330 minimalist lifestyle blueprint for*

*marketing software United States 52-2401 TikTok marketing step by step*

**electric vehicles step by step for startups 52-1784 electric vehicles  
marketing tools for startups 52-1689 AI marketing trends America 52-2584  
52-2351 mobile app ideas blueprint America 52-273 mobile app ideas  
income ideas apps for small business 52-1440 passive income ideas best  
strategies for entrepreneurs 52-1315 cybersecurity strategies for  
52-2952 credit score improvement strategies USA 52-1564 credit score**

**An Analysis Of The Finite Element Method 2nd Edition :**

*vivienne westwood how the brand will maintain the spirit of* - Aug 25 2022

web jan 6 2023 the death of the english fashion designer dame vivienne westwood at the age of 81 on december 29 2022 has not only moved the fashion industry but the world through her designs and her activism

dame vivienne westwood has died at 81 vogue - May 22 2022

web december 29 2022 photo vogue runway dame vivienne westwood the trailblazing british fashion designer who brought punk and politics to the rarefied world of high fashion has died on

**vivienne westwood biography designs facts britannica** - Jan 30 2023

web sep 30 2023 vivienne westwood british fashion designer known for her provocative clothing with her partner malcolm mclaren she extended the influence of the 1970s punk music movement into fashion she later became a leading independent designer learn more about westwood s life and career

**vivienne westwood tributes for queen of british fashion after** - Nov 27 2022

web dec 30 2022 tributes to dame vivienne westwood have poured in following the death of the undisputed queen of british fashion she died peacefully and surrounded by her family in london her fashion house

**british fashion designer dame vivienne westwood dies at 81** - Jun 22 2022

web december 29 2022 4 05pm view all 36 photos london dame vivienne westwood who was responsible for ushering in the punk fashion phenomenon of the 70s and whose subsequent designs from

**women s clothing and accessories vivienne westwood** - Feb 16 2022

web shop vivienne westwood women s designer clothing and accessories find luxury sunglasses fashionable cross body bags and tailored trousers

*vivienne westwood online clothing and accessories* - Oct 07 2023

web explore the official vivienne westwood online boutique discover luxury garments and designer jewellery including bold silhouettes and punk inspired pieces across women and men s clothes and accessories

*dame vivienne westwood the godmother of punk bbc news* - May 02 2023

web dec 30 2022 vivienne westwood gave birth to punk conquered high fashion and built a global empire she invented new romantics sent naomi campbell down the catwalk wearing a traffic cone and turned up to

why the swagger of vivienne westwood s 1981 pirate collection vogue - Aug 05 2023

web may 17 2021 photo david corio redferns forty years after vivienne westwood and malcom mclaren staged their first fashion show full of pirate looks swagger has returned to the runways it s present in

**vivienne westwood clothes career life biography** - Dec 29 2022

web apr 2 2014 considered one of the most unconventional and outspoken fashion designers in the world vivienne westwood rose to fame in the late 1970s when her early designs helped shape the look of the punk

*how vivienne westwood turned the fashion industry on its* - Sep 25 2022

web feb 16 2023 at 21 she married derek westwood and had a son ben in 1963 dissatisfied with domesticity she left to live with her brother who fatefully introduced her to mclaren she gave birth to their son joe corré in 1967 in the late 80s vivienne was appointed a professor of fashion at the vienna academy of applied arts

*womens designer and luxury jewellery vivienne westwood* - Apr 20 2022

web discover vivienne westwood women s luxury jewellery find iconic pearl earrings charm bracelets pendant necklaces and orb rings made from recycled silver

vivienne westwood wikipedia - Jun 03 2023

web early years westwood was born in the village of tintwistle cheshire n 1 on 8 april 1941 11 she was the daughter of gordon swire and dora swire née ball who had married two years previously two weeks after the outbreak of the second world war 12

**dame vivienne westwood biography childhood life** - Dec 17 2021

web vivienne westwood is a legendary british fashion designer who made an immense contribution to the field of international fashion and style in a career span of over 34 years westwood is one of the most influential and respected designers in the fashion industry in 1981 430 king s road showcased its designs for the first time on the

**the story so far vivienne westwood** - Sep 06 2023

web the first vivienne westwood new york boutique opens in 1999 the vivienne westwood man label launches in 1996 in milan a vivienne westwood licensed boutique launches in tokyo japan a first outside of the uk anglomania launches in 1998 as its own diffusion line taking inspiration from the vivienne westwood archive collections

**vivienne westwood online clothing and accessories** - Nov 15 2021

web explore the official vivienne westwood online boutique discover luxury garments and designer jewellery including bold

silhouettes and punk inspired pieces across women and men s clothes and accessories

**the story so far vivienne westwood** - Jul 04 2023

web vivienne began by designing and making teddy boy clothes for malcolm and in 1971 they opened a small boutique called let it rock at number 430 kings road chelsea in london a year later vivienne s interests had turned to biker clothing zips and leather

*vivienne westwood influential punk fashion maverick dies at 81* - Jul 24 2022

web dec 30 2022 london vivienne westwood an influential fashion maverick who played a key role in the punk movement died thursday at 81 westwood s eponymous fashion house announced her death on social

in photos vivienne westwood s many career highlights british vogue - Apr 01 2023

web dec 29 2022 dame vivienne westwood died peacefully on 29 december at the age of 81 surrounded by her family and loved ones as british fashion mourns the loss of its grand dame revisit some of the legendary designer s career highlights

**vivienne westwood shop at mytheresa** - Mar 20 2022

web vivienne westwood is a british institution the designer opened her first boutique in 1971 and was at the forefront of the punk movement in 70s london since then the eponymous brand has kept its finger on the pulse of british youth culture

vivienne westwood designers on her influence and legacy - Feb 28 2023

web dec 30 2022 fashion designer matty bovan first discovered westwood as a teenager when he spotted her work in an issue of fashion magazine vogue her impression on him would go on to be profound

a look back at the life of punk style icon vivienne westwood - Oct 27 2022

web dec 30 2022 vivienne westwood iconic fashion designer died thursday at age 81 npr s ari shapiro talks with ian kelly the co author of vivienne westwood s memoir about her life and legacy

*vivienne westwood trivia family bio famous birthdays* - Jan 18 2022

web dec 29 2022 vivienne westwood fashion designer birthday april 8 1941 birth sign aries birthplace derby england death date dec 29 2022 age 81 7648 most popular boost

*the marked girl hardcover june 7 2016 amazon com* - Mar 30 2022

web jun 7 2016 the marked girl by lindsey klingele is a modern day fantasy novel it takes place in present day california and centers around a film student named liv during liv s film shoot three mysterious strangers find their way onto her

*the marked girl on apple books* - Mar 10 2023

web worlds collide in lindsey klingele s debut young adult novel the marked girl an exciting fantasy tale turned upside down elissa sussman author of stray calls the marked girl a magical debut with a big heart when cedric crowned prince of caelum and his fellow royal friends inclu

**loading interface goodreads** - Aug 03 2022

web discover and share books you love on goodreads

[the marked girl lindsey klingele](#) - Apr 11 2023

web once upon a time in a land far far away los angeles when cedric crowned prince of caelum and his fellow royal friends including his betrothed kat find themselves stranded in modern day l a via a magical portal and an evil traitor named malquin all they want to do is get home to caelum soon

*the marked girl marked girl series 1 barnes noble* - Oct 05 2022

web aug 1 2017 elissa sussman author of stray calls the marked girl a magical debut with a big heart when cedric crowned prince of caelum and his fellow royal friends including his betrothed kat find themselves stranded in modern day l a via a magical portal and an evil traitor named malquin all they want to do is get home to caelum soon

[the marked girl hardcover 14 july 2016 amazon co uk](#) - Feb 09 2023

web jul 14 2016 worlds collide in lindsey klingele s debut young adult novel the marked girl an exciting fantasy tale turned upside down elissa sussman author of stray calls the marked girl a magical debut with a big heart when cedric crowned prince of caelum and his fellow royal friends including his betrothed kat find themselves stranded in

**the marked girl ebook by lindsey klingele hoopla** - Sep 04 2022

web worlds collide in lindsey klingele s debut young adult novel the marked girl an exciting fantasy tale turned upside down elissa sussman author of stray calls the marked girl a magical debut with a big heart when cedric crowned prince of caelum and his fellow royal friends including his betrothed kat find themselves stranded in modern day la

**the marked girl lindsey klingele amazon com tr kitap** - May 12 2023

web arama yapmak istediğiniz kategoriye seçin

**the marked girl kirkus reviews** - Dec 07 2022

web jun 21 2016 the marked girl by lindsey klingele release date june 21 2016 a teen girl s destiny crosses with that of a prince from another world in the parallel world caelum magic and monsters are real and physically gifted guardians trained to fight the evil wraths rule and protect

**the marked girl harpercollins** - Nov 06 2022

web aug 1 2017 worlds collide in lindsey klingele s debut young adult novel the marked girl an exciting fantasy tale turned upside down elissa sussman author of stray calls the marked girl a magical debut with a big heart when cedric crowned prince of caelum and his fellow royal friends including his betrothed kat find themselves stranded in

**the marked girl by lindsey klingele official book** - Feb 26 2022

web the marked girl by lindsey klingele official book trailer polandbananasbooks 431k subscribers 121k views 6 years ago

myself and the booksplosion crew worked with author lindsey klinge and  
[the marked girl audiobooks audible.com](#) - Jun 01 2022

web worlds collide in lindsey klinge's debut young adult novel the marked girl an exciting fantasy tale turned upside down  
elissa sussman author of stray calls the marked girl a magical debut with a big heart when cedric crowned prince of caelum  
and his fellow royal friends including his betrothed kat find themselves stranded in modern day la

**the marked girl by lindsey klinge overdrive** - Apr 30 2022

web jun 7 2016 elissa sussman author of stray calls the marked girl a magical debut with a big heart when cedric crowned  
prince of caelum and his fellow royal friends including his betrothed kat find themselves stranded in modern day la via a  
magical portal and an evil traitor named malquin all they want to do is get home to caelum soon

**the marked girl marked girl 1 by lindsey klinge goodreads** - Aug 15 2023

web jun 7 2016 1 654 ratings 264 reviews once upon a time in a land far far away los angeles when cedric crowned prince of  
caelum and his fellow royal friends including his betrothed kat find themselves stranded in modern day la via a magical  
portal and an evil traitor named malquin all they want to do is get home to caelum soon

**anne enright's novel follows a family that's left behind in a famous** - Dec 27 2021

web 7 hours ago npr's scott simon speaks with irish author anne enright about her novel the wren the wren it's about a  
mother and daughter and how their lives are marked by the family patriarch an irish poet

**the marked girl by lindsey klinge publishers weekly** - Jul 02 2022

web the marked girl lindsey klinge harperTeen 17 99 400p isbn 978 0 06 238033 3 when three royal refugees from a  
magical realm are stranded in modern day los angeles courtesy of an uprising

**the marked girl lindsey klinge google books** - Jun 13 2023

web jun 7 2016 harpercollins jun 7 2016 young adult fiction 400 pages 110 reviews reviews aren't verified but google  
checks for and removes fake content when it's identified worlds collide in lindsey

**the marked girl by lindsey klinge the storygraph** - Jan 28 2022

web the marked girl marked girl 1 lindsey klinge 416 pages first pub 2016 isbn uid 9780062380340 format paperback  
language english publisher harperTeen publication date 02 march 2020 fiction fantasy romance young adult adventurous  
lighthearted fast paced to read read currently reading did not finish

*marked girl series by lindsey klinge goodreads* - Jan 08 2023

web book 1 the marked girl by lindsey klinge 3 59 1 653 ratings 264 reviews published 2016 7 editions once upon a time in  
a land far far away los ang want to read rate it book 2 the broken world by lindsey klinge 3 73 394 ratings 60 reviews  
published 2017 9 editions the adventures of three teen royals and foster gir

*the marked girl sesli kitap lindsey klingele storytel* - Jul 14 2023

web worlds collide in lindsey klingele s debut young adult novel the marked girl an exciting fantasy tale turned upside down elissa sussman author of stray calls the marked girl a magical debut with a big heart

**di tutto traduzione in inglese esempi italiano reverso context** - Feb 17 2022

web nulla di tutto 637 prima di tutto 5688 di tutto per 2655 di tutto ciò 2239 di tutto il mondo 1452 niente di tutto 1399 più di tutto 369 traduzioni in contesto per di tutto in italiano inglese da reverso context fare di tutto fatto di tutto nulla di tutto prima di tutto di tutto per

**tutto italiano exclusive 1 year free electronic italian english** - Jun 23 2022

web jan 18 2016 now you can improve or maintain your italian with tutto italiano the bi monthly audio magazine for people who love italy and the italian language published six times a year tutto italiano will not only significantly improve your fluency it will also help you understand this beautiful and diverse country and what it is to be italian

**9788858600436 dico tutto italian edition cassano antonio** - May 03 2023

web dico tutto italian edition finden sie alle bücher von cassano antonio pardo pierluigi bei der büchersuchmaschine eurobuch de können sie antiquarische und neubücher vergleichen und sofort zum bestpreis bestellen 9788858600436

**dico tutto antonio cassano pierluigi pardo lafeltrinelli** - Jun 04 2023

web dico tutto è un libro di antonio cassano pierluigi pardo pubblicato da rizzoli nella collana bur varia acquista su lafeltrinelli a 9 50

dico tutto paperback 1 may 2010 amazon co uk - Sep 26 2022

web may 1 2010 buy dico tutto by 9788817040099 from amazon uk s books shop free delivery on eligible orders

*dico tutto italian edition versión kindle amazon es* - Apr 02 2023

web dico tutto italian edition ebook cassano antonio pardo pierluigi amazon es tienda kindle

**dico tutto italian edition kindle ausgabe amazon de** - Jul 05 2023

web dico tutto italian edition ebook cassano antonio pardo pierluigi amazon de kindle shop

*traduzione di dicono di tutto in francese reverso context* - Mar 21 2022

web traduzioni in contesto per dicono di tutto in italiano francese da reverso context È quello che tutti dicono di tutto traduzione context correttore sinonimi coniugazione coniugazione documents dizionario dizionario collaborativo grammatica expressio reverso corporate scarica per windows

**dico tutto antonio cassano pierluigi pardo google books** - Nov 28 2022

web may 31 2011 dico tutto antonio cassano pierluigi pardo bur may 31 2011 humor 195 pages chiedo scusa l ha detto davvero poche volte allora gioca tu invece è proprio da lui antonio cassano il talento più controverso del calcio italiano era

già un idolo per tutti nei vicoli di bari vecchia dove è nato

**dico tutto italian edition kindle editie amazon nl** - Jan 31 2023

web dico tutto italian edition ebook cassano antonio pardo pierluigi amazon nl kindle store

**dico tutto italian edition kindle edition amazon com** - Oct 08 2023

web may 31 2011 dico tutto italian edition kindle edition italian edition by antonio cassano author pierluigi pardo author format kindle edition 47 ratings see all formats and editions kindle 5 99 read with our free app hardcover from 39 57 2 used from 39 57 chiedo scusa l ha detto davvero poche volte allora gioca tu invece è

dico tutto italian edition kindle edition amazon co uk - Aug 06 2023

web may 31 2011 dico tutto italian edition ebook cassano antonio pardo pierluigi amazon co uk kindle store

**di tutto translation into english examples italian reverso** - Apr 21 2022

web translations in context of di tutto in italian english from reverso context fare di tutto fatto di tutto nulla di tutto prima di tutto di tutto per

**dico tutto by antonio cassano goodreads** - Dec 30 2022

web nov 19 2008 antonio cassano pierluigi pardo contributor 2 95 42 ratings 2 reviews il talento più splendente e controverso del calcio italiano era già un idolo per tutti nei vicoli di bari vecchia dove è nato

**dico tutto italian edition format kindle amazon fr** - Mar 01 2023

web achetez et téléchargez ebook dico tutto italian edition boutique kindle humour amazon fr

dico tutto italian edition api calvertfoundation org - Aug 26 2022

web extracts from italian prose writers for the use of students in the london university dico tutto italian edition downloaded from api calvertfoundation org by guest bond devyn parlate italiano or do you speak italian boydell brewer ltd a fresh look at the beautiful game nme welcome back to the inimitable work of illustrator david squires

**amazon it dico tutto cassano antonio pardo pierluigi libri** - Sep 07 2023

web antonio cassano il talento più controverso del calcio italiano era già un idolo per tutti nei vicoli di bari vecchia dove è nato perché il mondo lo conoscesse c è voluta però una sera di dicembre del 1999 con un gol rimasto nella memoria di tutti soprattutto se interisti

dice tutto traduzione in inglese esempi italiano reverso context - May 23 2022

web traduzioni in contesto per dice tutto in italiano inglese da reverso context tutto quello che dice tutto ciò che dice dice che tutto mi dice tutto

**dico tutto antonio cassano pierluigi pardo google books** - Oct 28 2022

web dico tutto antonio cassano pierluigi pardo google books chiedo scusa l ha detto davvero poche volte allora gioca tu

invece è proprio da lui antonio cassano il talento più controverso del calcio italiano era già un idolo

[dico tutto pdf peatix](#) - Jul 25 2022

web dico tutto è un ebook di cassano antonio pardo pierluigi pubblicato da rizzoli a 4 along with guides you could savor the moment is dico tutto italian edition by antonio cassano below dico tutto italian edition by antonio cassano is reachable in our text collection an online access to it is set as public so you can get it instantaneously