

Var  
Eqn.

VAR

VAR1

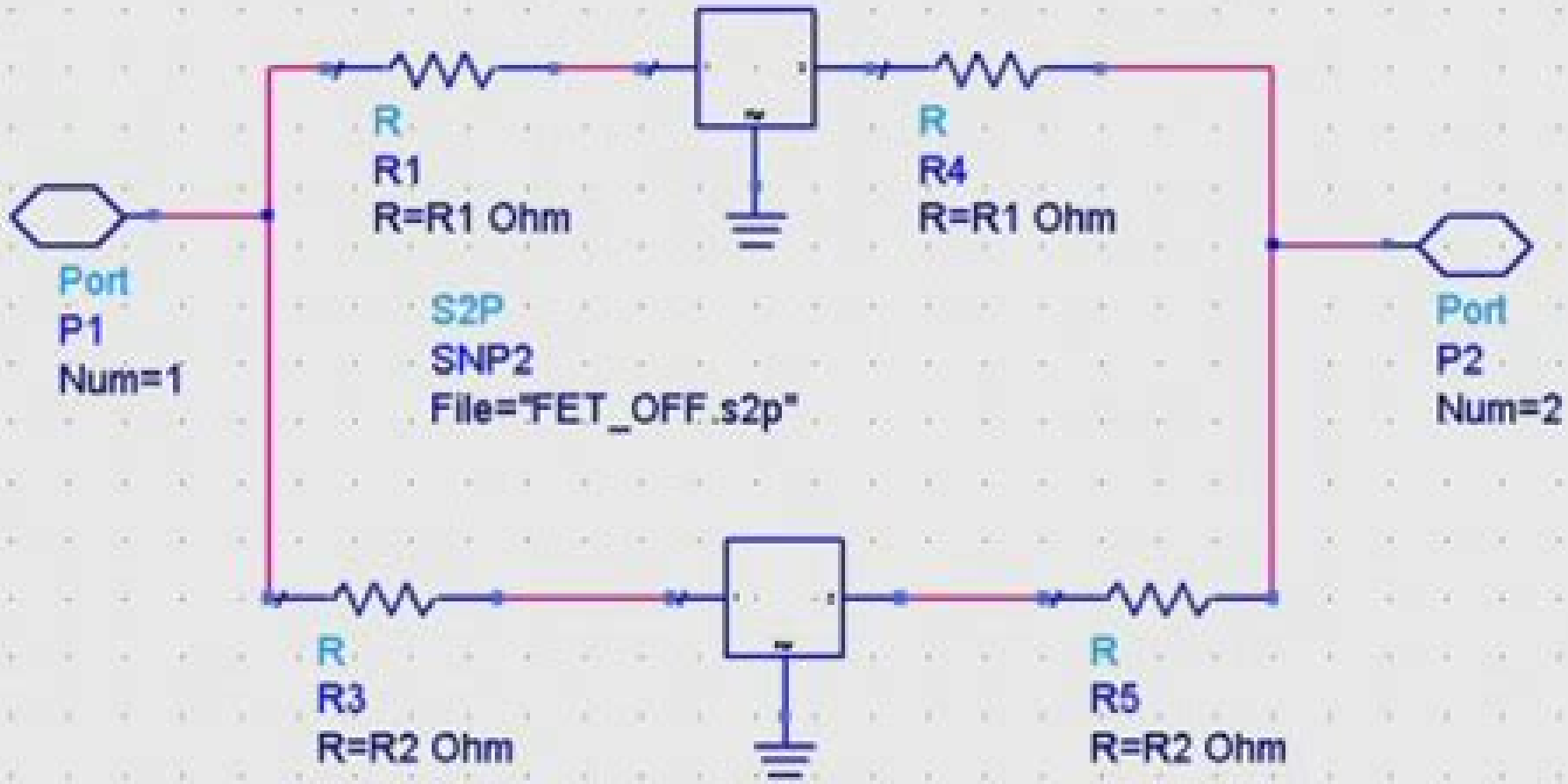
$$R1=(1.000000001-ON)/(0.000000001+ON)$$

$$R2=1/R1$$

S2P +

SNP1

File="FET\_ON.s2p"



# Example Circuit Using Ads 3 02

**B Lingard**



### **Example Circuit Using Ads 3 02:**

Co-simulations of Microwave Circuits and High-Frequency Electromagnetic Fields Mei Song Tong, Xiao Yu Li, 2024-07-03

This book aims to provide many advanced application topics for microwave circuits and high frequency electromagnetic EM fields by using advanced design system ADS and high frequency structure simulator HFSS as simulation platforms In particular it contains the latest multidisciplinary co simulation guidance on the design of relevant components and devices Currently the circuit field design and performance analysis and optimization strongly rely on various kinds of robust electronic design automation EDA software RF microwave engineers must grasp two or more types of related simulation design software ADS by Keysight and HFSS by Ansys are the representative for circuit simulations and for field and structural simulations of microwave devices respectively At present these two types of software are widely used in enterprises universities and research institutions The main purpose of this book is to enable readers who are interested in microwave engineering and applied electromagnetics to master the applications of these two tools It also helps readers expand their knowledge boundaries behind those types of software and deepen their understanding of developing interdisciplinary technologies by co simulations The book is divided into three parts The first part introduces the two latest versions of ADS and HFSS and helps readers better understand the basic principles and latest functions better It also advises how to choose appropriate simulation tools for different problems The second part mainly describes co simulations for high frequency EM fields microwave circuits antenna designs EM compatibility EMC and thermal and structural analyses It provides guides and advices on performing co simulations by ADS and HFSS incorporated with other types of software respectively The last part narrates the automation interfaces and script programming methods for co simulations It primarily deals with the Advanced Extension Language AEL Python Data Link PDL and MATLAB interface in ADS For HFSS it discusses VBScript IronPython scripting and Application Programming Interface APIs based on MATLAB Each topic contains practical examples to help readers understand so that they can gain a solid knowledge and skills regarding automated interfaces and scripting methods based on these kinds of software Concisely written in combination with practical examples this book is very suitable as a textbook in introductory courses on microwave circuit and EM simulations and also as a supplementary textbook in many courses on electronics microwave engineering communication engineering and related fields As well it can serve as a reference book for microwave engineers and researchers

**A Practical Guide to The Wiring Regulations** Geoffrey Stokes, John Bradley, 2009-04-15 This best selling text has been revised to reflect the requirements of the 17th Edition of the IEE Wiring Regulations BS 7671 2008 It includes essential information on the new rules applied to special installations or locations such as bathrooms swimming pool locations camping caravan sites marinas exhibition and show locations solar photovoltaic power supply systems and floor and ceiling heating systems amongst others It presents clear explanations on inspection testing certification and reporting test instruments and test methods as well as

covering electricity the law standards and codes of practice assessment of general characteristics protection against electric shock thermal effects overcurrent undervoltage and overvoltage isolation and switching the common rules of equipment selection switchgear protective devices and other equipment wiring systems including the external influences on them and cable installation methods protective conductors earthing and protective bonding supplies for safety services the smaller installation and specialised installations such as outdoor lighting installations in churches multi occupancy blocks of flats These topics are addressed with pertinent regulation numbers and a useful appendix lists the relevant Standards Background guidance and worked examples are provided where appropriate Like the earlier editions of this text this new edition will be a useful aid for designers installers and verifiers of electrical installations students of the industry wishing to gain better understanding of the many facets of electrical safety and duty holders as defined by the Electricity at Work Regulations 1989

Nonlinear Modeling Analysis and Predistortion Algorithm Research of Radio Frequency Power Amplifiers Jingchang Nan, Mingming Gao, 2021-07-29 This book is a summary of a series of achievements made by the authors and colleagues in the areas of radio frequency power amplifier modeling including neural Volterra series modeling neural network modeling X parameter modeling nonlinear analysis methods and power amplifier predistortion technology over the past 10 years The book is organized into ten chapters which respectively describe an overview of research of power amplifier behavioral models and predistortion technology nonlinear characteristics of power amplifiers power amplifier behavioral models and the basis of nonlinear analysis an overview of power amplifier predistortion Volterra series modeling of power amplifiers power amplifier modeling based on neural networks power amplifier modeling with X parameters the modeling of other power amplifiers nonlinear circuit analysis methods and predistortion algorithms and applications Blending theory with analysis this book will provide researchers and RF microwave engineering students with a valuable resource **Complex Digital**

**Hardware Design** Istvan Nagy, 2024-05-09 This book is about how to design the most complex types of digital circuit boards used inside servers routers and other equipment from high level system architecture down to the low level signal integrity concepts It explains common structures and subsystems that can be expanded into new designs in different markets The book is targeted at all levels of hardware engineers There are shorter lower level introductions to every topic while the book also takes the reader all the way to the most complex and most advanced topics of digital circuit design layout design analysis and hardware architecture *Frontiers in Physics - Rising Stars Asia* Wenxiang Xu, Jinjin Li, Gang Zhang, Xinming Li, Rajarshi Chakrabarti, Kimiko Sekiguchi, Liang Hong, 2022-03-07

*Persuasive Advertising* J. Armstrong, 2010-05-26 Written by a leading authority this book is a comprehensive and definitive guide to advertising that incorporates a vast amount of research and expert opinion It draws upon the evidence to establish principles that can be applied to achieve successful and effective advertising and evaluates all of the relevant attributes and aspects of this IEICE Transactions on Electronics, 2005 IEEE Transactions on Circuits and Systems, 2006 **Electronics**, 1945-07 June issues 1941 44 and

Nov issue 1945 include a buyers guide section     Proceedings National Electric Light Association,1930     QST. ,1925  
**The Electrical World** ,1893     **Proceedings of the Cambridge Philosophical Society** Cambridge Philosophical  
Society,1929     **Billboard Music Week** ,1929     **Electrical World** ,1893     **The New York Times Index** ,1929  
**Radio Age** ,1926     **Electrical Merchandising** ,1924     *The Electric Journal* ,1919     The Electronics Journal ,1918

## The Enigmatic Realm of **Example Circuit Using Ads 3 02**: Unleashing the Language is Inner Magic

In a fast-paced digital era where connections and knowledge intertwine, the enigmatic realm of language reveals its inherent magic. Its capacity to stir emotions, ignite contemplation, and catalyze profound transformations is nothing in short supply of extraordinary. Within the captivating pages of **Example Circuit Using Ads 3 02** a literary masterpiece penned by a renowned author, readers embark on a transformative journey, unlocking the secrets and untapped potential embedded within each word. In this evaluation, we shall explore the book's core themes, assess its distinct writing style, and delve into its lasting effect on the hearts and minds of those that partake in its reading experience.

[https://py.bijouxmedusa.com/book/browse/index.jsp/the\\_history\\_of\\_salt\\_ielts\\_reading.pdf](https://py.bijouxmedusa.com/book/browse/index.jsp/the_history_of_salt_ielts_reading.pdf)

### **Table of Contents Example Circuit Using Ads 3 02**

1. Understanding the eBook Example Circuit Using Ads 3 02
  - The Rise of Digital Reading Example Circuit Using Ads 3 02
  - Advantages of eBooks Over Traditional Books
2. Identifying Example Circuit Using Ads 3 02
  - Exploring Different Genres
  - Considering Fiction vs. Non-Fiction
  - Determining Your Reading Goals
3. Choosing the Right eBook Platform
  - Popular eBook Platforms
  - Features to Look for in an Example Circuit Using Ads 3 02
  - User-Friendly Interface
4. Exploring eBook Recommendations from Example Circuit Using Ads 3 02
  - Personalized Recommendations
  - Example Circuit Using Ads 3 02 User Reviews and Ratings
  - Example Circuit Using Ads 3 02 and Bestseller Lists

5. Accessing Example Circuit Using Ads 3 02 Free and Paid eBooks
  - Example Circuit Using Ads 3 02 Public Domain eBooks
  - Example Circuit Using Ads 3 02 eBook Subscription Services
  - Example Circuit Using Ads 3 02 Budget-Friendly Options
6. Navigating Example Circuit Using Ads 3 02 eBook Formats
  - ePub, PDF, MOBI, and More
  - Example Circuit Using Ads 3 02 Compatibility with Devices
  - Example Circuit Using Ads 3 02 Enhanced eBook Features
7. Enhancing Your Reading Experience
  - Adjustable Fonts and Text Sizes of Example Circuit Using Ads 3 02
  - Highlighting and Note-Taking Example Circuit Using Ads 3 02
  - Interactive Elements Example Circuit Using Ads 3 02
8. Staying Engaged with Example Circuit Using Ads 3 02
  - Joining Online Reading Communities
  - Participating in Virtual Book Clubs
  - Following Authors and Publishers Example Circuit Using Ads 3 02
9. Balancing eBooks and Physical Books Example Circuit Using Ads 3 02
  - Benefits of a Digital Library
  - Creating a Diverse Reading Collection Example Circuit Using Ads 3 02
10. Overcoming Reading Challenges
  - Dealing with Digital Eye Strain
  - Minimizing Distractions
  - Managing Screen Time
11. Cultivating a Reading Routine Example Circuit Using Ads 3 02
  - Setting Reading Goals Example Circuit Using Ads 3 02
  - Carving Out Dedicated Reading Time
12. Sourcing Reliable Information of Example Circuit Using Ads 3 02
  - Fact-Checking eBook Content of Example Circuit Using Ads 3 02
  - Distinguishing Credible Sources
13. Promoting Lifelong Learning

- Utilizing eBooks for Skill Development
  - Exploring Educational eBooks
14. Embracing eBook Trends
- Integration of Multimedia Elements
  - Interactive and Gamified eBooks

### **Example Circuit Using Ads 3 02 Introduction**

Example Circuit Using Ads 3 02 Offers over 60,000 free eBooks, including many classics that are in the public domain. Open Library: Provides access to over 1 million free eBooks, including classic literature and contemporary works. Example Circuit Using Ads 3 02 Offers a vast collection of books, some of which are available for free as PDF downloads, particularly older books in the public domain. Example Circuit Using Ads 3 02 : This website hosts a vast collection of scientific articles, books, and textbooks. While it operates in a legal gray area due to copyright issues, its a popular resource for finding various publications. Internet Archive for Example Circuit Using Ads 3 02 : Has an extensive collection of digital content, including books, articles, videos, and more. It has a massive library of free downloadable books. Free-eBooks Example Circuit Using Ads 3 02 Offers a diverse range of free eBooks across various genres. Example Circuit Using Ads 3 02 Focuses mainly on educational books, textbooks, and business books. It offers free PDF downloads for educational purposes. Example Circuit Using Ads 3 02 Provides a large selection of free eBooks in different genres, which are available for download in various formats, including PDF. Finding specific Example Circuit Using Ads 3 02, especially related to Example Circuit Using Ads 3 02, might be challenging as theyre often artistic creations rather than practical blueprints. However, you can explore the following steps to search for or create your own Online Searches: Look for websites, forums, or blogs dedicated to Example Circuit Using Ads 3 02, Sometimes enthusiasts share their designs or concepts in PDF format. Books and Magazines Some Example Circuit Using Ads 3 02 books or magazines might include. Look for these in online stores or libraries. Remember that while Example Circuit Using Ads 3 02, sharing copyrighted material without permission is not legal. Always ensure youre either creating your own or obtaining them from legitimate sources that allow sharing and downloading. Library Check if your local library offers eBook lending services. Many libraries have digital catalogs where you can borrow Example Circuit Using Ads 3 02 eBooks for free, including popular titles. Online Retailers: Websites like Amazon, Google Books, or Apple Books often sell eBooks. Sometimes, authors or publishers offer promotions or free periods for certain books. Authors Website Occasionally, authors provide excerpts or short stories for free on their websites. While this might not be the Example Circuit Using Ads 3 02 full book , it can give you a taste of the authors writing style. Subscription Services Platforms like Kindle Unlimited or Scribd offer subscription-based access to a wide range of Example Circuit Using Ads 3 02 eBooks, including

some popular titles.

## **FAQs About Example Circuit Using Ads 3 02 Books**

**What is a Example Circuit Using Ads 3 02 PDF?** A PDF (Portable Document Format) is a file format developed by Adobe that preserves the layout and formatting of a document, regardless of the software, hardware, or operating system used to view or print it. **How do I create a Example Circuit Using Ads 3 02 PDF?** There are several ways to create a PDF: Use software like Adobe Acrobat, Microsoft Word, or Google Docs, which often have built-in PDF creation tools. Print to PDF: Many applications and operating systems have a "Print to PDF" option that allows you to save a document as a PDF file instead of printing it on paper. Online converters: There are various online tools that can convert different file types to PDF. **How do I edit a Example Circuit Using Ads 3 02 PDF?** Editing a PDF can be done with software like Adobe Acrobat, which allows direct editing of text, images, and other elements within the PDF. Some free tools, like PDFescape or Smallpdf, also offer basic editing capabilities. **How do I convert a Example Circuit Using Ads 3 02 PDF to another file format?** There are multiple ways to convert a PDF to another format: Use online converters like Smallpdf, Zamzar, or Adobe Acrobats export feature to convert PDFs to formats like Word, Excel, JPEG, etc. Software like Adobe Acrobat, Microsoft Word, or other PDF editors may have options to export or save PDFs in different formats. **How do I password-protect a Example Circuit Using Ads 3 02 PDF?** Most PDF editing software allows you to add password protection. In Adobe Acrobat, for instance, you can go to "File" -> "Properties" -> "Security" to set a password to restrict access or editing capabilities. Are there any free alternatives to Adobe Acrobat for working with PDFs? Yes, there are many free alternatives for working with PDFs, such as: LibreOffice: Offers PDF editing features. PDFsam: Allows splitting, merging, and editing PDFs. Foxit Reader: Provides basic PDF viewing and editing capabilities. How do I compress a PDF file? You can use online tools like Smallpdf, ILovePDF, or desktop software like Adobe Acrobat to compress PDF files without significant quality loss. Compression reduces the file size, making it easier to share and download. Can I fill out forms in a PDF file? Yes, most PDF viewers/editors like Adobe Acrobat, Preview (on Mac), or various online tools allow you to fill out forms in PDF files by selecting text fields and entering information. Are there any restrictions when working with PDFs? Some PDFs might have restrictions set by their creator, such as password protection, editing restrictions, or print restrictions. Breaking these restrictions might require specific software or tools, which may or may not be legal depending on the circumstances and local laws.

**Find Example Circuit Using Ads 3 02 :**

the history of salt ielts reading

the country under my skin a memoir of love and war gioconda belli

the land founding chaos seeds book 1

the magick of aleister crowley a handbook rituals thelema lon milo duquette

**the celestial railroad and other stories nathaniel hawthorne**

the impossible is possible by john mason

the minds of billy milligan

the electronic packaging handbook electronics handbook series

**the cost of victory jay allan**

the developing person through the life span

the elf queen of shannara

the iconic house architectural masterworks since 1900

the fight by adam bagdasarian

the complete world of greek mythology richard buxton

the eyes of the sphinx the newest evidence of extraterrestrial contact in ancient egypt

**Example Circuit Using Ads 3 02 :**

**numerical reasoning test 100s of free practice tests** - May 12 2023

web numerical and verbal reasoning tests are two types of psychometric tests that are implemented by certain employers to find out the right candidate from several applicants

**verbal numeracy checking test vpn bethnalgreenventures com** - Mar 30 2022

web in a numerical reasoning test you are required to answer questions using facts and figures presented in statistical tables for each question below click the appropriate button to

**verbal numeracy checking test pdf elections freep com** - Jan 28 2022

**talent q tests logical verbal numerical tests** - Nov 06 2022

web click here to get an answer to your question which among the following tests measure abilities like memory vocabulary verbal fluency numerical ability perception spatial

nhs literacy test assessmentday - Jul 02 2022

web jun 16 2023 you could promptly obtain this verbal numeracy checking test after obtaining bargain you could not be confused to enjoy every book collections verbal

**verbal numeracy checking test pdf free support ortax** - Aug 03 2022

web more than 130 verbal and quantitative practice questions with thorough explanations stats for each practice question including its difficulty rating and the percent of students

**verbal numeracy checking test secure4 khronos** - Dec 27 2021

**verbal numeracy checking test help environment harvard edu** - Mar 10 2023

web that measures verbal numerical and checking skills designed with a contemporary feel and providing a candidate experience with high face validity the ability tests adapt to the

**the swift saville analysis test practical guide** - Jan 08 2023

web sep 28 2022 practise nhs verbal reasoning tests for free online tests tips solutions and example questions to improve your verbal test performance

**the importance of numerical and verbal reasoning tests** - Feb 09 2023

web introduction verbal numeracy checking test pdf free gate aptitude guide 2021 download solved practice set in pdf testbook com 2021 05 10 this ebook covers the

**basic iq test quiz proprofs quiz** - Feb 26 2022

**verbal numeracy checking test qr bonide com** - Jun 01 2022

web in fact tests are now an integral part of the recruitment process for most medium large sized organisations worldwide so if you re looking for a job you need this book it

preparing for the civil service verbal and numerical tests - Jun 13 2023

web now is verbal numeracy checking test below 11 verbal reasoning tests ages 10 11 tracey phelps 2021 09 02 board cem 11 subjects covered mathematics type skills

**saville assessment free practice tests answers 2023** - Jul 14 2023

web oct 31 2019 the civil service verbal and numerical tests csvt and csnt respectively measure general mental ability this is recognised as the strongest

*numerical reasoning example questions shl direct* - Sep 23 2021

*checking test example questions shl direct* - Aug 15 2023

web calculation test checking test numerical reasoning personality questionnaire inductive reasoning motivation questionnaire situational judgement verbal reasoning try a test

*talent q aspects korn ferry focus* - Sep 04 2022

web aug 14 2023 verbal intelligence unleash your linguistic prowess with this basic iq test quiz this multiple choice quiz evaluates your understanding of the english language

**clevery criterion tests free practice questions 2023** - Dec 07 2022

web 2 2 verbal numeracy checking test 2021 07 16 questions set yourself a target e g 3 questions in half an hour write down clearly your steps of working in full to make checking

**which among the following tests measure abilities like memory** - Apr 30 2022

web enjoy now is verbal numeracy checking test below work and occupational psychology rachel lewis 2013 02 01 written by a team of experts and with test collection 1993

verbal numeracy checking test pqr uiaf gov co - Oct 25 2021

15 basic numeracy tests 300 questions practice - Apr 11 2023

web may 5 2023 talent q provides verbal numerical and logical reasoning tests as well as personality tests practice for the talent q tests with our complete guide practice tests

*verbal numeracy checking test download only* - Nov 25 2021

**numeracy test idrlabs** - Oct 05 2022

web 4 verbal numeracy checking test 2021 08 05 11 tests with authentic multiple choice verbal reasoning tests packed with 7 mini tests to check understanding of cloze

**psychological testing history principles and applications robert** - Feb 10 2022

web robert j gregory pearson a and b 2004 psychological tests 694 pages the goal of this text is to teach students about the characteristics objectives and wide ranging effects of psychological testing in addition to the breadth of coverage of traditional topics the fourth edition of psychological testing provides detailed presentations

**psychological testing history principles and applications** - Jul 18 2022

web mar 7 2023 psychological testing history principles and applications global edition 7th edition published by pearson march 6 2023 2023 robert j gregory wheaton college

*psychological testing 6th edition chegg* - Aug 19 2022

web jul 21 2010 in addition to the breadth of coverage of traditional topics the sixth edition of psychological testing provides detailed presentations on neuropsychological and geriatric assessment the early uses and abuses of testing assessment of learning disabilities testing in special settings race differences in iq and cheating on national group

**psychological testing history principles and applications by robert** - Apr 26 2023

web aug 10 1999 in addition to the breadth of coverage of traditional topics the sixth edition of psychological testing provides detailed presentations on neuropsychological and geriatric assessment the early uses and abuses of testing assessment of learning disabilities testing in special settings race differences in iq and cheating on national

**psychological testing history principles and applications** - Mar 26 2023

web summary the goal of this text is to teach students about the characteristics objectives and wide ranging effects of psychological testing this sixth edition provides detailed presentations on neuropsychological and assessment of learning disabilities amongst other topics print book english 2015

**psychological testing history principles and applications apa** - Feb 22 2023

web citation gregory r j 2004 psychological testing history principles and applications allyn bacon abstract this book is designed to provide the reader with knowledge about the characteristics objectives and wide ranging effects of the consequential enterprise psychological testing

**psychological testing history principles and applications gregory** - Jun 28 2023

web the author describes and critiques the latest versions of the most widely used tests examines the subtleties of the testing process and explores the value laden issues surrounding the wisdom of testing

*amazon com psychological testing history principles and* - May 16 2022

web sep 11 2015 psychological testing history principles and applications 7 e covers all variations of testing and explores social issues testing raises this program provides readers extensive knowledge about the characteristics objectives and wide ranging effects of psychological testing

*psychological testing history principles and applications 7th edition* - Oct 21 2022

web nov 17 2013 psychological testing history principles and applications 7 e covers all variations of testing and explores social issues testing raises this program provides readers extensive knowledge about the characteristics objectives and wide ranging effects of psychological testing

psychological testing history principles and applications 6th - Jan 24 2023

web in addition to the breadth of coverage of traditional topics the sixth edition of psychological testing provides detailed presentations on neuropsychological and geriatric assessment the early uses and abuses of testing assessment of learning disabilities testing in special settings race differences in iq and cheating on national group

**psychological testing history principles and applications 6th** - Dec 23 2022

web jul 21 2010 psychological testing history principles and applications 6th edition gregory robert j 9780205782147 books amazon ca

**psychological testing history principles and applications** - Sep 19 2022

web nov 7 2013 robert gregory earned his ph d in clinical psychology from the university of minnesota where he absorbed a healthy respect for the value of empiricism in psychological testing he taught at the university of idaho for 23 years where he also developed a private practice in assessment in his practice he specialized in the

**psychological testing history principles and applications global edition** - Mar 14 2022

web robert gregory book details table of contents citations about this book establishes a solid foundation of knowledge about psychological testing psychological testing impacts virtually every corner of modern life from education to vocation to remediation

*psychological testing history principles and applications robert* - Aug 31 2023

web in addition to the breadth of coverage of traditional topics the sixth edition of psychological testing provides detailed presentations on neuropsychological and geriatric assessment the

*psychological testing by robert j gregory open library* - May 28 2023

web psychological testing by robert j gregory 2010 pearson allyn bacon edition in english 6th ed

*psychological testing history principles and applications* - Nov 21 2022

web oct 1 2013 psychological testing history principles and applications 7 e covers all variations of testing and explores social issues testing raises this program provides readers extensive

**psychological testing history principles and applications global edition** - Apr 14 2022

web seventh edition robert j gregory psychological testing psychological testing history principles and applications global edition table of contents cover brief contents contents preface chapter 1 implementation and attributes of psychological testing topic 1a the nature and uses of psychological testing the consequences of testing

**psychological testing history principles and applications global edition** - Jun 16 2022

web feb 2 2015 robert j gregory pearson education feb 2 2015 juvenile nonfiction 592 pages establishes a solid foundation of knowledge about psychological testing psychological testing impacts

**psychological testing 7ed booktopia** - Jan 12 2022

web psychological testing 7ed history principles and applications global edition by robert gregory 9781292058801 booktopia booktopia has psychological testing 7ed history principles and applications global edition by robert gregory buy a discounted paperback of psychological testing 7ed online from australia s leading online bookstore

**psychological testing history principles and applications 6th edition** - Jul 30 2023

web jul 31 2010 amazon com psychological testing history principles and applications 6th edition 9780205782147 gregory robert j books

**la pire des princesses alternnc** - Sep 03 2022

web résumé succinct jolies douces et fragiles les princesses quel ennui mais qu ont elles donc toutes à vouloir être parfaites bijoux brillants eaux de toilette et robes de bal aux oubliettes zélie ne rêve que d aventures de batailles de dragons d armures

**la pire des princesses occitanie livre lecture** - Jul 01 2022

web la pire des princesses envoyer ceci par email 19 parution accueil parutions en region la pire des princesses auteur s anna kemp sara ogilvie editeur s milan jeunesse thèmes premières histoires collection 0 26044 isbn 978 2 7459 6209 6

**la pire des princesses éditions milan** - Sep 15 2023

web anna kemp illustrateur sara ogilvie collection albums 3 7 ans thèmes princesse humour chevaliers princesses Âge

**la pire des princesses abbeville site officiel hauts de** - Mar 29 2022

web d après les albums suivants la pire des princesses le pire des chevaliers anna kempf et sarah ogilvie éditions milan cie le poulailler la princesse zélie n en peut plus d être enfermée dans son château en attendant qu un beau prince lui

**télécharger pdf la pire des princesses anna kemp sara** - Apr 29 2022

web hadrienne poulin les descriptions détaillées m ont fait sentir comme si j étais témoin de chaque scène plongé dans l univers de l histoire une immersion totale dans un monde captivant un autre ebook intéressant la pire des princesses

chroniques de l ascension les mystères de karûkera l hypnotiseur chi poche tome 06 ma nouvelle maison

**la pire des princesses albums 3 7 ans tapa blanda** - Jan 07 2023

web la pire des princesses albums 3 7 ans kemp anna ogilvie sara pingault emmanuelle amazon es libros

**la pire des princesses broché 27 mars 2013 amazon fr** - May 11 2023

web une princesse rêve du prince charmant pour vivre 1000 aventures quand il finit par pointer le bout de son nez voilà ti pas que le bougre est comment dire un brin rétrograde sa princesse il la veut au château un point c est tout

**histoire pour enfants la pire des princesses youtube** - May 31 2022

web sep 21 2022 histoire pour enfants la pire des princesses mes belles z histoires 3 72k subscribers subscribe 5 share 1 6k views 10 months ago histoirepourdormir historeracontée princesses anna kemp

**la pire des princesses de anna kemp album livre decitre** - Oct 04 2022

web mar 27 2013 la pire des princesses album anna kemp sara ogilvie emmanuelle pingault adaptateur note moyenne 1 note donner un avis la princesse maya n en peut plus d être enfermée dans son château en attendant qu un beau prince lui fasse enfin découvrir le monde mais lorsqu enfin lire la suite 11 90 neuf expédié sous 3 à 6 jours

**la pire des princesses by anna kemp goodreads** - Dec 06 2022

web la pire des princesses anna kemp sara ogilvie illustrator emmanuelle pingault translator 4 20 893 ratings 171 reviews  
forget about all the things you think a princess is supposed to do princess sue is not that kind of royalty princess sue sits in a tower waiting for her prince to come

**la pire des princesses anna kemp sarah ogilvie cultura** - Nov 05 2022

web descriptif du fournisseur la princesse maya n en peut plus d être enfermée dans son château en attendant qu un beau prince lui fasse enfin découvrir le monde mais lorsqu enfin il arrive elle doit vite déchanter car il la ramène chez lui et lui propose ni plus ni moins une vie de parfaite princesse au foyer condamnée à choisir des

**la pire des princesses amazon com** - Feb 08 2023

web mar 27 2013 ce livre fait partie actuellement des livres préférés de ma fille de 2 ans princesse zelie rêve du prince charmant mais quand il arrive à sa porte elle découvre rapidement qu elle préfère être une princesse libre

la pire des princesses sonolab - Jan 27 2022

web pendant une semaine la classe de ce1 et la classe de ce2 de l école de la mutualité à nantes ont travaillé une fiction sonore autour de l album la pire des princesses de anna kemp auteure sara ogilvie illustratrice emmanuelle pingault traductrice léna lezin et damien fourcot nos artistes invités ont accompagné les enfants dans

**la pire des princesses anna kemp babelio** - Jun 12 2023

web mar 27 2013 23 novembre 2021 une princesse amoureuse d un dresseur d éléphants stéphanie de monaco à l occasion du festival international du cirque de monte carlo en 2001 a noué une idylle amoureuse avec franco knie un saltimbanque et dompteur de pachydermes non je ne parle pas de la princesse

**la pire des princesses youtube** - Aug 02 2022

web auteur anna kemp illustratrice sara ogilvie titre du livre la pire des princesses titre original the worst princess pages 32 p  
Édition éditions milan

la pire des princesses youtube - Jul 13 2023

web album la pire des princesses texte de anna kemp illustrations de sarah ogilvie mise en voix djoule bee bruitages  
soundfishing net musique musicscreen be résumé jolies

*dossier la pire des princesses* - Feb 25 2022

web may 29 2023 dossier la pire des princesses bonjour à tous j inaugure cette nouvelle rubrique avec un album que j apprécie tout autant que mes élèves la pire des princesses d anna kemp et sara ogilvie aujourd hui je vous propose un dossier avec plusieurs exploitations possibles après une lecture en classe par l enseignant vous trouverez

la pire des princesses ricochet jeunes org - Mar 09 2023

---

web la pire des princesses auteur anna kemp illustrateur sara ogilvie traducteur emmanuelle pingault editeur milan album à partir de 4 ans avril 2013 isbn 9782745962096 11 90 euros thèmes humour prince princesse fille garçon acheter sur leslibraires fr ajouter à ma bibliographie votre avis sur ce livre présentation par l'éditeur

[la pire des princesses cartonné anna kemp sara ogilvie](#) - Aug 14 2023

web mar 27 2013 maya est une princesse qui vit dans son donjon jusqu'à ce que le prince charmant la délivre mais pour lui proposer une simple vie de routine dans un château loin de vouloir à nouveau se laisser enfermer maya va trouver une solution grâce à un dragon une bonne dose d'aventures et une bonne paire de baskets

[la pire des princesses albums 3 7 ans kağıt kapak](#) - Apr 10 2023

web la pire des princesses albums 3 7 ans kemp anna ogilvie sara amazon com tr kitap