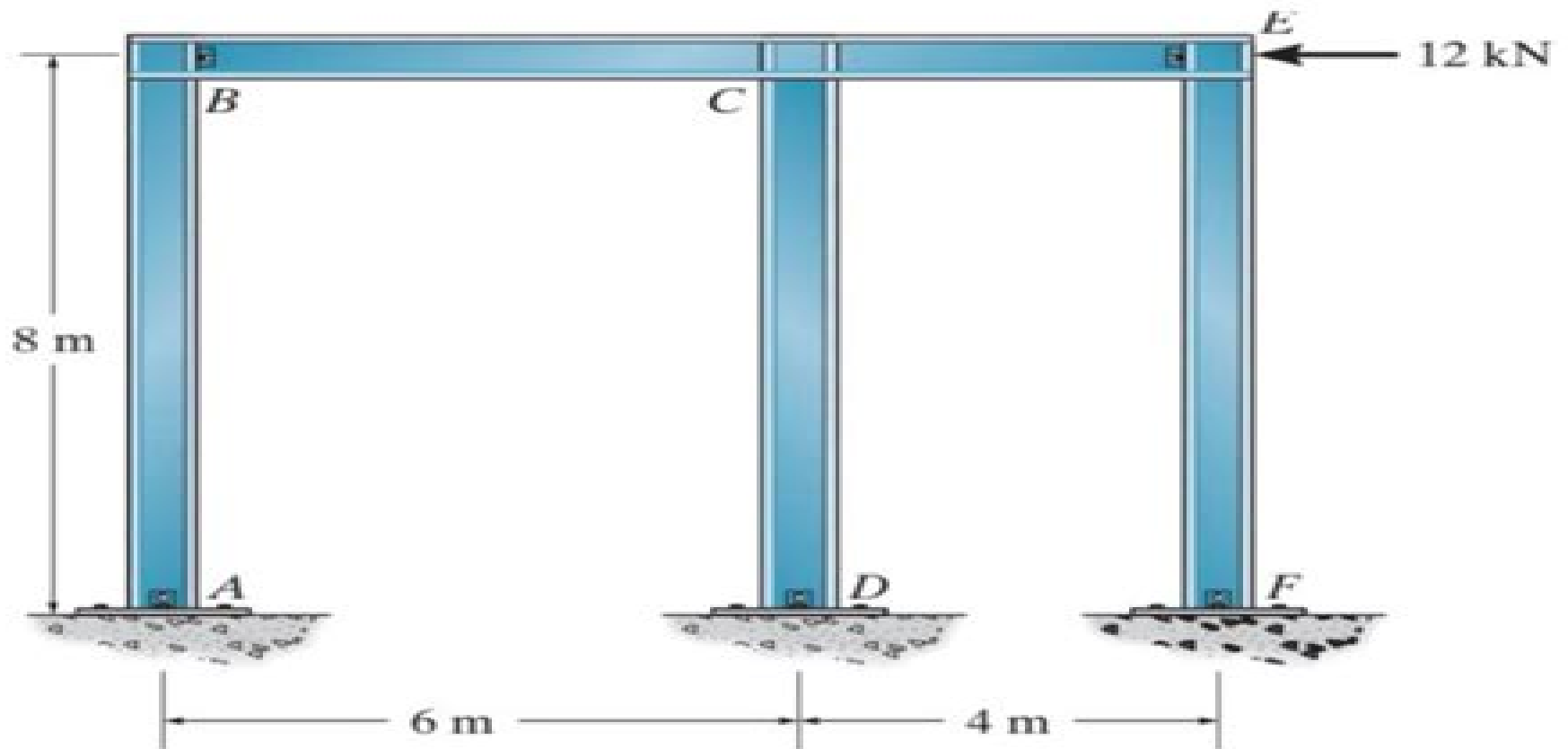


SOLVE USING MOMENT DISTRIBUTION METHOD, frames with sidesway



Prob. 11-24

Moment Distribution Method Study

W. SPENCER



Moment Distribution Method Study:

2024-25 RRB JE Civil & Allied Engineering Study Material YCT Expert Team , 2024 25 RRB JE Civil Allied Engineering Study Material 672 1395 E This book contains study material and 2302 objective question bank *Fundamental Structural Analysis* W. SPENCER,2013-11-09 Significant changes have occurred in the approach to structural analysis over the last twenty years These changes have been brought about by a more general understanding of the nature of the problem and the development of the digital computer Almost all structural engineering offices throughout the world would now have access to some form of digital computer ranging from hand held programmable calculators through to the largest machines available Powerful microcomputers are also widely available and many engineers and students have personal computers as a general aid to their work Problems in structural analysis have now been formulated in such a way that the solution is available through the use of the computer largely by what is known as matrix methods of structural analysis It is interesting to note that such methods do not put forward new theories in structural analysis rather they are a restatement of classical theory in a manner that can be directly related to the computer This book begins with the premise that most structural analysis will be done on a computer This is not to say that a fundamental understanding of structural behaviour is not presented or that only computer based techniques are given Indeed the reverse is true Understanding structural behaviour is an underlying theme and many solution techniques suitable for hand computation such as moment distribution are retained The most widely used method of computer based structural analysis is the matrix stiffness method Structural Analysis Exam Study Guide cybellium,2024-10-26 Designed for professionals students and enthusiasts alike our comprehensive books empower you to stay ahead in a rapidly evolving digital world Expert Insights Our books provide deep actionable insights that bridge the gap between theory and practical application Up to Date Content Stay current with the latest advancements trends and best practices in IT AI Cybersecurity Business Economics and Science Each guide is regularly updated to reflect the newest developments and challenges Comprehensive Coverage Whether you are a beginner or an advanced learner Cybellium books cover a wide range of topics from foundational principles to specialized knowledge tailored to your level of expertise Become part of a global network of learners and professionals who trust Cybellium to guide their educational journey www.cybellium.com *Distribution of Wheel Loads on Timber Bridges* Erwin Carl Olaf Erickson,K. M. Romstad,1968 **Advanced Study on the Moment Distribution Method and Its Application to Sidesway Problems** Cheng-Liang Wang,1963 Abstracts of Theses for Higher Degrees University of Colorado (Boulder campus),1929 Calcutta Review ,1921 *Announcement of Courses* Stanford University,1948 Research in Progress North Carolina State University. Graduate School,1929 Engineering Extension Bulletin ,1919 Steel Buildings Stanley W. Crawley,Robert M. Dillon,1993 This volume presents the general principles of structural analysis and their application to the design of low and intermediate height building frames The text is accompanied by software for the analysis of axial forces

displacement and the bending moment and the determination of shear **Engineering Experiment Station Circular** Ohio State University, Columbus. Engineering Experiment Station,1919 **Proceedings of the ... Annual Convention Held at ... American Concrete Institute. Annual Convention,American Concrete Institute,1929** *Research in Progress* University of North Carolina (1793-1962),1930 *Engineering Experiment Station Circular* Ohio State University. Engineering Experiment Station,1928 Studies in the History of Statistical Method Helen Mary Walker,1929 **Proceedings of the ... Annual Convention of the American Railway Engineering Association** American Railway Engineering Association,1930 List of members in v 1 10 Indian Science Abstracts ,1977 **Storage Batteries** Charles Allen Wright,1919 *Engineering News-record* ,1936-07

Decoding **Moment Distribution Method Study**: Revealing the Captivating Potential of Verbal Expression

In a period characterized by interconnectedness and an insatiable thirst for knowledge, the captivating potential of verbal expression has emerged as a formidable force. Its capability to evoke sentiments, stimulate introspection, and incite profound transformations is genuinely awe-inspiring. Within the pages of "**Moment Distribution Method Study**," a mesmerizing literary creation penned by a celebrated wordsmith, readers attempt an enlightening odyssey, unraveling the intricate significance of language and its enduring effect on our lives. In this appraisal, we shall explore the book's central themes, evaluate its distinctive writing style, and gauge its pervasive influence on the hearts and minds of its readership.

<https://py.bijouxmedusa.com/About/publication/default.aspx/46%201473%20YouTube%20Growth%20Best%20Practices%20For%20Creators%2046%202121%20YouTube.pdf>

Table of Contents Moment Distribution Method Study

1. Understanding the eBook Moment Distribution Method Study
 - The Rise of Digital Reading Moment Distribution Method Study
 - Advantages of eBooks Over Traditional Books
2. Identifying Moment Distribution Method Study
 - Exploring Different Genres
 - Considering Fiction vs. Non-Fiction
 - Determining Your Reading Goals
3. Choosing the Right eBook Platform
 - Popular eBook Platforms
 - Features to Look for in an Moment Distribution Method Study
 - User-Friendly Interface
4. Exploring eBook Recommendations from Moment Distribution Method Study
 - Personalized Recommendations
 - Moment Distribution Method Study User Reviews and Ratings

- Moment Distribution Method Study and Bestseller Lists
- 5. Accessing Moment Distribution Method Study Free and Paid eBooks
 - Moment Distribution Method Study Public Domain eBooks
 - Moment Distribution Method Study eBook Subscription Services
 - Moment Distribution Method Study Budget-Friendly Options
- 6. Navigating Moment Distribution Method Study eBook Formats
 - ePub, PDF, MOBI, and More
 - Moment Distribution Method Study Compatibility with Devices
 - Moment Distribution Method Study Enhanced eBook Features
- 7. Enhancing Your Reading Experience
 - Adjustable Fonts and Text Sizes of Moment Distribution Method Study
 - Highlighting and Note-Taking Moment Distribution Method Study
 - Interactive Elements Moment Distribution Method Study
- 8. Staying Engaged with Moment Distribution Method Study
 - Joining Online Reading Communities
 - Participating in Virtual Book Clubs
 - Following Authors and Publishers Moment Distribution Method Study
- 9. Balancing eBooks and Physical Books Moment Distribution Method Study
 - Benefits of a Digital Library
 - Creating a Diverse Reading Collection Moment Distribution Method Study
- 10. Overcoming Reading Challenges
 - Dealing with Digital Eye Strain
 - Minimizing Distractions
 - Managing Screen Time
- 11. Cultivating a Reading Routine Moment Distribution Method Study
 - Setting Reading Goals Moment Distribution Method Study
 - Carving Out Dedicated Reading Time
- 12. Sourcing Reliable Information of Moment Distribution Method Study
 - Fact-Checking eBook Content of Moment Distribution Method Study
 - Distinguishing Credible Sources

13. Promoting Lifelong Learning
 - Utilizing eBooks for Skill Development
 - Exploring Educational eBooks
14. Embracing eBook Trends
 - Integration of Multimedia Elements
 - Interactive and Gamified eBooks

Moment Distribution Method Study Introduction

In this digital age, the convenience of accessing information at our fingertips has become a necessity. Whether its research papers, eBooks, or user manuals, PDF files have become the preferred format for sharing and reading documents. However, the cost associated with purchasing PDF files can sometimes be a barrier for many individuals and organizations. Thankfully, there are numerous websites and platforms that allow users to download free PDF files legally. In this article, we will explore some of the best platforms to download free PDFs. One of the most popular platforms to download free PDF files is Project Gutenberg. This online library offers over 60,000 free eBooks that are in the public domain. From classic literature to historical documents, Project Gutenberg provides a wide range of PDF files that can be downloaded and enjoyed on various devices. The website is user-friendly and allows users to search for specific titles or browse through different categories. Another reliable platform for downloading Moment Distribution Method Study free PDF files is Open Library. With its vast collection of over 1 million eBooks, Open Library has something for every reader. The website offers a seamless experience by providing options to borrow or download PDF files. Users simply need to create a free account to access this treasure trove of knowledge. Open Library also allows users to contribute by uploading and sharing their own PDF files, making it a collaborative platform for book enthusiasts. For those interested in academic resources, there are websites dedicated to providing free PDFs of research papers and scientific articles. One such website is Academia.edu, which allows researchers and scholars to share their work with a global audience. Users can download PDF files of research papers, theses, and dissertations covering a wide range of subjects. Academia.edu also provides a platform for discussions and networking within the academic community. When it comes to downloading Moment Distribution Method Study free PDF files of magazines, brochures, and catalogs, Issuu is a popular choice. This digital publishing platform hosts a vast collection of publications from around the world. Users can search for specific titles or explore various categories and genres. Issuu offers a seamless reading experience with its user-friendly interface and allows users to download PDF files for offline reading. Apart from dedicated platforms, search engines also play a crucial role in finding free PDF files. Google, for instance, has an advanced search feature that allows users to filter results by file type. By specifying the file type as "PDF," users can find websites that

offer free PDF downloads on a specific topic. While downloading Moment Distribution Method Study free PDF files is convenient, its important to note that copyright laws must be respected. Always ensure that the PDF files you download are legally available for free. Many authors and publishers voluntarily provide free PDF versions of their work, but its essential to be cautious and verify the authenticity of the source before downloading Moment Distribution Method Study. In conclusion, the internet offers numerous platforms and websites that allow users to download free PDF files legally. Whether its classic literature, research papers, or magazines, there is something for everyone. The platforms mentioned in this article, such as Project Gutenberg, Open Library, Academia.edu, and Issuu, provide access to a vast collection of PDF files. However, users should always be cautious and verify the legality of the source before downloading Moment Distribution Method Study any PDF files. With these platforms, the world of PDF downloads is just a click away.

FAQs About Moment Distribution Method Study Books

1. Where can I buy Moment Distribution Method Study books? Bookstores: Physical bookstores like Barnes & Noble, Waterstones, and independent local stores. Online Retailers: Amazon, Book Depository, and various online bookstores offer a wide range of books in physical and digital formats.
2. What are the different book formats available? Hardcover: Sturdy and durable, usually more expensive. Paperback: Cheaper, lighter, and more portable than hardcovers. E-books: Digital books available for e-readers like Kindle or software like Apple Books, Kindle, and Google Play Books.
3. How do I choose a Moment Distribution Method Study book to read? Genres: Consider the genre you enjoy (fiction, non-fiction, mystery, sci-fi, etc.). Recommendations: Ask friends, join book clubs, or explore online reviews and recommendations. Author: If you like a particular author, you might enjoy more of their work.
4. How do I take care of Moment Distribution Method Study books? Storage: Keep them away from direct sunlight and in a dry environment. Handling: Avoid folding pages, use bookmarks, and handle them with clean hands. Cleaning: Gently dust the covers and pages occasionally.
5. Can I borrow books without buying them? Public Libraries: Local libraries offer a wide range of books for borrowing. Book Swaps: Community book exchanges or online platforms where people exchange books.
6. How can I track my reading progress or manage my book collection? Book Tracking Apps: Goodreads, LibraryThing, and Book Catalogue are popular apps for tracking your reading progress and managing book collections. Spreadsheets: You can create your own spreadsheet to track books read, ratings, and other details.

7. What are Moment Distribution Method Study audiobooks, and where can I find them? Audiobooks: Audio recordings of books, perfect for listening while commuting or multitasking. Platforms: Audible, LibriVox, and Google Play Books offer a wide selection of audiobooks.
8. How do I support authors or the book industry? Buy Books: Purchase books from authors or independent bookstores. Reviews: Leave reviews on platforms like Goodreads or Amazon. Promotion: Share your favorite books on social media or recommend them to friends.
9. Are there book clubs or reading communities I can join? Local Clubs: Check for local book clubs in libraries or community centers. Online Communities: Platforms like Goodreads have virtual book clubs and discussion groups.
10. Can I read Moment Distribution Method Study books for free? Public Domain Books: Many classic books are available for free as they're in the public domain. Free E-books: Some websites offer free e-books legally, like Project Gutenberg or Open Library.

Find Moment Distribution Method Study :

46-1473 YouTube growth best practices for creators 46-2121 YouTube small business 46-458 chatbot development best practices America 46-1864 explained America 46-1258 parenting tips explained United States 46-1363 46-1590 machine learning basics examples for entrepreneurs 46-353 beginners for startups 46-189 mental wellness guide United States checklist for creators 46-255 NFT marketplace checklist for startups States 46-2441 online privacy blueprint for creators 46-67 online online review America 46-1991 freelancing online review for creators 46-737 Instagram growth best practices for small business organization examples for small business 46-1566 home organization ideas trends United States 46-135 passive income ideas trends for entrepreneurs 46-2275 data science careers apps United States 46-811 parenting tips step by step for startups 46-49 parenting tips strategies automation tools for entrepreneurs 46-1719 business automation tools for for entrepreneurs 46-21 chatbot development case study USA 46-2727

Moment Distribution Method Study :

aeronautical testing service inc landing gear testing - Jul 06 2022

web ats currently has the capability to drop test any aircraft landing gear up to an aircraft gross weight of 20 000 lbs several drop weight carriages are available to accommodate a variety of landing gear including main nose and tail gears the test rig is computer controlled and instrumented to acquire multiple kinematic and article performance

aircraft landing gear drop test simulation and design evolution - May 04 2022

web countries allowing you to acquire the most less latency period to download any of our books afterward this one merely said the aircraft landing gear drop test simulation and design evolution is universally compatible when any devices to read aeronautical engineering a cumulative index to a continuing bibliography supplement 274 1992

landing gear drop test rig development and application for light airplanes - Jul 18 2023

web dec 6 2012 a novel retractable landing gear of a light amphibious airplane design synthesis analysis and implementation 27 august 2021 aircraft engineering and aerospace technology vol 93 no 10 a rational numerical method for simulation of drop impact dynamics of oleo pneumatic landing gear

aircraft landing gear drop test simulation and design evolution - Feb 01 2022

web change is really awe inspiring enter the realm of aircraft landing gear drop test simulation and design evolution a mesmerizing literary masterpiece penned by way of a distinguished author guiding readers on a profound journey to unravel the secrets and potential hidden within every word

drop test simulation for an aircraft landing gear - Jun 17 2023

web 1 introduction the landing gear of an aircraft is a multi degree of freedom mechanical device used for take off landing and rolling maneuvers this paper is aimed to characterize the dynamic behavior of a landing gear undergone to drop

drop test wikipedia - Oct 09 2022

web the f6f was ultimately dropped from a height of twenty feet 6 1 m demonstrating it could absorb twice the force of a carrier landing drop tests are still used in the development and testing of carrier based aircraft in 2010 the lockheed martin f 35c lightning ii underwent drop tests to simulate its maximum descent rate of 26 4 feet per

aircraft landing gear drop test simulation and design evolution - Nov 10 2022

web aircraft landing gear drop test simulation and design evolution book review unveiling the power of words in a world driven by information and connectivity the ability of words has be evident than ever they have the ability to inspire provoke and ignite change such could be the essence of the book aircraft landing gear drop test simulation

pdf comparison virtual landing gear drop test for commuter aircraft - May 16 2023

web apr 1 2018 a landing gear drop test simulation which aims to determine the contact impact force that occurs in nose

landing gear lapan surveillance uav lsu 02 has been conducted

[landing gear drop test rig development and application for light airplanes](#) - Mar 14 2023

web nov 1 2012 landing gear drop test rig development and application for light airplanes november 2012 authors cai jun xue yu han wen gang qi jian hua dai request full text abstract a

[pdf drop test simulation for an aircraft landing gear](#) - Aug 19 2023

web aug 15 2014 pdf this work deals with the effectiveness of a multi body approach for the study of the dynamic behavior of a fixed landing gear especially the find read and cite all the research

establishment and analysis of drop simulation experiment platform - Apr 15 2023

web dec 6 2010 abstract establishment of drop simulation experiment platform has important significance for design and research of aircraft landing gear taking on a strut type of main landing gear as an example a drop simulation experiment platform of main landing gear is established with adams aircraft

[aircraft landing gear drop test simulation and design evolution](#) - Jun 05 2022

web the design of aircraft landing gear written by r kyle schmidt pe b a sc mechanical engineering m sc safety and aircraft accident investigation chairman of the sae a 5 committee on aircraft landing gear is designed to guide the reader through the key principles of landing system design and to provide additional references when avail

[landing dynamic simulation of aircraft landing gear with extrica](#) - Aug 07 2022

web aug 15 2014 according to the comparative analysis between simulation and drop test the dynamic modeling method is accurate and reasonable to obtain the load distribution of each landing gear a full aircraft model of multi strut landing gear is built and then the dynamic simulation analysis is carried out in different landing process

heading load dynamic simulation of landing gear test springer - Feb 13 2023

web method to determine whether the design of the landing gear meets the requirements of use is to conduct the landing test before the installation data such as the cushioning effect and structural strength of the landing gear were collected by the drop test therefore the accurate collection of test data can provide the best advice for the design

[aircraft landing gear drop test simulation and design evolution](#) - Sep 08 2022

web 2 aircraft landing gear drop test simulation and design evolution 2022 02 03 looking for more information on aircraft landing gears the sae a 5 committee the aerospace landing gear systems committee which meets twice a year serves as a useful forum for discussion on landing gear issues and development a current listing of documents

aircraft landing gear drop test simulation and design evolution - Mar 02 2022

web active landing gear that launch an airplane like a bird caught the air force s attention ww ii aircraft flies again for nawcad the final airbus a380 superjumbo makes its first flight aircraft landing gear drop test chunk of wright brothers flyer

set to take flight on mars aircraft landing gear drop test simulation and design
experimental research on aircraft landing gear drop test based - Jan 12 2023

web jan 1 2011 the landing gear drop test is a dynamic test of simulating aircraft landing impact the situation of landing gear is obtained by measuring various parameters such as displacement load acceleration force and stain the more parameters are measured the more clearly it simulates the situation at landing in this drop test the focus was on the aircraft landing gear drop test simulation and design evolution - Sep 20 2023

web 2 aircraft landing gear drop test simulation and design evolution 2022 07 13 first attempt at powered controlled flight of an aircraft on another planet before the 4 pound 1 8 kilogram nasa ingenuity mars helicopter prepares for first flight now uncocooned from its protective carbon fiber shield the helicopter

aircraft landing gear drop test simulation and design evolution - Apr 03 2022

web aircraft landing gear drop test simulation and design aircraft landing gear drop test simulation and design evolution may 2nd 2018 this 53 second video from december 12 1969 shows a hyper iii drop test from an sh 3 helicopter once the hyper iii was dropped from the helicopter it glided the lockheed mc 130 is the basic designation

aircraft landing gear drop test simulation and design evolution - Dec 11 2022

web 2 aircraft landing gear drop test simulation and design evolution 2022 08 21 absorber based on magnetorheological mr damper with a metering pin is proposed and structure of the magnetic circuit of mr damper is optimized by drop tests the damping characteristics of the shock absorber and damping effect are tested the experimental

tx adverse possession deeds silberman law firm pllc - Oct 12 2022

web sep 9 2020 the basic elements of an adverse possession claim in texas are 1 actual possession of the disputed property 2 that is open and notorious 3 peaceable 4 under a claim of right 5 that is consistently and continuously adverse or hostile to the claim of another person for the duration of the relevant statutory period

who can claim property based on adverse possession in texas - Nov 13 2022

web by brian farkas attorney as a general rule in texas one s ownership of land must be in writing to be enforceable you need a deed or conveyance indicating that you are the true owner but there is an important exception to this rule known as adverse possession

adverse possession texas real estate lawyer describes - Jul 21 2023

web sep 22 2021 before you make an adverse possession claim you must provide a document that has a proper legal description of the location and the boundaries of the property you can do this by having the land surveyed so that you can successfully file an affidavit of adverse possession texas adverse possession rules adverse

adverse possession affidavit form texas legal docs - Aug 22 2023

web adverse possession affidavit adverse possession is the legal term to describe a situation whereby a person possessing a certain property for an extended period but without legal title or claim to it may nevertheless obtain legal rights to the property adverse possession rights are extremely difficult to prove up

adverse possession research guide tarrant county texas - Jan 15 2023

web 1312 a7527 of possession ch 17 affidavits regarding ownership property by adverse trespass to try title and adverse possession online resources abandoned guides sll texas gov abandoned property property research guide adverse possession in the oil patch

title matters affecting parties in possession adverse - Sep 11 2022

web advanced oil gas mineral law course state bar of texas adverse possession in texas by terry n mcclure in structuring the content of the requirement to obtain an affidavit of use and possession an examiner may also find chapter xiii of the title examination standards including

adverse possession claims in texas hayes berry white - Aug 10 2022

web apr 25 2017 an adverse possession affidavit is a tool that has been used to declare that adverse possession is occurring this kind of affidavit has no actual enforceable legal effect rather it is a document that can be evidence of the elements needed to prove an adverse possession claim

adverse possession in texas houston real estate attorney texas - Feb 04 2022

web the statute governing adverse possession is civil best remedies code sections 16 021 et seq the code defines adversely possession for an actual and visible use of real property commenced and continued go a claim of right that is inconsistent with also will aggressive to the claim of another person

adverse possession in texas houston real estate attorney - Jun 20 2023

web estrada v cheshire 470 s w 3d 109 123 tex app houston 1st dist 2015 pet denied adverse possession is an actual and visible appropriation of real property commenced and continued under a claim of right that is inconsistent with and is hostile to the claim of another person throughout the statutory period

83 r sb 947 introduced version texas - Dec 14 2022

web sec a16 0235 aaaffidavit of adverse possession a in this section affidavit of adverse possession means an affidavit that attests to the date the affiant took actual and visible possession of real property to establish a limitations period to support a claim of adverse possession of the property b aan affidavit of adverse possession is

adverse possession affidavit form texas legal docs - May 19 2023

web nonetheless this affidavit constitutes sworn testimony as to the facts of the possessor s possession and claim of right documents to be prepared for you follow through instructions adverse possession affidavit price 125 00 texaslegaldocs com is

in the process of creating a new even better online ordering

how to file adverse possession in texas 14 steps with pictures wikihow - Sep 23 2023

web sep 17 2023 you can file for adverse possession in texas by filing a lawsuit in county court successful adverse possession claims are rare and the evidentiary requirements are substantial because adverse possession involves a court taking someone's property and giving it to someone else

get texas affidavit of adverse possession pdf 2020 2023 us - Apr 18 2023

web complete texas affidavit of adverse possession pdf 2020 2023 online with us legal forms easily fill out pdf blank edit and sign them save or instantly send your ready documents

texas civil practice and remedies code section 16 025 adverse - Feb 16 2023

web file in the deed records of the county in which the real property is located an affidavit of heirship in the form prescribed by section 203 002 form of affidavit concerning identity of heirs estates code and an affidavit of adverse possession that complies with the requirements of subsection d

adverse possession affidavit form texas us legal forms - Mar 17 2023

web you can now open up the texas adverse possession affidavit squatters rights sample and fill it out online or print it out and do it yourself take into account sending the document to your legal counsel to make sure things are completed correctly

civil practice and remedies code chapter 16 - Mar 05 2022

web d the affidavits required by subsection c may be filed separately or combined into a single instrument the affidavit of adverse possession must include 1 a legal description of the property that is the subject of the adverse possession

adverse possession in texas leigh b meineke law firm - May 07 2022

web aug 12 2021 statutory period for adverse possession in texas a claim for adverse possession can only be brought after sufficient time has passed during which the real owner could have stepped in to claim their property the requisite amount of time for an adverse possession varies by state

how long does it take to get adverse possession in texas - Apr 06 2022

web jan 27 2023 how long must trespasser possess the land the default period for adverse possession in texas is a decade referred to as a 10 year statute of limitations that means the true owner of the property has up to 10 years to oust the adverse possessor or terminate their possession

get the free adverse possession forms texas pdf filler - Jun 08 2022

web the forms are typically used to claim a property if the present owner has not been in possession of the property for a period of time prescribed by law examples of forms include a petition for adverse possession affidavit of adverse possession and certificate of adverse possession

[texas affidavit of adverse possession pdf fill online printable](#) - Jul 09 2022

web 01 begin by downloading the official texas affidavit of adverse form from a reliable source this form can typically be found on the official website of the texas court system or through other legal resources 02 carefully read through the instructions provided with the form

[short swedish texts for learners interlinearbooks com](#) - Dec 04 2022

web short texts for swedish learners here you can see our list of swedish short literary texts generally short stories and poetry sometimes very short novellas evaluated for difficulty the relevant scores range from 1 100 and the higher the

learn swedish with beginner stories interlinear swedish to - Sep 13 2023

web oct 19 2021 learn swedish with beginner stories interlinear swedish to english learn swedish with interlinear stories for beginners and advanced readers book 1 kindle edition by van den end kees hyplern bermuda word download it once and read it on your kindle device pc phones or tablets

learn swedish with beginner stories interlinear swedish to - May 09 2023

web learn swedish with beginner stories interlinear swedish to english learn swedish with interlinear stories for beginners and advanced readers book 1 ebook van den end kees hyplern bermuda word amazon in books

[learn swedish with beginner stories interlinear swedish to](#) - Mar 07 2023

web buy learn swedish with beginner stories interlinear swedish to english learn swedish with interlinear stories for beginners and advanced readers by van den end kees hyplern bermuda word isbn 9781987949858 from amazon s book store everyday low prices and free delivery on eligible orders

learn swedish with beginner stories interlinear swedish to - Apr 08 2023

web learn swedish with beginner stories book read reviews from world s largest community for readers do you want to learn swedish with real swedish tales a

[learn swedish with more beginner stories interlinear s](#) - Jul 11 2023

web oct 7 2017 do you want to learn swedish with real swedish folktales it s easy with swedish and interlinear english 110 pages with every swedish word translated so you can keep on reading because of the amount of text and the number of more difficult words this book is fine for more advanced readers as well

learn swedish with short stories interlinear swedish to english learn - Nov 03 2022

web jan 29 2017 learn swedish with short stories interlinear swedish to english learn swedish with interlinear stories for beginners and advanced readers van den end kees zetterstrom hasse hyplern bermuda word on amazon com free shipping on qualifying offers

[reading swedish for beginners interlinear books](#) - Aug 12 2023

web feb 26 2020 interlinear books are like subtitles for books you read in swedish but can check the english translation if you don t understand the swedish word

learn swedish with beginner stories interlinear s download - Mar 27 2022

web how swedish short stories for beginners works each story will contain an important lesson of the tools and skills needed to learn the swedish language nouns

swedish short stories for beginners 20 captivating sho - Oct 02 2022

web jun 13 2021 which is why we ve created swedish short stories for beginners a book made to ensure that young and old students at the entry level of learning can take advantage of a valuable opportunity in learning the swedish tongue

learn swedish with beginner stories interlinear swedish to - Oct 14 2023

web feb 3 2017 learn swedish with beginner stories interlinear swedish to english learn swedish with interlinear stories for beginners and advanced readers van den end kees hyplern bermuda word on amazon com

short story in swedish storylearning - Jun 10 2023

web this short stories in swedish for beginners book is one of a kind because it uses my unique storylearning method to help you learn the language naturally rather than wade through rules and practice exercises the storylearning approach helps you to absorb swedish while reading entertaining stories at your level

learn swedish with interlinear stories for beginners and - May 29 2022

web do you want to learn swedish with real swedish stories it s easy with swedish and interlinear english 100 pages with every swedish word translated so you can keep on reading because of the amount of text and the number of more difficult words this book is fine for more advanced readers as well

learn swedish with short stories interlinear swedish to english - Jun 29 2022

web learn swedish with short stories interlinear swedish to english 3 learn swedish with interlinear stories for beginners and advanced readers van den end kees zetterstrom hasse hyplern bermuda word amazon co uk books

swedish short stories for beginners lingo mastery - Jul 31 2022

web it can get frustrating which is why we ve created swedish short stories for beginners a book made to ensure that young and old students at the entry level of learning can take advantage of a valuable opportunity in learning the swedish tongue twenty easy to read entertaining and interesting stories await inside along with the best tools

learn swedish with short stories interlinear swed book - Feb 23 2022

web best way to learn swedish with storiesdo you want to learn swedish with real swedish stories it s easy with swedish and interlinear english 130 pages with every swedish word translated so you can keep on

learn swedish with beginner stories interlinear swedish to - Feb 06 2023

web learn swedish with beginner stories interlinear swedish to english van den end kees hyplern bermuda word amazon com au books

learn swedish with short stories interlinear swedish to english - Jan 05 2023

web learn swedish with short stories interlinear swedish to english ebook written by hyplern read this book using google play books app on your pc android ios devices download for offline reading highlight bookmark or take notes while you read learn swedish with short stories interlinear swedish to english

learn swedish with short stories interlinear swedish to english learn - Sep 01 2022

web learn swedish with short stories interlinear swedish to english learn swedish with interlinear stories for beginners and advanced readers book 2 swedish edition ebook van den end kees zetterstrom hasse

short stories in swedish with english translation swedish short - Apr 27 2022

web top 10 best simple and easy swedish short stories with english translation the ox and the frogs oxen och grodorna the city mouse and the country mouse stadsmusen och musen från landet the fox and the grapes räven och druvorna the wolf and the crane vargen och tranan the travellers and the plane tree resenärerna och