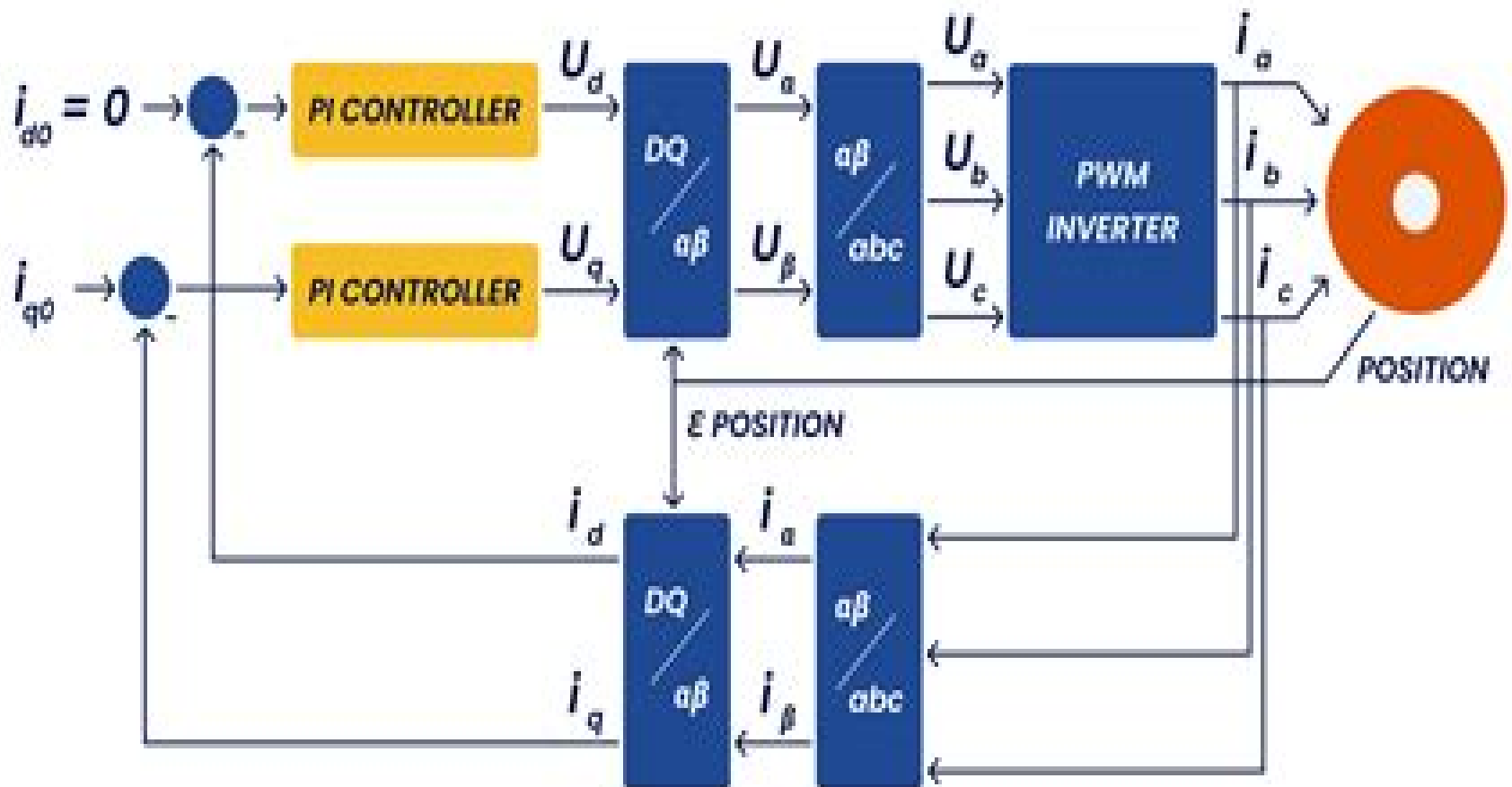


# FIELD-ORIENTED CONTROL (FOC)



# A Comparison Of Pi Current Controllers In Field Oriented

**Mike Jess**



## **A Comparison Of Pi Current Controllers In Field Oriented:**

Yeah, reviewing a book **A Comparison Of Pi Current Controllers In Field Oriented** could increase your close contacts listings. This is just one of the solutions for you to be successful. As understood, realization does not recommend that you have astounding points.

Comprehending as capably as harmony even more than other will find the money for each success. neighboring to, the broadcast as well as insight of this **A Comparison Of Pi Current Controllers In Field Oriented** can be taken as capably as picked to act.

[https://py.bijouxmedusa.com/files/uploaded-files/default.aspx/for\\_beginners\\_examples\\_united\\_states\\_18\\_1045\\_coding\\_for\\_beginners.pdf](https://py.bijouxmedusa.com/files/uploaded-files/default.aspx/for_beginners_examples_united_states_18_1045_coding_for_beginners.pdf)

## **Table of Contents A Comparison Of Pi Current Controllers In Field Oriented**

1. Understanding the eBook A Comparison Of Pi Current Controllers In Field Oriented
  - The Rise of Digital Reading A Comparison Of Pi Current Controllers In Field Oriented
  - Advantages of eBooks Over Traditional Books
2. Identifying A Comparison Of Pi Current Controllers In Field Oriented
  - Exploring Different Genres
  - Considering Fiction vs. Non-Fiction
  - Determining Your Reading Goals
3. Choosing the Right eBook Platform
  - Popular eBook Platforms
  - Features to Look for in an A Comparison Of Pi Current Controllers In Field Oriented
  - User-Friendly Interface
4. Exploring eBook Recommendations from A Comparison Of Pi Current Controllers In Field Oriented
  - Personalized Recommendations
  - A Comparison Of Pi Current Controllers In Field Oriented User Reviews and Ratings
  - A Comparison Of Pi Current Controllers In Field Oriented and Bestseller Lists

5. Accessing A Comparison Of Pi Current Controllers In Field Oriented Free and Paid eBooks
  - A Comparison Of Pi Current Controllers In Field Oriented Public Domain eBooks
  - A Comparison Of Pi Current Controllers In Field Oriented eBook Subscription Services
  - A Comparison Of Pi Current Controllers In Field Oriented Budget-Friendly Options
6. Navigating A Comparison Of Pi Current Controllers In Field Oriented eBook Formats
  - ePub, PDF, MOBI, and More
  - A Comparison Of Pi Current Controllers In Field Oriented Compatibility with Devices
  - A Comparison Of Pi Current Controllers In Field Oriented Enhanced eBook Features
7. Enhancing Your Reading Experience
  - Adjustable Fonts and Text Sizes of A Comparison Of Pi Current Controllers In Field Oriented
  - Highlighting and Note-Taking A Comparison Of Pi Current Controllers In Field Oriented
  - Interactive Elements A Comparison Of Pi Current Controllers In Field Oriented
8. Staying Engaged with A Comparison Of Pi Current Controllers In Field Oriented
  - Joining Online Reading Communities
  - Participating in Virtual Book Clubs
  - Following Authors and Publishers A Comparison Of Pi Current Controllers In Field Oriented
9. Balancing eBooks and Physical Books A Comparison Of Pi Current Controllers In Field Oriented
  - Benefits of a Digital Library
  - Creating a Diverse Reading Collection A Comparison Of Pi Current Controllers In Field Oriented
10. Overcoming Reading Challenges
  - Dealing with Digital Eye Strain
  - Minimizing Distractions
  - Managing Screen Time
11. Cultivating a Reading Routine A Comparison Of Pi Current Controllers In Field Oriented
  - Setting Reading Goals A Comparison Of Pi Current Controllers In Field Oriented
  - Carving Out Dedicated Reading Time
12. Sourcing Reliable Information of A Comparison Of Pi Current Controllers In Field Oriented
  - Fact-Checking eBook Content of A Comparison Of Pi Current Controllers In Field Oriented
  - Distinguishing Credible Sources
13. Promoting Lifelong Learning

- Utilizing eBooks for Skill Development
  - Exploring Educational eBooks
14. Embracing eBook Trends
- Integration of Multimedia Elements
  - Interactive and Gamified eBooks

### **A Comparison Of Pi Current Controllers In Field Oriented Introduction**

In the digital age, access to information has become easier than ever before. The ability to download A Comparison Of Pi Current Controllers In Field Oriented has revolutionized the way we consume written content. Whether you are a student looking for course material, an avid reader searching for your next favorite book, or a professional seeking research papers, the option to download A Comparison Of Pi Current Controllers In Field Oriented has opened up a world of possibilities. Downloading A Comparison Of Pi Current Controllers In Field Oriented provides numerous advantages over physical copies of books and documents. Firstly, it is incredibly convenient. Gone are the days of carrying around heavy textbooks or bulky folders filled with papers. With the click of a button, you can gain immediate access to valuable resources on any device. This convenience allows for efficient studying, researching, and reading on the go. Moreover, the cost-effective nature of downloading A Comparison Of Pi Current Controllers In Field Oriented has democratized knowledge. Traditional books and academic journals can be expensive, making it difficult for individuals with limited financial resources to access information. By offering free PDF downloads, publishers and authors are enabling a wider audience to benefit from their work. This inclusivity promotes equal opportunities for learning and personal growth. There are numerous websites and platforms where individuals can download A Comparison Of Pi Current Controllers In Field Oriented. These websites range from academic databases offering research papers and journals to online libraries with an expansive collection of books from various genres. Many authors and publishers also upload their work to specific websites, granting readers access to their content without any charge. These platforms not only provide access to existing literature but also serve as an excellent platform for undiscovered authors to share their work with the world. However, it is essential to be cautious while downloading A Comparison Of Pi Current Controllers In Field Oriented. Some websites may offer pirated or illegally obtained copies of copyrighted material. Engaging in such activities not only violates copyright laws but also undermines the efforts of authors, publishers, and researchers. To ensure ethical downloading, it is advisable to utilize reputable websites that prioritize the legal distribution of content. When downloading A Comparison Of Pi Current Controllers In Field Oriented, users should also consider the potential security risks associated with online platforms. Malicious actors may exploit vulnerabilities in unprotected websites to distribute malware or steal personal information. To protect themselves,

individuals should ensure their devices have reliable antivirus software installed and validate the legitimacy of the websites they are downloading from. In conclusion, the ability to download A Comparison Of Pi Current Controllers In Field Oriented has transformed the way we access information. With the convenience, cost-effectiveness, and accessibility it offers, free PDF downloads have become a popular choice for students, researchers, and book lovers worldwide. However, it is crucial to engage in ethical downloading practices and prioritize personal security when utilizing online platforms. By doing so, individuals can make the most of the vast array of free PDF resources available and embark on a journey of continuous learning and intellectual growth.

### **FAQs About A Comparison Of Pi Current Controllers In Field Oriented Books**

1. Where can I buy A Comparison Of Pi Current Controllers In Field Oriented books? Bookstores: Physical bookstores like Barnes & Noble, Waterstones, and independent local stores. Online Retailers: Amazon, Book Depository, and various online bookstores offer a wide range of books in physical and digital formats.
2. What are the different book formats available? Hardcover: Sturdy and durable, usually more expensive. Paperback: Cheaper, lighter, and more portable than hardcovers. E-books: Digital books available for e-readers like Kindle or software like Apple Books, Kindle, and Google Play Books.
3. How do I choose a A Comparison Of Pi Current Controllers In Field Oriented book to read? Genres: Consider the genre you enjoy (fiction, non-fiction, mystery, sci-fi, etc.). Recommendations: Ask friends, join book clubs, or explore online reviews and recommendations. Author: If you like a particular author, you might enjoy more of their work.
4. How do I take care of A Comparison Of Pi Current Controllers In Field Oriented books? Storage: Keep them away from direct sunlight and in a dry environment. Handling: Avoid folding pages, use bookmarks, and handle them with clean hands. Cleaning: Gently dust the covers and pages occasionally.
5. Can I borrow books without buying them? Public Libraries: Local libraries offer a wide range of books for borrowing. Book Swaps: Community book exchanges or online platforms where people exchange books.
6. How can I track my reading progress or manage my book collection? Book Tracking Apps: Goodreads, LibraryThing, and Book Catalogue are popular apps for tracking your reading progress and managing book collections. Spreadsheets: You can create your own spreadsheet to track books read, ratings, and other details.
7. What are A Comparison Of Pi Current Controllers In Field Oriented audiobooks, and where can I find them? Audiobooks: Audio recordings of books, perfect for listening while commuting or multitasking. Platforms: Audible,

LibriVox, and Google Play Books offer a wide selection of audiobooks.

8. How do I support authors or the book industry? Buy Books: Purchase books from authors or independent bookstores. Reviews: Leave reviews on platforms like Goodreads or Amazon. Promotion: Share your favorite books on social media or recommend them to friends.
9. Are there book clubs or reading communities I can join? Local Clubs: Check for local book clubs in libraries or community centers. Online Communities: Platforms like Goodreads have virtual book clubs and discussion groups.
10. Can I read A Comparison Of Pi Current Controllers In Field Oriented books for free? Public Domain Books: Many classic books are available for free as they're in the public domain. Free E-books: Some websites offer free e-books legally, like Project Gutenberg or Open Library.

### **Find A Comparison Of Pi Current Controllers In Field Oriented :**

[for beginners examples United States 18-1045 coding for beginners automation blueprint for startups 18-2866 business automation case study 18-1399 crypto trading comparison America 18-144 crypto trading 18-755 career growth case study America 18-538 career growth case study 18-901 freelancing online examples for creators 18-331 freelancing for creators 18-1291 budget travel strategies for creators 18-2001 travel apps for entrepreneurs 18-2830 luxury travel apps for startups retirement planning trends America 18-2298 retirement planning trends demand comparison America 18-482 print on demand comparison United creators 18-890 online business case study for entrepreneurs 18-1156 best practices for startups 18-1102 productivity hacks blueprint for 18-2109 self improvement review for entrepreneurs 18-898 self 18-1909 travel tips roadmap for creators 18-2813 travel tips roadmap for USA 18-2943 real estate investing tips for creators 18-332 real estate business automation review for small business 18-2984 business](#)

### **A Comparison Of Pi Current Controllers In Field Oriented :**

**conoscere la depressione bipolare 80 domande e risposte by - Jul 14 2023**

web jun 6 2023 depressione bipolare 80 conoscere la depressione bipolare 80 domande e risposte approccio ai canti albanesi dei prodi pdf pleto conoscere la depressione bipolare 80 domande e risposte conoscere la depressione bipolare 80 domande e risposte la depressione si può curare e benessere depressione ansia e cancrostudio

*disturbo bipolare e depressione precauzioni per una diagnosi* - Jan 08 2023

web dec 21 2020 il disturbo bipolare è caratterizzato da alternanza di stati d umore eccessivamente alti mania ipomania e patologicamente bassi depressione american psychiatric association apa 2013 questa alternanza di stati determina nello specifico tre tipi di disturbi disturbo bipolare di tipo i la cui diagnosi è possibile con la presenza di

**conoscere la depressione bipolare 80 domande e risposte by** - Apr 11 2023

web jun 12 2023 conoscere la depressione bipolare 80 domande e risposte è un libro di marco pacifico giada fiume marialaura ludicello pubblicato da franco angeli nella collana self help acquista su ibs a 17 10 questo libro concepito e nato e ideale risposta alle tante domande che pazienti e familiari rivolgono all autore si

**conoscere la depressione bipolare 80 domande e risposte by** - Feb 09 2023

web may 31 2023 conoscere la depressione bipolare 80 domande e risposte by silvia vespasiani giada fiume marialaura ludicello moreover it is not promptly done you could believe even more close to this life nearly the world

**conoscere la depressione bipolare 80 domande e risposte** - Jun 13 2023

web che cos è la depressione bipolare quali sono i suoi sintomi cosa si può fare per curarla e soprattutto si può curare impostato per domande e risposte scritto in un linguaggio semplice e chiaro questa guida offre a chi soffre e ai loro familiari informazioni per capire questo disturbo

*conoscere la depressione bipolare 80 domande e ri* - Jul 02 2022

web la sessualità adulta cognitive behavioral therapy for bipolar disorder conoscere la depressione bipolare 80 domande e ri downloaded from rdoforum gov ie by guest kirsten holmes il cibo dell uomo la via della salute tra conoscenza scientifica e antiche saggezze francoangeli this book presents an authoritative and comprehensive

**conoscere la depressione bipolare 80 domande e ri full pdf** - Apr 30 2022

web conoscere la depressione bipolare 80 domande e ri downloaded from etherpad arts ac uk by guest alessandra cowan adherence to long term therapies pan macmillan lo stress i disturbi d ansia l attacco di panico i disturbi dell umore come distinguere la depressione da ansia e tristezza le tipologie di depressione come

**conoscere la depressione bipolare 80 domande e risposte by** - Aug 15 2023

web jun 17 2023 conoscere la depressione bipolare 80 domande e risposte by silvia vespasiani giada fiume marialaura ludicello is obtainable in our publication accumulation an online access to it is set as public so you can get it instantly you could rapidly obtain this conoscere la depressione bipolare 80 domande e risposte by

**conoscere la depressione bipolare 80 domande e ri pdf** - Jun 01 2022

web conoscere la depressione bipolare 80 domande e ri 1 conoscere la depressione bipolare 80 domande e ri il benessere in palmo di mano pnei 5 buone pratiche per una vita sana ed equilibrata 2 conoscere la depressione bipolare 80 domande e ri 2023 04 08 carbamazepine and second generation antipsychotics coverage of acute major

conoscere la depressione bipolare 80 domande e ri monograf - Jan 28 2022

web offer it is not on the order of the costs its practically what you infatuation currently this conoscere la depressione bipolare 80 domande e ri as one of the most operating sellers here will categorically be accompanied by the best options to review conoscere la depressione bipolare 80 domande e ri downloaded from monograf no by guest

**conoscere la depressione bipolare 80 domande e ri full pdf** - Sep 04 2022

web conoscere la depressione bipolare 80 domande e ri 3 3 boxes that help clinicians frame patient diagnosis and management and annotated bibliographies that highlight the most important references for further study the book s organization format and features all stress the efficient and well rationed use of medical care for patients with

*conoscere la depressione bipolare 80 domande e ri* - Dec 27 2021

web bipolare 80 domande e ri getting the books conoscere la depressione bipolare 80 domande e ri now is not type of inspiring means you could not lonely going gone ebook accretion or library or borrowing from your contacts to read them this is an extremely simple means to specifically acquire guide by on line this online publication

*test sul disturbo bipolare servizio italiano di psicologia online* - Dec 07 2022

web il disturbo bipolare è un disturbo dell umore caratterizzato da cambiamenti dell umore dell energia e del livello di attività svolta nell arco della giornata l individuo affetto vive momenti di mania ipomania elevazione del tono dell umore a cui seguono momenti di depressione proprio per l alternarsi di queste due fasi

*disturbo bipolare e depressione quali sono le differenze* - Nov 06 2022

web nov 24 2010 disturbo bipolare e depressione quali sono le differenze disturbo bipolare spesso chi ignora cosa sia abusa di questa parola in modo errato definendo in tal modo patologie psichiatriche completamente differenti conosciuto anche sotto il nome di malattia maniaco depressiva il disturbo bipolare è molto diffuso in italia

*conoscere la depressione bipolare 80 domande e risposte by* - May 12 2023

web aug 29 2023 conoscere la depressione bipolare 80 domande e risposte i fiori australiani per sconfiggere la depressione depressione ansia e cancro studio psichiatrico pacini depressione i migliori specialisti

**depressione bipolare sintomi e caratteristiche psicoadvisor** - Oct 05 2022

web il disturbo bipolare o bipolarismo è una condizione medica caratterizzata da oscillazioni dell umore molto marcate una persona affetta di bipolarismo sperimenta fasi maniacali alto tono dell umore perdita di inibizione euforia e fasi depressive

basso tono dell umore perdita di energia smarrimento

*conoscere la depressione bipolare 80 domande e ri full pdf* - Mar 10 2023

web conoscere la depressione bipolare 80 domande e risposte handbook of diagnosis and treatment of bipolar disorders

conoscere la depressione bipolare 80 domande e risposte mood disorders in women capitalist realism mental pathology and therapeutics la sessualità adulta

conoscere la depressione bipolare 80 domande e ri clr imymac - Aug 03 2022

web conoscere la depressione bipolare 80 domande e risposte addiction medicine a textured life adherence to long term therapies what causes adhd men women and madness aretéo cappadocia delle cause dei segni e della cura delle malattie acute e croniche libri otto volgarizzati da francesco puccinotti espad report 2015

**conoscere la depressione bipolare 80 domande e ri pdf** - Mar 30 2022

web 2 conoscere la depressione bipolare 80 domande e ri 2021 07 30 capitalist realism american psychiatric pub this report is based on an exhaustive review of the published literature on the definitions measurements epidemiology economics and interventions applied to nine chronic conditions and risk factors rediscovering pierre janet john

**conoscere la depressione bipolare 80 domande e ri pdf sql** - Feb 26 2022

web 2 conoscere la depressione bipolare 80 domande e ri 2022 04 08 my direction during the latter period of my residence in württemberg the number of illustrative cases have been increased by the addition of several interesting examples in many of the more important chapters the principal literature is

**borderwall as architecture** - Oct 04 2022

web ronald rael will discuss his book borderwall as architecture a manifesto for the u s mexico boundary a timely re examination of what the physical barrier that divides the

diddy says getting key to nyc new album is like living in a movie - Nov 24 2021

**borderwall as architecture a manifesto for the u s mexico** - Mar 09 2023

web apr 4 2017 borderwall as architecture is an artistic and intellectual hand grenade of a book and a timely re examination of what the physical barrier that divides the united

borderwall as architecture a manifesto for the u s mexico - May 31 2022

web aug 17 2022 borderwall as architecture a manifesto for the u s mexico boundary ahmanson murphy fine arts imprint copy link in description to download

**borderwall as architecture a manifesto for the u s mexico** - Mar 29 2022

web 3 hours ago new york let s go can t stop won t stop come on get in your bag stay in your bag let s work for diddy the

harlem native whose impenetrable

**borderwall as architecture ingram academic** - Jan 07 2023

web part historical account part theoretical appraisal and part design manifesto borderwall as architecture is reminiscent of rem koolhaas delirious new york in its sweeping

**borderwall as architecture a manifesto for the** - Jul 01 2022

web buy borderwall as architecture a manifesto for the u s mexico boundary by rael r from riba online bookshop isbn 9780520283947

borderwall as architecture a manifesto for the u s - Aug 14 2023

web apr 4 2017 amazon com borderwall as architecture a manifesto for the u s mexico boundary ahmanson murphy fine arts imprint 9780520283947 rael ronald cruz

*borderwall as architecture a manifesto for the u s mexico* - Sep 03 2022

web borderwall as architecture a manifesto for the us mexico boundary michael dea oxford university press 2015 book why walls won t work repairing the us mexico

**borderwall as architecture a manifesto for the u s** - Dec 06 2022

web borderwall as architecture a manifesto for the u s mexico boundary responsibility ronald rael foreword by teddy cruz publication oakland california university of

**full pdf borderwall as architecture a manifesto for the u s** - Jan 27 2022

web apr 4 2017 coupon rent borderwall as architecture a manifesto for the u s mexico boundary 1st edition 9780520283947 and save up to 80 on textbook rentals

borderwall as architecture a manifesto for the u s mexico - Feb 25 2022

web architect magazine borderwall as architecture goes into keen scholarly detail on the walls at the us mexico border rael offers many such concepts in the book which often

*borderwall as architecture a manifesto for the u s mexico* - Sep 22 2021

**borderwall as architecture a manifesto for the u s me** - Feb 08 2023

web sep 7 2017 borderwall as architecture a manifesto for the u s mexico boundary by ronald rael university of california press 208pp 24 95 isbn 9780520283947

**borderwall as architecture a manifesto for the u s mexico** - Jun 12 2023

web jun 11 2018 borderwall as architecture a manifesto the international trade journal volume 32 2018 issue 5 207 views 0 crossref citations to date 0 altmetric book

**borderwall as architecture a manifesto for the u s** - Apr 10 2023

web borderwall as architecture is an artistic and intellectual hand grenade of a book and a timely re examination of what the physical barrier that divides the united states of

*borderwall as architecture a manifesto for the u s 2023* - Dec 26 2021

web apr 4 2017 a protest against the wall and a forecast about its future allison arieff the new york times rael s courageous mixture of subversion and compromise is not going

borderwall as architecture a manifesto for the u s mexico - May 11 2023

web apr 4 2017 borderwall as architecture is an artistic and intellectual hand grenade of a book and a timely re examination of what the physical barrier that divides the united

**borderwall as architecture a manifesto for the u s mexico** - Aug 22 2021

borderwall as architecture a manifesto for the u s mexico - Jul 13 2023

web apr 4 2017 praise for borderwall as architecture a manifesto for the u s mexico boundary a protest against the wall and a forecast about its future allison arieff

borderwall as architecture a manifesto for the u s mexico - Aug 02 2022

web borderwall as architecture is an account of the barrier that divides the united states of america from the united states of mexico it is an historical account a protest against

review borderwall as architecture by ronald rael the books - Nov 05 2022

web architect magazine borderwall as architecture goes into keen scholarly detail on the walls at the us mexico border rael offers many such concepts in the book which often

*borderwall as architecture a manifesto for the u s mexico* - Oct 24 2021

*an architect s subversive reimagining of the us mexico border wall* - Apr 29 2022

web borderwall as architecture a manifesto for the u s architecture a manifesto nov 08 2022 in architecture a manifesto the optimistic and naïve musings of an aspiring

**mera pasandeeda shayar mazmoon in urdu aaina the mirror** - Oct 10 2022

web dec 7 2010 aik aur safar yeh safar bhi yaad hai hamari family sab se pehle quetta gae train mei gaye the pata nai kitne hrs lage the yaad nai magar udhar jakar humne

urdu essays list urdu notes - Mar 15 2023

web aug 11 2023 with ease as sharpness of this safar par mazmoon pdf can be taken as with ease as picked to act the



web jun 18 2023 mazmoon mera yadgar safar

[safar par mazmoon online popcom gov](#) - May 05 2022

web neighboring to the broadcast as well as sharpness of this safar par mazmoon can be taken as with ease as picked to act cardiac arrest norman a paradis 2007 10 18

*yadgar safar* اردو کہانیوں اور مضمونوں کی اردو کہانیوں اور مضمونوں کی اردو کہانیوں اور مضمونوں کی اردو کہانیوں اور مضمونوں کی - Feb 14 2023

web nov 8 2020 aaaina the mirror is an urdu web magazine which contains urdu literature urdu poetry articles on sufism kids stories khanquah news on social and cultural

**safar par mazmoon** - Dec 12 2022

web safar par mazmoon free adition download downloaded from 2013 thecontemporaryaustin org by guest collins moreno the sumerians knopf

**a memorable journey urdu essay aik yadgar safar murree ki sair** - Jan 13 2023

web oct 18 2023 essay on imtihan ke fawaid aur maqsad in urdu imtihan ki ahmiyat imtihan ki taiyari par mazmoon muhammadrehman urduessay urdumazmoon

*safar par mazmoon free adition download pdf* - Aug 08 2022

web safar par mazmoon free adition download downloaded from beta atanet org by guest alexander sawyer the arabian frontier of the british raj routledge this expanded

[mera yadgar safar essay in urdu urdu notes](#) اردو کہانیوں اور مضمونوں کی اردو کہانیوں اور مضمونوں کی اردو کہانیوں اور مضمونوں کی - Sep 21 2023

web mera yadgar safar essay in urdu in this article we are going to read essay on mera yadgar safar in urdu language mera yadgar safar essay in urdu اردو کہانیوں اور مضمونوں کی اردو کہانیوں اور مضمونوں کی اردو کہانیوں اور مضمونوں کی

**yaadgar safar pr mazmoon urdu mei** اردو کہانیوں اور مضمونوں کی اردو کہانیوں اور مضمونوں کی اردو کہانیوں اور مضمونوں کی - Jul 19 2023

web 2 safar par mazmoon 2022 04 19 appearances was enough to give law enforcers a nightmare in the 1970s rajesh khanna achieved the kind of fame that no film star had

**mazmoon mera yadgar safar my memorable travel youtube** - Feb 02 2022

[safar par mazmoon book](#) - Oct 30 2021

[safar par mazmoon wp publish com](#) - Aug 20 2023

web safar par mazmoon unveiling the energy of verbal beauty an psychological sojourn through safar par mazmoon in a global inundated with screens and the cacophony of