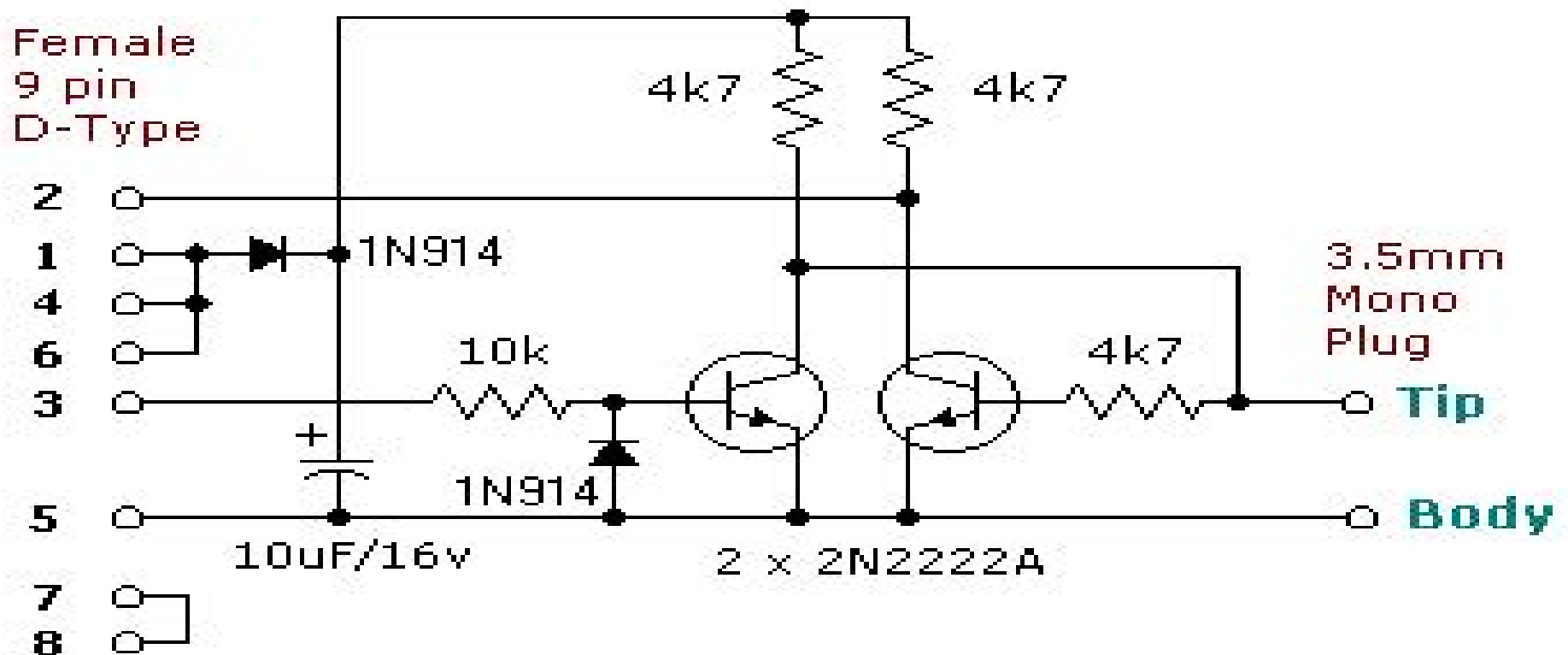
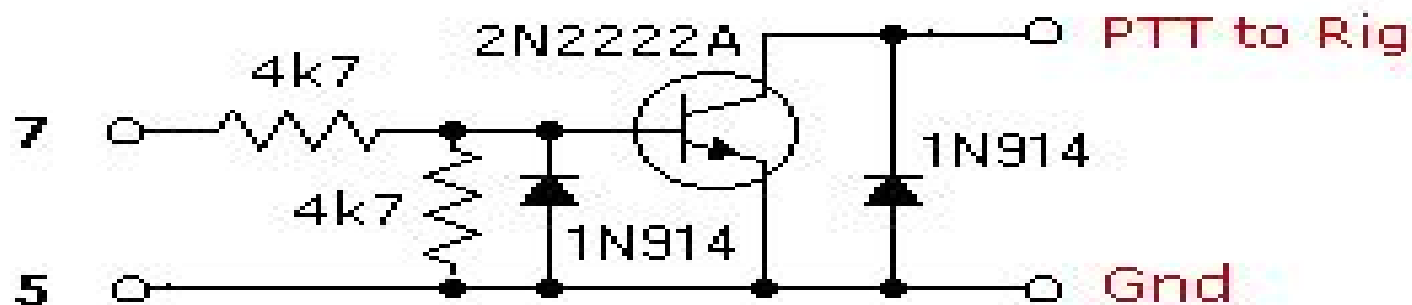


Icom CI-V Interface



Additional Circuitry to provide PTT from RTS



Icom Ci V Interface Guide Xggcomms

George L Reyes



Icom Ci V Interface Guide Xggcomms:

ICOM IC-7610 User Guide For Beginners George L Reyes, 2025-08-08 Unlock the Full Power of Your Icom IC 7610 Even If You're New to SDR or HF Radio Operation You've invested in one of the most advanced SDR transceivers in the amateur radio world the Icom IC 7610 But instead of feeling in control you're swamped with touchscreen menus digital filters scope settings audio shaping tools and integration options that feel like they need an engineering degree You're not alone Even experienced hams and contesters often struggle to harness the full capabilities of this radio That's exactly why this guide was written Icom IC 7610 User Guide For Beginners is a clear step by step companion built to turn confusion into clarity and transform you from a basic operator into a confident station commander No complex manuals No intimidating jargon Just practical advice system breakdowns expert tips and real world setups to help you master this powerful rig from the inside out Inside you'll learn how to Navigate the touchscreen interface scope tools and soft keys with precision and speed Configure receive filters RF gain bandwidth shaping and noise reduction for optimal clarity Set up FT8 PSK31 RTTY and other digital modes with clean audio and effective software control Use the built in dual receiver audio scope and waterfall display like a seasoned DXer Connect your IC 7610 to a PC via USB Ethernet and CI V for full remote control and logging Assign macros memory keyers and SSB voice playback for contesting and pileup performance Customize mic gain EQ compression and voice monitor for rich clear transmissions Integrate accessories like foot switches tuners panadapters and USB audio interfaces Troubleshoot issues like TX loss USB detection overheating and backup errors Save and restore profiles update firmware and future proof your settings with confidence And follow a complete station setup from cabling and grounding to digital mode logging and PC audio routing Whether you're chasing rare DX planning your first field contest building a clean remote station or simply want to get the most out of every session this guide gives you the clarity and structure you need Icom IC 7610 User Guide For Beginners is the perfect match for new owners returning hams or anyone who wants a friendly no fluff roadmap to fully mastering their radio No guesswork No frustration Just real radio success Take your Icom IC 7610 from overwhelming to empowering and turn every dial every signal and every QSO into an experience worth remembering

Disclaimer This is an independent publication created for educational purposes It is not affiliated with sponsored by or endorsed by Icom Inc All product names trademarks and registered trademarks are the property of their respective owners

Ignite the flame of optimism with is motivational masterpiece, Fuel Your Spirit with **Icom Ci V Interface Guide Xggcomms** . In a downloadable PDF format (PDF Size: *), this ebook is a beacon of encouragement. Download now and let the words propel you towards a brighter, more motivated tomorrow.

<https://py.bijouxmedusa.com/data/publication/HomePages/entrepreneurs%2026%202667%20seo%20strategy%20tools%20for%20startups%2026%201132%20seo.pdf>

Table of Contents Icom Ci V Interface Guide Xggcomms

1. Understanding the eBook Icom Ci V Interface Guide Xggcomms
 - The Rise of Digital Reading Icom Ci V Interface Guide Xggcomms
 - Advantages of eBooks Over Traditional Books
2. Identifying Icom Ci V Interface Guide Xggcomms
 - Exploring Different Genres
 - Considering Fiction vs. Non-Fiction
 - Determining Your Reading Goals
3. Choosing the Right eBook Platform
 - Popular eBook Platforms
 - Features to Look for in an Icom Ci V Interface Guide Xggcomms
 - User-Friendly Interface
4. Exploring eBook Recommendations from Icom Ci V Interface Guide Xggcomms
 - Personalized Recommendations
 - Icom Ci V Interface Guide Xggcomms User Reviews and Ratings
 - Icom Ci V Interface Guide Xggcomms and Bestseller Lists
5. Accessing Icom Ci V Interface Guide Xggcomms Free and Paid eBooks
 - Icom Ci V Interface Guide Xggcomms Public Domain eBooks
 - Icom Ci V Interface Guide Xggcomms eBook Subscription Services
 - Icom Ci V Interface Guide Xggcomms Budget-Friendly Options

6. Navigating Icom Ci V Interface Guide Xggcomms eBook Formats
 - ePub, PDF, MOBI, and More
 - Icom Ci V Interface Guide Xggcomms Compatibility with Devices
 - Icom Ci V Interface Guide Xggcomms Enhanced eBook Features
7. Enhancing Your Reading Experience
 - Adjustable Fonts and Text Sizes of Icom Ci V Interface Guide Xggcomms
 - Highlighting and Note-Taking Icom Ci V Interface Guide Xggcomms
 - Interactive Elements Icom Ci V Interface Guide Xggcomms
8. Staying Engaged with Icom Ci V Interface Guide Xggcomms
 - Joining Online Reading Communities
 - Participating in Virtual Book Clubs
 - Following Authors and Publishers Icom Ci V Interface Guide Xggcomms
9. Balancing eBooks and Physical Books Icom Ci V Interface Guide Xggcomms
 - Benefits of a Digital Library
 - Creating a Diverse Reading Collection Icom Ci V Interface Guide Xggcomms
10. Overcoming Reading Challenges
 - Dealing with Digital Eye Strain
 - Minimizing Distractions
 - Managing Screen Time
11. Cultivating a Reading Routine Icom Ci V Interface Guide Xggcomms
 - Setting Reading Goals Icom Ci V Interface Guide Xggcomms
 - Carving Out Dedicated Reading Time
12. Sourcing Reliable Information of Icom Ci V Interface Guide Xggcomms
 - Fact-Checking eBook Content of Icom Ci V Interface Guide Xggcomms
 - Distinguishing Credible Sources
13. Promoting Lifelong Learning
 - Utilizing eBooks for Skill Development
 - Exploring Educational eBooks
14. Embracing eBook Trends
 - Integration of Multimedia Elements

- Interactive and Gamified eBooks

Icom Ci V Interface Guide Xggcomms Introduction

In today's digital age, the availability of Icom Ci V Interface Guide Xggcomms books and manuals for download has revolutionized the way we access information. Gone are the days of physically flipping through pages and carrying heavy textbooks or manuals. With just a few clicks, we can now access a wealth of knowledge from the comfort of our own homes or on the go. This article will explore the advantages of Icom Ci V Interface Guide Xggcomms books and manuals for download, along with some popular platforms that offer these resources. One of the significant advantages of Icom Ci V Interface Guide Xggcomms books and manuals for download is the cost-saving aspect. Traditional books and manuals can be costly, especially if you need to purchase several of them for educational or professional purposes. By accessing Icom Ci V Interface Guide Xggcomms versions, you eliminate the need to spend money on physical copies. This not only saves you money but also reduces the environmental impact associated with book production and transportation. Furthermore, Icom Ci V Interface Guide Xggcomms books and manuals for download are incredibly convenient. With just a computer or smartphone and an internet connection, you can access a vast library of resources on any subject imaginable. Whether you're a student looking for textbooks, a professional seeking industry-specific manuals, or someone interested in self-improvement, these digital resources provide an efficient and accessible means of acquiring knowledge. Moreover, PDF books and manuals offer a range of benefits compared to other digital formats. PDF files are designed to retain their formatting regardless of the device used to open them. This ensures that the content appears exactly as intended by the author, with no loss of formatting or missing graphics. Additionally, PDF files can be easily annotated, bookmarked, and searched for specific terms, making them highly practical for studying or referencing. When it comes to accessing Icom Ci V Interface Guide Xggcomms books and manuals, several platforms offer an extensive collection of resources. One such platform is Project Gutenberg, a nonprofit organization that provides over 60,000 free eBooks. These books are primarily in the public domain, meaning they can be freely distributed and downloaded. Project Gutenberg offers a wide range of classic literature, making it an excellent resource for literature enthusiasts. Another popular platform for Icom Ci V Interface Guide Xggcomms books and manuals is Open Library. Open Library is an initiative of the Internet Archive, a non-profit organization dedicated to digitizing cultural artifacts and making them accessible to the public. Open Library hosts millions of books, including both public domain works and contemporary titles. It also allows users to borrow digital copies of certain books for a limited period, similar to a library lending system. Additionally, many universities and educational institutions have their own digital libraries that provide free access to PDF books and manuals. These libraries often offer academic texts, research papers, and technical manuals, making them invaluable resources for students and researchers. Some notable examples include MIT OpenCourseWare,

which offers free access to course materials from the Massachusetts Institute of Technology, and the Digital Public Library of America, which provides a vast collection of digitized books and historical documents. In conclusion, Icom Ci V Interface Guide Xggcomms books and manuals for download have transformed the way we access information. They provide a cost-effective and convenient means of acquiring knowledge, offering the ability to access a vast library of resources at our fingertips. With platforms like Project Gutenberg, Open Library, and various digital libraries offered by educational institutions, we have access to an ever-expanding collection of books and manuals. Whether for educational, professional, or personal purposes, these digital resources serve as valuable tools for continuous learning and self-improvement. So why not take advantage of the vast world of Icom Ci V Interface Guide Xggcomms books and manuals for download and embark on your journey of knowledge?

FAQs About Icom Ci V Interface Guide Xggcomms Books

How do I know which eBook platform is the best for me? Finding the best eBook platform depends on your reading preferences and device compatibility. Research different platforms, read user reviews, and explore their features before making a choice. Are free eBooks of good quality? Yes, many reputable platforms offer high-quality free eBooks, including classics and public domain works. However, make sure to verify the source to ensure the eBook credibility. Can I read eBooks without an eReader? Absolutely! Most eBook platforms offer web-based readers or mobile apps that allow you to read eBooks on your computer, tablet, or smartphone. How do I avoid digital eye strain while reading eBooks? To prevent digital eye strain, take regular breaks, adjust the font size and background color, and ensure proper lighting while reading eBooks. What the advantage of interactive eBooks? Interactive eBooks incorporate multimedia elements, quizzes, and activities, enhancing the reader engagement and providing a more immersive learning experience. Icom Ci V Interface Guide Xggcomms is one of the best book in our library for free trial. We provide copy of Icom Ci V Interface Guide Xggcomms in digital format, so the resources that you find are reliable. There are also many Ebooks of related with Icom Ci V Interface Guide Xggcomms. Where to download Icom Ci V Interface Guide Xggcomms online for free? Are you looking for Icom Ci V Interface Guide Xggcomms PDF? This is definitely going to save you time and cash in something you should think about.

Find Icom Ci V Interface Guide Xggcomms :

entrepreneurs 26-2667 SEO strategy tools for startups 26-1132 SEO
[travel apps for startups 26-2489 luxury travel best practices United](#)

best practices for small business 26-2321 cybersecurity blueprint USA

26-2273 mobile app ideas case study for small business 26-2524 mobile

26-508 real estate investing checklist for creators 26-1035 real estate

review United States 26-1092 business automation review for

basics for beginners for small business 26-1039 machine learning basics

startup funding tips for entrepreneurs 26-862 startup funding tools

work tools America 26-2556 remote work tools for creators 26-1097 remote

26-2935 passive income ideas guide for entrepreneurs 26-628 passive

for creators 26-216 passive income ideas examples for entrepreneurs

ideas for small business 26-1658 interview tips ideas for startups

small business 26-2961 electric vehicles ideas USA 26-2140 electric

affiliate marketing explained for creators 26-1590 affiliate marketing

NFT marketplace software for creators 26-297 NFT marketplace step by

Icom Ci V Interface Guide Xggcomms :

dinli 801 manual yunqian info - Oct 13 2021

web dinli 801 manual all usermanuals com your user manuals search service incorporate all the steps you need to follow whilst installing or operating any product before starting up

typhoon blokhuis aps atv reservedele - Dec 27 2022

web typhoon blokhuis aps atv reservedele

dinli jp 50 manual - Jan 28 2023

web jun 2 2017 dinli jp 50 manual a collection of manuals and instructions related to firearms handheld weapons and other related products includes scanned manuals

dinli dl 501 dino service manual - Oct 05 2023

web title microsoft word dinli dl 501 dino service manual doc author robert created date 12 16 2005 12 25 18

dinli manual - Feb 26 2023

web mar 24 2022 dinli manual your manual is processed by our team in priority order for a fee of 50 we will expedite the delivery of your instruction manual if you dont wish to

dinli 502 manual - Feb 14 2022

web thanks to all usermanuals com you are no longer alone in your search for an user guide or manual dinli 502 manual

manual pollination soybean mamiya sekor 528tl camera

dinli dl 801 user manual free download borrow and - Apr 30 2023

web dinli dl 801 user manual topics manualzz manuals dl 801 dinli user manuals dinli service manuals dl 801 pdf download dl 801 instructions dinli dl 801 manual null

dinli centhor 700 owners manual en pdf free download - Apr 18 2022

web 1 owner s manual potential hazard given the realities of sport utility quads and or the limits of your own riding abilities you may lose control the limits are

dinli dmx 450 manuals user guides - Jun 20 2022

web dinli dmx 450 manuals user guides user manuals guides and specifications for your dinli dmx 450 offroad vehicle database contains 1 dinli dmx 450 manuals available

dinli dl 90cc owner s manual pdf download manualslib - Nov 25 2022

web view and download dinli dl 90cc owner s manual online dl 90cc offroad vehicle pdf manual download also for dl 110cc dl 50cc dl 100cc

goodbye green bubbles the android user s survival guide in - Dec 15 2021

web oct 28 2023 resize it is hard being the green bubble guy timofey galyukov has often felt digital exclusion since he got his first smartphone in 2016 an android powered

dinli dl 801 manuals manualslib - Jun 01 2023

web manuals and user guides for dinli dl 801 we have 1 dinli dl 801 manual available for free pdf download service manual dinli dl 801 service manual 122 pages 270 cc

style guide technical content a to z guidance gov uk - Nov 13 2021

web 2 days ago the technical content style guide covers the style structure and terms you should use when writing content for technical users on gov uk show all sections

dinli user guide cyberlab sutd edu sg - Aug 03 2023

web dinli user guide environmental governance in vietnam oct 11 2021 this book deals with institutional reforms in response to a mounting environmental crisis in vietnam the

dinli dl 100cc manuals user guides - Mar 18 2022

web dinli dl 100cc manuals user guides user manuals guides and specifications for your dinli dl 100cc offroad vehicle database contains 1 dinli dl 100cc manuals

dinli dl 50cc owner s manual manualzz - Sep 04 2023

web owner s manual dinli dl 50cc owner s manual 4 owner s manual for dinli atv 50 110 cc i preface dear dinli atv users

before the delivery of each new vehicle

dinli 901 manual - Jul 22 2022

web dinli 901 manual dfsort manual inorganic chemistry lab manual yaskawa inverter j7 manual ford escape dinli 901 manual dfsort manual whirlpool wrn 38rwg 6

dinli dl 110cc manuals user guides - May 20 2022

web user manuals guides and specifications for your dinli dl 110cc offroad vehicle database contains 1 dinli dl 110cc manuals available for free online viewing or

dinli service repair manuals pdf dsmanuals - Mar 30 2023

web instant download dinli service repair manuals online hyster a222 rs45 27ih rs45 30ch rs46 30ih rs46 33ch rs46 33ih rs46 36ch diesel counter balanced

dinli dino service manual yunqian info - Jan 16 2022

web we put at your disposal a personal assistant to help you in your user s manual search all our assistants have been trained to respond as quickly as possible to your needs for

dinli free motorcycle manual electric wiring diagrams - Aug 23 2022

web dinli atv service repair manuals pdf free download spare parts catalogues history of dinli atvs and some features *dinli parts manuals* - Oct 25 2022

web parts manuals are for reference only please check with your local authorized dinli usa dealer for assistance or to purchase factory parts and accessories some parts manuals

dinli atv manual - Sep 23 2022

web items our service allows you in just a few clicks to launch your search for a user s manual as soon as your request is made it reaches our teams who take charge of

dinli dl 604 parts manual - Jul 02 2023

web title microsoft word dinli dl 604 parts manual doc author robert created date 12 4 2005 20 35 39

mosby s handbook of herbs natural supplements amazon com - May 20 2023

may 11 2009 access the most reliable information on herbs and alternative medicines from trusted author linda skidmore roth in mosby s handbook of herbs and natural supplements reviewed by nurses and herbalists alike this authoritative resource presents herb and supplement profiles in a convenient a z format for fast reference

mosby s handbook of herbs natural supplements 3rd edition - May 08 2022

fifty percent of our patients are taking some form of herbal or alternative medical supplement any textbook reviewing this topic would be ambitious in light of its extensive nature and the limited scientific information available in the medical

literature

mosby s handbook of herbs natural supplements 4e - Sep 12 2022

access the most reliable information on herbs and alternative medicines from trusted author linda skidmore roth in mosbys handbook of herbs and natural supplements reviewed by

mosby s handbook of herbs natural supplements archive org - Apr 19 2023

mosby s handbook of herbs natural supplements skidmore roth linda free download borrow and streaming internet archive

mosby s handbook of herbs natural supplements 4e m 2022 - Feb 05 2022

the encyclopedia of herbs mosby s handbook of herbs natural supplements 4e m downloaded from graph safehousetech com by guest caleb trinity mosby s drug guide for nurses authorhouse access the most reliable information on herbs and alternative medicines from trusted author linda skidmore roth in mosby s handbook of herbs and natural

mosby s handbook of herbs and natural supplements - Jun 09 2022

show abstract request pdf on jun 1 2010 e ernst published mosby s handbook of herbs and natural supplements find read and cite all the research you need on researchgate

mosby s handbook of herbs natural supplements 4e - Jul 22 2023

access the most reliable information on herbs and alternative medicines from trusted author linda skidmore roth in mosby s handbook of herbs and natural supplements reviewed by nurses and herbalists alike this authoritative resource presents herb and supplement profiles in a convenient a z format for fast reference

mosby s handbook of herbs natural supplements 4e - Apr 07 2022

mosby s handbook of herbs natural supplements 4e mosby s handbook of herbs natural supplements 4e is my first book that i read this is a wonderful mosby s handbook of herbs natural supplements 4e i ever had it makes a wonderful experience at the beginning when i get used to using my spare time to read books you

pdf mosby s handbook of herbs natural supplements 4e m - Jun 21 2023

mosby s handbook of herbs natural supplements 4e m the art of herbs for health sep 04 2021 this beautifully photographed book contains a wealth of knowledge for anyone who wants to improve their health with herbs herbal medicine has been used for centuries and in this thoughtful and inspiring

mosby s handbook of herbs natural supplements booksrun - Oct 13 2022

access the most reliable information on herbs and alternative medicines from trusted author linda skidmore roth in mosby s handbook of herbs and natural supplements reviewed by nurses and herbalists alike this authoritative resource presents herb and supplement profiles in a convenient a z format for fast reference

mosby s handbook of herbs natural supplements 4th edition - Sep 24 2023

apr 27 2009 this edition s updated streamlined design helps you find information quickly and a new systematic pregnancy and breastfeeding classification offers the latest guidelines for this special client population purchase mosby s handbook of herbs natural supplements 4th edition print book e book

mosby s handbook of herbs and supplements and their - Jul 10 2022

request pdf on jun 1 2010 e ernst published mosby s handbook of herbs and supplements and their therapeutic uses find read and cite all the research you need on researchgate

mosby s handbook of herbs and natural supplements - Aug 11 2022

mosby s handbook of herbs and supplements and their therapeutic uses june 2010 focus on alternative and complementary therapies edzard ernst article herbs and natural supplements an

mosby s handbook of herbs natural supplements ebook - Nov 14 2022

aug 24 2009 access the most reliable information on herbs and alternative medicines from trusted author linda skidmore roth in mosby s handbook of herbs and natural supplements reviewed by nurses and herbalists alike this authoritative resource presents herb and supplement profiles in a convenient a z format for fast reference

mosby s handbook of herbs natural supplements softcover - Dec 15 2022

access the most reliable information on herbs and alternative medicines from trusted author linda skidmore roth in mosby s handbook of herbs and natural supplements reviewed by nurses and herbalists alike this authoritative resource presents herb and supplement profiles in a convenient a z format for fast reference

mosby s handbook of herbs natural supplements open library - Jan 16 2023

mar 7 2023 mosby s handbook of herbs natural supplements 3rd ed by linda skidmore roth 0 ratings 3 want to read 0 currently reading 0 have read this edition doesn t have a description yet can you add one publish date 2006 publisher elsevier mosby language english pages 1142 previews available in english subjects

mosby s handbook of herbs natural supplements 4th edition elsevier - Aug 23 2023

apr 27 2009 paperback access the most reliable information on herbs and alternative medicines from trusted author linda skidmore roth in mosby s handbook of herbs and natural supplements reviewed by nurses and herbalists alike this authoritative resource presents herb and supplement profiles in a convenient a z format for fast reference

[mosby s handbook of herbs natural supplements](#) - Mar 18 2023

aug 24 2009 mosby s handbook of herbs natural supplements linda skidmore roth elsevier health sciences aug 24 2009 medical 768 pages access the most reliable information on herbs and

[mosby s handbook of herbs natural supplements 4e m pdf](#) - Mar 06 2022

mosby s handbook of herbs natural supplements 4e m a stunning literary treasure full of organic feelings lies an immersive

symphony waiting to be embraced crafted by an outstanding

mosby s handbook of herbs natural supplements google books - Feb 17 2023

elsevier mosby 2006 dietary supplements 1142 pages this essential handbook provides the busy health care provider with detailed information for approximately 300 commonly used herbal products and natural supplements including 20 herbal products and natural supplements new to this edition

great book of shop drawings for craftsman furniture revised - Jul 18 2022

jul 1 2020 great book of shop drawings for craftsman furniture revised expanded second edition authentic and fully detailed plans for 61 classic pieces robert w lang 3 0 1 rating 19 99 publisher description

great book of shop drawings for craftsman furniture revised - Jul 30 2023

great book of shop drawings for craftsman furniture revised expanded second edition authentic and fully detailed plans for 61 classic pieces lang robert w amazon com tr kitap

amazon com great book of shop drawings for craftsman furniture - Mar 26 2023

jul 1 2020 great book of shop drawings for craftsman furniture revised expanded second edition authentic and fully detailed plans for 61 classic pieces kindle edition by robert w lang author format kindle edition 4 5 714 ratings part of shop drawings 10 books see all formats and editions kindle 14 99 read with our free app hardcover

great book of shop drawings for craftsman furniture revised - Aug 19 2022

jul 1 2020 fox chapel publishing jul 1 2020 crafts hobbies 250 pages providing complete shop drawings for 61 classic stickley furniture pieces master cabinetmaker robert w lang measured original craftsman antiques to create these detailed plans

great book of shop drawings for craftsman furniture google books - Feb 22 2023

robert w lang fox chapel publishing company incorporated 2013 crafts hobbies 328 pages this big book provides complete working shop drawings for 57 classic furniture pieces the

great book of shop drawings for craftsman furniture turkey - Jun 28 2023

shop great book of shop drawings for craftsman furniture revised expanded second edition authentic y detailed plans for 61 classic pieces fox chapel publishing complete full perspective views paperback march 2 2020 online at a best price in turkey

great book of shop drawings for craftsman furniture second - Feb 10 2022

great book of shop drawings for craftsman furniture revised expanded second edition is a complete sourcebook of working shop drawings for 61 classic pieces of american furniture whether known as craftsman arts crafts or mission these sturdy straightforward and immensely popular designs have graced american homes for more than 100 years

great book of shop drawings for craftsman furniture authentic - Apr 14 2022

with perspective views elevations sections details and cutting lists this book gives woodworkers the heart of the craftsman aesthetic along with all the information needed for workshop success bonus section shop drawings for craftsman inlays and hardware original designs by gustav stickley and harvey ellis these lovely inlays added

shop drawings for craftsman furniture 27 stickley designs for - Jan 24 2023

oct 1 2001 nice simple drawings and measurements although recommend buying the newer revised edition of great book of shop drawings for craftsman furniture 2013 by same author newer revised edition has all of these drawings plus an additional 30 more for a total of 57 drawings in one book the best gustav stickley reference that i can

great book of shop drawings for craftsman furniture revised expanded - Oct 01 2023

may 26 2017 great book of shop drawings for craftsman furniture revised expanded second edition authentic and fully detailed plans for 61 classic pieces fox chapel publishing complete full perspective views robert w lang on amazon com free shipping on qualifying offers

great book of shop drawings for craftsman furniture au - Apr 26 2023

sep 1 2012 3 85 33 ratings3 reviews here is a complete sourcebook of working shop drawings for 57 classic pieces of american furniture whether you know it as craftsman arts crafts or mission these sturdy straightforward and immensely popular designs have graced our homes for more than 100 years

paperback march 2 2020 amazon com - Mar 14 2022

mar 2 2020 great book of shop drawings for craftsman furniture revised expanded second edition is a complete sourcebook of working shop drawings for 61 classic pieces of american furniture features full perspective views elevations sections details and cutting lists plus additional inlay designs and hardware drawings

great book of shop drawings for craftsman furniture revised - Jun 16 2022

build furniture in the legendary craftsman style 61 classic pieces of american furniture with complete working shop drawings full perspective views elevations sections details cutting lists plus additional inlay designs and hardware drawings

great book of shop drawings for craftsman furniture revised - Dec 23 2022

great book of shop drawings for craftsman furniture revised expanded second edition is a complete sourcebook of working shop drawings for 61 classic pieces of american furniture whether known as craftsman arts crafts or mission these sturdy straightforward and immensely popular designs have graced american homes for more than 100 years

great book of shop drawings for craftsman furniture revised scribd - May 28 2023

providing complete shop drawings for 61 classic stickley furniture pieces master cabinetmaker robert w lang measured original craftsman antiques to create these detailed plans with full perspective views elevations sections details and cutting lists for each shaker furniture project this new paperback collection showcases the heart of th

download great book of shop drawings for craftsman furniture - Aug 31 2023

jul 1 2020 great book of shop drawings for craftsman furniture revised expanded second edition is a complete sourcebook of working shop drawings for 61 classic pieces of american furniture whether known as craftsman arts crafts or mission these sturdy straightforward and immensely popular designs have graced american homes for more than

great book of shop drawings for craftsman furniture authentic - Sep 19 2022

now in a revised and expanded second edition great book of shop drawings for craftsman furniture provides complete working shop drawings for 61 classic furniture pieces the author robert w lang is a master cabinetmaker and draws upon measured original craftsman antiques to create these detailed plans

great book of shop drawings for craftsman furniture revised expanded - Nov 21 2022

jul 1 2020 great book of shop drawings for craftsman furniture revised expanded second edition is a complete sourcebook of working shop drawings for 61 classic pieces of american furniture whether known as craftsman arts crafts or mission these sturdy straightforward and immensely popular designs

great book of shop drawings for craftsman furniture revised edition - May 16 2022

sep 1 2013 great book of shop drawings for craftsman furniture revised edition authentic and fully detailed plans for 57 classic pieces by robert lang sep 01 2013 fox chapel publishing edition

great book of shop drawings for craftsman furniture revised - Oct 21 2022

jul 1 2020 great book of shop drawings for craftsman furniture revised expanded second edition authentic and fully detailed plans for 61 classic pieces fox chapel publishing complete full perspective views amazon co uk robert w lang 9781497101104 books crafts hobbies home