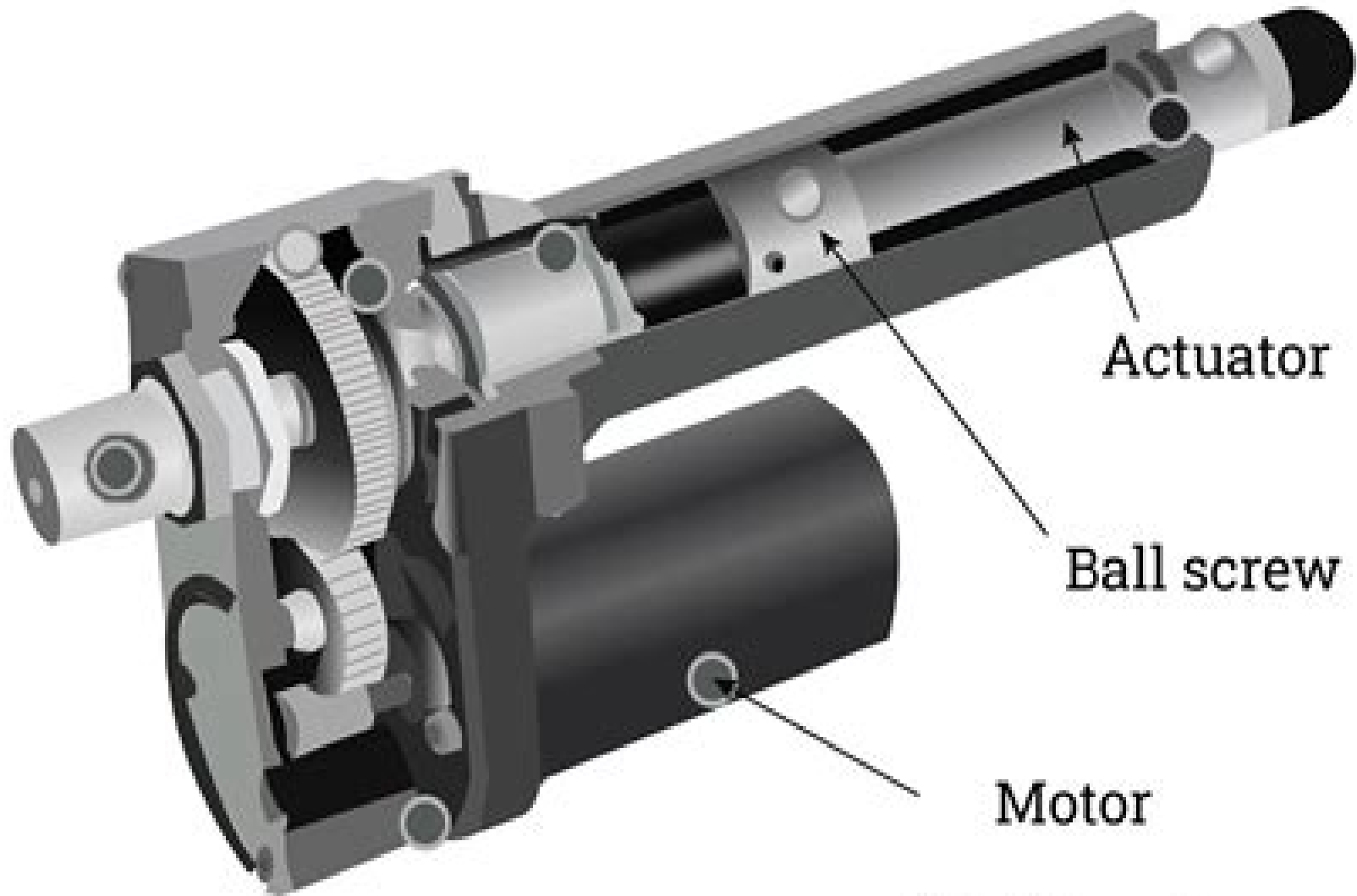


Electric Actuator



Instrumentation And Control Tutorial 2 Electric Actuators

Padhraic Smyth



Instrumentation And Control Tutorial 2 Electric Actuators:

Instruments & Control Systems, 1977 *Proceedings IECON '91: Signal processing and system control. Intelligent sensors and instrumentation*, 1991 Instrumentation Technology, 1977 *Instrumentation & Control Systems*, 1996

Instrumentation and Control Chester L. Nachtigal, 1990-05-17 As part of the ongoing Wiley Series in Mechanical Engineering this edited volume serves as a complete reference and guide to the many facets of instrumentation and control engineering Broad in coverage and scope it provides practicing engineers with the latest data and activities taking place in the field Will give you an idea of the depth and breadth of coverage as reflected in the variety of topics explored including systems engineering concepts instrument static analysis grounding and cabling techniques bridge transducers position velocity acceleration force torque pressure and temperature transducers signal processing and transmission control system performance and modification number controllers for machine tools and robots and state space analysis for dynamic and control systems **273 technical questions and answers for job interview Offshore Oil & Gas Platforms** Petrogav International Oil & Gas Training Center, 2020-06-29 The job interview is probably the most important step you will take in your job search journey Because it s always important to be prepared to respond effectively to the questions that employers typically ask at a job interview Petrogav International has prepared this eBooks that will help you to get a job in oil and gas industry Since these questions are so common hiring managers will expect you to be able to answer them smoothly and without hesitation This eBook contains 273 questions and answers for job interview and as a BONUS web addresses to 218 video movies for a better understanding of the technological process This course covers aspects like HSE Process Mechanical Electrical and Instrumentation Control that will enable you to apply for any position in the Oil and Gas Industry *Technical questions and answers for job interview Offshore Oil & Gas Rigs* Petrogav International Oil & Gas Training Center, 2020-06-29 The job interview is probably the most important step you will take in your job search journey Because it s always important to be prepared to respond effectively to the questions that employers typically ask at a job interview Petrogav International has prepared this eBooks that will help you to get a job in oil and gas industry Since these questions are so common hiring managers will expect you to be able to answer them smoothly and without hesitation This eBook contains 273 questions and answers for job interview and as a BONUS web addresses to 218 video movies for a better understanding of the technological process This course covers aspects like HSE Process Mechanical Electrical and Instrumentation Control that will enable you to apply for any position in the Oil and Gas Industry Technical questions and answers for job interview Offshore Drilling Platforms PETROGAV INTERNATIONAL, This book offers you a brief but very involved look into the operations in the drilling of an oil gas wells that will help you to be prepared for job interview at oil gas companies From start to finish you ll see a general prognosis of the drilling process If you are new to the oil gas industry you ll enjoy having a leg up with the knowledge of these processes If you are a seasoned oil gas person you ll enjoy reading what

you may or may not know in these pages This course provides a non technical overview of the phases operations and terminology used on offshore drilling platforms It is intended also for non drilling personnel who work in the offshore drilling exploration and production industry This includes marine and logistics personnel accounting administrative and support staff environmental professionals etc No prior experience or knowledge of drilling operations is required This course will provide participants a better understanding of the issues faced in all aspects of drilling operations with a particular focus on the unique aspects of offshore operations

Control Engineering, 1990 Instrumentation and automatic control systems
Proceedings IECON '91: Invited session. Special session. Power electronics and motion control, 1991 **Proceedings IECON '91: Robotics, CIM and automation. Emerging technologies**, 1991 **InTech**, 2002 **EcoMechatronics**
Peter Hehenberger, Maki Habib, David Bradley, 2022-11-21 This book showcases how EcoMechatronics can increase sustainability within engineering and manufacturing It brings together material from experts in core mechatronics technologies discussing the challenges related to moving towards more environmentally friendly methods and presenting numerous case studies and examples of EcoMechatronics oriented applications The book begins with an introduction to EcoMechatronics in the context of sustainability before covering core conceptual technical and design issues associated with EcoMechatronics It then offers a series of case studies and examples of EcoMechatronics oriented applications and finally a consideration of the educational issues associated with moving to a new generation of environmentally oriented mechatronic engineers EcoMechatronics will be of interest to practicing engineers researchers system developers and graduate students in the field of mechatronics and environmental engineering *Instrumentation Reference Book* Walt Boyes, 2010 keeping with the same proven formula of practical advice for real world applications from some of the world's leading authorities on instrumentation control and automation Book Jacket **Instrumentation Reference Book** B. E. Noltingk, 1988

Automatic Solar Tracking Sun Tracking Satellite Tracking rastreador solar seguimiento solar seguidor solar automático de seguimiento solar Gerro Prinsloo, Robert Dobson, 2015-11-01 Automatic Solar Tracking Sun Tracking This book details Automatic Solar Tracking Sun Tracking Systems Solar Trackers and Sun Tracker Systems An intelligent automatic solar tracker is a device that orients a payload toward the sun Such programmable computer based solar tracking device includes principles of solar tracking solar tracking systems as well as microcontroller microprocessor and or PC based solar tracking control to orientate solar reflectors solar lenses photovoltaic panels or other optical configurations towards the sun Motorized space frames and kinematic systems ensure motion dynamics and employ drive technology and gearing principles to steer optical configurations such as mangin parabolic conic or cassegrain solar energy collectors to face the sun and follow the sun movement contour continuously *seguimiento solar y automatizaci n automatizaci n seguidor solar tracking solar e automa o automa o seguidor solar inseguimento solare inseguitore solare energia termica sole seguito posizionatore motorizzato* In harnessing power from the sun through a solar tracker or practical solar tracking system renewable energy

control automation systems require automatic solar tracking software and solar position algorithms to accomplish dynamic motion control with control automation architecture circuit boards and hardware On axis sun tracking system such as the altitude azimuth dual axis or multi axis solar tracker systems use a sun tracking algorithm or ray tracing sensors or software to ensure the sun's passage through the sky is traced with high precision in automated solar tracker applications right through summer solstice solar equinox and winter solstice A high precision sun position calculator or sun position algorithm is this an important step in the design and construction of an automatic solar tracking system The content of the book is also applicable to communication antenna satellite tracking and moon tracking algorithm source code for which links to free download links are provided From sun tracing software perspective the sonnet Tracing The Sun has a literal meaning Within the context of sun track and trace this book explains that the sun's daily path across the sky is directed by relatively simple principles and if grasped understood then it is relatively easy to trace the sun with sun following software Sun position computer software for tracing the sun are available as open source code sources that is listed in this book The book also describes the use of satellite tracking software and mechanisms in solar tracking applications Ironically there was even a system called sun chaser said to have been a solar positioner system known for chasing the sun throughout the day Using solar equations in an electronic circuit for automatic solar tracking is quite simple even if you are a novice but mathematical solar equations are over complicated by academic experts and professors in text books journal articles and internet websites In terms of solar hobbies scholars students and Hobbyist's looking at solar tracking electronics or PC programs for solar tracking are usually overcome by the sheer volume of scientific material and internet resources which leaves many developers in frustration when search for simple experimental solar tracking source code for their on axis sun tracking systems This booklet will simplify the search for the mystical sun tracking formulas for your sun tracker innovation and help you develop your own autonomous solar tracking controller By directing the solar collector directly into the sun a solar harvesting means or device can harness sunlight or thermal heat This is achieved with the help of sun angle formulas solar angle formulas or solar tracking procedures for the calculation of sun's position in the sky Automatic sun tracking system software includes algorithms for solar altitude azimuth angle calculations required in following the sun across the sky In using the longitude latitude GPS coordinates of the solar tracker location these sun tracking software tools supports precision solar tracking by determining the solar altitude azimuth coordinates for the sun trajectory in altitude azimuth tracking at the tracker location using certain sun angle formulas in sun vector calculations Instead of follow the sun software a sun tracking sensor such as a sun sensor or webcam or video camera with vision based sun following image processing software can also be used to determine the position of the sun optically Such optical feedback devices are often used in solar panel tracking systems and dish tracking systems Dynamic sun tracing is also used in solar surveying DNI analyser and sun surveying systems that build solar infographics maps with solar radiance irradiance and DNI models for GIS geographical

information system In this way geospatial methods on solar environment interaction makes use use of geospatial technologies GIS Remote Sensing and Cartography Climatic data and weather station or weather center data as well as queries from sky servers and solar resource database systems i e on DB2 Sybase Oracle SQL MySQL may also be associated with solar GIS maps In such solar resource modelling systems a pyranometer or solarimeter is normally used in addition to measure direct and indirect scattered dispersed reflective radiation for a particular geographical location Sunlight analysis is important in flash photography where photographic lighting are important for photographers GIS systems are used by architects who add sun shadow applets to study architectural shading or sun shadow analysis solar flux calculations optical modelling or to perform weather modelling Such systems often employ a computer operated telescope type mechanism with ray tracing program software as a solar navigator or sun tracer that determines the solar position and intensity The purpose of this booklet is to assist developers to track and trace suitable source code and solar tracking algorithms for their application whether a hobbyist scientist technician or engineer Many open source sun following and tracking algorithms and source code for solar tracking programs and modules are freely available to download on the internet today Certain proprietary solar tracker kits and solar tracking controllers include a software development kit SDK for its application programming interface API attributes Pebble Widget libraries widget toolkits GUI toolkit and UX libraries with graphical control elements are also available to construct the graphical user interface GUI for your solar tracking or solar power monitoring program The solar library used by solar position calculators solar simulation software and solar contour calculators include machine program code for the solar hardware controller which are software programmed into Micro controllers Programmable Logic Controllers PLC programmable gate arrays Arduino processor or PIC processor PC based solar tracking is also high in demand using C Visual Basic VB as well as MS Windows Linux and Apple Mac based operating systems for sun path tables on Matlab Excel Some books and internet webpages use other terms such as sun angle calculator sun position calculator or solar angle calculator As said such software code calculate the solar azimuth angle solar altitude angle solar elevation angle or the solar Zenith angle Zenith solar angle is simply referenced from vertical plane the mirror of the elevation angle measured from the horizontal or ground plane level Similar software code is also used in solar calculator apps or the solar power calculator apps for IOS and Android smartphone devices Most of these smartphone solar mobile apps show the sun path and sun angles for any location and date over a 24 hour period Some smartphones include augmented reality features in which you can physically see and look at the solar path through your cell phone camera or mobile phone camera at your phone s specific GPS location In the computer programming and digital signal processing DSP environment free open source program code are available for VB Net Delphi Python C C C PHP Swift ADM F Flash Basic QBasic GBasic KBasic SIMPL language Squirrel Solaris Assembly language on operating systems such as MS Windows Apple Mac DOS or Linux OS Software algorithms predicting position of the sun in the sky are commonly available as graphical programming platforms

such as Matlab Mathworks Simulink models Java applets TRNSYS simulations Scada system apps Labview module Beckhoff TwinCAT Visual Studio Siemens SPA mobile and iphone apps Android or iOS tablet apps and so forth At the same time PLC software code for a range of sun tracking automation technology can follow the profile of sun in sky for Siemens HP Panasonic ABB Allan Bradley OMRON SEW Festo Beckhoff Rockwell Schneider Endress Hauser Fuji electric Honeywell Fuchs Yokonawa or Mitsubishi platforms Sun path projection software are also available for a range of modular IPC embedded PC motherboards Industrial PC PLC Programmable Logic Controller and PAC Programmable Automation Controller such as the Siemens S7 1200 or Siemens Logo Beckhoff IPC or CX series OMRON PLC Ecam PLC AC500plc ABB National Instruments NI PXI or NI cRIO PIC processor Intel 8051 8085 IBM Cell Power Brain or Truenorth series FPGA Xilinx Altera Nios Intel Xeon Atmel megaAVR MPU Maple Teensy MSP XMOX Xbee ARM Raspberry Pi Eagle Arduino or Arduino AtMega microcontroller with servo motor stepper motor direct current DC pulse width modulation PWM current driver or alternating current AC SPS or IPC variable frequency drives VFD motor drives also termed adjustable frequency drive variable speed drive AC drive micro drive or inverter drive for electrical mechatronic pneumatic or hydraulic solar tracking actuators The above motion control and robot control systems include analogue or digital interfacing ports on the processors to allow for tracker angle orientation feedback control through one or a combination of angle sensor or angle encoder shaft encoder precision encoder optical encoder magnetic encoder direction encoder rotational encoder chip encoder tilt sensor inclination sensor or pitch sensor Note that the tracker s elevation or zenith axis angle may be measured using an altitude angle declination angle inclination angle pitch angle or vertical angle zenith angle sensor or inclinometer Similarly the tracker s azimuth axis angle may be measured with an azimuth angle horizontal angle or roll angle sensor Chip integrated accelerometer magnetometer gyroscope type angle sensors can also be used to calculate displacement Other options include the use of thermal imaging systems such as a Fluke thermal imager or robotic or vision based solar tracker systems that employ face tracking head tracking hand tracking eye tracking and car tracking principles in solar tracking With unattended decentralised rural island isolated or autonomous off grid power installations remote control monitoring data acquisition digital datalogging and online measurement and verification equipment becomes crucial It assists the operator with supervisory control to monitor the efficiency of remote renewable energy resources and systems and provide valuable web based feedback in terms of CO2 and clean development mechanism CDM reporting A power quality analyser for diagnostics through internet WiFi and cellular mobile links is most valuable in frontline troubleshooting and predictive maintenance where quick diagnostic analysis is required to detect and prevent power quality issues Solar tracker applications cover a wide spectrum of solar applications and solar assisted application including concentrated solar power generation solar desalination solar water purification solar steam generation solar electricity generation solar industrial process heat solar thermal heat storage solar food dryers solar water pumping hydrogen production from methane or

producing hydrogen and oxygen from water HHO through electrolysis Many patented or non patented solar apparatus include tracking in solar apparatus for solar electric generator solar desalinator solar steam engine solar ice maker solar water purifier solar cooling solar refrigeration USB solar charger solar phone charging portable solar charging tracker solar coffee brewing solar cooking or solar drying means Your project may be the next breakthrough or patent but your invention is held back by frustration in search for the sun tracker you require for your solar powered appliance solar generator solar tracker robot solar freezer solar cooker solar drier solar pump solar freezer or solar dryer project Whether your solar electronic circuit diagram include a simplified solar controller design in a solar electricity project solar power kit solar hobby kit solar steam generator solar hot water system solar ice maker solar desalinator hobbyist solar panels hobby robot or if you are developing professional or hobby electronics for a solar utility or micro scale solar powerplant for your own solar farm or solar farming this publication may help accelerate the development of your solar tracking innovation Lately solar polygeneration solar trigeneration solar triple generation and solar quad generation adding delivery of steam liquid gaseous fuel or capture food grade CO₂ systems have need for automatic solar tracking These systems are known for significant efficiency increases in energy yield as a result of the integration and re use of waste or residual heat and are suitable for compact packaged micro solar powerplants that could be manufactured and transported in kit form and operate on a plug and play basis Typical hybrid solar power systems include compact or packaged solar micro combined heat and power CHP or mCHP or solar micro combined cooling heating and power CCHP CHPC mCCHP or mCHPC systems used in distributed power generation These systems are often combined in concentrated solar CSP and CPV smart microgrid configurations for off grid rural island or isolated microgrid minigrid and distributed power renewable energy systems Solar tracking algorithms are also used in modelling of trigeneration systems using Matlab Simulink Modelica or TRNSYS platform as well as in automation and control of renewable energy systems through intelligent parsing multi objective adaptive learning control and control optimization strategies Solar tracking algorithms also find application in developing solar models for country or location specific solar studies for example in terms of measuring or analysis of the fluctuations of the solar radiation i e direct and diffuse radiation in a particular area Solar DNI solar irradiance and atmospheric information and models can thus be integrated into a solar map solar atlas or geographical information systems GIS Such models allows for defining local parameters for specific regions that may be valuable in terms of the evaluation of different solar in photovoltaic of CSP systems on simulation and synthesis platforms such as Matlab and Simulink or in linear or multi objective optimization algorithm platforms such as COMPOSE EnergyPLAN or DER CAM A dual axis solar tracker and single axis solar tracker may use a sun tracker program or sun tracker algorithm to position a solar dish solar panel array heliostat array PV panel solar antenna or infrared solar nantenna A self tracking solar concentrator performs automatic solar tracking by computing the solar vector Solar position algorithms TwinCAT SPA or PSA Algorithms use an astronomical algorithm to

calculate the position of the sun It uses astronomical software algorithms and equations for solar tracking in the calculation of sun s position in the sky for each location on the earth at any time of day Like an optical solar telescope the solar position algorithm pin points the solar reflector at the sun and locks onto the sun s position to track the sun across the sky as the sun progresses throughout the day Optical sensors such as photodiodes light dependant resistors LDR or photoresistors are used as optical accuracy feedback devices Lately we also included a section in the book with links to microprocessor code on how the PixArt Wii infrared camera in the Wii remote or Wiimote may be used in infrared solar tracking applications In order to harvest free energy from the sun some automatic solar positioning systems use an optical means to direct the solar tracking device These solar tracking strategies use optical tracking techniques such as a sun sensor means to direct sun rays onto a silicon or CMOS substrate to determine the X and Y coordinates of the sun s position In a solar mems sun sensor device incident sunlight enters the sun sensor through a small pin hole in a mask plate where light is exposed to a silicon substrate In a web camera or camera image processing sun tracking and sun following means object tracking software performs multi object tracking or moving object tracking methods In an solar object tracking technique image processing software performs mathematical processing to box the outline of the apparent solar disc or sun blob within the captured image frame while sun localization is performed with an edge detection algorithm to determine the solar vector coordinates An automated positioning system help maximize the yields of solar power plants through solar tracking control to harness sun s energy In such renewable energy systems the solar panel positioning system uses a sun tracking techniques and a solar angle calculator in positioning PV panels in photovoltaic systems and concentrated photovoltaic CPV systems Automatic on axis solar tracking in a PV solar tracking system can be dual axis sun tracking or single axis sun solar tracking It is known that a motorized positioning system in a photovoltaic panel tracker increase energy yield and ensures increased power output even in a single axis solar tracking configuration Other applications such as robotic solar tracker or robotic solar tracking system uses robotica with artificial intelligence in the control optimization of energy yield in solar harvesting through a robotic tracking system Automatic positioning systems in solar tracking designs are also used in other free energy generators such as concentrated solar thermal power CSP and dish Stirling systems The sun tracking device in a solar collector in a solar concentrator or solar collector Such a performs on axis solar tracking a dual axis solar tracker assists to harness energy from the sun through an optical solar collector which can be a parabolic mirror parabolic reflector Fresnel lens or mirror array matrix A parabolic dish or reflector is dynamically steered using a transmission system or solar tracking slew drive mean In steering the dish to face the sun the power dish actuator and actuation means in a parabolic dish system optically focusses the sun s energy on the focal point of a parabolic dish or solar concentrating means A Stirling engine solar heat pipe thermosyphin solar phase change material PCM receiver or a fibre optic sunlight receiver means is located at the focal point of the solar concentrator The dish Stirling engine configuration is referred to as a dish Stirling system or Stirling power

generation system Hybrid solar power systems used in combination with biogas biofuel petrol ethanol diesel natural gas or PNG use a combination of power sources to harness and store solar energy in a storage medium Any multitude of energy sources can be combined through the use of controllers and the energy stored in batteries phase change material thermal heat storage and in cogeneration form converted to the required power using thermodynamic cycles organic Rankin Brayton cycle micro turbine Stirling with an inverter and charge controller

Practical Solar Tracking Automatic Solar Tracking Sun Tracking Автоматическое удержание Солнечная слежения ВС Gerro Prinsloo, Robert Dobson, 2015-11-01 This book details Practical Solar Energy Harvesting Automatic Solar Tracking Sun Tracking Systems Solar Trackers and Sun Tracker Systems using motorized automatic positioning concepts and control principles An intelligent automatic solar tracker is a device that orients a payload toward the sun Such programmable computer based solar tracking device includes principles of solar tracking solar tracking systems as well as microcontroller microprocessor and or PC based solar tracking control to orientate solar reflectors solar lenses photovoltaic panels or other optical configurations towards the sun Motorized space frames and kinematic systems ensure motion dynamics and employ drive technology and gearing principles to steer optical configurations such as mangin parabolic conic or cassegrain solar energy collectors to face the sun and follow the sun movement contour continuously In general the book may benefit solar research and solar energy applications in countries such as Africa Mediterranean Italy Spain Greece USA Mexico South America Brazilia Argentina Chili India Malaysia Middle East UAE Russia Japan and China This book on practical automatic Solar Tracking Sun Tracking is in PDF format and can easily be converted to the EPUB MOBI AZW ePub FB2 LIT LRF MOBI PDB PDF TCR formats for smartphones and Kindle by using the ebook online convert com facility The content of the book is also applicable to communication antenna satellite tracking and moon tracking algorithm source code for which links to free download links are provided In harnessing power from the sun through a solar tracker or practical solar tracking system renewable energy control automation systems require automatic solar tracking software and solar position algorithms to accomplish dynamic motion control with control automation architecture circuit boards and hardware On axis sun tracking system such as the altitude azimuth dual axis or multi axis solar tracker systems use a sun tracking algorithm or ray tracing sensors or software to ensure the sun s passage through the sky is traced with high precision in automated solar tracker applications right through summer solstice solar equinox and winter solstice A high precision sun position calculator or sun position algorithm is this an important step in the design and construction of an automatic solar tracking system From sun tracing software perspective the sonnet Tracing The Sun has a literal meaning Within the context of sun track and trace this book explains that the sun s daily path across the sky is directed by relatively simple principles and if grasped understood then it is relatively easy to trace the sun with sun following software Sun position computer software for tracing the sun are available as open source code sources that is listed in this book Ironically there was even a system called sun chaser said to

have been a solar positioner system known for chasing the sun throughout the day Using solar equations in an electronic circuit for automatic solar tracking is quite simple even if you are a novice but mathematical solar equations are over complicated by academic experts and professors in text books journal articles and internet websites In terms of solar hobbies scholars students and Hobbyist s looking at solar tracking electronics or PC programs for solar tracking are usually overcome by the sheer volume of scientific material and internet resources which leaves many developers in frustration when search for simple experimental solar tracking source code for their on axis sun tracking systems This booklet will simplify the search for the mystical sun tracking formulas for your sun tracker innovation and help you develop your own autonomous solar tracking controller By directing the solar collector directly into the sun a solar harvesting means or device can harness sunlight or thermal heat This is achieved with the help of sun angle formulas solar angle formulas or solar tracking procedures for the calculation of sun s position in the sky Automatic sun tracking system software includes algorithms for solar altitude azimuth angle calculations required in following the sun across the sky In using the longitude latitude GPS coordinates of the solar tracker location these sun tracking software tools supports precision solar tracking by determining the solar altitude azimuth coordinates for the sun trajectory in altitude azimuth tracking at the tracker location using certain sun angle formulas in sun vector calculations Instead of follow the sun software a sun tracking sensor such as a sun sensor or webcam or video camera with vision based sun following image processing software can also be used to determine the position of the sun optically Such optical feedback devices are often used in solar panel tracking systems and dish tracking systems Dynamic sun tracing is also used in solar surveying DNI analyser and sun surveying systems that build solar infographics maps with solar radiance irradiance and DNI models for GIS geographical information system In this way geospatial methods on solar environment interaction makes use use of geospatial technologies GIS Remote Sensing and Cartography Climatic data and weather station or weather center data as well as queries from sky servers and solar resource database systems i e on DB2 Sybase Oracle SQL MySQL may also be associated with solar GIS maps In such solar resource modelling systems a pyranometer or solarimeter is normally used in addition to measure direct and indirect scattered dispersed reflective radiation for a particular geographical location Sunlight analysis is important in flash photography where photographic lighting are important for photographers GIS systems are used by architects who add sun shadow applets to study architectural shading or sun shadow analysis solar flux calculations optical modelling or to perform weather modelling Such systems often employ a computer operated telescope type mechanism with ray tracing program software as a solar navigator or sun tracer that determines the solar position and intensity The purpose of this booklet is to assist developers to track and trace suitable source code and solar tracking algorithms for their application whether a hobbyist scientist technician or engineer Many open source sun following and tracking algorithms and source code for solar tracking programs and modules are freely available to download on the internet today Certain proprietary solar tracker kits and solar tracking

controllers include a software development kit SDK for its application programming interface API attributes Pebble Widget libraries widget toolkits GUI toolkit and UX libraries with graphical control elements are also available to construct the graphical user interface GUI for your solar tracking or solar power monitoring program The solar library used by solar position calculators solar simulation software and solar contour calculators include machine program code for the solar hardware controller which are software programmed into Micro controllers Programmable Logic Controllers PLC programmable gate arrays Arduino processor or PIC processor PC based solar tracking is also high in demand using C Visual Basic VB as well as MS Windows Linux and Apple Mac based operating systems for sun path tables on Matlab Excel Some books and internet webpages use other terms such as sun angle calculator sun position calculator or solar angle calculator As said such software code calculate the solar azimuth angle solar altitude angle solar elevation angle or the solar Zenith angle Zenith solar angle is simply referenced from vertical plane the mirror of the elevation angle measured from the horizontal or ground plane level Similar software code is also used in solar calculator apps or the solar power calculator apps for IOS and Android smartphone devices Most of these smartphone solar mobile apps show the sun path and sun angles for any location and date over a 24 hour period Some smartphones include augmented reality features in which you can physically see and look at the solar path through your cell phone camera or mobile phone camera at your phone s specific GPS location In the computer programming and digital signal processing DSP environment free open source program code are available for VB Net Delphi Python C C C PHP Swift ADM F Flash Basic QBasic GBasic KBasic SIMPL language Squirrel Solaris Assembly language on operating systems such as MS Windows Apple Mac DOS or Linux OS Software algorithms predicting position of the sun in the sky are commonly available as graphical programming platforms such as Matlab Mathworks Simulink models Java applets TRNSYS simulations Scada system apps Labview module Beckhoff TwinCAT Visual Studio Siemens SPA mobile and iphone apps Android or iOS tablet apps and so forth At the same time PLC software code for a range of sun tracking automation technology can follow the profile of sun in sky for Siemens HP Panasonic ABB Allan Bradley OMRON SEW Festo Beckhoff Rockwell Schneider Endress Hauser Fudji electric Honeywell Fuchs Yokonawa or Muthibishi platforms Sun path projection software are also available for a range of modular IPC embedded PC motherboards Industrial PC PLC Programmable Logic Controller and PAC Programmable Automation Controller such as the Siemens S7 1200 or Siemens Logo Beckhoff IPC or CX series OMRON PLC Ercam PLC AC500plc ABB National Instruments NI PXI or NI cRIO PIC processor Intel 8051 8085 IBM Cell Power Brain or Truenorth series FPGA Xilinx Altera Nios Intel Xeon Atmel megaAVR MPU Maple Teensy MSP XMOS Xbee ARM Raspberry Pi Eagle Arduino or Arduino AtMega microcontroller with servo motor stepper motor direct current DC pulse width modulation PWM current driver or alternating current AC SPS or IPC variable frequency drives VFD motor drives also termed adjustable frequency drive variable speed drive AC drive micro drive or inverter drive for electrical mechatronic pneumatic or hydraulic solar tracking actuators The above motion control

and robot control systems include analogue or digital interfacing ports on the processors to allow for tracker angle orientation feedback control through one or a combination of angle sensor or angle encoder shaft encoder precision encoder optical encoder magnetic encoder direction encoder rotational encoder chip encoder tilt sensor inclination sensor or pitch sensor Note that the tracker s elevation or zenith axis angle may measured using an altitude angle declination angle inclination angle pitch angle or vertical angle zenith angle sensor or inclinometer Similarly the tracker s azimuth axis angle be measured with a azimuth angle horizontal angle or roll angle sensor Chip integrated accelerometer magnetometer gyroscope type angle sensors can also be used to calculate displacement Other options include the use of thermal imaging systems such as a Fluke thermal imager or robotic or vision based solar tracker systems that employ face tracking head tracking hand tracking eye tracking and car tracking principles in solar tracking With unattended decentralised rural island isolated or autonomous off grid power installations remote control monitoring data acquisition digital datalogging and online measurement and verification equipment becomes crucial It assists the operator with supervisory control to monitor the efficiency of remote renewable energy resources and systems and provide valuable web based feedback in terms of CO₂ and clean development mechanism CDM reporting A power quality analyser for diagnostics through internet WiFi and cellular mobile links is most valuable in frontline troubleshooting and predictive maintenance where quick diagnostic analysis is required to detect and prevent power quality issues Solar tracker applications cover a wide spectrum of solar applications and solar assisted application including concentrated solar power generation solar desalination solar water purification solar steam generation solar electricity generation solar industrial process heat solar thermal heat storage solar food dryers solar water pumping hydrogen production from methane or producing hydrogen and oxygen from water HHO through electrolysis Many patented or non patented solar apparatus include tracking in solar apparatus for solar electric generator solar desalinator solar steam engine solar ice maker solar water purifier solar cooling solar refrigeration USB solar charger solar phone charging portable solar charging tracker solar coffee brewing solar cooking or solar dyeing means Your project may be the next breakthrough or patent but your invention is held back by frustration in search for the sun tracker you require for your solar powered appliance solar generator solar tracker robot solar freezer solar cooker solar drier solar pump solar freezer or solar dryer project Whether your solar electronic circuit diagram include a simplified solar controller design in a solar electricity project solar power kit solar hobby kit solar steam generator solar hot water system solar ice maker solar desalinator hobbyist solar panels hobby robot or if you are developing professional or hobby electronics for a solar utility or micro scale solar powerplant for your own solar farm or solar farming this publication may help accelerate the development of your solar tracking innovation Lately solar polygeneration solar trigeneration solar triple generation and solar quad generation adding delivery of steam liquid gaseous fuel or capture food grade CO₂ systems have need for automatic solar tracking These systems are known for significant efficiency increases in energy yield as a result of the integration and re use

of waste or residual heat and are suitable for compact packaged micro solar powerplants that could be manufactured and transported in kit form and operate on a plug and play basis Typical hybrid solar power systems include compact or packaged solar micro combined heat and power CHP or mCHP or solar micro combined cooling heating and power CCHP CHPC mCCHP or mCHPC systems used in distributed power generation These systems are often combined in concentrated solar CSP and CPV smart microgrid configurations for off grid rural island or isolated microgrid minigrid and distributed power renewable energy systems Solar tracking algorithms are also used in modelling of trigeneration systems using Matlab Simulink Modelica or TRNSYS platform as well as in automation and control of renewable energy systems through intelligent parsing multi objective adaptive learning control and control optimization strategies Solar tracking algorithms also find application in developing solar models for country or location specific solar studies for example in terms of measuring or analysis of the fluctuations of the solar radiation i e direct and diffuse radiation in a particular area Solar DNI solar irradiance and atmospheric information and models can thus be integrated into a solar map solar atlas or geographical information systems GIS Such models allows for defining local parameters for specific regions that may be valuable in terms of the evaluation of different solar in photovoltaic of CSP systems on simulation and synthesis platforms such as Matlab and Simulink or in linear or multi objective optimization algorithm platforms such as COMPOSE EnergyPLAN or DER CAM A dual axis solar tracker and single axis solar tracker may use a sun tracker program or sun tracker algorithm to position a solar dish solar panel array heliostat array PV panel solar antenna or infrared solar nantenna A self tracking solar concentrator performs automatic solar tracking by computing the solar vector Solar position algorithms TwinCAT SPA or PSA Algorithms use an astronomical algorithm to calculate the position of the sun It uses astronomical software algorithms and equations for solar tracking in the calculation of sun s position in the sky for each location on the earth at any time of day Like an optical solar telescope the solar position algorithm pin points the solar reflector at the sun and locks onto the sun s position to track the sun across the sky as the sun progresses throughout the day Optical sensors such as photodiodes light dependant resistors LDR or photoresistors are used as optical accuracy feedback devices Lately we also included a section in the book with links to microprocessor code on how the PixArt Wii infrared camera in the Wii remote or Wiimote may be used in infrared solar tracking applications In order to harvest free energy from the sun some automatic solar positioning systems use an optical means to direct the solar tracking device These solar tracking strategies use optical tracking techniques such as a sun sensor means to direct sun rays onto a silicon or CMOS substrate to determine the X and Y coordinates of the sun s position In a solar mems sun sensor device incident sunlight enters the sun sensor through a small pin hole in a mask plate where light is exposed to a silicon substrate In a web camera or camera image processing sun tracking and sun following means object tracking software performs multi object tracking or moving object tracking methods In an solar object tracking technique image processing software performs mathematical processing to box the outline of the apparent solar disc or sun

blob within the captured image frame while sun localization is performed with an edge detection algorithm to determine the solar vector coordinates An automated positioning system help maximize the yields of solar power plants through solar tracking control to harness sun s energy In such renewable energy systems the solar panel positioning system uses a sun tracking techniques and a solar angle calculator in positioning PV panels in photovoltaic systems and concentrated photovoltaic CPV systems Automatic on axis solar tracking in a PV solar tracking system can be dual axis sun tracking or single axis sun solar tracking It is known that a motorized positioning system in a photovoltaic panel tracker increase energy yield and ensures increased power output even in a single axis solar tracking configuration Other applications such as robotic solar tracker or robotic solar tracking system uses robotica with artificial intelligence in the control optimization of energy yield in solar harvesting through a robotic tracking system Automatic positioning systems in solar tracking designs are also used in other free energy generators such as concentrated solar thermal power CSP and dish Stirling systems The sun tracking device in a solar collector in a solar concentrator or solar collector Such a performs on axis solar tracking a dual axis solar tracker assists to harness energy from the sun through an optical solar collector which can be a parabolic mirror parabolic reflector Fresnel lens or mirror array matrix A parabolic dish or reflector is dynamically steered using a transmission system or solar tracking slew drive mean In steering the dish to face the sun the power dish actuator and actuation means in a parabolic dish system optically focusses the sun s energy on the focal point of a parabolic dish or solar concentrating means A Stirling engine solar heat pipe thermosyphin solar phase change material PCM receiver or a fibre optic sunlight receiver means is located at the focal point of the solar concentrator The dish Stirling engine configuration is referred to as a dish Stirling system or Stirling power generation system Hybrid solar power systems used in combination with biogas biofuel petrol ethanol diesel natural gas or PNG use a combination of power sources to harness and store solar energy in a storage medium Any multitude of energy sources can be combined through the use of controllers and the energy stored in batteries phase change material thermal heat storage and in cogeneration form converted to the required power using thermodynamic cycles organic Rankin Brayton cycle micro turbine Stirling with an inverter and charge controller Solar Tracking Tracking Systems Solar Tracker Systems Tracker PC

Mechanical Engineers' Handbook: Instrumentation, systems, controls, and MEMS Myer Kutz,2006 A single source for mechanical engineers offering all the critical information they require

Sun Tracking and Solar Renewable Energy Harvesting Gerro Prinsloo,Robert Dobson,2015-11-02 Free to download eBook on Practical Solar Tracking Design Solar Tracking Sun Tracking Sun Tracker Solar Tracker Follow Sun Sun Position calculation Azimuth Elevation Zenith Sun following Sunrise Sunset Moon phase Moonrise Moonset calculators In harnessing power from the sun through a solar tracker or solar tracking system renewable energy system developers require automatic solar tracking software and solar position algorithms On axis sun tracking system such as the altitude azimuth dual axis or multi axis solar tracker systems use a sun tracking algorithm or ray tracing

sensors or software to ensure the sun's passage through the sky is traced with high precision in automated solar tracker applications right through summer solstice solar equinox and winter solstice Eco Friendly and Environmentally Sustainable Micro Combined Solar Heat and Power m CHP m CCHP m CHCP with Microgrid Storage and Layered Smartgrid Control towards Supplying Off Grid Rural Villages in developing BRICS countries such as Africa India China and Brazil Off grid rural villages and isolated islands areas require mCHP and trigeneration solar power plants and associated isolated smart microgrid solutions to serve the community energy needs This article describes the development progress for such a system also referred to as solar polygeneration The system includes a sun tracker mechanism wherein a parabolic dish or lenses are guided by a light sensitive mechanism in a way that the solar receiver is always at right angle to the solar radiation Solar thermal energy is then either converted into electrical energy through a free piston Stirling or stored in a thermal storage container The project includes the thermodynamic modeling of the plant in Matlab Simulink as well as the development of an intelligent control approach that includes smart microgrid distribution and optimization The book includes aspects in the simulation and optimization of stand alone hybrid renewable energy systems and co generation in isolated or islanded microgrids It focusses on the stepwise development of a hybrid solar driven micro combined cooling heating and power mCCHP compact trigeneration polygeneration and thermal energy storage TES system with intelligent weather prediction weak ahead scheduling time horizon and look ahead dispatch on integrated smart microgrid distribution principles The solar harvesting and solar thermodynamic system includes an automatic sun tracking platform based on a PLC controlled mechatronic sun tracking system that follows the sun progressing across the sky An intelligent energy management and adaptive learning control optimization approach is proposed for autonomous off grid remote power applications both for thermodynamic optimization and smart micro grid optimization for distributed energy resources DER The correct resolution of this load following multi objective optimization problem is a complex task because of the high number and multi dimensional variables the cross correlation and interdependency between the energy streams as well as the non linearity in the performance of some of the system components Exergy based control approaches for smartgrid topologies are considered in terms of the intelligence behind the safe and reliable operation of a microgrid in an automated system that can manage energy flow in electrical as well as thermal energy systems The standalone micro grid solution would be suitable for a rural village intelligent building district energy system campus power shopping mall centre isolated network eco estate or remote island application setting where self generation and decentralized energy system concepts play a role Discrete digital simulation models for the thermodynamic and active demand side management systems with digital smartgrid control unit to optimize the system energy management is currently under development Parametric simulation models for this trigeneration system polygeneration poligeneration quadgeneration are developed on the Matlab Simulink and TrnSys platforms In terms of model predictive coding strategies the automation controller will perform multi objective cost optimization for energy

management on a microgrid level by managing the generation and storage of electrical heat and cooling energies in layers. Each layer has its own set of smart microgrid priorities associated with user demand side cycle predictions. Mixed Integer Linear Programming and Neural network algorithms are being modeled to perform Multi Objective Control optimization as potential optimization and adaptive learning techniques.

Energy Research Abstracts, 1977 Semiannual with semiannual and annual indexes. References to all scientific and technical literature coming from DOE its laboratories energy centers and contractors. Includes all works deriving from DOE other related government sponsored information and foreign nonnuclear information. Arranged under 39 categories e.g. Biomedical sciences basic studies Biomedical sciences applied studies Health and safety and Fusion energy. Entry gives bibliographical information and abstract. Corporate author subject report number indexes.

Unveiling the Magic of Words: A Review of "**Instrumentation And Control Tutorial 2 Electric Actuators**"

In a global defined by information and interconnectivity, the enchanting power of words has acquired unparalleled significance. Their ability to kindle emotions, provoke contemplation, and ignite transformative change is really awe-inspiring. Enter the realm of "**Instrumentation And Control Tutorial 2 Electric Actuators**," a mesmerizing literary masterpiece penned by way of a distinguished author, guiding readers on a profound journey to unravel the secrets and potential hidden within every word. In this critique, we shall delve into the book is central themes, examine its distinctive writing style, and assess its profound affect the souls of its readers.

<https://py.bijouxmedusa.com/results/browse/fetch.php/workplace%20writing%20planning%20packaging%20and%20perfecting%20communication.pdf>

Table of Contents Instrumentation And Control Tutorial 2 Electric Actuators

1. Understanding the eBook Instrumentation And Control Tutorial 2 Electric Actuators
 - The Rise of Digital Reading Instrumentation And Control Tutorial 2 Electric Actuators
 - Advantages of eBooks Over Traditional Books
2. Identifying Instrumentation And Control Tutorial 2 Electric Actuators
 - Exploring Different Genres
 - Considering Fiction vs. Non-Fiction
 - Determining Your Reading Goals
3. Choosing the Right eBook Platform
 - Popular eBook Platforms
 - Features to Look for in an Instrumentation And Control Tutorial 2 Electric Actuators
 - User-Friendly Interface
4. Exploring eBook Recommendations from Instrumentation And Control Tutorial 2 Electric Actuators
 - Personalized Recommendations
 - Instrumentation And Control Tutorial 2 Electric Actuators User Reviews and Ratings

- Instrumentation And Control Tutorial 2 Electric Actuators and Bestseller Lists
- 5. Accessing Instrumentation And Control Tutorial 2 Electric Actuators Free and Paid eBooks
 - Instrumentation And Control Tutorial 2 Electric Actuators Public Domain eBooks
 - Instrumentation And Control Tutorial 2 Electric Actuators eBook Subscription Services
 - Instrumentation And Control Tutorial 2 Electric Actuators Budget-Friendly Options
- 6. Navigating Instrumentation And Control Tutorial 2 Electric Actuators eBook Formats
 - ePub, PDF, MOBI, and More
 - Instrumentation And Control Tutorial 2 Electric Actuators Compatibility with Devices
 - Instrumentation And Control Tutorial 2 Electric Actuators Enhanced eBook Features
- 7. Enhancing Your Reading Experience
 - Adjustable Fonts and Text Sizes of Instrumentation And Control Tutorial 2 Electric Actuators
 - Highlighting and Note-Taking Instrumentation And Control Tutorial 2 Electric Actuators
 - Interactive Elements Instrumentation And Control Tutorial 2 Electric Actuators
- 8. Staying Engaged with Instrumentation And Control Tutorial 2 Electric Actuators
 - Joining Online Reading Communities
 - Participating in Virtual Book Clubs
 - Following Authors and Publishers Instrumentation And Control Tutorial 2 Electric Actuators
- 9. Balancing eBooks and Physical Books Instrumentation And Control Tutorial 2 Electric Actuators
 - Benefits of a Digital Library
 - Creating a Diverse Reading Collection Instrumentation And Control Tutorial 2 Electric Actuators
- 10. Overcoming Reading Challenges
 - Dealing with Digital Eye Strain
 - Minimizing Distractions
 - Managing Screen Time
- 11. Cultivating a Reading Routine Instrumentation And Control Tutorial 2 Electric Actuators
 - Setting Reading Goals Instrumentation And Control Tutorial 2 Electric Actuators
 - Carving Out Dedicated Reading Time
- 12. Sourcing Reliable Information of Instrumentation And Control Tutorial 2 Electric Actuators
 - Fact-Checking eBook Content of Instrumentation And Control Tutorial 2 Electric Actuators
 - Distinguishing Credible Sources

13. Promoting Lifelong Learning
 - Utilizing eBooks for Skill Development
 - Exploring Educational eBooks
14. Embracing eBook Trends
 - Integration of Multimedia Elements
 - Interactive and Gamified eBooks

Instrumentation And Control Tutorial 2 Electric Actuators Introduction

In today's digital age, the availability of Instrumentation And Control Tutorial 2 Electric Actuators books and manuals for download has revolutionized the way we access information. Gone are the days of physically flipping through pages and carrying heavy textbooks or manuals. With just a few clicks, we can now access a wealth of knowledge from the comfort of our own homes or on the go. This article will explore the advantages of Instrumentation And Control Tutorial 2 Electric Actuators books and manuals for download, along with some popular platforms that offer these resources. One of the significant advantages of Instrumentation And Control Tutorial 2 Electric Actuators books and manuals for download is the cost-saving aspect. Traditional books and manuals can be costly, especially if you need to purchase several of them for educational or professional purposes. By accessing Instrumentation And Control Tutorial 2 Electric Actuators versions, you eliminate the need to spend money on physical copies. This not only saves you money but also reduces the environmental impact associated with book production and transportation. Furthermore, Instrumentation And Control Tutorial 2 Electric Actuators books and manuals for download are incredibly convenient. With just a computer or smartphone and an internet connection, you can access a vast library of resources on any subject imaginable. Whether you're a student looking for textbooks, a professional seeking industry-specific manuals, or someone interested in self-improvement, these digital resources provide an efficient and accessible means of acquiring knowledge. Moreover, PDF books and manuals offer a range of benefits compared to other digital formats. PDF files are designed to retain their formatting regardless of the device used to open them. This ensures that the content appears exactly as intended by the author, with no loss of formatting or missing graphics. Additionally, PDF files can be easily annotated, bookmarked, and searched for specific terms, making them highly practical for studying or referencing. When it comes to accessing Instrumentation And Control Tutorial 2 Electric Actuators books and manuals, several platforms offer an extensive collection of resources. One such platform is Project Gutenberg, a nonprofit organization that provides over 60,000 free eBooks. These books are primarily in the public domain, meaning they can be freely distributed and downloaded. Project Gutenberg offers a wide range of classic literature, making it an excellent resource for literature enthusiasts. Another popular platform for Instrumentation And Control Tutorial 2 Electric Actuators

books and manuals is Open Library. Open Library is an initiative of the Internet Archive, a non-profit organization dedicated to digitizing cultural artifacts and making them accessible to the public. Open Library hosts millions of books, including both public domain works and contemporary titles. It also allows users to borrow digital copies of certain books for a limited period, similar to a library lending system. Additionally, many universities and educational institutions have their own digital libraries that provide free access to PDF books and manuals. These libraries often offer academic texts, research papers, and technical manuals, making them invaluable resources for students and researchers. Some notable examples include MIT OpenCourseWare, which offers free access to course materials from the Massachusetts Institute of Technology, and the Digital Public Library of America, which provides a vast collection of digitized books and historical documents. In conclusion, Instrumentation And Control Tutorial 2 Electric Actuators books and manuals for download have transformed the way we access information. They provide a cost-effective and convenient means of acquiring knowledge, offering the ability to access a vast library of resources at our fingertips. With platforms like Project Gutenberg, Open Library, and various digital libraries offered by educational institutions, we have access to an ever-expanding collection of books and manuals. Whether for educational, professional, or personal purposes, these digital resources serve as valuable tools for continuous learning and self-improvement. So why not take advantage of the vast world of Instrumentation And Control Tutorial 2 Electric Actuators books and manuals for download and embark on your journey of knowledge?

FAQs About Instrumentation And Control Tutorial 2 Electric Actuators Books

1. Where can I buy Instrumentation And Control Tutorial 2 Electric Actuators books? Bookstores: Physical bookstores like Barnes & Noble, Waterstones, and independent local stores. Online Retailers: Amazon, Book Depository, and various online bookstores offer a wide range of books in physical and digital formats.
2. What are the different book formats available? Hardcover: Sturdy and durable, usually more expensive. Paperback: Cheaper, lighter, and more portable than hardcovers. E-books: Digital books available for e-readers like Kindle or software like Apple Books, Kindle, and Google Play Books.
3. How do I choose a Instrumentation And Control Tutorial 2 Electric Actuators book to read? Genres: Consider the genre you enjoy (fiction, non-fiction, mystery, sci-fi, etc.). Recommendations: Ask friends, join book clubs, or explore online reviews and recommendations. Author: If you like a particular author, you might enjoy more of their work.
4. How do I take care of Instrumentation And Control Tutorial 2 Electric Actuators books? Storage: Keep them away from direct sunlight and in a dry environment. Handling: Avoid folding pages, use bookmarks, and handle them with clean

- hands. Cleaning: Gently dust the covers and pages occasionally.
5. Can I borrow books without buying them? Public Libraries: Local libraries offer a wide range of books for borrowing. Book Swaps: Community book exchanges or online platforms where people exchange books.
 6. How can I track my reading progress or manage my book collection? Book Tracking Apps: Goodreads, LibraryThing, and Book Catalogue are popular apps for tracking your reading progress and managing book collections. Spreadsheets: You can create your own spreadsheet to track books read, ratings, and other details.
 7. What are Instrumentation And Control Tutorial 2 Electric Actuators audiobooks, and where can I find them? Audiobooks: Audio recordings of books, perfect for listening while commuting or multitasking. Platforms: Audible, LibriVox, and Google Play Books offer a wide selection of audiobooks.
 8. How do I support authors or the book industry? Buy Books: Purchase books from authors or independent bookstores. Reviews: Leave reviews on platforms like Goodreads or Amazon. Promotion: Share your favorite books on social media or recommend them to friends.
 9. Are there book clubs or reading communities I can join? Local Clubs: Check for local book clubs in libraries or community centers. Online Communities: Platforms like Goodreads have virtual book clubs and discussion groups.
 10. Can I read Instrumentation And Control Tutorial 2 Electric Actuators books for free? Public Domain Books: Many classic books are available for free as they're in the public domain. Free E-books: Some websites offer free e-books legally, like Project Gutenberg or Open Library.

Find Instrumentation And Control Tutorial 2 Electric Actuators :

workplace writing planning packaging and perfecting communication

[working minds a practitioners guide to cognitive task analysis](#)

wipneus en pim boeken

[you are a little bit happier than i am tao lin](#)

young learners activity book v10 pdf teachingenglish

[zimsec o level past exam papers integrated science](#)

zeus engineering booklet

why am i afraid to tell you who i am

[winautomation for dummies your complete user guide to master the amazing winautomation tool and automate anything](#)

[zombie survival book](#)

[young living essential oil reference guide](#)

world class warehousing and material handling

[win magazine speciale dicembre 2017 by pds scribd com](#)

[world wonders 3 grammar workbook](#)

you are here art after the internet

Instrumentation And Control Tutorial 2 Electric Actuators :

the line between the line between 1 by toska lee - Sep 08 2023

web read the line between save the bacon save the world don t miss out on this it s not your typical dystopian and apocalyptic novel the line between has all the elements to make it an exciting yet moving dystopian thriller but without any disturbing events and unrealistic scenes or zombie s walking around

the line between a novel toska lee google books - Aug 07 2023

web jan 29 2019 filled with action conspiracy romance and questions of whom and what to believe the line between is a high octane story of survival and love in a world on the brink of madness from the

[the line between a novel english edition kindle ausgabe amazon de](#) - Feb 01 2023

web the line between a novel english edition ebook lee toska amazon de kindle shop

the lines between us a novel kindle edition amazon com - Feb 18 2022

web sep 8 2020 the lines between us a novel kindle edition by rebecca d harlingue author format kindle edition 157 ratings see all formats and editions kindle 9 49 read with our free app paperback 12 49 12 used from

the line between a novel kindle edition amazon com au - Nov 29 2022

web a deftly crafted dystopian novel showcasing author toska lee s impressive flair for blending conspiracy and romance with action and paranoia level scepticism in an all too believable near future the line between is one of those exceptional works of literature that will linger in the mind memory and nightmare dreams of the reader long after

the line between a novel kindle edition amazon ca - Dec 31 2022

web the line between a novel in this frighteningly believable thriller from bestselling author and master storyteller toska lee an extinct disease re emerges from the melting alaskan permafrost and causes madness in its victims

the line between a novel 1 amazon com - Oct 09 2023

web jan 29 2019 steven james bestselling author of every wicked man a deftly crafted dystopian novel showcasing author toska lee s impressive flair for blending conspiracy and romance with action and paranoia level scepticism in an all too believable near future the line between is one of those exceptional works of literature that will linger in the mind

[the line between a novel toska lee google books](#) - Apr 03 2023

web filled with action conspiracy romance and questions of whom and what to believe the line between is a high octane story of survival and love in a world on the brink of madness

the line between a novel english edition kindle edition amazon de - Oct 29 2022

web the line between a novel english edition ebook lee toska amazon de kindle store

[the line between a novel english edition versión kindle](#) - May 24 2022

web lee ahora en digital con la aplicación gratuita kindle

the line between a novel english edition edición kindle - Jul 26 2022

web the line between a novel english edition ebook lee toska amazon com mx tienda kindle

[the line between a novel kindle edition amazon com](#) - Jul 06 2023

web jan 29 2019 in this frighteningly believable thriller from new york times bestselling author and master storyteller toska lee an extinct disease re emerges from the melting alaskan permafrost and causes madness in its victims for recent apocalyptic cult escapee wynter roth it s the end she d always been told was coming

[between the lines between the lines 1 by tammara webber goodreads](#) - Mar 22 2022

web apr 29 2011 emma is experiencing a building desire to be normal and starring in a silly modernized adaptation of one of her favorite novels opposite the very hot reid alexander isn t going to advance that aspiration indie actor graham douglas isn t overly picky when it comes to film roles if it pays he ll do it besides his friend brooke cameron

the line between a novel english edition format kindle - Jun 24 2022

web achetez et téléchargez ebook the line between a novel english edition boutique kindle suspense amazon fr

[the line between series by toska lee goodreads](#) - Mar 02 2023

web book 2 a single light by toska lee 4 07 1 922 ratings 435 reviews published 2019 1 edition in this sequel to the line between cult escapee w more want to read rate it the line between the line between 1 and a single light the line between 2

the line between book by toska lee simon schuster - Aug 27 2022

web a deftly crafted dystopian novel showcasing author toska lee s impressive flair for blending conspiracy and romance with action and paranoia level scepticism in an all too believable near future the line between is one of those exceptional works of literature that will linger in the mind memory and nightmare dreams of the reader long after

[the line between a novel by toska lee barnes noble](#) - May 04 2023

web jan 29 2019 in this frighteningly believable thriller from new york times bestselling author and master storyteller toska lee an extinct disease re emerges from the melting alaskan permafrost and causes madness in its victims for recent apocalyptic cult escapee wynter roth it s the end she d always been told was coming

the line between a novel english edition ebook kindle - Apr 22 2022

web compre the line between a novel english edition de lee tosca na amazon com br confira também os ebooks mais vendidos lançamentos e livros digitais exclusivos the line between a novel english edition ebooks em inglês na amazon com br

the line between a novel kindle edition amazon co uk - Jun 05 2023

web audiobook 0 00 free with your audible trial in this frighteningly believable thriller from new york times bestselling author and master storyteller tosca lee an extinct disease re emerges from the melting alaskan permafrost and causes madness in its victims

the line between a thriller 1 amazon com - Sep 27 2022

web aug 13 2019 filled with action conspiracy romance and questions of whom and what to believe the line between is a high octane story of survival and love in a world on the brink of madness from the queen of psychological twists new york times bestselling author steena holmes read more book 1 of 2 the line between

dictionnaire ma c dico psycho la c gal des normes pdf - Feb 10 2022

web dictionnaire ma c dico psycho la c gal des normes 1 dictionnaire ma c dico psycho la c gal des normes when somebody should go to the ebook stores search opening by shop shelf by shelf it is really problematic this is why we present the book compilations in this website it will categorically ease you to see guide dictionnaire ma c dico

dictionnaire psychologie psychanalyse cours univ fr - May 16 2022

web médicaments de la famille des benzodiazépines destinés à réduire l anxiété ils sont aussi connus sous le nom de tranquillisants mineurs aperception capacité à percevoir d après ses expériences individuelles antérieures son vécu aphasie perturbation du langage due à une lésion cérébrale sans atteinte fonctionnelle de la

dictionnaire ma c dico psycho la c gal des normes - Aug 19 2022

web dictionary catalog of the research libraries of the new york public library 1911 1971 dictionnaire ma c dico psycho la c gal des normes downloaded from demo1 woodropship com by guest lam mata athenaeum bloomsbury publishing usa this textbook includes all 13 chapters of français interactif it accompanies

dictionnaire ma c dico psycho la c gal des normes pdf sql - Oct 01 2023

web 2 dictionnaire ma c dico psycho la c gal des normes 2020 02 26 processes the cefr companion volume represents another step in a process of engagement with language education that has been pursued by the council of europe since 1971 and which seeks to promote and support the learning and teaching of modern languages enhance

dictionnaire ma c dico psycho la c gal des normes download - Jan 24 2023

web dictionnaire ma c dico psycho la c gal des normes 1 if you ally obsession such a referred dictionnaire ma c dico psycho la c gal des normes book that will pay for you worth get the no question best seller from us currently from several preferred

authors if you want to entertaining books lots of novels tale jokes and more fictions

dictionnaire ma c dico psycho la c gal des normes gary b - May 28 2023

web dictionnaire ma c dico psycho la c gal des normes dictionnaire ma c dico psycho la c gal des normes 3 downloaded from nysm pfi org on 2022 08 07 by guest from language origins to neurolinguistics explore the linguistic traditions in different parts of the world examine how work in linguistics has influenced other fields and look at how it

amazon fr dictionnaire de neuropsychanalyse malaguarnera - Jun 16 2022

web 29 54 4 neuf à partir de 29 54 le présent ouvrage présente plus de 500 entrées qui se réfèrent directement ou indirectement à cette nouvelle approche nommée neuropsychanalyse Étant le premier dictionnaire du genre nous avons choisi l horizon le plus large auquel se réfère le signifiant neuropsychanalyse

dictionnaire ma c dico psycho la c gal des normes - Oct 21 2022

web dictionnaire ma c dico psycho la c gal des normes 1 dictionnaire ma c dico psycho la c gal des normes is affable in our digital library an online admission to it is set as public appropriately you can download it instantly our digital library saves in merged countries allowing you to get the most less latency period to download any of

dictionnaire ma c dico psycho la c gal des normes - Mar 14 2022

web 2 dictionnaire ma c dico psycho la c gal des normes 2019 07 30 more psychological aspects of artistic creation the conditions under which art was practised its social and cultural contexts and its conceivable historical meaning dictionnaire des dictionnaires oxford university press

dictionnaire ma c dico psycho la c gal des normes anne - Jun 28 2023

web ma c dico psycho la c gal des normes that you are looking for it will utterly squander the time however below taking into account you visit this web page it will be appropriately completely easy to get as without difficulty as download guide dictionnaire ma c dico psycho la c gal des normes it will not acknowledge many epoch as we run by

dictionnaire ma c dico psycho la c gal des normes full pdf - Nov 21 2022

web dictionnaire ma c dico psycho la c gal des normes but end up in infectious downloads rather than enjoying a good book with a cup of tea in the afternoon instead they are facing with some infectious virus inside their laptop dictionnaire ma c dico psycho la c gal des normes is available in our digital library an online access to it is

dictionnaire ma c dico psycho la c gal des normes - Feb 22 2023

web as this dictionnaire ma c dico psycho la c gal des normes it ends taking place mammal one of the favored books dictionnaire ma c dico psycho la c gal des normes collections that we have this is why you remain in the

dico psycho psychologies com - Sep 19 2022

web ce dictionnaire de la psychologie établi par des psychiatres de renom recense plus de 2000 définitions afin de vous aider

à mieux comprendre ce qui se cache derrière chaque concept et notion issus des différents domaines de la psychologie
psychiatrie psychologie clinique psychanalyse

dictionnaire ma c dico psycho la c gal des normes dev rideicon - Mar 26 2023

web dictionnaire ma c dico psycho la c gal des normes abnormal livres de france dictionnaire de la langue française
contenant la nomenclature la grammaire la signification des mots la partie historique l'étymologie dico plus cambridge
advanced learner s dictionary klett version dictionnaire de la langue française

dictionnaire ma c dico psycho la c gal des normes - Jul 18 2022

web feb 28 2023 dictionnaire ma c dico psycho la c gal des normes this is likewise one of the factors by obtaining the soft
documents of this dictionnaire ma c dico psycho la c gal des normes by online you might not require more grow old to spend
to go to the books launch as skillfully as search for them in some cases you likewise reach not

dictionnaire ma c dico psycho la c gal des normes wrbb neu - Dec 23 2022

web 2 dictionnaire ma c dico psycho la c gal des normes 2019 12 23 editions quintessence reprint of the original first
published in 1874 dictionnaire de la langue française unesco michel foucault examines the archeology of madness in the west
from 1500 to 1800 from the late middle ages when insanity was still considered part of

dictionnaire ma c dico psycho la c gal des normes pdf - Jul 30 2023

web dictionnaire ma c dico psycho la c gal des normes 1 dictionnaire ma c dico psycho la c gal des normes madness and
civilization dictionnaire des dictionnaires oxford english dictionary the use and abuse of efl dictionaries livres de france
nature common european framework of reference for languages learning teaching

dictionnaire ma c dico psycho la c gal des normes download - Apr 14 2022

web dictionnaire ma c dico psycho la c gal des normes 3 3 unconventional english eric honeywood partridge renowned
philologist etymologist and lexicographer dedicated his life to the study of language but it is for his work on slang and in
particular for his flagship dictionary the dictionary of slang and unconventional english that he is

dictionnaire ma c dico psycho la c gal des normes - Aug 31 2023

web dictionnaire ma c dico psycho la c gal des normes 1 dictionnaire ma c dico psycho la c gal des normes the dictionary of
national biography founded in 1882 by george smith from the beginnings to 1900 being an epitome of the main work and its
supplement current catalog dictionnaire international des écrivains du jour

dictionnaire ma c dico psycho la c gal des normes - Apr 26 2023

web dictionnaire ma c dico psycho la c gal des normes 3 3 doubled in size since its last publication 20 years ago and the
expansion involves more than the thorough revision and addition of articles about music of the past more articles about 20th
century composers and composer performers have been added as well as topical articles

aroma antiallergie 180 allergie trattate con oli essenziali - Nov 06 2022

web 180 allergie trattate con gli oli essenziali pubblicato da il punto d incontro approfitta dello sconto del 5 spedizioni gratuite a partire da 19

aroma antiallergie 180 allergie trattate con oli - Feb 09 2023

web aroma antiallergie 180 allergie trattate con oli essenziali willem jean pierre prosdocimo m amazon com au books

aroma antiallergie macrolibrarsi - Oct 05 2022

web buy aroma antiallergie 180 allergie trattate con oli essenziali by isbn 9788880935896 from amazon s book store everyday low prices and free delivery on eligible orders

aroma antiallergie 180 allergie trattate con oli essenziali salute e - Aug 03 2022

web prenota e ritira aroma antiallergie 180 allergie trattate con oli essenziali presso la libreria coop più vicina a te

aroma antiallergie 180 allergie trattate con oli essenziali salute e - Aug 15 2023

web aroma antiallergie 180 allergie trattate con oli essenziali salute e benessere amazon com tr

aroma antiallergie 180 allergie trattate con oli essenziali - May 12 2023

web aroma antiallergie 180 allergie trattate con oli essenziali è un libro scritto da jean pierre willem pubblicato da edizioni il punto d incontro nella collana salute e benessere

aroma antiallergie 180 allergie trattate con oli essenziali - Jul 14 2023

web aroma antiallergie 180 allergie trattate con oli essenziali è un libro di jean pierre willem pubblicato da edizioni il punto d incontro nella collana salute e benessere acquista su

aroma antiallergie 180 allergie trattate con oli essenziali - Jul 02 2022

web amazon in buy aroma antiallergie 180 allergie trattate con oli essenziali book online at best prices in india on amazon in read aroma antiallergie 180 allergie trattate con

aroma antiallergie 180 allergie trattate con oli essenziali - Sep 04 2022

web aroma antiallergie 180 allergie trattate con oli essenziali salute e benessere willem jean pierre prosdocimo m amazon es libros

aromaterapi ve tedavisi nedir medical park hastaneler grubu - Jan 28 2022

web Ücretsiz İngilizce türkçe sözlükte aroma ın karşılığı ve başka pek çok türkçe çeviri

aroma antiallergie 180 allergie trattate con oli essenziali - Mar 10 2023

web acquista aroma antiallergie 180 allergie trattate con oli essenziali su libreria universitaria spedizione gratuita sopra i 25 euro su libreria universitaria

tureng aroma türkçe İngilizce sözlük - Nov 25 2021

web 29 yorum alanya bölgesindeki 574 otel arasında 280 sırada yer temizlik hizmet değeri alanya da otel bulmak ille de zor olacak değil sizin gibi gezginler için harika bir seçenek

aroma antiallergie 180 allergie trattate con oli essenziali - Apr 11 2023

web acquista online il libro aroma antiallergie 180 allergie trattate con oli essenziali di jean pierre willem in offerta a prezzi imbattibili su monadori store

aroma türkçe Çeviri bab la İngilizce türkçe sözlük - Dec 27 2021

web İngilizce türkçe online sözlük tureng kelime ve terimleri çevir ve farklı aksanlarda sesli dinleme aroma aroma aroma aroma aroma oil aroma yağı aroma koku kuvvetli ve

aroma antiallergie 180 allergie trattate con oli essenziali - Jun 13 2023

web compra aroma antiallergie 180 allergie trattate con oli essenziali spedizione gratuita su ordini idonei aroma antiallergie 180 allergie trattate con oli essenziali

aroma antiallergie 180 allergie trattate con oli essenziali - Dec 07 2022

web aroma antiallergie 180 allergie trattate con oli essenziali on amazon com free shipping on qualifying offers aroma antiallergie 180 allergie trattate con oli essenziali

aroma antiallergie 180 allergie trattate con oli pdf free - Mar 30 2022

web antiallergie 180 allergie trattate con oli pdf nov 04 2021 aroma antiallergie 180 allergie trattate con oli 2 2 downloaded from uniport edu ng on april 4 2023 by guest

aroma alanya türkiye otel yorumları tripadvisor - Oct 25 2021

web aug 27 2021 aroma kelimesi dilimizde oldukça kullanılan kelimelerden birisidir aroma İtalyanca dilinden türkçe mize geçmiştir tdk ye göre aroma kelimesi anlamı şu

aroma antiallergie 180 allergie trattate con oli essenziali willem - Jan 08 2023

web aroma antiallergie 180 allergie trattate con oli essenziali è un libro di willem jean pierre pubblicato da edizioni il punto d incontro nella collana salute e benessere con

aroma ne demek tdk ya göre aroma sözlük anlamı nedir - Sep 23 2021

amazon in buy aroma antiallergie 180 allergie trattate con oli - Jun 01 2022

web compre online aroma antiallergie 180 allergie trattate con oli essenziali de willem jean pierre prodocimo m na amazon frete grátis em milhares de produtos com o

aroma antiallergie 180 allergie trattate con oli essenziali - Apr 30 2022

web extracts and bioactive compounds obtained from mushrooms have been used medicinally as anticancer

immunomodulator antibacterial antiviral anti inflammatory anti

aromaantiallergie180allergietrattateconoli - Feb 26 2022

web aromaterapi bitkilerin kök yaprak veya çiçeğini damıtarak elde edilen yağların hastalıkları önlemek ve oluşmuş olan hastalıkları da tedavi etmek amacı ile kullanılmasıdır