

## Free Companion Website

Consists of 736 pages of heavily illustrated text covering the Ordered and Synchronous technologies in Part, Sheet Metal, and Surface modeling environments; as well as the Assembly design and Drafting environments of Solid Edge.

**Tickoo-CAD/CIM Series**

Best Textbooks at Affordable Prices

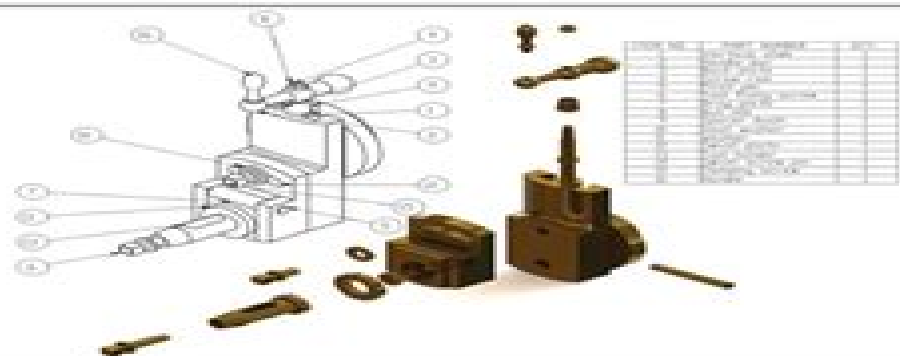


# Solid Edge ST8

## for Designers, 13<sup>th</sup> Edition

### Free Resources for Faculty and Students

- . Online technical support by contacting [techsupport@cadcim.com](mailto:techsupport@cadcim.com)
- . Part files used in tutorials, exercises\*, and illustrations
- . Customizable PowerPoint presentations of all chapters\*
- . Instructor Guide with solutions to all review questions and exercises\*  
(\* For faculty only)



Also available as eBook  
<http://ebooks.cadcim.com>

Revised & Updated Edition

**Sham Tickoo**  
Purdue University Calumet, USA

# Solid Edge St8 For Designers 13th Edition

**Sham Tickoo**



## **Solid Edge St8 For Designers 13th Edition:**

**Learning SOLIDWORKS 2019: A Project Based Approach, 3rd Edition** Prof. Sham Tickoo, 2019-10-22 Learning SOLIDWORKS 2019 A Project Based Approach book introduces the readers to SOLIDWORKS 2019 the world's leading parametric solid modeling package In this book the author has adopted a project based approach to explain the fundamental concepts of SOLIDWORKS This unique approach has been used to explain the creation of parts assemblies and drawings of a real world model The Learning SOLIDWORKS 2019 book will provide the users a sound and practical knowledge of the software while creating a motor cycle as the real world model This knowledge will guide the users to create their own projects in an easy and effective manner Salient Features Chapters organized in a pedagogical sequence Summarized content on the first page of the topics that are covered in the chapter Real world mechanical engineering problems used as tutorials and projects with step by step explanation Additional information throughout the book in the form of notes and tips Self Evaluation Tests and Review Questions at the end of each chapter to help the users assess their knowledge Table of Contents Chapter 1 Introduction to SOLIDWORKS 2019 Chapter 2 Creating Front Axle Rear Axle and Disc Plate Chapter 3 Creating Rim Front Tire and Rear Tire Chapter 4 Creating Caliper Piston Pad and Body Chapter 5 Creating Fork Tube Holder and Bodies Chapter 6 Creating Handlebar and Handle Holders Chapter 7 Creating Muffler Clamp Swing Arm and Headlight Clamp Chapter 8 Creating Shock Absorber and Engine Parts Chapter 9 Creating Mudguard Fuel Tank Headlight Mask and Seat Cover Chapter 10 Creating Weldment Structural Frame and Seat frame Chapter 11 Creating Motorcycle Assembly Chapter 12 Generating Drawing Views Index

**AutoCAD MEP 2018 for Designers, 4th Edition** Prof. Sham Tickoo, 2017-08-20 AutoCAD MEP 2018 for Designers book is written to help the readers effectively use the designing and drafting tools of AutoCAD MEP 2018 This book provides detailed description of the tools that are commonly used in designing HVAC system piping system and plumbing system as well as in designing the electrical layout of a building The AutoCAD MEP 2018 for Designers book further elaborates on the procedure of generating the schematic drawings of a system which are used for schematic representation of a system Special emphasis has been laid on the introduction of concepts which have been explained using text along with graphical examples The examples and tutorials used in this book ensure that the users can relate the information provided in this textbook with the practical industry designs Salient Features Consists of 9 chapters and 2 real world projects that are organized in pedagogical sequence The author has followed the tutorial approach to explain various concepts of AutoCAD MEP 2018 Detailed explanation of AutoCAD MEP 2018 commands and tools The first page of every chapter summarizes the topics that are covered in it Consists of hundreds of illustrations and a comprehensive coverage of AutoCAD MEP 2018 concepts and techniques Step by step instructions that guide the users through the learning process More than 10 real world mechanical engineering designs as tutorials and projects Additional information is provided throughout the book in the form of notes and tips Self Evaluation Tests and Review Questions at the

end of each chapter so that the users can assess their knowledge Technical support by contacting techsupport cadcim com Additional learning resources at <https://allaboutcadcam.blogspot.com> Table of Contents Chapter 1 Introduction to AutoCAD MEP Chapter 2 Getting Started with AutoCAD MEP Chapter 3 Working with Architecture Workspace Chapter 4 Creating an HVAC System Chapter 5 Creating Piping System Chapter 6 Creating Plumbing System Chapter 7 Creating Electrical System Layout Chapter 8 Representation and Schedules Chapter 9 Working with Schematics Project 1 Creating Complete System of a Forging Plant Project 2 Creating Complete Commercial Office Building Index

**AutoCAD Electrical 2018 for Electrical Control Designers, 9th Edition** Prof. Sham Tickoo,2017-08-14 The AutoCAD Electrical 2018 for Electrical Control Designers book has been written to assist the engineering students and the practicing designers who are new to AutoCAD Electrical Using this book the readers can learn the application of basic tools required for creating professional electrical control drawings with the help of AutoCAD Electrical Keeping in view the varied requirements of the users this book covers a wide range of tools and features such as schematic drawings Circuit Builder panel drawings parametric and nonparametric PLC modules stand alone PLC I O points ladder diagrams point to point wiring diagrams report generation creation of symbols and so on This will help the readers to create electrical drawings easily and effectively Special emphasis has been laid on the introduction of concepts which have been explained using text and supported with graphical examples The examples and tutorials used in this book ensure that the users can relate the information provided in this book with the practical industry designs Salient Features Consists of 13 chapters and 2 projects that are organized in a pedagogical sequence Comprehensive coverage of AutoCAD Electrical 2018 concepts and techniques Tutorial approach to explain the concepts of AutoCAD Electrical 2018 Detailed explanation of all commands and tools Summarized content on the first page of the topics that are covered in the chapter Hundreds of illustrations for easy understanding of concepts Step by step instructions to guide the users through the learning process Emphasis on Why and How with explanation More than 45 tutorials and projects Additional information throughout the book in the form of notes and tips Self Evaluation Tests and Review Questions at the end of each chapter to help the users assess their knowledge Technical support by contacting techsupport cadcim com Table of Contents Chapter 1 Introduction to AutoCAD Electrical 2018 Chapter 2 Working with Projects and Drawings Chapter 3 Working with Wires Chapter 4 Creating Ladders Chapter 5 Schematic Components Chapter 6 Schematic Editing Chapter 7 Connectors Point to Point Wiring Diagrams and Circuits Chapter 8 Panel Layouts Chapter 9 Schematic and Panel Reports Chapter 10 PLC Modules Chapter 11 Terminals Chapter 12 Settings Configurations Templates and Plotting Chapter 13 Creating Symbols Project 1 Project 2 Index

**AutoCAD Electrical 2020 for Electrical Control Designers, 11th Edition** Prof. Sham Tickoo,CADCIM Technologies,2020-06-24 The AutoCAD Electrical 2020 for Electrical Control Designers book has been written to assist the engineering students and the practicing designers who are new to AutoCAD Electrical Using this book the readers can learn the application of basic tools required for creating professional

electrical control drawings with the help of AutoCAD Electrical Keeping in view the varied requirements of the users this book covers a wide range of tools and features such as schematic drawings Circuit Builder panel drawings parametric and nonparametric PLC modules stand alone PLC I O points ladder diagrams point to point wiring diagrams report generation creation of symbols and so on This will help the readers to create electrical drawings easily and effectively Salient Features Consists of 13 chapters and 2 projects that are organized in a pedagogical sequence Comprehensive coverage of AutoCAD Electrical 2020 concepts and techniques Tutorial approach to explain the concepts of AutoCAD Electrical 2020 Detailed explanation of all commands and tools Summarized content on the first page of the topics that are covered in the chapter Hundreds of illustrations for easy understanding of concepts Step by step instructions to guide the users through the learning process More than 45 tutorials and projects Additional information throughout the book in the form of notes and tips Self Evaluation Tests and Review Questions at the end of each chapter to help the users assess their knowledge Table of Contents Chapter 1 Introduction to AutoCAD Electrical 2020 Chapter 2 Working with Projects and Drawings Chapter 3 Working with Wires Chapter 4 Creating Ladders Chapter 5 Schematic Components Chapter 6 Schematic Editing Chapter 7 Connectors Point To Point Wiring Diagrams and Circuits Chapter 8 Panel Layouts Chapter 9 Schematic and Panel Reports Chapter 10 PLC Modules Chapter 11 Terminals Chapter 12 Settings Configuration Templates and Plotting Chapter 13 Creating Symbols Project 1 Project 2 For free download Index

[Autodesk Fusion 360: A Tutorial Approach](#) Prof. Sham Tickoo, 2018-06-26 Autodesk Fusion 360 A Tutorial Approach Introduces the readers to Autodesk Fusion 360 the first 3D CAD CAM CAE tool that connects the entire product development process in a single cloud based platform where different design teams work together in hybrid environment and harness the power of the cloud when necessary as well as use local resources The chapters in this book are arranged in pedagogical sequence that makes it very effective in learning the features and capabilities of the software This book covers all important topics and concepts such as Part Design Assembly Design Drafting Animation Basics of Sheet Metal Salient Features Book consisting of 10 chapters that are organized in a pedagogical sequence Summarized content on the first page of the topics that are covered in the chapter More than 40 real world mechanical engineering problems used as tutorials and projects with step by step explanation Additional information throughout the book in the form of notes and tips Self Evaluation Tests and Review Questions at the end of each chapter to help the users assess their knowledge Technical support by contacting techsupport cadcim com Additional learning resources at <https://allaboutcadcam.blogspot.com> Table of Contents Chapter 1 Introduction Chapter 2 Drawing Sketches for Solid Models Chapter 3 Adding Constraints and Dimensions to Sketches Chapter 4 Advance Modeling I Chapter 5 Creating Reference Geometries Chapter 6 Advance Modeling II Chapter 7 Assembling Components Chapter 8 Working with Drawing and Animation Workspace Chapter 9 Working with Sheet Metal Components Chapter 10 Managing and Collaborating on the Cloud Index Free Teaching and Learning Resources CAD/CIM Technologies provides the following free teaching and learning

resources with this textbook Technical support by contacting [techsupport\\_cadcam.com](mailto:techsupport_cadcam.com) Part files used in tutorials exercises and illustrations Instructor Guide with solution to all review questions and exercises Additional learning resources at <https://allaboutcadcam.blogspot.com> and [youtube.com/cadcamtech](https://youtube.com/cadcamtech) For faculty only

*Advanced AutoCAD 2018: A Problem-Solving Approach, 3D and Advanced, 24th Edition* Prof. Sham Tickoo, 2017-07-31 The *Advanced AutoCAD 2018 A Problem Solving Approach 3D and Advanced 24th Edition* book contains detailed explanation of AutoCAD commands and their applications to solve design problems Every AutoCAD command is thoroughly explained with the help of examples and illustrations This makes it easy for the users to understand the functions and applications of the tools and commands After reading this book you will be able to create 3D objects apply materials to objects generate drafting views of a model create surface or mesh objects and render and animate designs and understand 3D Printing The book covers designing concepts in detail as well as provides elaborative description of technical drawing in AutoCAD including orthographic projections dimensioning principles sectioning auxiliary views and assembly drawings While going through this book you will discover some new unique applications of AutoCAD that will have a significant effect on your drawings and designs The book also covers the 3D printing tools introduced in AutoCAD

**Salient Features** Comprehensive book consisting 14 chapters that are organized in a pedagogical sequence Detailed explanation of all commands and tools Summarized content on the first page of the topics that are covered in the chapter Hundreds of illustrations for easy understanding of concepts Step by step instructions to guide the users through the learning process More than 25 real world mechanical engineering designs as examples Additional information throughout the book in the form of notes and tips Self Evaluation Tests and Review Questions at the end of the chapters to help the users assess their knowledge Technical support by contacting [techsupport\\_cadcam.com](mailto:techsupport_cadcam.com) Additional learning resources at <https://allaboutcadcam.blogspot.com>

**Table of Contents** Chapter 1 The User Coordinate System Chapter 2 Getting Started with 3D Chapter 3 Creating Solid Models Chapter 4 Editing 3D Objects I Chapter 5 Editing 3D Objects II Chapter 6 Surface Modeling Chapter 7 Mesh Modeling Chapter 8 Rendering and Animating Designs Chapter 9 AutoCAD on Internet and 3D Printing Chapter 10 Script Files and Slide Shows Chapter 11 Creating Linetypes and Hatch Patterns Chapter 12 Customizing the acad pgp File Chapter 13 Conventional Dimensioning and Projection Theory Using AutoCAD Chapter 14 Isometric Drawings Index

*Exploring Autodesk Navisworks 2017, 4th Edition* Prof. Sham Tickoo, 2017-02-19 *Exploring Autodesk Navisworks 2017* is a comprehensive book that has been written to cater to the needs of the students and the professionals who are involved in the AEC profession In *Navisworks 2017* book the author has emphasized various hands on tools for real time navigation reviewing models creating 4D and 5D simulation quantifying various elements performing clash detection rendering with Presenter and Autodesk Rendering graphics creating animation and advanced tools for selection through tutorials and exercises In this book along with the main text the chapters have been punctuated with tips and notes to give additional information on the concept thereby enabling you to create your own innovative projects

**Salient Features**

392 pages of heavily illustrated text Covers detailed description of the tools of Navisworks 2017 Explains the concepts using real world projects and examples focusing on industry experience Covers advanced functions such as creating visualizations with Autodesk Rendering Covers topics such as how to import a file in different formats navigate around the merged 3D model manage annotations and documentation coordinate schedules with TimeLiner and estimate project with Quantification Includes an exercise on creating car animation using Animator and Scripser tool Provides step by step explanation that guide the users through the learning process Effectively communicates the utility of Navisworks 2017 Self Evaluation Test and Review Questions at the end of chapters for reviewing the concepts learned in the chapters Table of Contents Chapter 1 Introduction to Autodesk Navisworks 2016 Chapter 2 Exploring the Navigation Tools in Navisworks Chapter 3 Selecting Controlling and Reviewing Objects Chapter 4 Viewpoints Sections and Animations Chapter 5 TimeLiner Chapter 6 Working with Animator and Scripser Chapter 7 Quantification Chapter 8 Clash Detection Chapter 9 Autodesk Rendering in Navisworks Index

*Solid Edge ST8 for Designers* Sham Tickoo,2012      **Solid Edge St5 for Designers** Sham Tickoo,2014-02

Solid Edge ST5 for Designers introduces the reader to Solid Edge with Synchronous Technology Solid Edge is one of the world s leading parametric solid modeling packages With Synchronous Technology Solid Edge redefines the rules for 3D modeling It combines the speed and flexibility of modeling with precise control of dimension driven design thereby generating tremendous productivity gains over traditional methods In this release of Solid Edge the synchronous modeling and the traditional modeling environments are integrated into a single environment In this textbook the author emphasizes on the solid modeling and editing techniques that enhance the productivity and efficiency of the user This textbook consists of 15 chapters structured in a pedagogical sequence covering the Part Assembly Drafting and Sheet Metal environments of Solid Edge ST5 Both Synchronous and Ordered environments are discussed throughout this book Every chapter begins with a tools section that provides a brief information of the Solid Edge tools Each chapter provides you with tutorials that are created using these commands This approach allows the user to use this textbook initially as a learning tool and then as a reference material Following are the additional features of this book Detailed explanation of Solid Edge ST5 tools More than 50 real world mechanical engineering designs as tutorials 45 as exercises and projects with step by step explanation The first page of every chapter summarizes the topics that are covered in the chapter Emphasis on Why and How with explanation Tips and Notes throughout the textbook 736 pages with heavily illustrated text Self Evaluation Tests Review Questions and Exercises at the end of each chapter

*Solid Edge 2019 for Designers, 16th Edition* Prof. Sham Tickoo,2019

Solid Edge 2019 for Designers book introduces the readers to Solid Edge 2019 one of the world s leading parametric solid modeling packages This book consists of 15 chapters structured in a pedagogical sequence covering the Part Assembly Drafting and Sheet Metal environments of Solid Edge 2019 Both Synchronous and Ordered environments are discussed throughout this book In this book 3D Sketching is also discussed in both Synchronous and Ordered environments 3D Sketching combines the

speed and flexibility of modeling with precise control on dimension driven designs thereby providing tremendous productivity gains over traditional methods Additionally in this book the author emphasizes on the solid modeling and editing techniques that enhance the productivity and efficiency of the users Also chapters are provided with tutorials that are created using the commands discussed in the chapter This approach allows the users to use this book initially as a learning tool and then as a reference material Salient Features Consists of 15 chapters that are organized in a pedagogical sequence Comprehensive coverage of Solid Edge 2019 concepts and techniques Hundreds of illustrations for easy understanding of concepts Self Evaluation Tests and Review Questions at the end of the chapters to help the users assess their knowledge Table of Contents Chapter 1 Introduction to Solid Edge 2019 Chapter 2 Drawing Sketches Chapter 3 Adding Relationships and Dimensions to Sketches Chapter 4 Editing Extruding and Revolving the Sketches Chapter 5 Working with Additional Reference Geometries Chapter 6 Advanced Modeling Tools I Chapter 7 Editing Features Chapter 8 Advanced Modeling Tools II Chapter 9 Advanced Modeling Tools III Chapter 10 Assembly Modeling I Chapter 11 Assembly Modeling II Chapter 12 Generating Editing and Dimensioning Drawing Views Chapter 13 Surface Modeling Chapter 14 Sheet Metal Design Chapter 15 Introduction to Convergent Modeling Student Projects Index

**Solid Edge St for Designers** Sham Tickoo,2009-02-10 *Solid Edge 2024 for Designers, 21st Edition* Prof. Sham Tickoo,2024-08-02 Solid Edge 2024 for Designers book introduces the readers to Solid Edge 2024 one of the world s leading parametric solid modeling packages Consisting of 15 chapters the book covers the Part Assembly Drafting and Sheet Metal environments of Solid Edge 2024 Both synchronous and ordered environments are discussed throughout this book Also 3D sketching is discussed in both synchronous and ordered environments 3D sketching combines the speed and flexibility of modeling with precise control on dimension driven designs thereby providing tremendous productivity gains over traditional methods The author emphasizes on the solid modeling and editing techniques that enhance the productivity and efficiency of the users In addition chapters have tutorials and exercises that are based on the tools discussed in the chapter to help users initially learn the tools and concepts and then understand their practical usage and working Salient Features Comprehensive coverage of Solid Edge 2024 concepts and techniques Detailed explanation of all commands and tools Tutorial approach to explain concepts Hundreds of illustrations for easy understanding of concepts Step by step instructions to guide the users through the learning process Additional information throughout the book in the form of notes and tips Real world mechanical engineering designs as tutorials exercises and projects Self Evaluation Tests and Review Questions for tests Part files used in tutorials exercises and illustrations Instructor Guide with solution to all review questions and exercises Additional learning resources at <https://allaboutcadcam.blogspot.com> and [youtube.com/cadcimtech](https://youtube.com/cadcimtech) Table of Contents Chapter 1 Introduction to Solid Edge 2024 Chapter 2 Sketching Dimensioning and Creating Base Features and Drawings Chapter 3 Adding Relationships and Dimensions to Sketches Chapter 4 Editing Extruding and Revolving the Sketches Chapter 5 Working with Additional Reference Geometries Chapter 6 Advanced

Modeling Tools I Chapter 7 Editing Features Chapter 8 Advanced Modeling Tools II Chapter 9 Advanced Modeling Tools III Chapter 10 Assembly Modeling I Chapter 11 Assembly Modeling II Chapter 12 Generating Editing and Dimensioning Drawing Views Chapter 13 Surface Modeling Chapter 14 Sheet Metal Design Chapter 15 Introduction to Convergent Modeling Student Projects Index *Solid Edge 2023 for Designers, 20th Edition* Prof. Sham Tickoo, 2023-05-29 Solid Edge 2023 for Designers book introduces the readers to Solid Edge 2023 one of the world's leading parametric solid modeling packages Consisting of 15 chapters the book covers the Part Assembly Drafting and Sheet Metal environments of Solid Edge 2023 Both synchronous and ordered environments are discussed throughout this book Also 3D sketching is discussed in both synchronous and ordered environments 3D sketching combines the speed and flexibility of modeling with precise control on dimension driven designs thereby providing tremendous productivity gains over traditional methods The author emphasizes on the solid modeling and editing techniques that enhance the productivity and efficiency of the users In addition chapters have tutorials and exercises that are based on the tools discussed in the chapter to help users initially learn the tools and concepts and then understand their practical usage and working Salient Features Comprehensive coverage of Solid Edge 2023 concepts and techniques Detailed explanation of all commands and tools Tutorial approach to explain concepts Hundreds of illustrations for easy understanding of concepts Step by step instructions to guide the users through the learning process Additional information throughout the book in the form of notes and tips Real world mechanical engineering designs as tutorials exercises and projects Self Evaluation Tests and Review Questions for tests Table of Contents Chapter 1 Introduction to Solid Edge 2023 Chapter 2 Sketching Dimensioning and Creating Base Features and Drawings Chapter 3 Adding Relationships and Dimensions to Sketches Chapter 4 Editing Extruding and Revolving the Sketches Chapter 5 Working with Additional Reference Geometries Chapter 6 Advanced Modeling Tools I Chapter 7 Editing Features Chapter 8 Advanced Modeling Tools II Chapter 9 Advanced Modeling Tools III Chapter 10 Assembly Modeling I Chapter 11 Assembly Modeling II Chapter 12 Generating Editing and Dimensioning Drawing Views Chapter 13 Surface Modeling Chapter 14 Sheet Metal Design Chapter 15 Introduction to Convergent Modeling Student Projects Index **Solid Edge 2020 for Designers, 17th Edition** Prof. Sham Tickoo, 2020-01-20 Solid Edge 2020 for Designers book introduces the readers to Solid Edge 2020 one of the world's leading parametric solid modeling packages Consisting of 15 chapters the book covers the Part Assembly Drafting and Sheet Metal environments of Solid Edge 2020 Both synchronous and ordered environments are discussed throughout this book Also 3D sketching is discussed in both synchronous and ordered environments 3D sketching combines the speed and flexibility of modeling with precise control on dimension driven designs thereby providing tremendous productivity gains over traditional methods The author emphasizes on solid modeling and editing techniques that enhance the productivity and efficiency of the users In addition chapters have tutorials and exercises that are based on the tools discussed in the chapter to help users initially learn the tools and concepts and then understand their practical usage and

working Salient Features Comprehensive coverage of Solid Edge 2020 concepts and techniques A detailed explanation of all commands and tools Tutorial approach to explain concepts Hundreds of illustrations for easy understanding of concepts Step by step instructions to guide the users through the learning process Additional information throughout the book in the form of notes and tips Real world mechanical engineering designs as tutorials exercises and projects Self Evaluation Tests and Review Questions for tests Table of Contents Chapter 1 Introduction to Solid Edge 2020 Chapter 2 Drawing Sketches Chapter 3 Adding Relationships and Dimensions to Sketches Chapter 4 Editing Extruding and Revolving the Sketches Chapter 5 Working with Additional Reference Geometries Chapter 6 Advanced Modeling Tools I Chapter 7 Editing Features Chapter 8 Advanced Modeling Tools II Chapter 9 Advanced Modeling Tools III Chapter 10 Assembly Modeling I Chapter 11 Assembly Modeling II Chapter 12 Generating Editing and Dimensioning Drawing Views Chapter 13 Surface Modeling Chapter 14 Sheet Metal Design Chapter 15 Introduction to Convergent Modeling Student Projects Index [Solid Edge 2021 for Designers, 18th Edition](#) Prof. Sham Tickoo,2021-02-12 Solid Edge 2021 for Designers book introduces the readers to Solid Edge 2021 one of the world s leading parametric solid modeling packages Consisting of 15 chapters the book covers the Part Assembly Drafting and Sheet Metal environments of Solid Edge 2021 Both synchronous and ordered environments are discussed throughout this book Also 3D sketching is discussed in both synchronous and ordered environments 3D sketching combines the speed and flexibility of modeling with precise control on dimension driven designs thereby providing tremendous productivity gains over traditional methods The author emphasizes on the solid modeling and editing techniques that enhance the productivity and efficiency of the users In addition chapters have tutorials and exercises that are based on the tools discussed in the chapter to help users initially learn the tools and concepts and then understand their practical usage and working Salient Features Comprehensive coverage of Solid Edge 2021 concepts and techniques Detailed explanation of all commands and tools Tutorial approach to explain concepts Hundreds of illustrations for easy understanding of concepts Step by step instructions to guide the users through the learning process Additional information throughout the book in the form of notes and tips Real world mechanical engineering designs as tutorials exercises and projects Self Evaluation Tests and Review Questions for tests Table of Contents Chapter 1 Introduction to Solid Edge 2021 Chapter 2 Drawing Sketches Chapter 3 Adding Relationships and Dimensions to Sketches Chapter 4 Editing Extruding and Revolving the Sketches Chapter 5 Working with Additional Reference Geometries Chapter 6 Advanced Modeling Tools I Chapter 7 Editing Features Chapter 8 Advanced Modeling Tools II Chapter 9 Advanced Modeling Tools III Chapter 10 Assembly Modeling I Chapter 11 Assembly Modeling II Chapter 12 Generating Editing and Dimensioning Drawing Views Chapter 13 Surface Modeling Chapter 14 Sheet Metal Design Chapter 15 Introduction to Convergent Modeling Student Projects Index [Solid Edge ST4 for Designers](#) Sham Tickoo,2012 [Solid Edge St9 for Designers](#) Prof Sham Purdue University Northwest,2016-12-21 Solid Edge ST9 for Designers textbook introduces the readers to Solid Edge ST9 one of the world s

leading parametric solid modeling packages This book consists of 15 chapters structured in a pedagogical sequence covering the Part Assembly Drafting and Sheet Metal environments of Solid Edge ST9 Both Synchronous and Ordered environments are discussed throughout this book In this textbook the 3D Sketching is also discussed in both Synchronous and Ordered environments 3D Sketching combines the speed and flexibility of modeling with precise control on dimension driven designs thereby resulting in tremendous productivity gains over traditional methods Additionally in this textbook the author emphasizes on the solid modeling and editing techniques that enhance the productivity and efficiency of the users Every chapter begins with a tools section that provides a brief information of the Solid Edge tools Also chapters are provided with tutorials and exercises that are created using the commands discussed in the chapter This approach allows the user to use this book initially as a learning tool and then as a reference material

**Solid Edge St7 for Designers** Prof Sham Tickoo Purdue Univ,Cadcim Technologies,2015-01-28 olid Edge ST7 for Designers textbook introduces the readers to Solid Edge ST7 which is one of the world s leading parametric solid modeling packages This book consists of 15 chapters structured in a pedagogical sequence covering the Part Assembly Drafting and Sheet Metal environments of Solid Edge ST7 Both Synchronous and Ordered environments are discussed throughout this book In this release of Solid Edge ST7 the 3D Sketching has been added to the Synchronous Part environment It combines the speed and flexibility of modeling with precise control of dimension driven design thereby generating tremendous productivity gains over traditional methods Additionally in this textbook the author emphasizes on the solid modeling and editing techniques that enhance the productivity and efficiency of the users Every chapter begins with a tools section that provides a brief information of the Solid Edge tools Each chapter provides you with tutorials that are created using these commands This approach allows the user to use this book initially as a learning tool and then as a reference material

Solid Edge for Designers Sham Tickoo,CADCIM Technologies,2004-01-01 Solid Edge V20 for Designers /Sham Tickoo Sham Tickoo,Surinder Mohan Raina,CADCIM Technologies,2008

## Adopting the Track of Appearance: An Emotional Symphony within **Solid Edge St8 For Designers 13th Edition**

In a world eaten by screens and the ceaseless chatter of quick communication, the melodic splendor and psychological symphony developed by the written term usually disappear in to the background, eclipsed by the persistent noise and interruptions that permeate our lives. But, set within the pages of **Solid Edge St8 For Designers 13th Edition** a stunning literary value overflowing with natural feelings, lies an immersive symphony waiting to be embraced. Constructed by a wonderful composer of language, that captivating masterpiece conducts readers on an emotional trip, well unraveling the concealed tunes and profound affect resonating within each cautiously constructed phrase. Within the depths of this touching evaluation, we can discover the book is key harmonies, analyze their enthralling publishing type, and surrender ourselves to the profound resonance that echoes in the depths of readers souls.

<https://py.bijouxmedusa.com/About/browse/default.aspx/93%20738%20weight%20loss%20strategies%20for%20startups%2093%20347%20weight%20loss%20tips%20for.pdf>

### **Table of Contents Solid Edge St8 For Designers 13th Edition**

1. Understanding the eBook Solid Edge St8 For Designers 13th Edition
  - The Rise of Digital Reading Solid Edge St8 For Designers 13th Edition
  - Advantages of eBooks Over Traditional Books
2. Identifying Solid Edge St8 For Designers 13th Edition
  - Exploring Different Genres
  - Considering Fiction vs. Non-Fiction
  - Determining Your Reading Goals
3. Choosing the Right eBook Platform
  - Popular eBook Platforms
  - Features to Look for in an Solid Edge St8 For Designers 13th Edition
  - User-Friendly Interface
4. Exploring eBook Recommendations from Solid Edge St8 For Designers 13th Edition

- Personalized Recommendations
  - Solid Edge St8 For Designers 13th Edition User Reviews and Ratings
  - Solid Edge St8 For Designers 13th Edition and Bestseller Lists
5. Accessing Solid Edge St8 For Designers 13th Edition Free and Paid eBooks
    - Solid Edge St8 For Designers 13th Edition Public Domain eBooks
    - Solid Edge St8 For Designers 13th Edition eBook Subscription Services
    - Solid Edge St8 For Designers 13th Edition Budget-Friendly Options
  6. Navigating Solid Edge St8 For Designers 13th Edition eBook Formats
    - ePub, PDF, MOBI, and More
    - Solid Edge St8 For Designers 13th Edition Compatibility with Devices
    - Solid Edge St8 For Designers 13th Edition Enhanced eBook Features
  7. Enhancing Your Reading Experience
    - Adjustable Fonts and Text Sizes of Solid Edge St8 For Designers 13th Edition
    - Highlighting and Note-Taking Solid Edge St8 For Designers 13th Edition
    - Interactive Elements Solid Edge St8 For Designers 13th Edition
  8. Staying Engaged with Solid Edge St8 For Designers 13th Edition
    - Joining Online Reading Communities
    - Participating in Virtual Book Clubs
    - Following Authors and Publishers Solid Edge St8 For Designers 13th Edition
  9. Balancing eBooks and Physical Books Solid Edge St8 For Designers 13th Edition
    - Benefits of a Digital Library
    - Creating a Diverse Reading Collection Solid Edge St8 For Designers 13th Edition
  10. Overcoming Reading Challenges
    - Dealing with Digital Eye Strain
    - Minimizing Distractions
    - Managing Screen Time
  11. Cultivating a Reading Routine Solid Edge St8 For Designers 13th Edition
    - Setting Reading Goals Solid Edge St8 For Designers 13th Edition
    - Carving Out Dedicated Reading Time
  12. Sourcing Reliable Information of Solid Edge St8 For Designers 13th Edition

- Fact-Checking eBook Content of Solid Edge St8 For Designers 13th Edition
  - Distinguishing Credible Sources
13. Promoting Lifelong Learning
- Utilizing eBooks for Skill Development
  - Exploring Educational eBooks
14. Embracing eBook Trends
- Integration of Multimedia Elements
  - Interactive and Gamified eBooks

### **Solid Edge St8 For Designers 13th Edition Introduction**

In this digital age, the convenience of accessing information at our fingertips has become a necessity. Whether its research papers, eBooks, or user manuals, PDF files have become the preferred format for sharing and reading documents. However, the cost associated with purchasing PDF files can sometimes be a barrier for many individuals and organizations. Thankfully, there are numerous websites and platforms that allow users to download free PDF files legally. In this article, we will explore some of the best platforms to download free PDFs. One of the most popular platforms to download free PDF files is Project Gutenberg. This online library offers over 60,000 free eBooks that are in the public domain. From classic literature to historical documents, Project Gutenberg provides a wide range of PDF files that can be downloaded and enjoyed on various devices. The website is user-friendly and allows users to search for specific titles or browse through different categories. Another reliable platform for downloading Solid Edge St8 For Designers 13th Edition free PDF files is Open Library. With its vast collection of over 1 million eBooks, Open Library has something for every reader. The website offers a seamless experience by providing options to borrow or download PDF files. Users simply need to create a free account to access this treasure trove of knowledge. Open Library also allows users to contribute by uploading and sharing their own PDF files, making it a collaborative platform for book enthusiasts. For those interested in academic resources, there are websites dedicated to providing free PDFs of research papers and scientific articles. One such website is Academia.edu, which allows researchers and scholars to share their work with a global audience. Users can download PDF files of research papers, theses, and dissertations covering a wide range of subjects. Academia.edu also provides a platform for discussions and networking within the academic community. When it comes to downloading Solid Edge St8 For Designers 13th Edition free PDF files of magazines, brochures, and catalogs, Issuu is a popular choice. This digital publishing platform hosts a vast collection of publications from around the world. Users can search for specific titles or explore various categories and genres. Issuu offers a seamless reading experience with its user-friendly interface and allows users to download PDF files for

offline reading. Apart from dedicated platforms, search engines also play a crucial role in finding free PDF files. Google, for instance, has an advanced search feature that allows users to filter results by file type. By specifying the file type as "PDF," users can find websites that offer free PDF downloads on a specific topic. While downloading Solid Edge St8 For Designers 13th Edition free PDF files is convenient, it's important to note that copyright laws must be respected. Always ensure that the PDF files you download are legally available for free. Many authors and publishers voluntarily provide free PDF versions of their work, but it's essential to be cautious and verify the authenticity of the source before downloading Solid Edge St8 For Designers 13th Edition. In conclusion, the internet offers numerous platforms and websites that allow users to download free PDF files legally. Whether it's classic literature, research papers, or magazines, there is something for everyone. The platforms mentioned in this article, such as Project Gutenberg, Open Library, Academia.edu, and Issuu, provide access to a vast collection of PDF files. However, users should always be cautious and verify the legality of the source before downloading Solid Edge St8 For Designers 13th Edition any PDF files. With these platforms, the world of PDF downloads is just a click away.

### FAQs About Solid Edge St8 For Designers 13th Edition Books

1. Where can I buy Solid Edge St8 For Designers 13th Edition books? Bookstores: Physical bookstores like Barnes & Noble, Waterstones, and independent local stores. Online Retailers: Amazon, Book Depository, and various online bookstores offer a wide range of books in physical and digital formats.
2. What are the different book formats available? Hardcover: Sturdy and durable, usually more expensive. Paperback: Cheaper, lighter, and more portable than hardcovers. E-books: Digital books available for e-readers like Kindle or software like Apple Books, Kindle, and Google Play Books.
3. How do I choose a Solid Edge St8 For Designers 13th Edition book to read? Genres: Consider the genre you enjoy (fiction, non-fiction, mystery, sci-fi, etc.). Recommendations: Ask friends, join book clubs, or explore online reviews and recommendations. Author: If you like a particular author, you might enjoy more of their work.
4. How do I take care of Solid Edge St8 For Designers 13th Edition books? Storage: Keep them away from direct sunlight and in a dry environment. Handling: Avoid folding pages, use bookmarks, and handle them with clean hands. Cleaning: Gently dust the covers and pages occasionally.
5. Can I borrow books without buying them? Public Libraries: Local libraries offer a wide range of books for borrowing. Book Swaps: Community book exchanges or online platforms where people exchange books.

6. How can I track my reading progress or manage my book collection? Book Tracking Apps: Goodreads, LibraryThing, and Book Catalogue are popular apps for tracking your reading progress and managing book collections. Spreadsheets: You can create your own spreadsheet to track books read, ratings, and other details.
7. What are Solid Edge St8 For Designers 13th Edition audiobooks, and where can I find them? Audiobooks: Audio recordings of books, perfect for listening while commuting or multitasking. Platforms: Audible, LibriVox, and Google Play Books offer a wide selection of audiobooks.
8. How do I support authors or the book industry? Buy Books: Purchase books from authors or independent bookstores. Reviews: Leave reviews on platforms like Goodreads or Amazon. Promotion: Share your favorite books on social media or recommend them to friends.
9. Are there book clubs or reading communities I can join? Local Clubs: Check for local book clubs in libraries or community centers. Online Communities: Platforms like Goodreads have virtual book clubs and discussion groups.
10. Can I read Solid Edge St8 For Designers 13th Edition books for free? Public Domain Books: Many classic books are available for free as they're in the public domain. Free E-books: Some websites offer free e-books legally, like Project Gutenberg or Open Library.

### **Find Solid Edge St8 For Designers 13th Edition :**

[93-738 weight loss strategies for startups](#) [93-347 weight loss tips for entrepreneurs](#) [93-2294 wearable technology trends America](#) [93-676 wearable score improvement strategies for creators](#) [93-2348 credit score](#) [93-1534 dropshipping business for beginners for startups](#) [93-833 business](#) **93-211 data science careers step by step America** **93-2026 data cloud computing tips USA** [93-2120 cloud computing tips for creators](#) [growth trends United States](#) [93-3 career growth trends for small business strategies for startups](#) **93-982 cybersecurity tips for startups** **93-1911 technology roadmap for entrepreneurs** **93-2174 wearable technology roadmap remote jobs comparison America** [93-137 remote jobs comparison America investing guide for entrepreneurs](#) [93-2760 real estate investing ideas automation ideas for creators](#) **93-1125 business automation review for entrepreneurs** [93-317 blockchain development for beginners for startups](#)

**career growth blueprint USA 93-935 career growth blueprint United States**  
investing step by step for startups 93-1804 real estate investing

**Solid Edge St8 For Designers 13th Edition :**

**free prayer calendar and printable prayer journal pdf pack** - Nov 24 2022

web jul 10 2021 instantly downloadable this petition journal printable and prayer calendar pdf pack to print right from home get the most out to prayer time in that same path the spirit comes to help his weakness we don t see what we should pray but who heart himself pleads and case using unexpressed groans prayer schedule ismaili center

**free printable prayer calendars susanldavis com** - Sep 03 2023

web printable blank prayer calendar click here to print this blank monthly prayer calendar template and make it your own by filling in your the boxes you can fill the boxes with your favorite inspirational quotes or bible passages these are reusable prayer calendars just tuck them in the word of god or stick inside your cabinet or purse

**prayer calendar free pdf download moms in prayer** - Oct 24 2022

web we pray for your blessing upon year end giving join moms in prayer as we unite in prayer for kids schools in more than 140 countries and all 50 of the united states read our prayer calendar here

*2022 prayer calendar busy blessed women* - Jul 01 2023

web let this prayer calendar help you get into the habit of praying daily and throughout the day it may even spark interest in your household to make your own prayer calendar add your own requests and make prayer a powerful habit blessings annmarie prayer calendar templates would you like to try making your own prayer calendar

**monthly prayer calendar parkside church** - Jul 21 2022

web oct 16 2023 monthly prayer calendar prayer calendar download latest prayer calendar pray also for us so states the apostle paul in a letter to believers in colosse acknowledging a somewhat stunning reality though the christians to whom he was writing were separated from him physically they could nonetheless participate in his ministry

prayer calendar pray with confidence - Apr 29 2023

web jul 9 2022 looking for a good prayer calendar to use below is a fillable prayer calendar once you download it you can write down any prayer that you would like to pray each day of the month sign up to receive the download by clicking here or on the prayer calendar below and then enjoy author

three ways to set up a monthly prayer calendar - Mar 29 2023

web apr 28 2018 1 monthly prayer list a monthly prayer list is just a piece of paper that has the numbers 1 31 listed with a name or names written next to each number i jessica like to use this format because i like looking at lists i like the order of

them typically i update them a couple times a year with new people that i want to pray for 2

**2022 prayer calendar monthly prayers printables** - May 31 2023

web there are many reasons we struggle with prayer we may need help by acquiring organized and staying focused one prayer schedule can help

free printable customizable monthly calendar templates canva - Feb 13 2022

web catch a jolt of inspiration with canva s gallery of stunning monthly calendar templates to get started plan how your month goes and get a kick of energy to get them done our collection has highly curated selections of editable monthly calendar templates that you can choose from to suit your taste

what to pray printable monthly prayer calendars bible study - Jan 27 2023

web printable monthly prayer calendars are a great way to stay on top of who plus as you need to pray for throughout the month so don t forget anyone skip for web bible how and prayer printables search for bible study printables menu toggle bible gelesen plans bible study battle

**monthly prayer calendar printable etsy singapore** - May 19 2022

web check out our monthly prayer calendar printable selection for the very best in unique or custom handmade pieces from our shops

what to pray printable monthly prayer calendars - Oct 04 2023

web you can download a blank monthly calendar template from the internet and simply fill it in with a different focus for each day of the month you can also draw them out on a page in your prayer journal prayer calendar templates save some time with these free printable prayer calendar templates

*monthly prayers printables mercy is new* - Dec 26 2022

web free monthly printables for praying scripture january psalm a day february lent march april may waiting only upon god 30 days of power june july august

*free prayer calendar and printable prayer journal pdf pack* - Aug 02 2023

web jul 10 2021 and you can use this monthly prayer calendar month after month the prayer suggestions are broad enough that you will think of different people to pray for every month if you like christian printables make sure to check out our free printable bookmarks and 30 days of kindness chart

**monthly prayer calendar compassion international** - Jun 19 2022

web please take a few minutes each day to pray for a child living in poverty and commit the child s need to our loving father download the november prayer calendar dear prayer partner as we enter a season of thanksgiving a time to count our blessings know that we are thankful for you

**free printable prayer calendars hope for pastors wives** - Feb 25 2023

web click on the links below to download and print these free reusable prayer calendars prayer calendar for church members and pastors wives to use in praying for their pastor s includes daily prayer guides and scripture from the 31 days of praying for your pastor series prayforyourpastoreveryday pdf in dropbox

**prayer monthly template etsy** - Mar 17 2022

web check out our prayer monthly template selection for the very best in unique or custom handmade pieces from our calendars planners shops

january 2023 prayer calendar compassion international - Aug 22 2022

web download our monthly prayer calendar to help you pray consistently for children and families in poverty keywords prayer calendar monthly prayer calendar prayer

*monthly prayer calendar compassion international prayer* - Apr 17 2022

web receive a prayer docket coming compassion international each month the monthly saying calendar will help you pray consistently for the minimal of these

**monthly prayer calendar printable prayer print prayer etsy** - Sep 22 2022

web jun 22 2023 1 51 monthly prayer calendar printable prayer print prayer prompt christian art christian gifts template houseofhostingheaven add to cart absolutely love this planner great guide for your spiritual journey sashoy purchased item hosting heaven spiritual life planner spirituality journal

**dormer eaves detail cad tpc redmatters com** - May 17 2022

web 2 dormer eaves detail cad 2022 11 02 craftsmen undertaking vocational training and anyone with a specialized and practical interest in this field published with dgs building construction drawing maggie bishop willis s elements of quantity surveying has become a standard text in the teaching of building measurement a core part of the

**dormer eaves detail cad virtualevents straumann com** - Feb 11 2022

web sep 4 2023 dormer eaves detail cad log cabins lv 4000 designs log cabins from 28mm to 380mm unique cottage with loads of character 23477jd brady eaves named as man who bit head off live hamster in steelselect design

**dormer eaves detail cad graph safehousetech com** - Apr 15 2022

web 4 dormer eaves detail cad 2023 04 15 about a man who is ordered to spend the rest of his life inside a luxury hotel in 1922 count alexander rostov is deemed an unrepentant aristocrat by a bolshevik tribunal and is sentenced to house arrest in the metropol a grand hotel across the street from the kremlin rostov an indomitable man of

**lc23 standing seam zinc dormer eaves detail detail library** - Sep 20 2022

web standing seam zinc dormer eaves detail download in 2d cad and revit and 3d sketchup from the detail library today

**dormer eaves detail cad pdf pdf live habitat** - Mar 15 2022

web dormer eaves detail cad pdf upload mia s williamson 3 9 downloaded from live habitat com on october 20 2023 by mia s williamson there is also descriptive text detailed captions and in depth information for each project building design and construction handbook frederick s merritt 1982 provides updated comprehensive and

*cad drawings dreadnought tiles* - Jun 29 2023

web cad drawings roofing details a selection of cad files are available for download here select and download the ones you require

*cad details marley* - Sep 01 2023

web cad cad computer aided design is a descriptive term for the use of computer software to support the creation modification and analysis of a design by utilising software programmes it can enhance productivity and efficiency of designers as well as improving the quality of designs

**dormers envisioneer** - Jan 25 2023

web aug 6 2020 select insert roofs dormer roofs or select the dormer roof the dormers dialog box will appear select the same settings used for the last two dormers but this time check the gable front option so we can see a dormer as a gable end as well once all selections have been made click ok

*dormer wikipedia* - Dec 24 2022

web dormer window of the building of préfecture de police de paris île de la cité gable dormers at hospices de beaune in beaune france pair of hip roof dormer windows on the howard memorial hall leitchworth a dormer is a roofed structure often containing a window that projects vertically beyond the plane of a pitched roof a dormer window

*dormer eaves detail cad tug do nlnetlabs nl* - Jun 17 2022

web dormer eaves detail cad log cabins lv 4000 designs log cabins from 28mm to 380mm brady eaves named as man who bit head off live hamster in instant roof nui vali architects instant scripts framing a prow roof s thisiscarpentry steelselect design tools for colorbond and zincalume steel

**loft conversion dormers detail pack detail library** - Oct 22 2022

web loft conversion dormers detail pack 19 90 36 30 vat detail packs contain a selection of useful details on a similar theme they are put together for easy downloading there are two types of pack cad only pack available to purchase to non members or to download free for any lite members

*download our standard details sika* - Apr 27 2023

web if you require a standard detail for a specific product please contact our technical services team on 01707 358500 alternatively please complete the below form to request specific standard details we want to ensure that you receive the

relevant standard details

*dormer eaves detail cad protese odontocompany com* - Nov 22 2022

web 2 dormer eaves detail cad 2023 03 23 the key elements of an earthbag building special design considerations

foundations walls and floors electrical plumbing and shelving lintels windows and door installations roofs arches and domes exterior and interior plasters with dedicated sections on costs making your own

**lc13 dormer window pitched roof eaves detail detail library** - Jul 31 2023

web lc13 dormer window pitched roof eaves detail 3 00 5 50 vat this set consists of 3 options dormer window pitched roof eaves detail with gutter dormer window pitched roof eaves detail with flashing detail dormer window pitched roof eaves detail with mansard tile

*to create a dormer in a roof slab autocad architecture 2018* - May 29 2023

web the walls you create for the dormer must include a back segment so that a complete hole for the dormer can be cut in the roof slab create the walls for the dormer including a closing rear wall select the walls and press enter miter the roof slab edges as required

**downloads ssq** - Feb 23 2023

web ssq ultra del carmen slates come with a 75 year guarantee and that was important not only that the on site services promised and delivered by ssq enabled a smooth and easy workflow we put forward riverstone as a cost effective yet high quality alternative to welsh slate and it was accepted on that basis

dormer eaves detail cad - Jul 19 2022

web evaluation dormer eaves detail cad what you in the same way as to read dormer eaves detail cad downloaded from api publico pinheiro ma gov br by guest jonah bond understanding passivhaus routledge 2 2 dormer eaves detail cad 2022 03 21 first published in 1994 routledge is an

dormer section roof detail cad files dwg files plans and details - Oct 02 2023

web this is a wood structure dormer section roof detail with ul 90 rated standing seam metal roof mechanically fastened on 4 plywood sheathing on prefab wood trusses at 24 o c add to wish list 2 00 purchase gallery images

*dormer eaves detail cad portal nivbook co il* - Mar 27 2023

web features over 40 construction details in 2d and 3d topics covered include examining the existing building requirements for the new structure planning and regulations construction details for general loft details front dormer windows rear dormer extensions zinc standing seam details faceted zinc dormer details and rooflight details the

*detail library new details for december first in architecture* - Aug 20 2022

web these details focus on loft conversion dormers and feature some of the details in our new loft conversion book they are

all available as 2d cad drawings and 3d sketchup drawings all details are now available in revit format too this forms part of the pro plan

*komm und küss mich roman die wynette texas romane 2* - Nov 28 2022

web achetez et téléchargez ebook komm und küss mich roman die wynette texas romane 2 german edition boutique kindle littérature sentimentale amazon fr

**komm und küss mich roman die wynette texas romane 2** - Sep 07 2023

web komm und küss mich roman die wynette texas romane 2 ebook phillips susan elizabeth montez carmen amazon de kindle shop

**komm und küss mich roman die wynette texas romane** - Jun 04 2023

web komm und küss mich roman die wynette texas romane band 3 von susan elizabeth phillips 18 november 2013

taschenbuch isbn kostenloser versand für

**komm und küss mich roman die wynette texas romane copy** - May 23 2022

web der brandneue roman der wunderbaren susan elizabeth phillips nach einem schweren schicksalsschlag lässt die 35 jährige tess alles hinter sich und flieht hals über kopf in

**komm und küss mich roman die wynette texas romane** - Jun 23 2022

web jul 2 2020 komm und küss mich roman die wynette texas romane band 2 dieses buch war für seine tage ziemlich weit fortgeschritten ich habe dieses buch

*komm und küss mich roman die wynette texas romane 2* - Dec 30 2022

web komm und küss mich roman die wynette texas romane 2 german edition ebook phillips susan elizabeth montez carmen amazon co uk kindle store

**komm und küss mich roman von susan elizabeth phillips bei** - Jul 05 2023

web nov 18 2013 sie trinkt mit vorliebe champagner und die männer liegen ihr zu füßen als sie bedingt durch äußerst ungünstige umstände mitten in texas einem sehr

*komm und küss mich roman overdrive* - Aug 06 2023

web jan 31 2013 sie passen so gut zusammen wie kaviar und bier wie benzin und ein brennendes streichholz und trotzdem verlieben sie sich hals über kopf ineinander die

**amazon de kundenrezensionen komm und küss mich roman** - Mar 01 2023

web finde hilfreiche kundenrezensionen und rezensionsbewertungen für komm und küss mich roman die wynette texas romane band 2 auf amazon de lese ehrliche

[komm und küss mich roman bei exsila.ch](#) - Mar 21 2022

web komm und küss mich roman komm und küss mich kostenlos registrieren jetzt registrieren jetzt registrieren und einen gratis artikel bestellen nein danke login

**komm und küss mich roman die wynette texas romane 2** - Aug 26 2022

web komm und küss mich roman die wynette texas romane 2 german edition ebook phillips susan elizabeth montez carmen amazon it kindle store

**komm und küss mich roman die wynette texas romane** - Oct 08 2023

web 8 99 preisangaben inkl ust abhängig von der lieferadresse kann die ust an der kasse variieren weitere informationen kostenfreie retouren gratis lieferung samstag

*komm und küss mich roman die wynette texas romane band* - Jul 25 2022

web jun 26 2023 komm und küss mich roman die wynette texas romane band komm und küss mich roman susan elizabeth phillips heyne bücher allgemeine reihe 58043 küss

**komm und küss mich roman die wynette texas romane 2** - May 03 2023

web jan 31 2013 komm und küss mich roman die wynette texas romane 2 german edition kindle edition by phillips susan elizabeth montez carmen download it once

**komm und küss mich roman die wynette texas romane** - Apr 02 2023

web komm und küss mich roman die wynette texas romane band 3 18 november 2013 isbn kostenloser versand für alle bücher mit versand und verkauf duch

*komm und kuss mich roman die wynette texas romane* - Jan 31 2023

web komm und kuss mich roman die wynette texas romane roman 2040 mar 05 2022 mein name ist roman ich lebe in der sogenannten postapokalypse eine

**komm und küss mich roman die wynette texas romane band** - Apr 21 2022

web jun 20 2023 komm und küss mich roman die wynette texas romane band 2 by susan elizabeth phillips carmen montez is available in our pdf collection an online

*amazon com customer reviews komm und küss mich roman* - Sep 26 2022

web find helpful customer reviews and review ratings for komm und küss mich roman die wynette texas romane 2 german edition at amazon com read honest and

**die wynette texas romane books on google play** - Oct 28 2022

web enjoy millions of the latest android apps games music movies tv books magazines more anytime anywhere across your devices