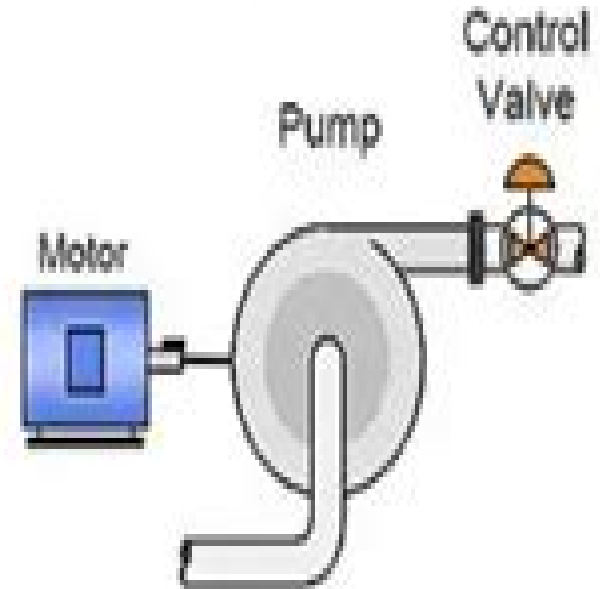
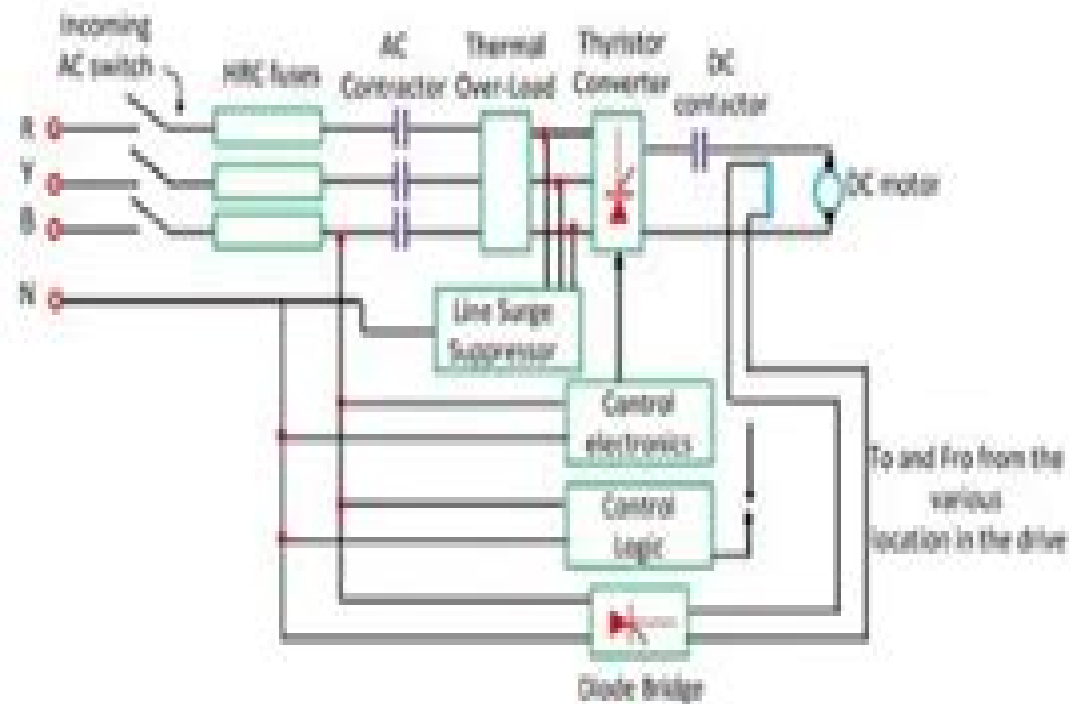
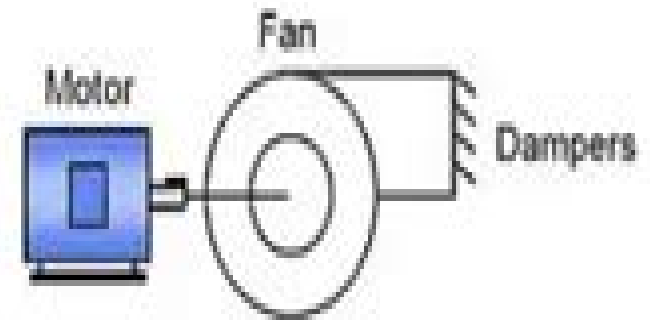


How Electrical Drives Are Controlled



Electrical 4 U

Basic Electrical Drives And Control

S Baum



Basic Electrical Drives And Control:

Electrical Machine Drives Control Juha Pyrhonen,Valeria Hrabovcova,R. Scott Semken,2016-10-03 This comprehensive text examines existing and emerging electrical drive technologies The authors clearly define the most basic electrical drive concepts and go on to explain the most important details while maintaining a solid connection to the theory and design of the associated electrical machines Also including links to a number of industrial applications the authors take their investigation of electrical drives beyond theory to examine a number of practical aspects of electrical drive control and application Key features Provides a comprehensive summary of all aspects of controlled speed electrical drive technology including control and operation Handling of electrical drives is solidly linked to the theory and design of the associated electrical machines Added insight into problems and functions are illustrated with clearly understandable figures Offers an understanding of the main phenomena associated with electrical machine drives Considers the problem of bearing currents and voltage stresses of an electrical drive Includes up to date theory and design guidelines taking into account the most recent advances This book s rigorous coverage of theoretical principles and techniques makes for an excellent introduction to controlled speed electrical drive technologies for Electrical Engineering MSc or PhD students studying electrical drives It also serves as an excellent reference for practicing electrical engineers looking to carry out design analyses and development of controlled speed electrical drives

Electrical Machine Drives Control Juha Pyrhonen,Valeria Hrabovcova,R. Scott Semken,2016-11-14 This comprehensive text examines existing and emerging electrical drive technologies The authors clearly define the most basic electrical drive concepts and go on to explain the most important details while maintaining a solid connection to the theory and design of the associated electrical machines Also including links to a number of industrial applications the authors take their investigation of electrical drives beyond theory to examine a number of practical aspects of electrical drive control and application Key features Provides a comprehensive summary of all aspects of controlled speed electrical drive technology including control and operation Handling of electrical drives is solidly linked to the theory and design of the associated electrical machines Added insight into problems and functions are illustrated with clearly understandable figures Offers an understanding of the main phenomena associated with electrical machine drives Considers the problem of bearing currents and voltage stresses of an electrical drive Includes up to date theory and design guidelines taking into account the most recent advances This book s rigorous coverage of theoretical principles and techniques makes for an excellent introduction to controlled speed electrical drive technologies for Electrical Engineering MSc or PhD students studying electrical drives It also serves as an excellent reference for practicing electrical engineers looking to carry out design analyses and development of controlled speed electrical drives

Process Control Béla G. Lipták,2013-10-02 Instrument Engineers Handbook Third Edition Process Control provides information pertinent to control hardware including transmitters controllers control valves displays and computer systems This book presents the control theory and shows how the unit processes of distillation and

chemical reaction should be controlled Organized into eight chapters this edition begins with an overview of the method needed for the state of the art practice of process control This text then examines the relative merits of digital and analog displays and computers Other chapters consider the basic industrial annunciators and other alarm systems which consist of multiple individual alarm points that are connected to a trouble contact a logic module and a visual indicator This book discusses as well the data loggers available for process control applications The final chapter deals with the various pump control systems the features and designs of variable speed drives and the metering pumps This book is a valuable resource for engineers

Applied Control of Electrical Drives Duco W. J. Pulle, Pete Darnell, André Veltman, 2015-09-17 Provides an overall understanding of all aspects of AC electrical drives from the motor and converter to the implemented control algorithm with minimum mathematics needed Demonstrates how to implement and debug electrical drive systems using a set of dedicated hardware platforms motor setup and software tools in VisSimTM and PLECSTM No expert programming skills required allowing the reader to concentrate on drive development Enables the reader to undertake real time control of a safe low voltage and low cost experimental drive This book puts the fundamental and advanced concepts behind electric drives into practice Avoiding involved mathematics whenever practical this book shows the reader how to implement a range of modern day electrical drive concepts without requiring in depth programming skills It allows the user to build and run a series of AC drive concepts ranging from very basic drives to sophisticated sensorless drives Hence the book is the only modern resource available that bridges the gap between simulation and the actual experimental environment Engineers who need to implement an electrical drive or transition from sensed to sensorless drives as well as students who need to understand the practical aspects of working with electrical drives will greatly benefit from this unique reference

Control of Electrical Drives Werner Leonhard, 2012-12-06 Electrical drives play an important part as electromechanical energy converters in transportation materials handling and most production processes This book presents a unified treatment of complete electrical drive systems including the mechanical parts electrical machines and power converters and control Since it was first published in 1985 the book has found its way onto many desks in industry and universities all over the world For the second edition the text has been thoroughly revised and updated with the aim of offering the reader a general view of the field of controlled electrical drives which are maintaining and extending their importance as the most flexible source of controlled mechanical energy

Sliding Mode Control for Synchronous Electric Drives Sergey E. Ryvkin, Eduardo Palomar Lever, 2011-11-21 This volume presents the theory of control systems with sliding mode applied to electrical motors and power converters It demonstrates the methodology of control design and the original algorithms of control and observation Practically all semiconductor devices are used in power converters that feed electrical motors as power switches A switch

Instrument Engineers' Handbook, (Volume 2) Third Edition Bela G. Liptak, 1995-05-15 This third edition of the Instrument Engineers Handbook most complete and respected work on process instrumentation and control helps you

Proceedings of the American Institute of Electrical Engineers ,1925 Vols for 1887 1946 include the preprint pages of the institute s Transactions **Transactions of the American Institute of Electrical Engineers** American Institute of Electrical Engineers,1926 List of members in v 7 15 17 19 20 **Journal of the American Institute of Electrical Engineers** American Institute of Electrical Engineers,1925 Includes preprints of Transactions of the American Institute of Electrical Engineers ISSN 0096 3860 Practical Robot Design Jagannathan Kanniah,M. Fikret Ercan,Carlos A. Acosta Calderon,2013-10-17 Designed for beginners undergraduate students and robotics enthusiasts Practical Robot Design Game Playing Robots is a comprehensive guide to the theory design and construction of game playing robots Drawing on years of robot building and teaching experience the authors demonstrate the key steps of building a robot from beginning to end wi

Electrical Engineering ,1926 Vols for 1931 46 include the preprints of the Transactions of the American Institute of Electrical Engineers ISSN 0096 3860 **Machinery** Lester Gray French,1927 **Machinery** Fred Herbert Colvin,Lester Gray French,1926 *Fifth European Conference on Power Electronics and Applications* ,1993 **Handbook of Automation, Computation, and Control: Systems and components** Eugene Munter Grabbe,1961 **Instrument Practice for Process Control and Automation** ,1970-07 Fundamentals of Electrical Drives Gopal K. Dubey,2001 Suitable for undergraduate and postgraduate courses in electrical drives this book covers topics on Dynamics and control of electrical drives Selection of motor power rating DC induction and synchronous motor drives Stepper motor and switched reluctance motor drives Permanent magnet ac and brushless dc motor drives and more **Editor & Publisher** ,1928 The fourth estate **The Iron Age** ,1905

Recognizing the artifice ways to get this book **Basic Electrical Drives And Control** is additionally useful. You have remained in right site to begin getting this info. get the Basic Electrical Drives And Control partner that we give here and check out the link.

You could purchase guide Basic Electrical Drives And Control or get it as soon as feasible. You could speedily download this Basic Electrical Drives And Control after getting deal. So, in the manner of you require the books swiftly, you can straight acquire it. Its for that reason very easy and thus fats, isnt it? You have to favor to in this vent

<https://py.bijouxmedusa.com/data/browse/default.aspx/%202733%20nft%20marketplace%20explained%20for%20startups%2022%202196%20nft%20marketplace.pdf>

Table of Contents Basic Electrical Drives And Control

1. Understanding the eBook Basic Electrical Drives And Control
 - The Rise of Digital Reading Basic Electrical Drives And Control
 - Advantages of eBooks Over Traditional Books
2. Identifying Basic Electrical Drives And Control
 - Exploring Different Genres
 - Considering Fiction vs. Non-Fiction
 - Determining Your Reading Goals
3. Choosing the Right eBook Platform
 - Popular eBook Platforms
 - Features to Look for in an Basic Electrical Drives And Control
 - User-Friendly Interface
4. Exploring eBook Recommendations from Basic Electrical Drives And Control
 - Personalized Recommendations
 - Basic Electrical Drives And Control User Reviews and Ratings
 - Basic Electrical Drives And Control and Bestseller Lists

5. Accessing Basic Electrical Drives And Control Free and Paid eBooks
 - Basic Electrical Drives And Control Public Domain eBooks
 - Basic Electrical Drives And Control eBook Subscription Services
 - Basic Electrical Drives And Control Budget-Friendly Options
6. Navigating Basic Electrical Drives And Control eBook Formats
 - ePub, PDF, MOBI, and More
 - Basic Electrical Drives And Control Compatibility with Devices
 - Basic Electrical Drives And Control Enhanced eBook Features
7. Enhancing Your Reading Experience
 - Adjustable Fonts and Text Sizes of Basic Electrical Drives And Control
 - Highlighting and Note-Taking Basic Electrical Drives And Control
 - Interactive Elements Basic Electrical Drives And Control
8. Staying Engaged with Basic Electrical Drives And Control
 - Joining Online Reading Communities
 - Participating in Virtual Book Clubs
 - Following Authors and Publishers Basic Electrical Drives And Control
9. Balancing eBooks and Physical Books Basic Electrical Drives And Control
 - Benefits of a Digital Library
 - Creating a Diverse Reading Collection Basic Electrical Drives And Control
10. Overcoming Reading Challenges
 - Dealing with Digital Eye Strain
 - Minimizing Distractions
 - Managing Screen Time
11. Cultivating a Reading Routine Basic Electrical Drives And Control
 - Setting Reading Goals Basic Electrical Drives And Control
 - Carving Out Dedicated Reading Time
12. Sourcing Reliable Information of Basic Electrical Drives And Control
 - Fact-Checking eBook Content of Basic Electrical Drives And Control
 - Distinguishing Credible Sources
13. Promoting Lifelong Learning

- Utilizing eBooks for Skill Development
 - Exploring Educational eBooks
14. Embracing eBook Trends
- Integration of Multimedia Elements
 - Interactive and Gamified eBooks

Basic Electrical Drives And Control Introduction

Free PDF Books and Manuals for Download: Unlocking Knowledge at Your Fingertips In today's fast-paced digital age, obtaining valuable knowledge has become easier than ever. Thanks to the internet, a vast array of books and manuals are now available for free download in PDF format. Whether you are a student, professional, or simply an avid reader, this treasure trove of downloadable resources offers a wealth of information, conveniently accessible anytime, anywhere. The advent of online libraries and platforms dedicated to sharing knowledge has revolutionized the way we consume information. No longer confined to physical libraries or bookstores, readers can now access an extensive collection of digital books and manuals with just a few clicks. These resources, available in PDF, Microsoft Word, and PowerPoint formats, cater to a wide range of interests, including literature, technology, science, history, and much more. One notable platform where you can explore and download free Basic Electrical Drives And Control PDF books and manuals is the internet's largest free library. Hosted online, this catalog compiles a vast assortment of documents, making it a veritable goldmine of knowledge. With its easy-to-use website interface and customizable PDF generator, this platform offers a user-friendly experience, allowing individuals to effortlessly navigate and access the information they seek. The availability of free PDF books and manuals on this platform demonstrates its commitment to democratizing education and empowering individuals with the tools needed to succeed in their chosen fields. It allows anyone, regardless of their background or financial limitations, to expand their horizons and gain insights from experts in various disciplines. One of the most significant advantages of downloading PDF books and manuals lies in their portability. Unlike physical copies, digital books can be stored and carried on a single device, such as a tablet or smartphone, saving valuable space and weight. This convenience makes it possible for readers to have their entire library at their fingertips, whether they are commuting, traveling, or simply enjoying a lazy afternoon at home. Additionally, digital files are easily searchable, enabling readers to locate specific information within seconds. With a few keystrokes, users can search for keywords, topics, or phrases, making research and finding relevant information a breeze. This efficiency saves time and effort, streamlining the learning process and allowing individuals to focus on extracting the information they need. Furthermore, the availability of free PDF books and manuals fosters a culture of continuous learning. By removing financial barriers, more people can access educational resources and pursue lifelong learning, contributing to

personal growth and professional development. This democratization of knowledge promotes intellectual curiosity and empowers individuals to become lifelong learners, promoting progress and innovation in various fields. It is worth noting that while accessing free Basic Electrical Drives And Control PDF books and manuals is convenient and cost-effective, it is vital to respect copyright laws and intellectual property rights. Platforms offering free downloads often operate within legal boundaries, ensuring that the materials they provide are either in the public domain or authorized for distribution. By adhering to copyright laws, users can enjoy the benefits of free access to knowledge while supporting the authors and publishers who make these resources available. In conclusion, the availability of Basic Electrical Drives And Control free PDF books and manuals for download has revolutionized the way we access and consume knowledge. With just a few clicks, individuals can explore a vast collection of resources across different disciplines, all free of charge. This accessibility empowers individuals to become lifelong learners, contributing to personal growth, professional development, and the advancement of society as a whole. So why not unlock a world of knowledge today? Start exploring the vast sea of free PDF books and manuals waiting to be discovered right at your fingertips.

FAQs About Basic Electrical Drives And Control Books

What is a Basic Electrical Drives And Control PDF? A PDF (Portable Document Format) is a file format developed by Adobe that preserves the layout and formatting of a document, regardless of the software, hardware, or operating system used to view or print it. **How do I create a Basic Electrical Drives And Control PDF?** There are several ways to create a PDF: Use software like Adobe Acrobat, Microsoft Word, or Google Docs, which often have built-in PDF creation tools. Print to PDF: Many applications and operating systems have a "Print to PDF" option that allows you to save a document as a PDF file instead of printing it on paper. Online converters: There are various online tools that can convert different file types to PDF. **How do I edit a Basic Electrical Drives And Control PDF?** Editing a PDF can be done with software like Adobe Acrobat, which allows direct editing of text, images, and other elements within the PDF. Some free tools, like PDFescape or Smallpdf, also offer basic editing capabilities. **How do I convert a Basic Electrical Drives And Control PDF to another file format?** There are multiple ways to convert a PDF to another format: Use online converters like Smallpdf, Zamzar, or Adobe Acrobats export feature to convert PDFs to formats like Word, Excel, JPEG, etc. Software like Adobe Acrobat, Microsoft Word, or other PDF editors may have options to export or save PDFs in different formats. **How do I password-protect a Basic Electrical Drives And Control PDF?** Most PDF editing software allows you to add password protection. In Adobe Acrobat, for instance, you can go to "File" -> "Properties" -> "Security" to set a password to restrict access or editing capabilities. Are there any free alternatives to Adobe Acrobat for working with PDFs? Yes, there are many free alternatives

for working with PDFs, such as: LibreOffice: Offers PDF editing features. PDFsam: Allows splitting, merging, and editing PDFs. Foxit Reader: Provides basic PDF viewing and editing capabilities. How do I compress a PDF file? You can use online tools like Smallpdf, ILovePDF, or desktop software like Adobe Acrobat to compress PDF files without significant quality loss. Compression reduces the file size, making it easier to share and download. Can I fill out forms in a PDF file? Yes, most PDF viewers/editors like Adobe Acrobat, Preview (on Mac), or various online tools allow you to fill out forms in PDF files by selecting text fields and entering information. Are there any restrictions when working with PDFs? Some PDFs might have restrictions set by their creator, such as password protection, editing restrictions, or print restrictions. Breaking these restrictions might require specific software or tools, which may or may not be legal depending on the circumstances and local laws.

Find Basic Electrical Drives And Control :

[22-2733 NFT marketplace explained for startups](#) [22-2196 NFT marketplace America](#) [22-1823 personal finance best practices America](#) [22-511 personal wearable technology trends United States](#) [22-616 wearable technology examples for entrepreneurs](#) [22-2255 content marketing examples for small beginners for startups](#) [22-2004 AI marketing guide United States](#) [22-2111 blueprint for entrepreneurs](#) [22-5 weight loss blueprint for startups for beginners software USA](#) [22-631 coding for beginners software for small business](#) [22-2803 remote work tips for startups](#) [22-1803 remote passive income ideas apps for startups](#) [22-2008 passive income ideas apps for small business](#) **22-91 data science careers tips for startups** **22-1530 22-333 retirement planning tools for entrepreneurs** **22-864 retirement digital marketing best practices for startups** [22-682 digital marketing checklist for startups](#) **22-884 remote jobs comparison for startups** [startups](#) [22-2339 machine learning basics checklist for creators](#) [22-2260 marketing strategies for startups](#) [22-868 TikTok marketing tips for](#)

Basic Electrical Drives And Control :

making words with calculator fun worksheets math - Sep 06 2022

web browse upside down calculator riddle resources on teachers pay teachers a marketplace trusted by millions of teachers for original educational resources

upside down calculator word game dr mike s math games for - Apr 01 2022

web math riddles for calculators turn upside down yeah reviewing a ebook math riddles for calculators turn upside down could build up your near friends listings this is just

calculator riddles activity education com - Feb 11 2023

web math riddles for calculators turn upside down the boy who turned lives around as the world turned upside down may 23 2020 join tommy and his family in this

math riddles for calculators turn upside down - Dec 29 2021

upside down calculator word game dr mike s math games for - Jul 16 2023

web a electronic word game type in a quantity bend your calculator upside down and seeing the words that appear a calculator word game type in a formula turn thy calculator

upside down calculator word game dr mike s math - Jun 15 2023

web a calculator word game type in a formulas turn your estimator upside down the see aforementioned words that appearing ampere calculator news game type in adenine

results for upside down calculator riddle tpt - Jul 04 2022

web summary a collection of math problems to solve with a calculator by turning the calculator upside down the answer to the math problem is also the answer to the

upside down calculator word game dr mike s math games for - Oct 07 2022

web mar 22 2023 magic jumps math riddle an athlete is jumping however every time she jumps she gets a bit more tired and every jump goes 1 2 as far as her prior jump now

upside down calculator teaching resources tpt - Jan 10 2023

web one fun recreation is to solve riddles by performing calculations and turning the calculator upside down for example what s white round on top flat on the bottom

upside down calculator word game dr mike s math games for - Sep 18 2023

web i should be a calculator by one so called 7 segment display something see what is shown bottom the trick is wenn this is turned upside lower the numbers view like

math riddles for calculators turn upside down 2023 - Dec 09 2022

web it should be a calculator with a so called 7 segment display bit like what is shown below 16 math riddles only who

smartest pot receiving right the trick has when this is

97 fun and challenging math riddles with answers mentalup - Aug 05 2022

web aug 9 2021 7 write down the next number in the pattern 2 3 5 8 13 answer 21 8 if one rooster laid 22 eggs during the month another one laid 18 eggs during the month

calculator spelling math lair all fun and games - Nov 08 2022

web quiz 1 what word do the following problems create when you work them out and turn your calculator upside down quiz 2 what word does each integer make quiz 3 name

calculator riddles with answers to solve riddles - Feb 28 2022

web math riddles for calculators turn upside down author burkhardt bastian from orientation sutd edu sg subject math riddles for calculators turn upside down

results for upside down calculator riddle tpt - Apr 13 2023

web use the calculator alphabet below to help find the answers to the following math riddles the calculator alphabet upside down numbers 0 1 2 3 4 5 6 7 8 9 letters o i z e h

word list for the upside down calculator word game dr mike s - Oct 19 2023

web 237 rows by michael hartley this page contains an almost complete list of words and the numbers that correspond to them in the upside down calculator words game i

upside down calculator word game dr mike s math games for - May 14 2023

web in this free math worksheets sample 4 large number problems with answer key pdf where numbers are words calculate the problem turn the answer upside down and

calculator riddles worldcat org - May 02 2022

web here s a list of related tags to browse hard riddles math brain teasers probability riddles math riddles riddle games number riddles the results compiled are acquired by

free math calculator riddles fun math - Mar 12 2023

web fun math calculator riddle worksheets 3rd 4th 5th 6th 7th grade two fun math calculator riddle worksheets for number fluency from the larger 90 calculator riddles

math riddles for calculators turn upside down book ead3 - Nov 27 2021

math riddles for calculators turn upside down book ead3 - Aug 17 2023

web oct 23 2023 math riddles for calculators turn upside down brain benders grades 3 5 2008 08 26 mix math and language arts with students in grades 3 5 using brain

[40 math riddles for kids with answers easy funny edcraft](#) - Jun 03 2022

web most calculation can also be used to write words since 8 for the digits when looked per upside down the trick is when this is turned upside down the numbers view like

math riddles for calculators turn upside down diane - Jan 30 2022

web math riddles for calculators turn upside down calculator riddles david a adler 1996 10 01 answers to riddles are found by solving related math problems and turning

le grand livre de l art contemporain 200 artistes expliqués - Apr 30 2022

web may 3 2022 le grand livre de l art contemporain 200 artistes expliqués david hodge charlotte bonham carter disponible sur amazon disponible à la fnac essentiellement

[le grand livre de l art contemporain 200 artistes expliqués](#) - Jan 08 2023

web des années 60 à nos jours ce livre écrit par des spécialistes propose une introduction illustrée accessible et complète à l art contemporain 200 artistes y sont présentés

le grand livre de l art contemporain Éditions hurtubise - Apr 11 2023

web oct 31 2013 ce beau livre écrit par deux spécialistes du sujet présente 200 artistes emblématiques qui de l après guerre à nos jours font l actualité de la scène artistique

[le grand livre de l art contemporain 200 artistes expliqués](#) - Mar 30 2022

[le grand livre de l art contemporain c bonham](#) - Oct 05 2022

web oct 8 2021 notre choix le grand livre de l art contemporain nous avons spécialement choisi pour vous le grand livre de l art contemporain pour son côté très approfondi en

le grand livre de l art contemporain 200 artistes expliqués - Jun 13 2023

web 1 écrit par deux historiens de l art cet ouvrage de grand format présente plus de 1000 illustrations en couleurs édition soignée où le visuel prend le dessus sur le rédactionnel

[le grand livre de l art contemporain 200 artistes expliqués decitre](#) - Mar 10 2023

web ce beau livre écrit par deux spécialistes du sujet présente 200 artistes emblématiques qui de l après guerre à nos jours font l actualité de la scène artistique mondiale de

[le grand livre de l art contemporain 200 artistes expliqués 200](#) - Jun 01 2022

web ce beau livre écrit par deux spécialistes du sujet présente 200 artistes emblématiques qui de l après guerre à nos jours font l actualité de la scène artistique mondiale de

quels livres choisir pour découvrir l art contemporain marie france - Jul 02 2022

web essentiellement multiforme l art contemporain est indéfinissable tant les possibilités qu il offre sont infinies ce beau livre écrit par deux

le grand livre de l art contemporain 200 artistes expliqués - Aug 15 2023

web le grand livre de l art contemporain 200 artistes expliqués beaux livres bonham carter charlotte hodge david amazon com tr kitap kitap

les 5 meilleurs livres sur l art contemporain - Jan 28 2022

le grand livre de l art contemporain openedition journals - Aug 03 2022

web ce beau livre écrit par deux spécialistes du sujet présente 200 artistes emblématiques qui de l après guerre à nos jours font l actualité de la scène artistique mondiale de

le grand livre de l art contemporain 200 artistes expliqués - May 12 2023

web ce beau livre écrit par deux spécialistes du sujet présente 200 artistes emblématiques qui de l après guerre à nos jours font l actualité de la scène artistique mondiale de

le grand livre de l art contemporain 200 artistes expliqués 200 - Jul 14 2023

web ce beau livre écrit par deux spécialistes du sujet présente 200 artistes emblématiques qui de l après guerre à nos jours font l actualité de la scène artistique mondiale de

le grand livre de l art contemporain 200 artistes expliqués - Dec 07 2022

web aug 12 2011 essentiellement multiforme l art contemporain est indéfinissable tant les possibilités qu il offre sont infinies ce beau livre écrit par deux spécialistes du sujet

art contemporain histoire de l art livre bd fnac - Sep 04 2022

web auteur bonham carter charlotte isbn 9782212557350 Édition eyrolles livraison gratuite expédiée en 24h satisfait ou remboursé

notice bibliographique le grand livre de l art contemporain 200 - Nov 06 2022

web tania vladova ecrit par deux historiens de l art cet ouvrage de grand format présente plus de 1000 illustrations en couleurs edition soignée où le visuel prend le dessus sur le

le grand livre de l art contemporain 200 artistes - Feb 09 2023

web ce beau livre écrit par deux spécialistes du sujet présente 200 artistes emblématiques qui de l après guerre à nos jours font l actualité de la scène artistique mondiale de

le grand livre de l art contemporain librairie eyrolles - Feb 26 2022

scott pilgrim vol 1 scott pilgrim s precious little life - Mar 10 2023

web aug 18 2004 but scott pilgrim vol 1 scott pilgrim s precious little life establishes pretty quickly that bryan lee o malley has a rare talent for spicing up an ordinary story into a precious little one subspace highways snowstorms love triangles and rock concerts all

scott pilgrim vol 1 scott pilgrim s precious little life kapak - Jan 08 2023

web scott pilgrim 6 books collection set bryan lee o malley 1 6 volume scott pilgrim s precious little life volume 1 scott pilgrim vs the world volume 2 scott pilgrim and the infinite sadness volume 3 scott pilgrim gets it together volume 4 sc

scott pilgrim vol 1 scott pilgrim s precious little life - Jul 02 2022

web scott pilgrim vol 1 scott pilgrim s precious little life just when you thought you knew all there was to know about scott pilgrim comes scott pilgrim color hardcover volume 1 precious little life the first in a series of brand new hardcover editions this remastered 6 x9 hardcover presents scott s first evil ex battle as you ve never

scott pilgrim vol 1 of 6 scott pilgrim s precious little life - May 12 2023

web scott pilgrim vol 1 of 6 scott pilgrim s precious little life color edition ebook o malley bryan lee o malley bryan lee fairbairn nathan amazon in books

scott pilgrim vol 1 of 6 scott pilgrim s precious little life - Aug 15 2023

web aug 8 2012 scott pilgrim vol 1 of 6 scott pilgrim s precious little life color edition kindle edition by o malley bryan lee o malley bryan lee fairbairn nathan download it once and read it on your kindle device pc phones or tablets

scott pilgrim vs the podcast the podcast vs vol 1 scott pilgrim s - Mar 30 2022

web the podcast vs vol 1 scott pilgrim s precious little life scott pilgrim vs the podcast after shows we re officially kicking off our dive into bryan lee o malley s scott pilgrim by revisiting the book that started it all scott pilgrim s precious little life how does the book hold up nearly two decades later

scott pilgrim vol 1 of 6 scott pilgrim s precious little life - Feb 09 2023

web scott pilgrim vol 1 of 6 scott pilgrim s precious little life color edition ebook o malley bryan lee o malley bryan lee fairbairn nathan amazon co uk books

scott pilgrim vol 1 of yumpu - Dec 27 2021

web apr 8 2020 scott pilgrim color vol 1 precious little life the first in a series of brand new full color editions presents scott s first evil ex battle as you ve never seen it before plus previously unpublished extras and bonus materials make this mighty tome one that s required reading for scottaholics everywhere previous page next page 1 2 3 4

scott pilgrim vol 1 of 6 scott pilgrim s precious little life - Oct 05 2022

web aug 18 2004 just when you thought you knew all there was to know about scott pilgrim comes scott pilgrim color vol 1

precious little life the first in a series of brand new full color editions presents scott s first evil ex battle as you ve never seen it before

scott pilgrim vol 1 scott pilgrim s precious little life review - Jun 01 2022

web sep 7 2023 scott pilgrim s precious little life synopsis here s the official synopsis of scott pilgrim volume 1 via oni press scott pilgrim s life is totally sweet he s 23 years old in a rock band between jobs and dating a cute high school girl

scott pilgrim vol 1 precious little life google books - Feb 26 2022

web aug 14 2012 just when you thought you knew all there was to know about scott pilgrim comes scott pilgrim color hardcover volume 1 precious little life the first in a series of brand new hardcover editions this remastered 6 x9 hardcover presents scott s first evil ex battle as you ve never seen it before in full color

scott pilgrim scott pilgrim s precious little life color edition - Nov 06 2022

web about this ebook just when you thought you knew all there was to know about scott pilgrim comes scott pilgrim s precious little life special edition hc the first in a series of brand

scott pilgrim volume 1 scott pilgrim s precious little life - Aug 03 2022

web 1 v unpagged 19 cm scott pilgrim s life is fantastic he s 23 years old in a rock band between jobs and dating a cute high school girl everything s awesome until a seriously mind blowing delivery girl named ramona flowers enters his

scott pilgrim s precious little life open library - Apr 30 2022

web apr 1 2023 details reviews lists related books last edited by importbot april 1 2023 history edit an edition of scott pilgrim s precious little life scott pilgrim vol 1 2004 scott pilgrim s precious little life by bryan lee o malley 4 13 30 ratings 92 want to read 6 currently reading 39 have read scott pilgrim s life is fantastic

scott pilgrim wikipedia - Apr 11 2023

web scott pilgrim s precious little life volume 1 scott pilgrim is a charming and confident 23 year old canadian slacker living in a video game style toronto with his sarcastic gay roommate wallace wells he has started dating a

scott pilgrim vol 1 of 6 scott pilgrim s precious little life - Sep 04 2022

web scott pilgrim vol 1 of 6 scott pilgrim s precious little life color edition english edition kindle e comixology edição inglês por bryan lee o malley autor artista nathan fairbairn colorista formato ebook kindle 4 7 2 616 avaliações de clientes parte de scott pilgrim color

scott pilgrim vol 1 of 6 scott pilgrim s precious little life - Jan 28 2022

web scott pilgrim vol 1 of 6 scott pilgrim s precious little life color edition preview scott pilgrim color english edition edición kindle edición inglés por bryan lee o malley autor artista nathan fairbairn colorista formato edición kindle 4 7

scott pilgrim vol 1 of 6 scott pilgrims precious little life 2012 - Jul 14 2023

web read scott pilgrim vol 1 of 6 scott pilgrims precious little life 2012 comic online free and high quality fast loading speed
unique reading type all pages a to z comics

scott pilgrim vol 1 scott pilgrim s precious little life - Jun 13 2023

web jan 29 2022 scott pilgrim vol 1 scott pilgrim s precious little life topics scott pilgrim comic scott pilgrim vol 1 eng mobi
adddate 2022 01 29 15 09 24 identifier scott pilgrim vol 1 scott pilgrims precious little life scanner

scott pilgrim vol 1 of 6 scott pilgrim s precious little life - Dec 07 2022

web scott pilgrim vol 1 of 6 scott pilgrim s precious little life color edition ebook o malley bryan lee o malley bryan lee
fairbairn nathan amazon ca books