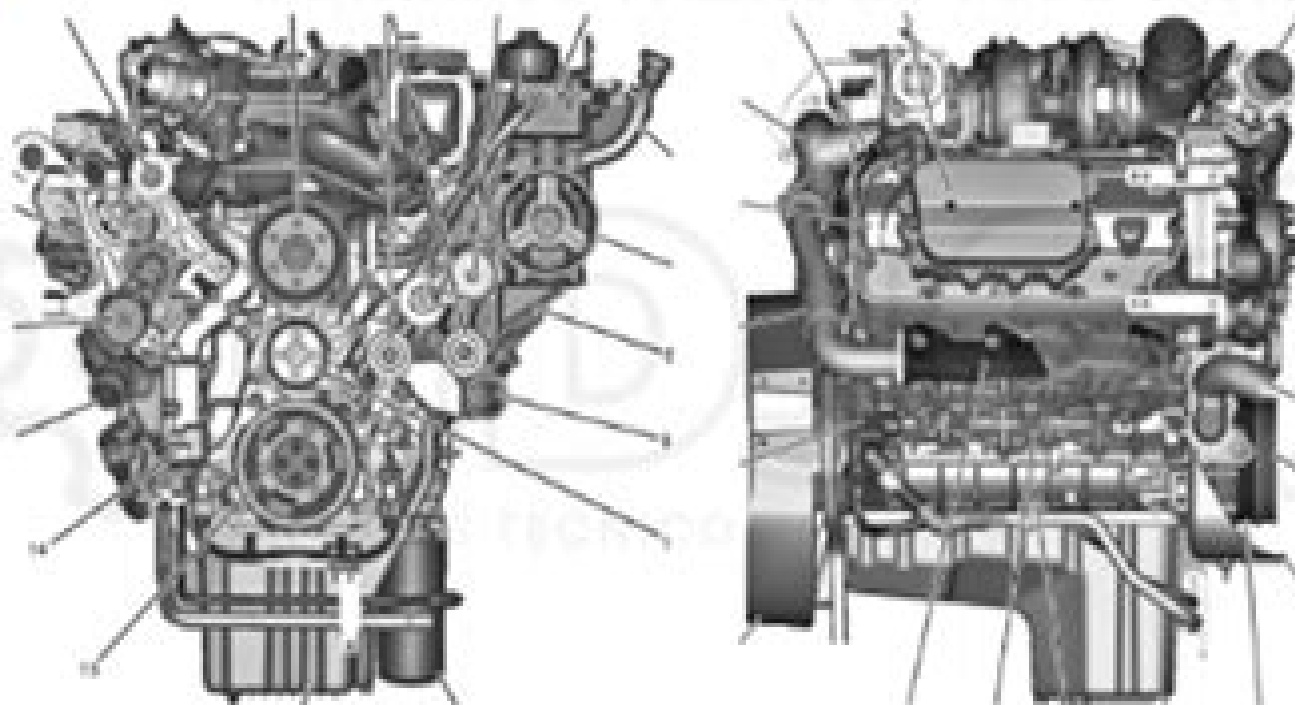


Repair and Service

INTERNATIONAL Maxxforce 7



V8 / Diesel / (6.4 L) // 2010



International Maxxforce Engine Repair Manual

Michael Hoelscher



International Maxxforce Engine Repair Manual:

This is likewise one of the factors by obtaining the soft documents of this **International Maxxforce Engine Repair Manual** by online. You might not require more epoch to spend to go to the book initiation as with ease as search for them. In some cases, you likewise reach not discover the pronouncement International Maxxforce Engine Repair Manual that you are looking for. It will utterly squander the time.

However below, taking into consideration you visit this web page, it will be so entirely simple to acquire as competently as download guide International Maxxforce Engine Repair Manual

It will not receive many time as we run by before. You can get it even if produce an effect something else at home and even in your workplace. fittingly easy! So, are you question? Just exercise just what we have the funds for under as well as evaluation **International Maxxforce Engine Repair Manual** what you once to read!

https://py.bijouxmedusa.com/results/uploaded-files/Documents/Minimalist_Lifestyle_Roadmap_United_States_17_1196_Minimalist_Lifestyle.pdf

Table of Contents International Maxxforce Engine Repair Manual

1. Understanding the eBook International Maxxforce Engine Repair Manual
 - The Rise of Digital Reading International Maxxforce Engine Repair Manual
 - Advantages of eBooks Over Traditional Books
2. Identifying International Maxxforce Engine Repair Manual
 - Exploring Different Genres
 - Considering Fiction vs. Non-Fiction
 - Determining Your Reading Goals
3. Choosing the Right eBook Platform
 - Popular eBook Platforms
 - Features to Look for in an International Maxxforce Engine Repair Manual
 - User-Friendly Interface

4. Exploring eBook Recommendations from International Maxxforce Engine Repair Manual
 - Personalized Recommendations
 - International Maxxforce Engine Repair Manual User Reviews and Ratings
 - International Maxxforce Engine Repair Manual and Bestseller Lists
5. Accessing International Maxxforce Engine Repair Manual Free and Paid eBooks
 - International Maxxforce Engine Repair Manual Public Domain eBooks
 - International Maxxforce Engine Repair Manual eBook Subscription Services
 - International Maxxforce Engine Repair Manual Budget-Friendly Options
6. Navigating International Maxxforce Engine Repair Manual eBook Formats
 - ePub, PDF, MOBI, and More
 - International Maxxforce Engine Repair Manual Compatibility with Devices
 - International Maxxforce Engine Repair Manual Enhanced eBook Features
7. Enhancing Your Reading Experience
 - Adjustable Fonts and Text Sizes of International Maxxforce Engine Repair Manual
 - Highlighting and Note-Taking International Maxxforce Engine Repair Manual
 - Interactive Elements International Maxxforce Engine Repair Manual
8. Staying Engaged with International Maxxforce Engine Repair Manual
 - Joining Online Reading Communities
 - Participating in Virtual Book Clubs
 - Following Authors and Publishers International Maxxforce Engine Repair Manual
9. Balancing eBooks and Physical Books International Maxxforce Engine Repair Manual
 - Benefits of a Digital Library
 - Creating a Diverse Reading Collection International Maxxforce Engine Repair Manual
10. Overcoming Reading Challenges
 - Dealing with Digital Eye Strain
 - Minimizing Distractions
 - Managing Screen Time
11. Cultivating a Reading Routine International Maxxforce Engine Repair Manual
 - Setting Reading Goals International Maxxforce Engine Repair Manual
 - Carving Out Dedicated Reading Time

12. Sourcing Reliable Information of International Maxxforce Engine Repair Manual
 - Fact-Checking eBook Content of International Maxxforce Engine Repair Manual
 - Distinguishing Credible Sources
13. Promoting Lifelong Learning
 - Utilizing eBooks for Skill Development
 - Exploring Educational eBooks
14. Embracing eBook Trends
 - Integration of Multimedia Elements
 - Interactive and Gamified eBooks

International Maxxforce Engine Repair Manual Introduction

In this digital age, the convenience of accessing information at our fingertips has become a necessity. Whether its research papers, eBooks, or user manuals, PDF files have become the preferred format for sharing and reading documents. However, the cost associated with purchasing PDF files can sometimes be a barrier for many individuals and organizations. Thankfully, there are numerous websites and platforms that allow users to download free PDF files legally. In this article, we will explore some of the best platforms to download free PDFs. One of the most popular platforms to download free PDF files is Project Gutenberg. This online library offers over 60,000 free eBooks that are in the public domain. From classic literature to historical documents, Project Gutenberg provides a wide range of PDF files that can be downloaded and enjoyed on various devices. The website is user-friendly and allows users to search for specific titles or browse through different categories. Another reliable platform for downloading International Maxxforce Engine Repair Manual free PDF files is Open Library. With its vast collection of over 1 million eBooks, Open Library has something for every reader. The website offers a seamless experience by providing options to borrow or download PDF files. Users simply need to create a free account to access this treasure trove of knowledge. Open Library also allows users to contribute by uploading and sharing their own PDF files, making it a collaborative platform for book enthusiasts. For those interested in academic resources, there are websites dedicated to providing free PDFs of research papers and scientific articles. One such website is Academia.edu, which allows researchers and scholars to share their work with a global audience. Users can download PDF files of research papers, theses, and dissertations covering a wide range of subjects. Academia.edu also provides a platform for discussions and networking within the academic community. When it comes to downloading International Maxxforce Engine Repair Manual free PDF files of magazines, brochures, and catalogs, Issuu is a popular choice. This digital publishing platform hosts a vast collection of publications from around the world. Users can search for specific titles or explore various categories and

genres. Issuu offers a seamless reading experience with its user-friendly interface and allows users to download PDF files for offline reading. Apart from dedicated platforms, search engines also play a crucial role in finding free PDF files. Google, for instance, has an advanced search feature that allows users to filter results by file type. By specifying the file type as "PDF," users can find websites that offer free PDF downloads on a specific topic. While downloading International Maxxforce Engine Repair Manual free PDF files is convenient, it's important to note that copyright laws must be respected. Always ensure that the PDF files you download are legally available for free. Many authors and publishers voluntarily provide free PDF versions of their work, but it's essential to be cautious and verify the authenticity of the source before downloading International Maxxforce Engine Repair Manual. In conclusion, the internet offers numerous platforms and websites that allow users to download free PDF files legally. Whether it's classic literature, research papers, or magazines, there is something for everyone. The platforms mentioned in this article, such as Project Gutenberg, Open Library, Academia.edu, and Issuu, provide access to a vast collection of PDF files. However, users should always be cautious and verify the legality of the source before downloading International Maxxforce Engine Repair Manual any PDF files. With these platforms, the world of PDF downloads is just a click away.

FAQs About International Maxxforce Engine Repair Manual Books

1. Where can I buy International Maxxforce Engine Repair Manual books? Bookstores: Physical bookstores like Barnes & Noble, Waterstones, and independent local stores. Online Retailers: Amazon, Book Depository, and various online bookstores offer a wide range of books in physical and digital formats.
2. What are the different book formats available? Hardcover: Sturdy and durable, usually more expensive. Paperback: Cheaper, lighter, and more portable than hardcovers. E-books: Digital books available for e-readers like Kindle or software like Apple Books, Kindle, and Google Play Books.
3. How do I choose an International Maxxforce Engine Repair Manual book to read? Genres: Consider the genre you enjoy (fiction, non-fiction, mystery, sci-fi, etc.). Recommendations: Ask friends, join book clubs, or explore online reviews and recommendations. Author: If you like a particular author, you might enjoy more of their work.
4. How do I take care of International Maxxforce Engine Repair Manual books? Storage: Keep them away from direct sunlight and in a dry environment. Handling: Avoid folding pages, use bookmarks, and handle them with clean hands. Cleaning: Gently dust the covers and pages occasionally.
5. Can I borrow books without buying them? Public Libraries: Local libraries offer a wide range of books for borrowing.

- Book Swaps: Community book exchanges or online platforms where people exchange books.
6. How can I track my reading progress or manage my book collection? Book Tracking Apps: Goodreads, LibraryThing, and Book Catalogue are popular apps for tracking your reading progress and managing book collections. Spreadsheets: You can create your own spreadsheet to track books read, ratings, and other details.
 7. What are International Maxxforce Engine Repair Manual audiobooks, and where can I find them? Audiobooks: Audio recordings of books, perfect for listening while commuting or multitasking. Platforms: Audible, LibriVox, and Google Play Books offer a wide selection of audiobooks.
 8. How do I support authors or the book industry? Buy Books: Purchase books from authors or independent bookstores. Reviews: Leave reviews on platforms like Goodreads or Amazon. Promotion: Share your favorite books on social media or recommend them to friends.
 9. Are there book clubs or reading communities I can join? Local Clubs: Check for local book clubs in libraries or community centers. Online Communities: Platforms like Goodreads have virtual book clubs and discussion groups.
 10. Can I read International Maxxforce Engine Repair Manual books for free? Public Domain Books: Many classic books are available for free as they're in the public domain. Free E-books: Some websites offer free e-books legally, like Project Gutenberg or Open Library.

Find International Maxxforce Engine Repair Manual :

[minimalist lifestyle roadmap United States 17-1196](#) [minimalist lifestyle case study United States 17-1980](#) [TikTok marketing case study for United States 17-463](#) [small business ideas guide for small business 17-243](#) **blockchain development best practices USA 17-2925** [blockchain ideas for creators 17-1516](#) [weight loss review America 17-1115](#) [weight retirement planning software America 17-1471](#) **retirement planning checklist America 17-2083** [minimalist lifestyle checklist for small States 17-1182](#) [blockchain development roadmap United States 17-1861](#) [estate investing checklist USA 17-2679](#) [real estate investing checklist creators 17-751](#) [budget travel checklist America 17-2208](#) [budget travel side hustles step by step for startups 17-1608](#) **side hustles strategies side hustles blueprint United States 17-2886** [side hustles case study for](#)

**wearable technology tutorial USA 17-2205 wearable technology tutorial
funding review America 17-1687 startup funding review USA 17-2194
small business 17-1439 VPN services comparison for creators 17-2663 VPN**

International Maxxforce Engine Repair Manual :

[il pane 70 ricette classiche e innovative di pani fatti in casa](#) - Nov 23 2022

web acquista il pane 70 ricette classiche e innovative di pani fatti in casa su libreria universitaria spedizione gratuita sopra i 25 euro su libreria universitaria

il pane 70 ricette classiche e innovative di pani fatti in casa - Jan 26 2023

web acquista online il libro il pane 70 ricette classiche e innovative di pani fatti in casa di bernd armbrust in offerta a prezzi imbattibili su mondadori store

[il pane 70 ricette classiche e innovative di pani fatti in casa](#) - Mar 28 2023

web il pane 70 ricette classiche e innovative di pani fatti in casa armbrust bernd giusti a punzo s isbn 9788848127042 kostenloser versand für alle bücher mit versand

il pane 70 ricette classiche e innovative di pani fatti in casa ediz - Jun 18 2022

web il pane 70 ricette classiche e innovative di pani fatti in casa ediz illustrata gli illustrati di natura e salute armbrust bernd punzo s giusti a amazon es libros

il pane 70 ricette classiche e innovative di pani fatti in casa - Feb 24 2023

web il pane 70 ricette classiche e innovative di pani fatti in casa bernd armbrust 9788848127042 books amazon ca

il pane tecniche nuove - Apr 28 2023

web 70 ricette per il corpo e l'anima raccolte da un maestro dell'arte fornaia pani classici internazionali pani dolci per la colazione e raffinati pani ripieni con le ricette base per

[il pane 70 ricette classiche e innovative di pani fatti in casa](#) - Oct 23 2022

web il pane 70 ricette classiche e innovative di pani fatti in casa libro bernd armbrust 2 recensioni questa offerta termina tra 1g 03h 37m 09s 16 07 18 90 15

[il pane 70 ricette classiche e innovative di pani fatti in casa](#) - Sep 02 2023

web nov 1 2011 il pane 70 ricette classiche e innovative di pani fatti in casa armbrust bernd on amazon com free shipping on qualifying offers il pane 70 ricette

il pane 70 ricette classiche e innovative di pani fatti in casa - Aug 01 2023

web il pane 70 ricette classiche e innovative di pani fatti in casa è un libro di bernd armbrust pubblicato da tecniche nuove

nella collana gli illustrati di natura e salute acquista su

i 10 migliori libri sul pane fatto in casa notizie scientifiche it - Jan 14 2022

web jan 1 2023 il pane gluten free pani pizze e focacce fatte in casa pedrolli gaia 2021 160 il pane 70 ricette classiche e innovative di pani fatti in casa armbrust bernd

i magnifici 70 tra panna e salmone che piatti salvare - Nov 11 2021

web aug 21 2008 magari anche quella spontanea il problema secondo me non sono gli ingredienti ricorrenti l'importante è la qualità degli stessi e una buona esecuzione della

il pane 70 ricette classiche e innovative di pani copy - Dec 13 2021

web il pane 70 ricette classiche e innovative di pani 1 il pane 70 ricette classiche e innovative di pani la nuova cucina mediterranea nelle regole della nostra tradizione

amazon it il pane 70 ricette classiche e innovative di pani fatti in - Oct 03 2023

web scopri il pane 70 ricette classiche e innovative di pani fatti in casa ediz illustrata di armbrust bernd punzo s giusti a spedizione gratuita per i clienti prime e per ordini

il pane 70 ricette classiche e innovative di pani pdf - Feb 12 2022

web il pane 70 ricette classiche e innovative di pani la cucina dei trabocchi la cucina del monastero ricette di cucina naturale per ogni stagione come perdere 12 chili in

il pane cucina e salute ricette alimentazione e benessere - Apr 16 2022

web 70 ricette per il corpo e l'anima raccolte da un maestro dell'arte fornaia pani classici internazionali pani dolci per la colazione e raffinati pani ripieni con le ricette base per

il pane 70 ricette classiche e innovative di pani fatti in casa ediz - May 18 2022

web compre online il pane 70 ricette classiche e innovative di pani fatti in casa ediz illustrata de armbrust bernd punzo s giusti a na amazon frete grÁtis em

il pane 70 ricette classiche e innovative di pani fatti in casa - Sep 21 2022

web il pane 70 ricette classiche e innovative di pani fatti in casa armbrust bernd giusti a punzo s amazon com be livres

il pane 70 ricette classiche e innovative di pani fatti in casa - Aug 21 2022

web achetez et téléchargez ebook il pane 70 ricette classiche e innovative di pani fatti in casa italian edition boutique kindle loisirs créatifs maison déco amazon fr

il pane 70 ricette classiche e innovative di pani fatti in casa - Dec 25 2022

web il pane 70 ricette classiche e innovative di pani fatti in casa italian edition ebook armbrust bernd amazon de kindle shop

il pane 70 ricette classiche e innovative di pani fatti in casa - Jun 30 2023

web nov 3 2011 il pane 70 ricette classiche e innovative di pani fatti in casa italian edition kindle edition by armbrust bernd
download it once and read it on your kindle device

i migliori libri sul pane libri news - Mar 16 2022

web feb 17 2023 il pane 70 ricette classiche e innovative di pani fatti in casa a quando risale il primo utilizzo del pane il
grande libro del pane 5 prezzo 23 74 vedi su

il pane 70 ricette classiche e innovative di pani fatti in casa - Jul 20 2022

web il pane 70 ricette classiche e innovative di pani fatti in casa italian edition ebook armbrust bernd amazon es tienda
kindle

il pane 70 ricette classiche e innovative di pani fatti in casa ediz - May 30 2023

web il pane 70 ricette classiche e innovative di pani fatti in casa ediz illustrata armbrust bernd punzo s giusti a amazon com
au books

cad forum cad bim library of free blocks crane single hoo - Sep 04 2022

web free cad bim blocks models symbols and details free cad and bim blocks library content for autocad autocad lt revit
inventor fusion 360 and other 2d and 3d cad applications by autodesk cad blocks and files can be downloaded in the formats
dwg rfa ipt f3d you can exchange useful blocks and symbols with other cad and bim

cad drawings american crane equipment corporation - Jun 01 2022

web cad drawings american crane budgit chester hoist cm coffing little mule magnetek yale dwg and pdf files are available
for download online for more information about our products and services click here brochures looking for more information
browse our resource library

download free high quality cad drawings organized by - May 12 2023

web thousands of free manufacturer specific cad drawings blocks and details for download in multiple 2d and 3d formats

41 22 23 19 monorail hoists arcat - Dec 07 2022

web building product divisions 41 material processing and handling equipment 41 22 23 19 monorail hoists manufacturers of
monorail hoists browse companies that make monorail hoists and view and download their free cad drawing revit bim files
specifications and other content relating to monorail hoists as well as other product information

crane mono rail dwg detail for autocad designs cad - Jul 02 2022

web crane mono rail dwg detail for autocad structures details technical specifications drawing labels details and other text
information extracted from the cad file translated from spanish cad drawings view all downloads post navigation previous
structure rehabilitation dwg block for autocad next sealer gun 3d dwg

overhead bridge crane free 3d cad models 2d drawings - Oct 05 2022

web dec 15 2011 name overhead bridge crane description cap 450t configure download rating comments 4 tags 0 alternate versions download the model according to the specified sizing parameters in either 3d or 2d format

hoist central cad drawings library - Dec 27 2021

web hoist central offers a comprehensive library of cad drawings dwg for a wide range of industry leading hoists download hoist system cad files for use when building with overhead material handling cad drawings for columbus mckinnon brands cm hoists yale hoists budgit hoists and coffing hoists are available for download

download free high quality cad drawings organized by - Nov 06 2022

web thousands of free manufacturer specific cad drawings blocks and details for download in multiple 2d and 3d formats

monorails spanco inc caddetails - Apr 11 2023

web listings cad files specifications 1 alu track monorail crane mt 8 xxalu xxx 2 ceiling mounted monorail crane mt 8 xx xxx 3 freestanding monorail crane fsmt 8 xx xxx 4 headerless workstation bridge crane or monorail xxxscxxxxxxx

free cad designs files 3d models the grabcad community - Mar 10 2023

web the grabcad library offers millions of free cad designs cad files and 3d models join the grabcad community today to gain access and download monorail recent models 3d cad model collection grabcad community library

crane cad drawings american crane equipment corporation - Aug 15 2023

web powerhouse turbine cranes double girder cranes class a c top running with fixed wheels less hoist double girder cranes class d top running with rotating axle wheels less hoist single girder cranes class a c top running with fixed axle wheels less hoist single girder cranes class d under running less hoist

monorail block in autocad cad download 192 88 kb bibliocad - Feb 09 2023

web download cad block in dwg capture and personalize the silhouette in top view monorail wagon unit front and side view in dwg format 192 88 kb

overhead cranes free cad block and autocad drawing - Feb 26 2022

web feb 23 2018 draftman overhead crane commonly known as crane bridges is a type of crane found in an industrial environment overhead crane consists of a runway parallel to the bridge spanning the gap the crane lifts the crane to the bridge if the bridge is rigorously supported on a two legged stand above the ground anchor

overhead bridge crane dwg world biggest free autocad - Mar 30 2022

web the crane lifts the crane to the bridge if the bridge is rigorously supported on a two legged stand above the ground anchor autocad drawing free download in dwg file formats to be used with autocad and other 2d design software be at liberty to download and share them resolute help they get more exhausted less time download

crane dwg free cad blocks download dwg models - Jul 14 2023

web crane free autocad drawings free download 99 66 kb downloads 43762 formats dwg category transport building technics cad blocks free download crane other high

bim objects free download construction crane bimobject - Aug 03 2022

web download free bim objects for construction including construction crane as autodesk revit families sketchup autodesk vectorworks or archicad files set your location and language to prioritise localised information

cad drawings library american crane - Jan 08 2023

web access our cad library the american crane cad library houses easy to download cad drawings down to the most specific specifications the drawings are available to download as dwg and pdf files and are broken down by model capacity span and many other specifications some of the available categories include

autocad drawing crane models turbosquid - Jan 28 2022

web autocad drawing 3d crane models for download files in dwg with low poly animated rigged game and vr options

overhead bridge crane in autocad download cad free 1 36 - Apr 30 2022

web industrial bridge crane construction details beam lanes library machinery mechanical machinery industrial download dwg free 1 36 mb 78k views

crane mono rail in autocad cad download 92 42 kb bibliocad - Jun 13 2023

web crane mono rail dwg crane mono rail jose orlando bueno ponce save structures details technical specifications library construction site machinery download dwg premium 92 42 kb

librería dykinson metodología del atestado policial Álvarez - Dec 07 2022

web es pretensión de los autores que la presente obra constituya una guía práctica de obligada y constante consulta para los profesionales de la policía y complemento en la formación de los que en el futuro pasen a formar parte de los distintos cuerpos policiales en estas páginas el lector descubrirá una precisa metodología que con gran

qué es un atestado policial definición de atestado policial - Sep 04 2022

web el atestado policial es un documento oficial en el que se plasman todas las diligencias practicadas para averiguar y comprobar que efectivamente se ha producido un hecho delictivo es decir todas las declaraciones y los documentos recibidos que pudiesen constituir indicio de delito al practicarse las diligencias enunciadas los agentes

metodología del atestado policial aspectos proces 2023 - Aug 15 2023

web la diegética policial es el nuevo lenguaje del probatorio penal y la policiología escuelas del pensamiento jurídico policiología del tipo preventivo al represivo el atestado o acta policial origen o fuente de la prueba el monopolio de la violencia vs legalidad del atestado en iberoamérica supremacía del atestado policial en el

metodología del atestado policial aspectos proces - Feb 09 2023

web chosen books like this metodologia del atestado policial aspectos proces but end up in infectious downloads rather than enjoying a good book with a cup of tea in the afternoon instead they are facing with some malicious bugs inside their laptop metodologia del atestado policial aspectos proces is available in our digital library an online

metodologia del atestado policial aspectos proces download - Mar 30 2022

web this online broadcast metodologia del atestado policial aspectos proces can be one of the options to accompany you past having additional time it will not waste your time allow me the e book will agreed tune you further business to read just invest little era to read this on line broadcast metodologia del atestado policial aspectos proces

metodologia del atestado policial aspectos proces book - Mar 10 2023

web metodologia del atestado policial aspectos proces la víctima en el proceso penal jul 04 2020 estudio de caso aug 29 2022 este estudio de caso presenta aspectos clave del origen decisión y diseño del proceso de modernización y transformación institucional de la policía nacional de colombia mti puesto en marcha en marzo de 2017

qué es un atestado policial y para qué sirve en un accidente - Nov 06 2022

web apr 8 2020 carlos gonzález 6 min lectura 08 abr 2020 21 00h el atestado policial es una pieza clave en la reconstrucción de un accidente de tráfico siempre y cuando hayan existido víctimas

metodología del atestado policial aspectos procesales y - Jul 14 2023

web policial aspectos procesales y aproximación a las diligencias policiales de investigación la entrada y registro en lugar cerrado jose ramon metodología del atestado policial aspectos procesales y francisco martín ancín dialnet metodología del atestado policial tirant lo blanch metodología del atestado policial aspectos procesales y

metodologia del atestado policial aspectos proces copy - Dec 27 2021

web jun 20 2023 metodologia del atestado policial aspectos proces 1 9 downloaded from uniport edu ng on june 20 2023 by guest metodologia del atestado policial aspectos proces this is likewise one of the factors by obtaining the soft documents of this metodologia del atestado policial aspectos proces by online

metodologia del atestado policial aspectos proces copy - Jan 28 2022

web jun 28 2023 metodologia del atestado policial aspectos proces 2 10 downloaded from uniport edu ng on june 28 2023 by guest naturalised theories of method such as quine laudan and rescher this book offers readers a comprehensive introduction to the idea of scientific method and a wide ranging discussion of how historians of science

metodologia del atestado policial aspectos proces copy - Apr 30 2022

web may 8 2023 metodologia del atestado policial aspectos proces is available in our book collection an online access to it is set as public so you can download it instantly our book servers spans in multiple locations allowing you to get the most less latency time to

metodología del atestado policial aspectos proces download - Aug 03 2022

web metodologia del atestado policial aspectos proces la investigación e imputación policial en los delitos contra los recursos naturales y el medio ambiente a global alliance against forced labour theories of scientific method handbook of public policy agenda setting discipline and punish prisons of poverty criminal evidence and human rights

metodología del atestado policial aspectos procesales y dialnet - Apr 11 2023

web en estas páginas el lector descubrirá una precisa metodología que con gran rigor jurídico en la elaboración del atestado analiza las diversas actuaciones policiales en torno a los hechos delictivos ajustándose en todo momento a criterios legales y jurisprudenciales

metodología del atestado policial aspectos proces monograf - Jun 01 2022

web we find the money for metodologia del atestado policial aspectos proces and numerous books collections from fictions to scientific research in any way among them is this metodologia del atestado policial aspectos proces that can be your partner metodologia del atestado policial aspectos proces downloaded from monograf no

metodología del atestado policial aspectos proces - Jan 08 2023

web metodologia del atestado policial aspectos proces metodología del atestado policial manual operativo del director y jefe de seguridad cómo se forman los policías la protección de testigos en delitos de criminalidad organizada psicología e investigación criminal el testimonio basic concepts in sociology métodos técnicas e

test sobre el atestado policial test de leyes - Feb 26 2022

web os dejo 4 exámenes exclusivos para vosotros de una gran recopilación de preguntas de exámenes oficiales a policía local y municipal y otras oposiciones donde se recogen lo más importante en relación al atestado policial el número del examen y preguntas irán en aumento así que no dudes en volver que te recuerdo que es totalmente gratis

metodología del atestado policial aspectos proces pdf - Jul 02 2022

web jul 2 2023 metodologia del atestado policial aspectos proces 2 9 downloaded from uniport edu ng on july 2 2023 by guest provocative classroom narratives and its coverage of political economic and social factors that are undervalued in other educational textbooks an international committee of experts ranked life in

metodología del atestado policial aspectos procesales y - May 12 2023

web en estas páginas el lector descubrirá una precisa metodología que con gran rigor jurídico en la elaboración del atestado analiza las diversas actuaciones policiales en torno a los hechos delictivos ajustándose en todo momento a criterios legales y jurisprudenciales

metodología del atestado policial aspectos procesales y - Oct 05 2022

web aproximación a las diligencias policiales de investigación metodología del atestado policial aspectos procesales y

procesales libros bid free pdf metodologia del atestado policial aspectos atestado policial y su relevancia en el proceso penal el diligencias policiales de investigación guias usal es síntesis del protocolo policial en

metodologia del atestado policial aspectos proces - Jun 13 2023

web metodologia del atestado policial aspectos proces el valor probatorio del atestado policial en el proceso penal peruano sep 18 2022 atestado may 22 2020 resumen código ley de enjuiciamiento criminal con cd rom mar 20 2020 articula un método de inspección técnico ocular de siniestros mitos que permite contar con una pauta