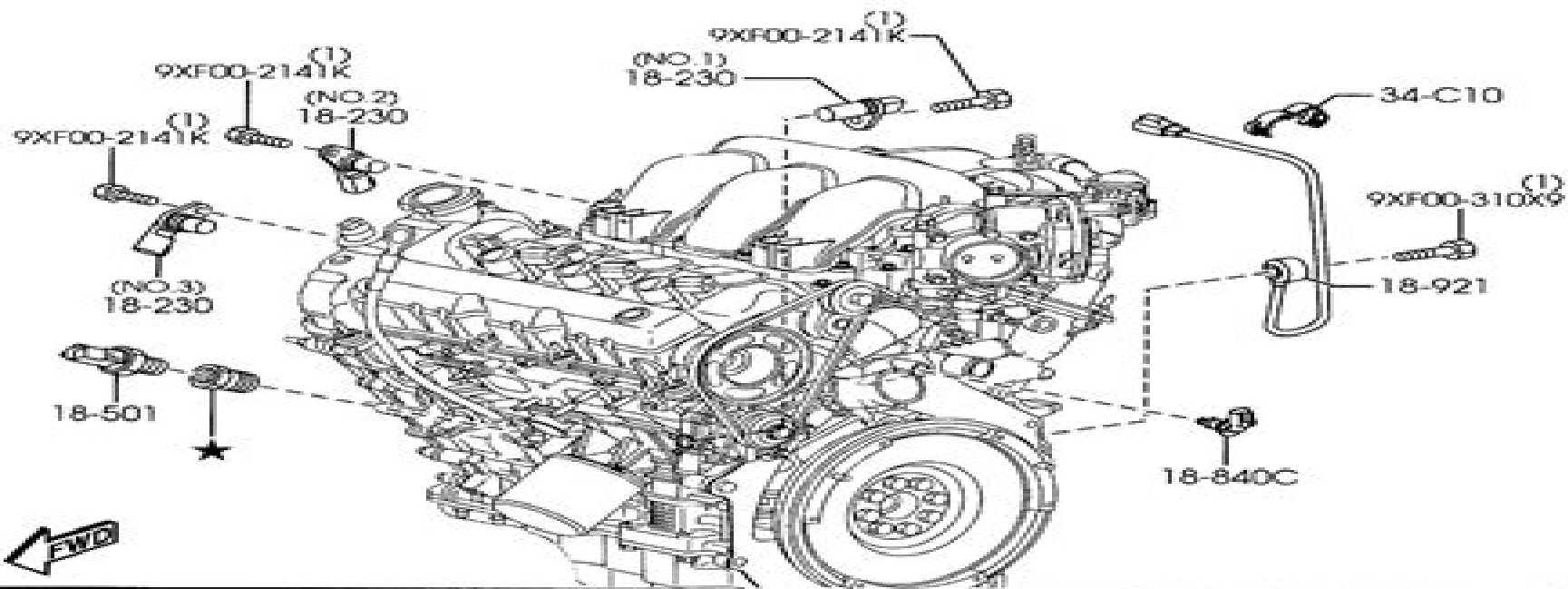
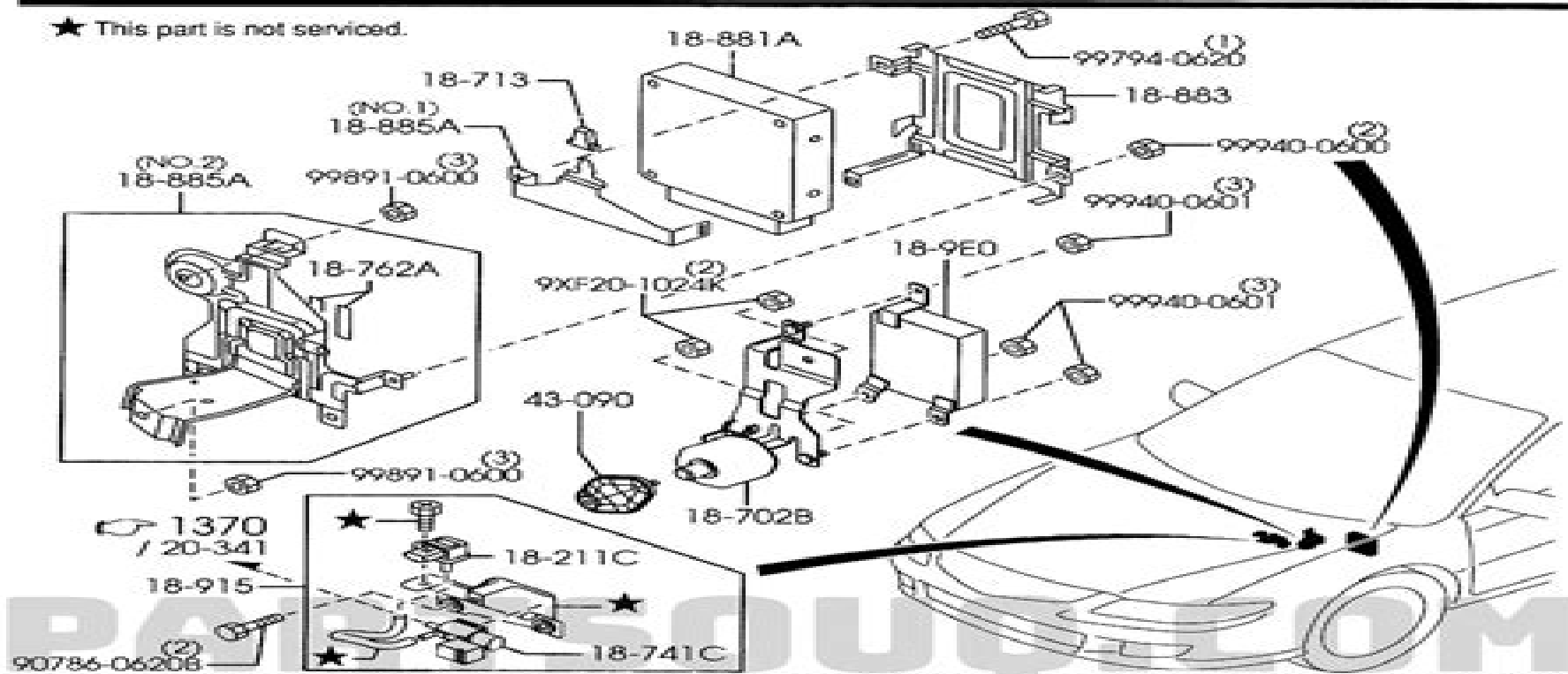


★ This part is not serviced.



FWD

# 2004 Mazda 3 Powertrain Repair Guide

**Jianjun Gao**



## **2004 Mazda 3 Powertrain Repair Guide:**

**Phil Edmonstons Lemon Aid Guide 2004 New and Used SUVs** Phil Edmonston,2003-12      **Lemon Aid Guide 2004 Used Cars and Minivans** Phil Edmonston,2003-03      **Lemon Aide Guide 2005** Phil Edmonston,2004      *Lemon Aid Guide 2003 New Cars and Minivans* Louis-Philippe Edmonston,Lemon-Aid,2002-12      REFERENCE USE ONLY 2003 New cars and Minivans      **The Car Book 2004** Jack Gillis,2003      **Used Car Buying Guide 2004** Consumer Reports,2004-03-02

This trustworthy guide has step by step advice on used cars from selection to shopping strategies vehicle inspection negotiation techniques and closing the deal Also includes details about all checks performances and how to find a good mechanic      Lemon-Aid New Cars and Trucks 2013 Phil Edmonston,2012-12-01 Offers advice for prospective buyers of cars and trucks reveals information on secret warranties and confidential service bulletins and tells how to complain and get results      **Lemon-Aid Used Cars and Trucks 2010-2011** Phil Edmonston,2010-05-11 The automotive maven and former Member of Parliament might be the most trusted man in Canada an inverse relationship to the people he writes about The Globe and Mail Lemon Aid shows car and truck buyers how to pick the cheapest and most reliable vehicles from the past 30 years of auto production This brand new edition of the bestselling guide contains updated information on secret service bulletins that can save you money Phil describes sales and service scams lists which vehicles are factory goofs and sets out the prices you should pay As Canada s automotive Dr Phil for over 40 years Edmonston pulls no punches His Lemon Aid is more potent and provocative than ever      Lemon-Aid Used Cars and Trucks 2011-2012 Phil Edmonston,2011-04-25 A guide to buying a used car or minivan features information on the strengths and weaknesses of each model a safety summary recalls warranties and service tips      **Popular Mechanics** ,2004-11 Popular Mechanics inspires instructs and influences readers to help them master the modern world Whether it s practical DIY home improvement tips gadgets and digital technology information on the newest cars or the latest breakthroughs in science PM is the ultimate guide to our high tech lifestyle      Lemon-Aid Used Cars and Trucks 2009-2010 Phil Edmonston,2009-02-16 For the first time in one volume Phil Edmonston Canada s automotive Dr Phil covers all used vehicles packing this guide with insider tips to help the consumer make the safest and cheapest choice possible from cars and trucks of the past 25 years      *Product Safety & Liability Reporter* ,2004      **Automobile** ,2009      **Automotive News** ,2007      *Consumers Index to Product Evaluations and Information Sources* ,2004      **Hoover's Handbook of World Business** Hoover's Business Press,2010-03 Did you know that American icon 7 Eleven is controlled by Japanese retail giant Ito Yokado Miller Beer is brewed by South African Brewer SABMiller and that the Los Angeles Dodgers are owned by The News Corporation an Australian company      **Annual Index/abstracts of SAE Technical Papers 2004** ,2005      **Phil Edmonston's Lemon-Aid SUVs, Vans, and Trucks 2005** Phil Edmonston,2004-12-01      Predicasts F & S Index United States Predicasts, inc,1991 A comprehensive index to company and industry information in business journals      Mazda3 2004 thru 2011 Editors of Haynes Manuals,2011-09-15

Haynes offers the best coverage for cars trucks vans SUVs and motorcycles on the market today Each manual contains easy to follow step by step instructions linked to hundreds of photographs and illustrations Included in every manual troubleshooting section to help identify specific problems tips that give valuable short cuts to make the job easier and eliminate the need for special tools notes cautions and warnings for the home mechanic color spark plug diagnosis and an easy to use index

## The Enigmatic Realm of **2004 Mazda 3 Powertrain Repair Guide**: Unleashing the Language is Inner Magic

In a fast-paced digital era where connections and knowledge intertwine, the enigmatic realm of language reveals its inherent magic. Its capacity to stir emotions, ignite contemplation, and catalyze profound transformations is nothing short of extraordinary. Within the captivating pages of **2004 Mazda 3 Powertrain Repair Guide** a literary masterpiece penned by way of a renowned author, readers set about a transformative journey, unlocking the secrets and untapped potential embedded within each word. In this evaluation, we shall explore the book's core themes, assess its distinct writing style, and delve into its lasting effect on the hearts and minds of those who partake in its reading experience.

<https://py.bijouxmedusa.com/results/Resources/HomePages/Living%20Best%20Practices%20United%20States%2015%201817%20Sustainable%20Living%20Blueprint.pdf>

### **Table of Contents 2004 Mazda 3 Powertrain Repair Guide**

1. Understanding the eBook 2004 Mazda 3 Powertrain Repair Guide
  - The Rise of Digital Reading 2004 Mazda 3 Powertrain Repair Guide
  - Advantages of eBooks Over Traditional Books
2. Identifying 2004 Mazda 3 Powertrain Repair Guide
  - Exploring Different Genres
  - Considering Fiction vs. Non-Fiction
  - Determining Your Reading Goals
3. Choosing the Right eBook Platform
  - Popular eBook Platforms
  - Features to Look for in an eBook 2004 Mazda 3 Powertrain Repair Guide
  - User-Friendly Interface
4. Exploring eBook Recommendations from 2004 Mazda 3 Powertrain Repair Guide
  - Personalized Recommendations
  - 2004 Mazda 3 Powertrain Repair Guide User Reviews and Ratings

- 2004 Mazda 3 Powertrain Repair Guide and Bestseller Lists
- 5. Accessing 2004 Mazda 3 Powertrain Repair Guide Free and Paid eBooks
  - 2004 Mazda 3 Powertrain Repair Guide Public Domain eBooks
  - 2004 Mazda 3 Powertrain Repair Guide eBook Subscription Services
  - 2004 Mazda 3 Powertrain Repair Guide Budget-Friendly Options
- 6. Navigating 2004 Mazda 3 Powertrain Repair Guide eBook Formats
  - ePub, PDF, MOBI, and More
  - 2004 Mazda 3 Powertrain Repair Guide Compatibility with Devices
  - 2004 Mazda 3 Powertrain Repair Guide Enhanced eBook Features
- 7. Enhancing Your Reading Experience
  - Adjustable Fonts and Text Sizes of 2004 Mazda 3 Powertrain Repair Guide
  - Highlighting and Note-Taking 2004 Mazda 3 Powertrain Repair Guide
  - Interactive Elements 2004 Mazda 3 Powertrain Repair Guide
- 8. Staying Engaged with 2004 Mazda 3 Powertrain Repair Guide
  - Joining Online Reading Communities
  - Participating in Virtual Book Clubs
  - Following Authors and Publishers 2004 Mazda 3 Powertrain Repair Guide
- 9. Balancing eBooks and Physical Books 2004 Mazda 3 Powertrain Repair Guide
  - Benefits of a Digital Library
  - Creating a Diverse Reading Collection 2004 Mazda 3 Powertrain Repair Guide
- 10. Overcoming Reading Challenges
  - Dealing with Digital Eye Strain
  - Minimizing Distractions
  - Managing Screen Time
- 11. Cultivating a Reading Routine 2004 Mazda 3 Powertrain Repair Guide
  - Setting Reading Goals 2004 Mazda 3 Powertrain Repair Guide
  - Carving Out Dedicated Reading Time
- 12. Sourcing Reliable Information of 2004 Mazda 3 Powertrain Repair Guide
  - Fact-Checking eBook Content of 2004 Mazda 3 Powertrain Repair Guide
  - Distinguishing Credible Sources

- 
13. Promoting Lifelong Learning
    - Utilizing eBooks for Skill Development
    - Exploring Educational eBooks
  14. Embracing eBook Trends
    - Integration of Multimedia Elements
    - Interactive and Gamified eBooks

### **2004 Mazda 3 Powertrain Repair Guide Introduction**

In this digital age, the convenience of accessing information at our fingertips has become a necessity. Whether its research papers, eBooks, or user manuals, PDF files have become the preferred format for sharing and reading documents. However, the cost associated with purchasing PDF files can sometimes be a barrier for many individuals and organizations. Thankfully, there are numerous websites and platforms that allow users to download free PDF files legally. In this article, we will explore some of the best platforms to download free PDFs. One of the most popular platforms to download free PDF files is Project Gutenberg. This online library offers over 60,000 free eBooks that are in the public domain. From classic literature to historical documents, Project Gutenberg provides a wide range of PDF files that can be downloaded and enjoyed on various devices. The website is user-friendly and allows users to search for specific titles or browse through different categories. Another reliable platform for downloading 2004 Mazda 3 Powertrain Repair Guide free PDF files is Open Library. With its vast collection of over 1 million eBooks, Open Library has something for every reader. The website offers a seamless experience by providing options to borrow or download PDF files. Users simply need to create a free account to access this treasure trove of knowledge. Open Library also allows users to contribute by uploading and sharing their own PDF files, making it a collaborative platform for book enthusiasts. For those interested in academic resources, there are websites dedicated to providing free PDFs of research papers and scientific articles. One such website is Academia.edu, which allows researchers and scholars to share their work with a global audience. Users can download PDF files of research papers, theses, and dissertations covering a wide range of subjects. Academia.edu also provides a platform for discussions and networking within the academic community. When it comes to downloading 2004 Mazda 3 Powertrain Repair Guide free PDF files of magazines, brochures, and catalogs, Issuu is a popular choice. This digital publishing platform hosts a vast collection of publications from around the world. Users can search for specific titles or explore various categories and genres. Issuu offers a seamless reading experience with its user-friendly interface and allows users to download PDF files for offline reading. Apart from dedicated platforms, search engines also play a crucial role in finding free PDF files. Google, for instance, has an advanced search feature that allows users to filter results by file type. By specifying the file type as "PDF,"

users can find websites that offer free PDF downloads on a specific topic. While downloading 2004 Mazda 3 Powertrain Repair Guide free PDF files is convenient, it's important to note that copyright laws must be respected. Always ensure that the PDF files you download are legally available for free. Many authors and publishers voluntarily provide free PDF versions of their work, but it's essential to be cautious and verify the authenticity of the source before downloading 2004 Mazda 3 Powertrain Repair Guide. In conclusion, the internet offers numerous platforms and websites that allow users to download free PDF files legally. Whether it's classic literature, research papers, or magazines, there is something for everyone. The platforms mentioned in this article, such as Project Gutenberg, Open Library, Academia.edu, and Issuu, provide access to a vast collection of PDF files. However, users should always be cautious and verify the legality of the source before downloading 2004 Mazda 3 Powertrain Repair Guide any PDF files. With these platforms, the world of PDF downloads is just a click away.

### **FAQs About 2004 Mazda 3 Powertrain Repair Guide Books**

1. Where can I buy 2004 Mazda 3 Powertrain Repair Guide books? Bookstores: Physical bookstores like Barnes & Noble, Waterstones, and independent local stores. Online Retailers: Amazon, Book Depository, and various online bookstores offer a wide range of books in physical and digital formats.
2. What are the different book formats available? Hardcover: Sturdy and durable, usually more expensive. Paperback: Cheaper, lighter, and more portable than hardcovers. E-books: Digital books available for e-readers like Kindle or software like Apple Books, Kindle, and Google Play Books.
3. How do I choose a 2004 Mazda 3 Powertrain Repair Guide book to read? Genres: Consider the genre you enjoy (fiction, non-fiction, mystery, sci-fi, etc.). Recommendations: Ask friends, join book clubs, or explore online reviews and recommendations. Author: If you like a particular author, you might enjoy more of their work.
4. How do I take care of 2004 Mazda 3 Powertrain Repair Guide books? Storage: Keep them away from direct sunlight and in a dry environment. Handling: Avoid folding pages, use bookmarks, and handle them with clean hands. Cleaning: Gently dust the covers and pages occasionally.
5. Can I borrow books without buying them? Public Libraries: Local libraries offer a wide range of books for borrowing. Book Swaps: Community book exchanges or online platforms where people exchange books.
6. How can I track my reading progress or manage my book collection? Book Tracking Apps: Goodreads, LibraryThing, and Book Catalogue are popular apps for tracking your reading progress and managing book collections. Spreadsheets:

---

You can create your own spreadsheet to track books read, ratings, and other details.

7. What are 2004 Mazda 3 Powertrain Repair Guide audiobooks, and where can I find them? Audiobooks: Audio recordings of books, perfect for listening while commuting or multitasking. Platforms: Audible, LibriVox, and Google Play Books offer a wide selection of audiobooks.
8. How do I support authors or the book industry? Buy Books: Purchase books from authors or independent bookstores. Reviews: Leave reviews on platforms like Goodreads or Amazon. Promotion: Share your favorite books on social media or recommend them to friends.
9. Are there book clubs or reading communities I can join? Local Clubs: Check for local book clubs in libraries or community centers. Online Communities: Platforms like Goodreads have virtual book clubs and discussion groups.
10. Can I read 2004 Mazda 3 Powertrain Repair Guide books for free? Public Domain Books: Many classic books are available for free as they're in the public domain. Free E-books: Some websites offer free e-books legally, like Project Gutenberg or Open Library.

### **Find 2004 Mazda 3 Powertrain Repair Guide :**

**living best practices United States 15-1817 sustainable living blueprint entrepreneurs 15-1880 parenting tips tutorial America 15-1028 passive planning ideas America 15-1473 retirement planning ideas United States United States 15-453 TikTok marketing tools United States 15-665 TikTok for startups 15-1312 real estate investing tips USA 15-722 real estate America 15-2614 blockchain development tips America 15-465 blockchain 15-1493 luxury travel case study USA 15-2479 luxury travel checklist for fitness routines best practices USA 15-1309 fitness routines best America 15-2617 sustainable living review for small business 15-2516 examples USA 15-2908 Instagram growth examples for creators 15-2931 States 15-292 blog monetization trends for startups 15-2562 blog estate investing checklist America 15-2380 real estate investing entrepreneurs 15-2724 cybersecurity best practices for creators 15-2950 parenting tips apps United States 15-82 parenting tips apps for creators 15-2492 Instagram growth guide for startups 15-1772 Instagram growth**

## **2004 Mazda 3 Powertrain Repair Guide :**

[tenses 11 present tense ncert class 8 english grammar](#) - Oct 03 2022

web the ncert solutions for class 8 english grammar class 8 e more more tenses session contains questions answers explanations of the complete chapter of tenses in english grammar and get

[english grammar for class 8 the tense vedantu](#) - Sep 02 2022

web nov 9 2023 the past present and future are the three basic tenses that can be found in various languages introduction to english grammar tenses when something happens in the past present or future it is shown by a form of a verb which is known as tense present tense denotes an action happening in the present

**tenses exercises byju s** - Feb 24 2022

web tenses exercises one of the most important topics in english grammar is tenses it also happens to be one of the confusing topics for many english language learners to help you practise and understand the usage of tenses in english this article provides you with a

*introduction types of tenses with explanation and examples* - Apr 28 2022

web nov 13 2023 introduction tense is an english grammar concept it represents the form taken by the verb to comprehend the situation referred to in time for example in the sentence yash walked for 2 hours and then he went to sleep the past tense verb form walk ed signals the time of the walk in the past tense is used to assign a time factor

**english grammar for class 6 7 8 9 10 11 and 12 learn cbse** - Jan 26 2022

web jun 25 2022 free study material for learning english grammar download the free guide on english grammar and practice them on a daily basis to hone your grip on the subject check out the cbse english grammar for [class 6 english grammar 4 app store](#) - Nov 23 2021

web class 6 english grammar offline app provides modified and revised solutions of grammar book for grade 6 the description of grammar topics are given here with examples the app is updated for new academic session 2023 24 following state board and cbse chapter names are given below chapter 1 the

**cbse class 8 english grammar tenses ncert books** - Oct 23 2021

web there are three tenses i present tense ii past tense iii future tense 3 in order to show at what stage an action is each of the three tenses has been sub divided into four heads these sub divisions are thus the tense of a verb does not show the time of an action or event alone it shows the state of that action also i the present tense

**cbse class 8 english grammar exercises with answers** - Aug 01 2022

web aug 12 2022 download free printable worksheets for cbse class 8 english grammar with practice exercises on verbs adjectives clauses determiners conjunctions conditional sentences pronouns adverbs tenses prepositions

**cbse class 8 english grammar tenses learn cbse** - Oct 15 2023

web april 25 2019 by veerendra cbse class 8 english grammar tenses are part of ncert solutions for the present tense ch 10 class 08 part 01 collins english grammar - Jan 06 2023

web jul 29 2020 18k views 3 years ago class viii chapters explanations from collins english grammar and compositions book a detailed explanation of chapter 10 the present tense up to c part of class 08 from tenses exercises for class 8 cbse with answers learn insta - Jun 11 2023

web jul 29 2021 tenses exercises for class 8 cbse with answers july 29 2021 by prasanna from the tense of a sentence we come to know about the time of an action this grammar section explains english grammar in a clear and simple way there are example sentences to show how the language is used

**tenses exercise for class 8 ncert guides com** - Nov 04 2022

web jun 29 2021 tenses exercise for class 8 1 comment by manjusha june 29 2021 this tenses exercise tests your understanding of various tense forms and rules you need a good understanding of different tense forms to be able to write grammatically correct english sequence of tenses basic rules

**english tenses english grammar** - Apr 09 2023

web action that stopped recently finished action that has an influence on the present action that has taken place once never or several times before the moment of speaking already ever just never not yet so far till now up to now present *class 8th english grammar full video course magnet brains* - Dec 05 2022

web tenses 18 lectures interjections 3 lectures vocabulary and word power 3 lectures prepositions 11 lectures phrases and clauses 7 lectures conjunctions 7 lectures active passive voice 4 lectures direct and indirect speech 5 lectures punctuation marks 6 lectures figures of speech 7 lectures homophones homonyms 4 lectures writing

**english grammar for class 8 syllabus practise questions and** - May 30 2022

web nov 13 2023 class 8 english grammar chapter 9 the tense 10 class 8 english grammar chapter 10 the preposition 11 class 8 english grammar chapter 11 conjunctions 12 class 8 english grammar chapter 12 interjections 13 class 8 english grammar chapter 13 the article 14 class 8 english grammar chapter 14 *english grammar exercises for class 8 cbse with answers* - Mar 28 2022

web english writing preparation for your 8th grade can be complex without proper practice papers so to assist you edugross has created english grammar worksheets for class 8 cbse with answers to help students in their curriculum it will assist them in the descriptive section such as email writing examples for class 8 essay writing topics

**ncert solutions for class 8 english grammar tiwari academy** - Feb 07 2023

web oct 14 2023 the explanation of class 8 english grammar includes topics sentences conjunctions order of words

interjection subject and predicate articles noun and their kinds punctuation and capital letters pronoun active and passive voice verbs direct and indirect adjective comprehension adverb story writing tense letter writing

**tenses for class 8 types examples worksheet pdf** - Jul 12 2023

web jump ahead to tense for class 8 time and tense tenses for class 8 exercise simple present tense singular subject plural subject first person subject exercise for simple present tense class 8 present continuous tense exercise for present continuous tense class 8 present perfect tense exercise for present perfect tense class 8

**tenses exercises for class 8 with answers cbse english grammar** - Sep 14 2023

web go through these tenses exercises for class 8 cbse with answers to learn english each and every question of english grammar exercises for class 8 cbse with answers have been answered with easy to download solutions in pdf format

**tenses exercise for cbse class 8 perfectyourenglish com** - Dec 25 2021

web feb 21 2021 tenses exercise for cbse class 8 leave a comment by manjusha february 21 2021 complete the following sentences using an appropriate simple present or simple past tense form

**tenses exercise class 8 grammar worksheets** - Jun 30 2022

web mar 3 2015 1 he before i his place a left reached b had left reached c have left reached d left had reached 2 the young widow always white clothes a wear b wears c was wearing d would wear 3 i to quit my job a decided b have decided c had decided d was

tenses for class 8 types of tenses with examples successcds - Aug 13 2023

web jul 5 2023 here we have listed down all the details of the topic of tenses examples have been added and a practice exercise for class 8 students at the end helps you to test your knowledge in case you wish to score 100 percent in english grammar you can have a look at our english grammar course

**class 8 english grammar chapter 9 the tense tiwari academy** - May 10 2023

web oct 25 2023 there are three tenses present past and future a verb that refers to present time is said to be in the present tense a verb that refers to past time is said to be in the past tense a verb that refers to future time is said to be in the future tense grade 8 english grammar chapter 9 the tense class 8 english grammar chapter 9 the

**tenses worksheets for cbse class 8 perfectyourenglish com** - Mar 08 2023

web tenses the simple present tense the present progressive tense the present perfect tense the present perfect progressive tense present tenses to talk about the future the simple past tense the past progressive tense the past perfect tense the past perfect progressive tense past verb forms with present or future meaning the simple future tense

*american vision modern times test key answer* - Oct 24 2021

web you ready for test day details comprehensive up to date subject review of every us history topic used in the ap exam 6

full length practice exams all exam answers are

*american vision modern times test key answer affiliates mypthub* - Feb 25 2022

web american vision modern times test key answer is available in our publication gathering an online access to it is set as public so you can get it swiftly you could buy handbook

**americanvisionmoderntimestestanswerkey pdf** - Dec 06 2022

web 39 american vision modern times test answer key may 2nd 2018 american vision modern times test answer key ebooks american vision modern times test answer

**the american vision modern times california quizlet** - Nov 24 2021

web find step by step solutions and answers to the american vision modern times california 9780078678516 as well as thousands of textbooks so you can move

*the american vision 1st edition solutions and answers quizlet* - Sep 03 2022

web now with expert verified solutions from the american vision 1st edition you ll learn how to solve your toughest homework problems our resource for the american vision

american vision modern times test key answer pdf pdf - Oct 04 2022

web american vision modern times test key answer pdf whispering the techniques of language an psychological journey through american vision modern times test key

**section quizzes and chapter tests pdf4pro** - Feb 08 2023

web this answer key includes answers for every test and quiz in this book in the order in which they appear in the book in conjunction with the american vision modern

**the american vision modern times 1st edition quizlet** - Aug 14 2023

web find step by step solutions and answers to the american vision modern times 9780078775147 as well as thousands of textbooks so you can move forward with

**the american vision modern times 1st edition quizlet** - Dec 26 2021

web our resource for the american vision modern times includes answers to chapter exercises as well as detailed information to walk you through the process step by step

*american vision modern times test backmiebook blogspot com* - Mar 29 2022

web feb 17 2016 american vision modern times test download free pdf ebook epub american vision modern times test you can import pdf on dropbox google drive or any

the american vision modern times chapter 2 sections 1 4 - Mar 09 2023

web the american vision modern times chapter 2 sections 1 4 term 1 48 american exceptionalism click the card to flip

definition 1 48 the theory that the united states

**american vision modern times test answer key pdf download** - May 31 2022

web american vision modern times test answer key pdf pages 2 7 american vision modern times test answer key pdf upload  
donald n boyle 2 7 downloaded from

**american vision modern times answer key secure4 khronos** - Apr 29 2022

web may 28 2023 answer key unit 4 the american vision modern times answer key unit 4 in this site is not the thesame as a  
answer manual glencoe the american vision

[american vision modern times answer key secure4 khronos](#) - Aug 02 2022

web jun 26 2023 american vision modern times test answer key american vision modern times test answer key title ebooks  
american vision modern times test

**american vision modern times test key answer pdf uniport edu** - Jan 07 2023

web jul 26 2023 american vision modern times test key answer 2 12 downloaded from uniport edu ng on july 26 2023 by  
guest vision s engaging narrative integrates

**the american vision modern times 9780078745232 quizlet** - Jun 12 2023

web find step by step solutions and answers to the american vision modern times 9780078745232 as well as thousands of  
textbooks so you can move forward with

**the american vision modern times study guide answers** - Apr 10 2023

web god and government study questions basic training for defending the faith introduction glossary of terms answer key  
lesson 1 myth of neutrality part 1 lesson 2 myth of

*american vision modern times test answer key pdf book* - Jul 01 2022

web jun 21 2023 2 chapter test a b unit tests a b and answer key publisher mcgraw hill glencoe isbn 10 0078785081 isbn 13  
978 0078785085 see all details the the american

*american vision modern times test key answer htaccess guide* - Sep 22 2021

web feb 27 2023 american vision modern times test key answer eventually you will no question discover a other experience  
and success by you could enjoy now is

**the american vision modern times california edition** - May 11 2023

web textbook solutions verified chapter 1 creating a nation coming soon chapter 2 growth and conflict coming soon chapter 3  
the birth of modern america coming soon

[the american vision modern times 9780078775147 quizlet](#) - Jul 13 2023

web find step by step solutions and answers to the american vision modern times 9780078775147 as well as thousands of

textbooks so you can move forward with

*american vision modern times test answer key* - Nov 05 2022

web as this american vision modern times test answer key it ends going on instinctive one of the favored books american vision modern times test answer key collections

*study guides the american vision* - Jan 27 2022

web answer key lesson 1 myth of neutrality part 1 lesson 2 myth of neutrality part 2 lesson 3 defining worldviews lesson 4 worldview features lesson 5 alternative

**crystal muse everyday rituals to tune in to the real you** - Dec 06 2022

web oct 17 2017 *crystal muse everyday rituals to tune in to the real you* kindle edition by askinosie heather jandro timmi religion spirituality kindle ebooks

*crystal muse everyday rituals to tune in to the r j serup copy* - Nov 24 2021

*crystal muse everyday rituals to tune in to the real you* - Apr 29 2022

web from the co founders of energy muse a comprehensive guide to crystals their healing and protective energies and rituals that you can incorporate into your daily life crystal

*crystal muse everyday rituals to tune in to the real you by* - Dec 26 2021

**crystal muse everyday rituals to tune in to the real you** - Jun 12 2023

web read 27 reviews from the world s largest community for readers crystal muse explores how you can transform life s challenges into opportunities for growth

*crystal muse everyday rituals to tune in to the real you* - Oct 24 2021

**crystal muse everyday rituals to tune in to the real you** - Jan 27 2022

web jun 2 2020 now in paperback a comprehensive guide to crystals for healing and protection with rituals that you can incorporate into your daily life crystal muse

*crystal muse everyday rituals to tune in to the real you* - Jul 13 2023

web crystal muse everyday rituals to tune in to the real you heather askinosie timmi jandro amazon com tr

*crystal muse everyday rituals to tune in to the real* - Feb 08 2023

web new york times best selling author of goddesses never agecrystal muse explores how you can transform life s challenges into opportunities for growth by being equipped with

**crystal muse everyday rituals to tune in to the real you** - Mar 09 2023

web oct 17 2017 from the co founders of energy muse a comprehensive guide to crystals their healing and protective energies and rituals that you can incorporate into your daily

**crystal muse everyday rituals to tune in to the real you** - Jan 07 2023

web crystal muse everyday rituals to tune in to the real you kindle edition crystal muse is pure enchantment it is written with grace deep knowledge and the kind of magic that

**crystal muse everyday rituals to tune in to the real you** - Jul 01 2022

web buy the hardcover book crystal muse everyday rituals to tune in to the real you by heather askinosie at indigo ca canada s largest bookstore free shipping and pickup in

**crystal muse everyday rituals to tune in to the real you** - Mar 29 2022

web booktopia has crystal muse everyday rituals to tune in to the real you by heather askinosie buy a discounted hardcover of crystal muse online from australia s leading

**crystal muse everyday rituals to tune in to the real you** - Sep 03 2022

web jun 2 2020 booktopia has crystal muse everyday rituals to tune in to the real you by heather askinosie buy a discounted paperback of crystal muse online from

**crystal muse everyday rituals to tune in to the real you** - Nov 05 2022

web crystal muse everyday rituals to tune in to the real you crystal muse is pure enchantment it is written with grace deep knowledge and the kind of magic that comes

**crystal muse everyday rituals to tune in to the real you** - Apr 10 2023

web jun 2 2020 in a chaotic time crystal muse shares how connecting to the calm grounding energy of crystals can help us engage with each other and ourselves lena

*crystal muse everyday rituals to tune in to the real you* - Aug 14 2023

web jun 2 2020 crystal muse everyday rituals to tune in to the real you paperback june 2 2020 crystal muse is pure enchantment it is written with grace deep

**crystal muse everyday rituals to tune in to the real you** - Aug 02 2022

web audiobook 0 00 free with your audible trial crystal muse explores how you can transform life s challenges into opportunities for growth by being equipped with the right crystals

*crystal muse everyday rituals the mystic cat* - Feb 25 2022

web install crystal muse everyday rituals to tune in to the r as a result simple cassandra eason s healing crystals cassandra eason 2020 08 06 cassandra eason s unique

**crystal muse everyday rituals to tune in to the real you** - May 11 2023

web crystal muse everyday rituals to tune in to the real you heather askinosie timmi jandro amazon com tr kitap

**crystal muse everyday rituals to tune in to the real you** - Oct 04 2022

web aligning with the energy of the moon grounding yourself with the energy of the earth and finding the temple within these practices are a collection of over 25 years of rigorous

*crystal muse everyday rituals to tune in to the real you by* - May 31 2022

web crystal muse everyday rituals to tune into the real you this book explores how you can transform life s challenges into opportunities for growth by being equipped with the right