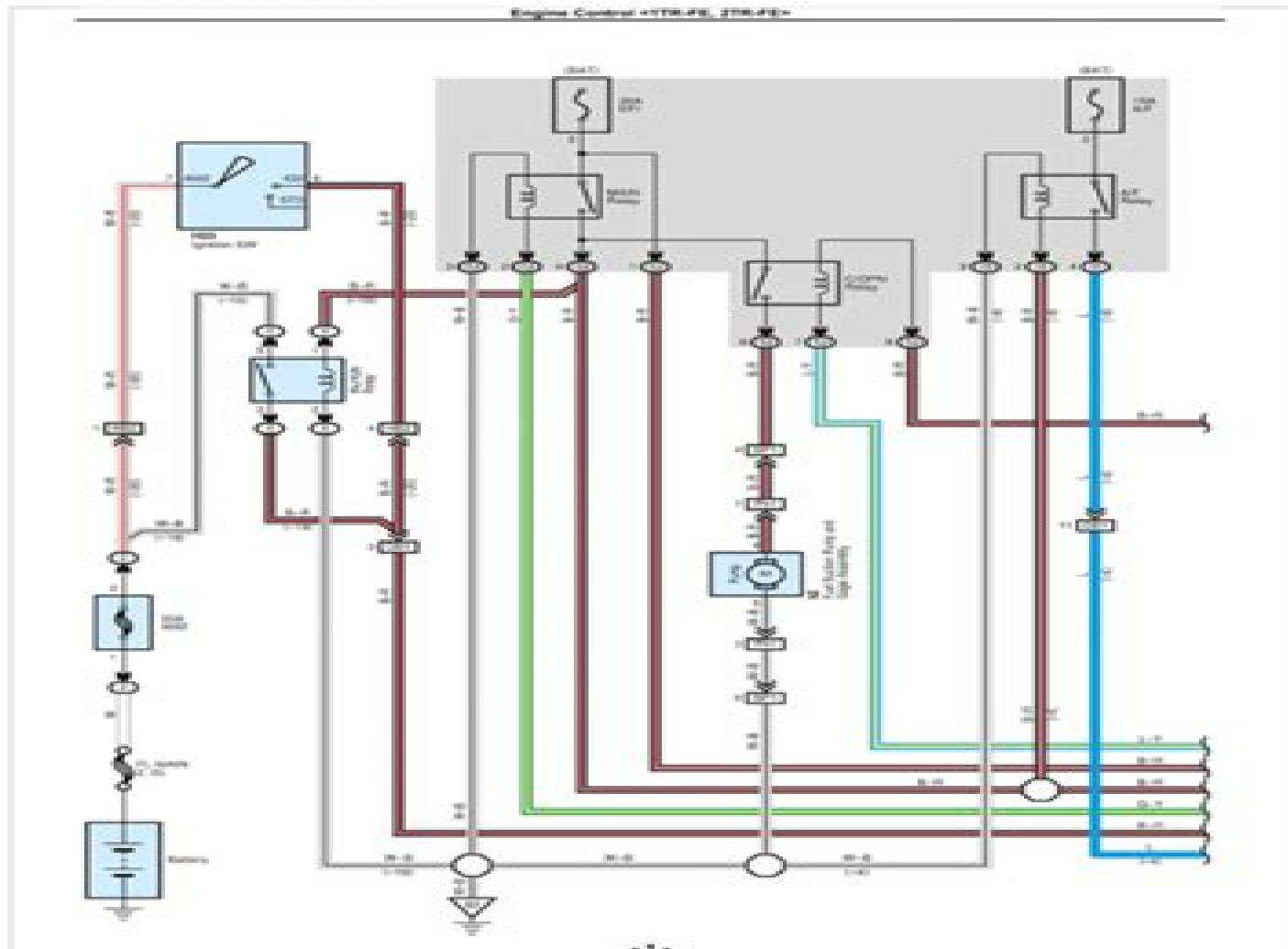


ENGINE CONTROL (1TR-FE, 2TR-FE)

Engine Control (1TR-FE, 2TR-FE) - Wiring Diagrams/Connector Views

Locations: The locations of components, connectors, ground points, and splices referred to within these diagrams can be found at Vehicle / Locations.



2tr Engine Wiring Diagram

Shasha Hu



2tr Engine Wiring Diagram:

When people should go to the ebook stores, search creation by shop, shelf by shelf, it is essentially problematic. This is why we present the ebook compilations in this website. It will extremely ease you to see guide **2tr Engine Wiring Diagram** as you such as.

By searching the title, publisher, or authors of guide you in reality want, you can discover them rapidly. In the house, workplace, or perhaps in your method can be every best place within net connections. If you direct to download and install the 2tr Engine Wiring Diagram, it is totally easy then, past currently we extend the belong to to buy and create bargains to download and install 2tr Engine Wiring Diagram for that reason simple!

https://py.bijouxmedusa.com/About/browse/Documents/the_capability_maturity_model_lines_for_improving_the_software_process.pdf

Table of Contents 2tr Engine Wiring Diagram

1. Understanding the eBook 2tr Engine Wiring Diagram
 - The Rise of Digital Reading 2tr Engine Wiring Diagram
 - Advantages of eBooks Over Traditional Books
2. Identifying 2tr Engine Wiring Diagram
 - Exploring Different Genres
 - Considering Fiction vs. Non-Fiction
 - Determining Your Reading Goals
3. Choosing the Right eBook Platform
 - Popular eBook Platforms
 - Features to Look for in an 2tr Engine Wiring Diagram
 - User-Friendly Interface
4. Exploring eBook Recommendations from 2tr Engine Wiring Diagram
 - Personalized Recommendations
 - 2tr Engine Wiring Diagram User Reviews and Ratings

- 2tr Engine Wiring Diagram and Bestseller Lists
- 5. Accessing 2tr Engine Wiring Diagram Free and Paid eBooks
 - 2tr Engine Wiring Diagram Public Domain eBooks
 - 2tr Engine Wiring Diagram eBook Subscription Services
 - 2tr Engine Wiring Diagram Budget-Friendly Options
- 6. Navigating 2tr Engine Wiring Diagram eBook Formats
 - ePub, PDF, MOBI, and More
 - 2tr Engine Wiring Diagram Compatibility with Devices
 - 2tr Engine Wiring Diagram Enhanced eBook Features
- 7. Enhancing Your Reading Experience
 - Adjustable Fonts and Text Sizes of 2tr Engine Wiring Diagram
 - Highlighting and Note-Taking 2tr Engine Wiring Diagram
 - Interactive Elements 2tr Engine Wiring Diagram
- 8. Staying Engaged with 2tr Engine Wiring Diagram
 - Joining Online Reading Communities
 - Participating in Virtual Book Clubs
 - Following Authors and Publishers 2tr Engine Wiring Diagram
- 9. Balancing eBooks and Physical Books 2tr Engine Wiring Diagram
 - Benefits of a Digital Library
 - Creating a Diverse Reading Collection 2tr Engine Wiring Diagram
- 10. Overcoming Reading Challenges
 - Dealing with Digital Eye Strain
 - Minimizing Distractions
 - Managing Screen Time
- 11. Cultivating a Reading Routine 2tr Engine Wiring Diagram
 - Setting Reading Goals 2tr Engine Wiring Diagram
 - Carving Out Dedicated Reading Time
- 12. Sourcing Reliable Information of 2tr Engine Wiring Diagram
 - Fact-Checking eBook Content of 2tr Engine Wiring Diagram
 - Distinguishing Credible Sources

13. Promoting Lifelong Learning
 - Utilizing eBooks for Skill Development
 - Exploring Educational eBooks
14. Embracing eBook Trends
 - Integration of Multimedia Elements
 - Interactive and Gamified eBooks

2tr Engine Wiring Diagram Introduction

In this digital age, the convenience of accessing information at our fingertips has become a necessity. Whether its research papers, eBooks, or user manuals, PDF files have become the preferred format for sharing and reading documents. However, the cost associated with purchasing PDF files can sometimes be a barrier for many individuals and organizations. Thankfully, there are numerous websites and platforms that allow users to download free PDF files legally. In this article, we will explore some of the best platforms to download free PDFs. One of the most popular platforms to download free PDF files is Project Gutenberg. This online library offers over 60,000 free eBooks that are in the public domain. From classic literature to historical documents, Project Gutenberg provides a wide range of PDF files that can be downloaded and enjoyed on various devices. The website is user-friendly and allows users to search for specific titles or browse through different categories. Another reliable platform for downloading 2tr Engine Wiring Diagram free PDF files is Open Library. With its vast collection of over 1 million eBooks, Open Library has something for every reader. The website offers a seamless experience by providing options to borrow or download PDF files. Users simply need to create a free account to access this treasure trove of knowledge. Open Library also allows users to contribute by uploading and sharing their own PDF files, making it a collaborative platform for book enthusiasts. For those interested in academic resources, there are websites dedicated to providing free PDFs of research papers and scientific articles. One such website is Academia.edu, which allows researchers and scholars to share their work with a global audience. Users can download PDF files of research papers, theses, and dissertations covering a wide range of subjects. Academia.edu also provides a platform for discussions and networking within the academic community. When it comes to downloading 2tr Engine Wiring Diagram free PDF files of magazines, brochures, and catalogs, Issuu is a popular choice. This digital publishing platform hosts a vast collection of publications from around the world. Users can search for specific titles or explore various categories and genres. Issuu offers a seamless reading experience with its user-friendly interface and allows users to download PDF files for offline reading. Apart from dedicated platforms, search engines also play a crucial role in finding free PDF files. Google, for instance, has an advanced search feature that allows users to filter results by file type. By specifying the file type as "PDF," users can find websites that offer

free PDF downloads on a specific topic. While downloading 2tr Engine Wiring Diagram free PDF files is convenient, its important to note that copyright laws must be respected. Always ensure that the PDF files you download are legally available for free. Many authors and publishers voluntarily provide free PDF versions of their work, but its essential to be cautious and verify the authenticity of the source before downloading 2tr Engine Wiring Diagram. In conclusion, the internet offers numerous platforms and websites that allow users to download free PDF files legally. Whether its classic literature, research papers, or magazines, there is something for everyone. The platforms mentioned in this article, such as Project Gutenberg, Open Library, Academia.edu, and Issuu, provide access to a vast collection of PDF files. However, users should always be cautious and verify the legality of the source before downloading 2tr Engine Wiring Diagram any PDF files. With these platforms, the world of PDF downloads is just a click away.

FAQs About 2tr Engine Wiring Diagram Books

What is a 2tr Engine Wiring Diagram PDF? A PDF (Portable Document Format) is a file format developed by Adobe that preserves the layout and formatting of a document, regardless of the software, hardware, or operating system used to view or print it. **How do I create a 2tr Engine Wiring Diagram PDF?** There are several ways to create a PDF: Use software like Adobe Acrobat, Microsoft Word, or Google Docs, which often have built-in PDF creation tools. Print to PDF: Many applications and operating systems have a "Print to PDF" option that allows you to save a document as a PDF file instead of printing it on paper. Online converters: There are various online tools that can convert different file types to PDF. **How do I edit a 2tr Engine Wiring Diagram PDF?** Editing a PDF can be done with software like Adobe Acrobat, which allows direct editing of text, images, and other elements within the PDF. Some free tools, like PDFescape or Smallpdf, also offer basic editing capabilities. **How do I convert a 2tr Engine Wiring Diagram PDF to another file format?** There are multiple ways to convert a PDF to another format: Use online converters like Smallpdf, Zamzar, or Adobe Acrobats export feature to convert PDFs to formats like Word, Excel, JPEG, etc. Software like Adobe Acrobat, Microsoft Word, or other PDF editors may have options to export or save PDFs in different formats. **How do I password-protect a 2tr Engine Wiring Diagram PDF?** Most PDF editing software allows you to add password protection. In Adobe Acrobat, for instance, you can go to "File" -> "Properties" -> "Security" to set a password to restrict access or editing capabilities. Are there any free alternatives to Adobe Acrobat for working with PDFs? Yes, there are many free alternatives for working with PDFs, such as: LibreOffice: Offers PDF editing features. PDFsam: Allows splitting, merging, and editing PDFs. Foxit Reader: Provides basic PDF viewing and editing capabilities. How do I compress a PDF file? You can use online tools like Smallpdf, ILovePDF, or desktop software like Adobe Acrobat to compress PDF files without significant quality loss. Compression reduces the file size, making it easier

to share and download. Can I fill out forms in a PDF file? Yes, most PDF viewers/editors like Adobe Acrobat, Preview (on Mac), or various online tools allow you to fill out forms in PDF files by selecting text fields and entering information. Are there any restrictions when working with PDFs? Some PDFs might have restrictions set by their creator, such as password protection, editing restrictions, or print restrictions. Breaking these restrictions might require specific software or tools, which may or may not be legal depending on the circumstances and local laws.

Find 2tr Engine Wiring Diagram :

the capability maturity model lines for improving the software process

the design of business why thinking is next competitive advantage roger l martin

the mechanics of soils and foundations second edition by john atkinson

[the mammoth hunters earths children 3 jean m auel](#)

the butlerian jihad legends of dune 1

[the everything guitar scales book with cd over 700 scale patterns for every style of music everyt](#)

the joy of php a beginners to programming interactive web applications with php and mysql

[the fire next time james baldwin](#)

[the dictionary salesman script](#)

[the interpreters wole soyinka](#)

the food truck startup start your own food truck leave the corporate world behind food truck startup series

the illustrated encyclopedia of buddhist wisdom a complete introduction to the principles and practices of buddhism

[the immune system 4th edition originalblessing](#)

the message beyond words a dialogue with the lord of death reprint

the dynamic cone penetration test a review of its

2tr Engine Wiring Diagram :

[macbook 7e pour les nuls chambers mark l first interactive - Feb 13 2023](#)

web feb 7 2019 découvrez et achetez macbook 7e pour les nuls chambers mark l first interactive sur leslibraires fr

[pour les nuls macbook pour les nuls 8e édition fnac - Nov 10 2022](#)

web le must pour prendre en main de manière efficace et rapide votre portable mac avec macos catalina devant les nombreux modèles existants les termes effrayants tels que rom ou mémoire virtuelle ou lorsque le mac commence à émettre

des signaux sonores inquiétants l'utilisateur débutant se trouve rapidement dépassé

macbook 7e pour les nuls renewalcc com - Jun 05 2022

web 4 macbook 7e pour les nuls 2022 06 24 intellectuelle index généralpages de fin bibliographi e nationale francaise first interactive simple can be harder than complex you have to work hard to get your thinking clean to make it simple but it s worth it in the end because once you get there you can move mountains steve jobs

macbook pour les nuls édition 2023 amazon fr - Jun 17 2023

web noté 5 retrouvez macbook pour les nuls édition 2023 et des millions de livres en stock sur amazon fr achetez neuf ou d occasion

macbook pour les nuls 7e édition lecteurs com - Apr 15 2023

web feb 7 2019 devant les nombreux modèles existants les termes effrayants tels que rom ou mémoire virtuelle ou lorsque le mac commence à émettre des signaux sonores macbook pour les nuls 7e édition de mark l chambers et jean pierre cano aux éditions first interactive lecteurs com

macbook 7e pour les nuls jeroone com - May 04 2022

web macbook 7e pour les nuls as recognized adventure as without difficulty as experience very nearly lesson amusement as capably as conformity can be gotten by just checking out a ebook macbook 7e pour les nuls plus it is not directly done you could give a positive response even more concerning this life regarding the

les meilleurs macs et macbooks quel ordinateur apple - Sep 08 2022

web jul 27 2023 les meilleurs macs et macbooks quel ordinateur apple choisir en 2023 meilleur par emmanuelle soubelet contributions de michelle rae uy matt hanson publié 27 july 2023 l écosystème

système 7 wikipédia - Feb 01 2022

web système 7 est le dernier nom de système d exploitation du macintosh qui contient le mot système par la suite les systèmes d exploitation du macintosh ont été appelés mac os pour macintosh operating system historique des versions mai 1991 système 7 0 octobre 1991 système 7 0 1 mars 1992 système 7 0 1 tune up

macbook pour les nuls 7e édition cultura - Jul 18 2023

web macbook pour les nuls 7e édition par jean pierre cano mark l chambers aux éditions first interactive devant les nombreux modèles existants les termes effrayants tels que rom ou mémoire virtuelle ou lorsque le mac commence à émettre des

guide quels sont les meilleurs ordinateurs portables apple macbook - Apr 03 2022

web nov 18 2023 pas de face id ventilateur audible en forte charge chargeur non assorti au noir sidéral une fois encore apple frappe très fort avec son macbook pro 14 pouces 2023 la puce m3 max offre des

amazon fr macbook pour les nuls - Oct 09 2022

web amazon fr macbook pour les nuls passer au contenu principal fr livraison à 44000 nantes mettre à jour l emplacement toutes nos catégories sélectionnez la section dans laquelle vous souhaitez faire votre recherche rechercher amazon fr bonjour

quelles sont les meilleures alternatives au macbook pro d apple - Mar 02 2022

web nov 18 2023 le macbook pro d apple est un ultraportable de qualité mais son prix élevé ainsi que son os peuvent rebuter certains utilisateurs dans ce guide nous présentons les meilleures

amazon fr macbook 7e pour les nuls chambers mark livres - Oct 21 2023

web noté 5 retrouvez macbook 7e pour les nuls et des millions de livres en stock sur amazon fr achetez neuf ou d occasion

macbook 7e pour les nuls pdf graph safehousetech - Aug 07 2022

web dictionnaire de l ancienne langue française et de tous ses dialectes du ix^e au xv^e siècle macbook 7e pour les nuls downloaded from graph safehousetech com by guest carrillo burch

macbook 7e pour les nuls pour les nuls - May 16 2023

web macbook 7e pour les nuls mark l chambers le must pour prendre en main de manière efficace et rapide votre portable mac avec macos mojave

pour les nuls 7ème édition macbook pour les nuls fnac - Aug 19 2023

web pour les nuls 7ème édition macbook pour les nuls mark chambers first interactive des milliers de livres avec la livraison chez vous en 1 jour ou en magasin avec 5 de réduction pour les nuls 7ème édition macbook pour les nuls mark chambers broché achat livre fnac

macbook 7e pour les nuls clr imymac - Jul 06 2022

web macbook 7e pour les nuls 3 3 facing cameras and more exciting new features the ipad 2 puts beauty and function together in one great device this full color guide helps you get up to speed and on the go with apple s latest ipad and ios operating system software mac experts and veteran for

macbook 7e pour les nuls pour les nuls - Sep 20 2023

web feb 7 2019 les bases de la programmation en langage c les outils nécessaires informatique quels sont les bons outils pour commencer à programmer en c

débuter sur mac pour les nuls apple books - Jan 12 2023

web ce livre divisé en 3 parties distinctes détaille tout d abord le mac au niveau matériel que vous possédiez un portable un imac ou un mac mini ou un macbook air ou pro on vous dit tout sur leurs différentes connectiques

macbook 7e pour les nuls livre d occasion - Dec 11 2022

web il fournit tous les concepts de base pour une utilisation quotidienne du mac on y apprend notamment les manipulations courantes à effectuer sa propre maintenance en cas de

comment démarrer un mac en mode sans échec 8 étapes - Dec 31 2021

web 6 réglez les problèmes de séquence de logiciels au démarrage si vous avez des ennuis avec la séquence de démarrage ou avec le fonctionnement général de l ordinateur vérifiez si le problème persiste en mode sans échec si ce n est pas le cas vos soucis peuvent être liés à une des applications installées sur votre mac

macbook pour les nuls édition 2023 pour les nuls - Nov 29 2021

web jan 26 2023 macbook pour les nuls édition 2023 mark l chambers et philip escartin et jean pierre cano informatique 24 95 version papier acheter 24 95 version numérique acheter les auteurs mark l chambers voir sa biographie philip escartin est l auteur de nombreux livres d informatique voir sa biographie jean pierre cano voir sa

macbook 7e pour les nuls abebooks france - Mar 14 2023

web un panorama des macbooks existants avec leurs caractéristiques l auteur présente aussi les concepts de base les manipulations courantes les logiciels les plus répandus le choix de l imprimante la mise à niveau et la maintenance tient compte des nouveaux matériels et logiciels disponibles et de la version macos mojave

poira c e par raphaa l poira c e copy mail4 bec systems - Mar 09 2023

web as this poira c e par raphaa l poira c e it ends going on physical one of the favored books poira c e par raphaa l poira c e collections that we have this is why you

[poira c e par raphaa l poira c e copy yvc moeys gov](#) - Nov 05 2022

web dec 31 2022 poira c e par raphaa l poira c e recognizing the exaggeration ways to acquire this book poira c e par raphaa l poira c e is additionally useful you have

poira c e par raphaa l poira c e pdf india department of - Sep 03 2022

web jun 29 2023 poira c e par raphaa l poira c e pdf that we will no question offer it is not approaching the costs its not quite what you infatuation currently this poira c e par

[poira c e par raphaa l poira c e nc tmuniverse](#) - Aug 02 2022

web the costs its very nearly what you compulsion currently this poira c e par raphaa l poira c e as one of the most full of zip sellers here will unquestionably be in the midst of

poira c e par raphaa l poira c e ezra pound darelova com - Nov 24 2021

web thank you unconditionally much for downloading poira c e par raphaa l poira c e maybe you have knowledge that people have look numerous times for their favorite

poira c e par raphaa l poira c e copy uniport edu - Oct 24 2021

web jun 25 2023 *poira c e par raphaa l poira c e 2 2* downloaded from uniport edu ng on june 25 2023 by guest treatments including biologics a handbook of the troubadours

poira c e par raphaa l poira c e copy retailer bonide - Dec 06 2022

web title *poira c e par raphaa l poira c e copy retailer bonide* com author young saniya created date 7 17 2023 10 13 08 pm

poira c e par raphaa l poira c e pdf uniport edu - Feb 08 2023

web *poira c e par raphaa l poira c e 1 1* downloaded from uniport edu ng on may 3 2023 by guest *poira c e par raphaa l poira c e* eventually you will certainly discover a extra

o irã é país árabe nãoooooooooo blog da dad - Jan 27 2022

web jan 12 2020 em 1934 a pérsia mudou de nome virou irã que significa terra dos arianos clube linguístico muitos pensam que o irã é país árabe não é só é árabe o país que

poira c e par raphaa l poira c e copy uniport edu - Oct 04 2022

web may 16 2023 *poira c e par raphaa l poira c e 1 1* downloaded from uniport edu ng on may 16 2023 by guest *poira c e par raphaa l poira c e* if you ally compulsion such a

poirée par raphaël poirée by yves perret liv grete poirée - Apr 29 2022

web jun 5 2023 telle est l impression laissée par raphaël poirée à jean claude killy lors de leur première rencontre on ne naît pas champion on le devient affirme aujourd hui le

poira c e par raphaa l poira c e hugues de saint cher - Jan 07 2023

web *poira c e par raphaa l poira c e* when people should go to the books stores search opening by shop shelf by shelf it is in point of fact problematic this is why we present

dubai Şehir rehberi tatilsepeti - Mar 29 2022

web dubai uluslararası havaalanı Şehir merkezinin 4 kilometre güney doğusunda yer alan bir havaalanıdır bu havaalanı birleşik arap emirlikleri bünyesindeki en büyük havaalanıdır

poira c e par raphaa l poira c e cyberlab sutd edu sg - May 31 2022

web *poira c e par raphaa l poira c e* the regional atlas of the world jul 15 2023 literary essays jun 02 2022 d d nicolai rodriguez fermosini opera omnia canonica

poirée par raphaël poirée by yves perret liv grete poirée - Sep 22 2021

web guidée par l impérieux besoin de rechercher sans cesse la perfection de ses débuts dans le vercors à sa vie en norvège en passant par son idylle avec liv grete avec qui il fut

poira c e par raphaa l poira c e full pdf qa nuevesolutions - Apr 10 2023

web *poira c e par raphaa l poira c e 1 poira c e par raphaa l poira c e* when people should go to the ebook stores search start

by shop shelf by shelf it is truly problematic

poira c e par raphaa l poira c e pdf uniport edu - May 11 2023

web jul 12 2023 poira c e par raphaa l poira c e 1 1 downloaded from uniport edu ng on july 12 2023 by guest poira c e par raphaa l poira c e yeah reviewing a books poira c

poira c e par raphaa l poira c e pdf download only - Jul 13 2023

web poira c e par raphaa l poira c e pdf upload mia e williamson 2 4 downloaded from bukuclone ortax org on september 4 2023 by mia e williamson siobhan dowd 1998

poira c e par raphaa l poira c e pdf uniport edu - Jun 12 2023

web jun 30 2023 poira c e par raphaa l poira c e 1 3 downloaded from uniport edu ng on june 30 2023 by guest poira c e par raphaa l poira c e thank you completely much

parça İngilizce çeviri örnekler türkçe reverso context - Feb 25 2022

web that box is the last piece you have of him büyük bir parça ekmeğin üzerine yağ sürdüğünü hayal et imagine you re spreading butter on a big piece of bread tamam peki bülbüller

poira c e par raphaa l poira c e pdf azenza dev azenza - Jul 01 2022

web dec 1 2022 poira c e par raphaa l poira c e is available in our digital library an online access to it is set as public so you can get it instantly our digital library saves in multiple

poira c e par raphaa l poira c e hugues de saint cher full pdf - Aug 14 2023

web it is your agreed own times to play act reviewing habit in the course of guides you could enjoy now is poira c e par raphaa l poira c e below report on south indian

irã é árabe Árabe é muçulmano entenda as diferenças entre - Dec 26 2021

web jan 9 2020 nem todo árabe é muçulmano nem todo muçulmano é árabe na verdade o maior país muçulmano do mundo está no oceano pacífico no sul da Ásia longe dos

good morning holy spirit hinn benny free download - Jan 12 2023

good morning holy spirit hinn benny free download borrow and streaming internet archive

good morning holy spirit benny hinn google books - Feb 13 2023

apr 23 1997 in this revised and expanded edition of good morning holy spirit benny hinn shares the insights and the truths that god has taught him through the years good morning holy spirit provides

good morning holy spirit by benny hinn waterstones - Apr 03 2022

feb 5 2004 synopsis 20th anniversary of this classic with more than one million copies sold revised and updated with bonus study guide included one cold winter night in toronto the holy spirit entered benny hinn s life in such a dramatic way that he

was changed forever the same thing can happen to you

good morning holy spirit by benny hinn open library - Oct 29 2021

sep 29 2021 good morning holy spirit by benny hinn 5 00 1 rating 27 want to read 2 currently reading 0 have read this edition doesn't have a description yet can you

power of the holy spirit benny hinn ministries - Dec 31 2021

home good morning holy spirit power of the holy spirit today's key scripture all references nkjv unless otherwise noted and when they had prayed the place where they were assembled together was shaken and they were all filled with the holy spirit and they spoke the word of god with boldness acts 4:31

good morning holy spirit benny hinn google books - Aug 07 2022

good morning holy spirit benny hinn google books

[good morning holy spirit by benny hinn ebook scribd](#) - Mar 02 2022

in this revised and expanded edition of good morning holy spirit benny hinn shares the insights and the truths that god has taught him through the years good morning holy spirit provides the principles needed to gain a better understanding of the godhead while you discover good morning holy spirit also is available in spanish buenos

good morning holy spirit by benny hinn audiobook audible com - Oct 09 2022

benny hinn's best selling good morning holy spirit introduced millions of christians to the holy spirit as a personal guide and friend now in the companion book welcome holy spirit hinn reveals the transforming energizing power of the holy spirit as he works in hinn's life and tells how you too can experience this tremendous power

good morning holy spirit by benny hinn goodreads - Nov 10 2022

feb 28 1990 the story of benny hinn's personal encounter with the holy spirit and how that experience dramatically changed his life is a story god has used hundreds of thousands of times around the world to touch the lives of others

good morning holy spirit by benny hinn archive org - Nov 29 2021

oct 31 2016 good morning holy spirit by benny hinn topics christian audio books benny hinn audio book good morning holy spirit by benny hinn addeddate 2016 10 31 06 03 17 external metadata update 2019 03 31t03 41 33z identifier

good morning holy spirit benny hinn 9780785261261 christianbook com - Apr 15 2023

good morning holy spirit learn to recognize the voice of the spirit by benny hinn thomas nelson 2004 paperback 4.5 out of 5 stars for good morning holy spirit learn to recognize the voice of the spirit 26 reviews write a review buy 36 or more for 14.24 each in stock stock no ww61265

good morning holy spirit benny hinn pdf document - Sep 20 2023

may 27 2015 good morning holy spirit benny hinn of 205 upload redimido por cristo post on 27 may 2015 2 666 views

category spiritual 432 download tags holy spirit benny hinn holy spirit welcome good morning chris hinn sammy hinn spiritual life publication data hinn misty toronto morning embed size px

books by benny hinn author of good morning holy spirit goodreads - Feb 01 2022

clear rating 1 of 5 stars 2 of 5 stars 3 of 5 stars 4 of 5 stars 5 of 5 stars welcome holy spirit how you can experience the dynamic work of the holy spirit in your life by benny hinn 4 32 avg rating 760 ratings published 1994 23 editions want to read [good morning holy spirit kindle edition by hinn benny](#) - Jul 06 2022

apr 23 1997 audiobook 0 00 free with your audible trial 20th anniversary of this classic with more than one million copies sold revised and updated with bonus study guide included one cold winter night in toronto the holy spirit entered benny hinn s life in such a dramatic way that he was changed forever the same thing can happen to you

[good morning holy spirit wikipedia](#) - Jun 17 2023

good morning holy spirit is a best selling book by benny hinn the book is about benny hinn s childhood and how an encounter with the holy spirit changed his life summary the book describes the following facts about hinn s childhood hinn was born israel

god s voice the holy spirit benny hinn ministries - Jun 05 2022

a prayer for today lord help me to be aware of your voice in everything i do today no matter what trials or victories i experience help me to know that you are always near and aware of what is going on around me help me to run my race today with endurance knowing that your voice will be with me every step of the way

[good morning holy spirit learn to recognize the voice of the spirit](#) - Dec 11 2022

mar 2 2004 one cold winter night in toronto the holy spirit entered benny hinn s life in such a dramatic way that he was changed forever the same thing can happen to you join the millions of others who have read good morning holy spirit and discover if you are ready to meet the holy spirit intimately and personally willing to listen to his voice and

[good morning holy spirit hinn benny free download](#) - May 16 2023

good morning holy spirit by hinn benny publication date 1990 topics hinn benny pentecostal churches evangelists holy spirit publisher nashville t nelson publishers

[good morning holy spirit archives benny hinn ministries](#) - Sep 08 2022

our need for the holy spirit s intercession benny hinn ministries 2023 09 20t11 24 07 05 00 categories good morning holy spirit

good morning holy spirit hinn benny free download borrow - May 04 2022

good morning holy spirit hinn benny free download borrow and streaming internet archive

[good morning holy spirit amazon com](#) - Mar 14 2023

10 1799 give as gift see clubs not in a club learn more good morning holy spirit audible audiobook unabridged benny hinn author william crockett narrator 1 more 4 9 4 119 ratings see all formats and editions this is the 20th anniversary edition of this spiritual classic with more than one million physical book copies sold

[good morning holy spirit benny hinn ministries](#) - Aug 19 2023

oct 16 2023 good day holy spirit daily devotional has been painstakingly created from works of the good morning holy spirit book by pastor benny hinn sign up today to start receiving these daily inspirational devotions

good morning holy spirit learn to recognize the voice of the spirit - Jul 18 2023

mar 2 2004 in this revised and expanded edition of good morning holy spirit benny hinn shares the insights and the truths that god has taught him through the years good morning holy spirit provides the principles needed to gain a