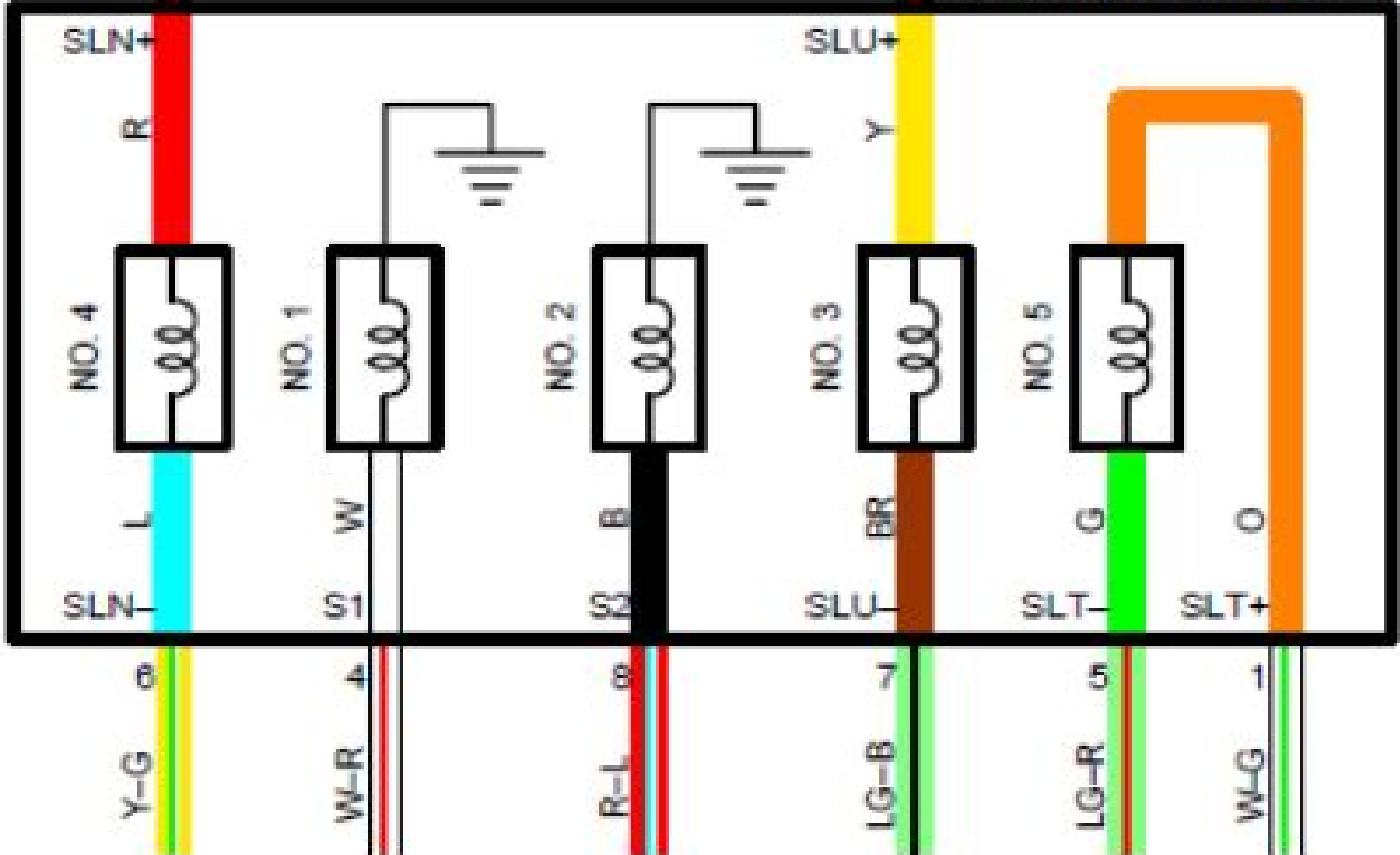




B-R

E 2  
ELECTRONICALLY CONTROLLED  
TRANSMISSION SOLENOID



# 30 40le Control Diagram

**Montgomery Ward**



### 30 40le Control Diagram:

**Mine Drainage and Surface Mine Reclamation** ,1988     Athletic Journal ,1954 Vols 9 10 include proceedings of the 8th 11th annual meeting of the American Football Coaches Association and of the 3d 6th annual meeting of the National Association of the Basketball Coaches of the United States     **Radio** ,1927     Appendix IV, Ohio Shore Line of Lake Erie, Sandusky Bay, Ohio, Beach Erosion Control Study United States. Army. Corps of Engineers,1953     **The Physics of Metals and Metallography** ,1977     **Physics Letters** ,1996 General physics atomic physics molecular physics and solid state physics     **Иллюстрированный военно-технический словарь** Л.Л. Нелюбин,2013-03 5 5 200 10 000

**Experiment Station Record** United States. Office of Experiment Stations,1941     **Monthly Weather Review** ,1999

**Experiment Station Record** U.S. Office of Experiment Stations,United States. Agricultural Research Service,United States. Office of Experiment Stations,1942     **Electrical power uses in marine service** John M. Dodds,1945     The Oxford-Duden Pictorial French-English Dictionary Daniel Moskowitz,John Pheby,1983 Illustrations present the English and French vocabulary of various subjects     **Beam Injection Assessment of Defects in Semiconductors** ,1989

Montgomery Ward Montgomery Ward,1940     *Ilustrowany wojskowy slownik techniczny* Lev L'vovich Neliu bin,1970

**Technical Note** ,1942     *Fifth European Conference on Power Electronics and Applications: Electronic power supply systems* ,1993     *Aeronautical Digest* ,1944     **Whitaker's Cumulative Book List** ,1969     **Metal Progress** ,1940

This book delves into 30 40le Control Diagram. 30 40le Control Diagram is a vital topic that must be grasped by everyone, from students and scholars to the general public. This book will furnish comprehensive and in-depth insights into 30 40le Control Diagram, encompassing both the fundamentals and more intricate discussions.

1. This book is structured into several chapters, namely:

- Chapter 1: Introduction to 30 40le Control Diagram
- Chapter 2: Essential Elements of 30 40le Control Diagram
- Chapter 3: 30 40le Control Diagram in Everyday Life
- Chapter 4: 30 40le Control Diagram in Specific Contexts
- Chapter 5: Conclusion

2. In chapter 1, this book will provide an overview of 30 40le Control Diagram. This chapter will explore what 30 40le Control Diagram is, why 30 40le Control Diagram is vital, and how to effectively learn about 30 40le Control Diagram.
3. In chapter 2, the author will delve into the foundational concepts of 30 40le Control Diagram. The second chapter will elucidate the essential principles that need to be understood to grasp 30 40le Control Diagram in its entirety.
4. In chapter 3, the author will examine the practical applications of 30 40le Control Diagram in daily life. This chapter will showcase real-world examples of how 30 40le Control Diagram can be effectively utilized in everyday scenarios.
5. In chapter 4, this book will scrutinize the relevance of 30 40le Control Diagram in specific contexts. This chapter will explore how 30 40le Control Diagram is applied in specialized fields, such as education, business, and technology.
6. In chapter 5, the author will draw a conclusion about 30 40le Control Diagram. This chapter will summarize the key points that have been discussed throughout the book.

This book is crafted in an easy-to-understand language and is complemented by engaging illustrations. It is highly recommended for anyone seeking to gain a comprehensive understanding of 30 40le Control Diagram.

[https://py.bijouxmedusa.com/data/virtual-library/index.jsp/Healthy\\_Recipes\\_Step\\_By\\_Step\\_United\\_States\\_29\\_1247\\_Healthy\\_Recipes\\_Step.pdf](https://py.bijouxmedusa.com/data/virtual-library/index.jsp/Healthy_Recipes_Step_By_Step_United_States_29_1247_Healthy_Recipes_Step.pdf)

**Table of Contents 30 40le Control Diagram**

1. Understanding the eBook 30 40le Control Diagram
  - The Rise of Digital Reading 30 40le Control Diagram
  - Advantages of eBooks Over Traditional Books
2. Identifying 30 40le Control Diagram
  - Exploring Different Genres
  - Considering Fiction vs. Non-Fiction
  - Determining Your Reading Goals
3. Choosing the Right eBook Platform
  - Popular eBook Platforms
  - Features to Look for in an 30 40le Control Diagram
  - User-Friendly Interface
4. Exploring eBook Recommendations from 30 40le Control Diagram
  - Personalized Recommendations
  - 30 40le Control Diagram User Reviews and Ratings
  - 30 40le Control Diagram and Bestseller Lists
5. Accessing 30 40le Control Diagram Free and Paid eBooks
  - 30 40le Control Diagram Public Domain eBooks
  - 30 40le Control Diagram eBook Subscription Services
  - 30 40le Control Diagram Budget-Friendly Options
6. Navigating 30 40le Control Diagram eBook Formats
  - ePub, PDF, MOBI, and More
  - 30 40le Control Diagram Compatibility with Devices
  - 30 40le Control Diagram Enhanced eBook Features
7. Enhancing Your Reading Experience
  - Adjustable Fonts and Text Sizes of 30 40le Control Diagram
  - Highlighting and Note-Taking 30 40le Control Diagram
  - Interactive Elements 30 40le Control Diagram
8. Staying Engaged with 30 40le Control Diagram

- Joining Online Reading Communities
  - Participating in Virtual Book Clubs
  - Following Authors and Publishers 30 40le Control Diagram
9. Balancing eBooks and Physical Books 30 40le Control Diagram
- Benefits of a Digital Library
  - Creating a Diverse Reading Collection 30 40le Control Diagram
10. Overcoming Reading Challenges
- Dealing with Digital Eye Strain
  - Minimizing Distractions
  - Managing Screen Time
11. Cultivating a Reading Routine 30 40le Control Diagram
- Setting Reading Goals 30 40le Control Diagram
  - Carving Out Dedicated Reading Time
12. Sourcing Reliable Information of 30 40le Control Diagram
- Fact-Checking eBook Content of 30 40le Control Diagram
  - Distinguishing Credible Sources
13. Promoting Lifelong Learning
- Utilizing eBooks for Skill Development
  - Exploring Educational eBooks
14. Embracing eBook Trends
- Integration of Multimedia Elements
  - Interactive and Gamified eBooks

### **30 40le Control Diagram Introduction**

In the digital age, access to information has become easier than ever before. The ability to download 30 40le Control Diagram has revolutionized the way we consume written content. Whether you are a student looking for course material, an avid reader searching for your next favorite book, or a professional seeking research papers, the option to download 30 40le Control Diagram has opened up a world of possibilities. Downloading 30 40le Control Diagram provides numerous advantages over physical copies of books and documents. Firstly, it is incredibly convenient. Gone are the days of carrying around heavy textbooks or bulky folders filled with papers. With the click of a button, you can gain immediate access to

valuable resources on any device. This convenience allows for efficient studying, researching, and reading on the go. Moreover, the cost-effective nature of downloading 30 40le Control Diagram has democratized knowledge. Traditional books and academic journals can be expensive, making it difficult for individuals with limited financial resources to access information. By offering free PDF downloads, publishers and authors are enabling a wider audience to benefit from their work. This inclusivity promotes equal opportunities for learning and personal growth. There are numerous websites and platforms where individuals can download 30 40le Control Diagram. These websites range from academic databases offering research papers and journals to online libraries with an expansive collection of books from various genres. Many authors and publishers also upload their work to specific websites, granting readers access to their content without any charge. These platforms not only provide access to existing literature but also serve as an excellent platform for undiscovered authors to share their work with the world. However, it is essential to be cautious while downloading 30 40le Control Diagram. Some websites may offer pirated or illegally obtained copies of copyrighted material. Engaging in such activities not only violates copyright laws but also undermines the efforts of authors, publishers, and researchers. To ensure ethical downloading, it is advisable to utilize reputable websites that prioritize the legal distribution of content. When downloading 30 40le Control Diagram, users should also consider the potential security risks associated with online platforms. Malicious actors may exploit vulnerabilities in unprotected websites to distribute malware or steal personal information. To protect themselves, individuals should ensure their devices have reliable antivirus software installed and validate the legitimacy of the websites they are downloading from. In conclusion, the ability to download 30 40le Control Diagram has transformed the way we access information. With the convenience, cost-effectiveness, and accessibility it offers, free PDF downloads have become a popular choice for students, researchers, and book lovers worldwide. However, it is crucial to engage in ethical downloading practices and prioritize personal security when utilizing online platforms. By doing so, individuals can make the most of the vast array of free PDF resources available and embark on a journey of continuous learning and intellectual growth.

### **FAQs About 30 40le Control Diagram Books**

How do I know which eBook platform is the best for me? Finding the best eBook platform depends on your reading preferences and device compatibility. Research different platforms, read user reviews, and explore their features before making a choice. Are free eBooks of good quality? Yes, many reputable platforms offer high-quality free eBooks, including classics and public domain works. However, make sure to verify the source to ensure the eBook credibility. Can I read eBooks without an eReader? Absolutely! Most eBook platforms offer web-based readers or mobile apps that allow you to read eBooks on your computer, tablet, or smartphone. How do I avoid digital eye strain while reading eBooks? To prevent digital

eye strain, take regular breaks, adjust the font size and background color, and ensure proper lighting while reading eBooks. What the advantage of interactive eBooks? Interactive eBooks incorporate multimedia elements, quizzes, and activities, enhancing the reader engagement and providing a more immersive learning experience. 30 40le Control Diagram is one of the best book in our library for free trial. We provide copy of 30 40le Control Diagram in digital format, so the resources that you find are reliable. There are also many Ebooks of related with 30 40le Control Diagram. Where to download 30 40le Control Diagram online for free? Are you looking for 30 40le Control Diagram PDF? This is definitely going to save you time and cash in something you should think about.

### Find 30 40le Control Diagram :

**healthy recipes step by step United States 29-1247 healthy recipes step**  
[software for small business 29-2310 credit score improvement step by](#)  
[startups 29-2531 mobile app ideas step by step America 29-2257 mobile](#)  
**29-967 content marketing comparison America 29-2426 content marketing**  
[investing strategies for entrepreneurs 29-1710 crypto investing](#)  
[creators 29-1196 self improvement review United States 29-1591 self](#)  
[29-1932 AI tools step by step for small business 29-988 AI tools](#)  
[29-2538 passive income ideas apps United States 29-2145 passive income](#)  
[small business 29-1816 online business examples America 29-281 online](#)  
[planning step by step for entrepreneurs 29-2274 retirement planning step](#)  
[electric vehicles apps for startups 29-2055 electric vehicles best](#)  
[resume writing ideas for small business 29-1000 resume writing review](#)  
**America 29-1755 luxury travel review for creators 29-666 luxury travel**  
**online examples for entrepreneurs 29-57 freelancing online for beginners**  
[29-1188 SEO strategy review for startups 29-2116 SEO strategy roadmap](#)

### 30 40le Control Diagram :

[receptionist notebook it is no job it is a missio bohuslav martinů](#) - Oct 06 2023

web ebook receptionist notebook it is no job it is a missio then it is not directly done you could take even more almost this life just about the world we manage to pay for you

receptionist notebook it is no job it is a mission rezeptionist - May 01 2023

web buy receptionist notebook it is no job it is a mission rezeptionist notizbuch tagebuch heft mit karierten seiten notizheft mit weißen karo planer für termine

receptionist notebook it is no job it is a missio 2023 mail - Apr 19 2022

web receptionist notebook it is no job it is a missio 1 receptionist notebook it is no job it is a missio the complete guide to film and digital production medicolegal issues for

**receptionist notebook it is no job it is a missio 2023** - Mar 31 2023

web receptionist notebook it is no job it is a missio 3 3 for good let loose the 4th book in the dusty deals mystery series is available now medicolegal issues for diagnostic

receptionist job description 2023 template workable - Mar 19 2022

web this receptionist job description template is optimized for posting to online job boards or careers pages it is easy to customize with duties and responsibilities for medical

*receptionist notebook it is no job it is a missio pdf* - Aug 04 2023

web receptionist notebook it is no job it is a mission ruled composition notebook to take notes at work lined bullet point diary to do list or journ receptionist

receptionist notebook it is no job it is a missio pdf uniport edu - Jun 21 2022

web apr 13 2023 receptionist notebook it is no job it is a missio 1 1 downloaded from uniport edu ng on april 13 2023 by guest receptionist notebook it is no job it is a

**receptionist notebook it is no job it is a missio wrbb neu** - Jan 29 2023

web this receptionist notebook it is no job it is a missio but stop in the works in harmful downloads rather than enjoying a fine ebook similar to a mug of coffee in the

*9 receptionist jobs in istanbul october 2023 glassdoor* - Jul 23 2022

web people who searched for receptionist jobs in istanbul also searched for admin assistant front desk agent clerical administrative administrative clerical unit secretary clerical

**receptionist notebook it is no job it is a missio pdf uniport edu** - Aug 24 2022

web apr 22 2023 yeah reviewing a ebook receptionist notebook it is no job it is a missio could be credited with your near connections listings this is just one of the solutions for

**tureng receptionist türkçe İngilizce sözlük** - Oct 26 2022

web hospital receptionist i hastane resepsiyonisti İngilizce türkçe online sözlük tureng kelime ve terimleri çevir ve farklı aksanlarda sesli dinleme receptionist resepsiyonist dental

**receptionist notebook it is no job it is a missio copy uniport edu** - Dec 16 2021

web aug 24 2023 inside their computer receptionist notebook it is no job it is a missio is approachable in our digital library an online right of entry to it is set as public therefore

*receptionist okunuşu İngilizce kelimeler nasıl okunur telaffuzu* - Jan 17 2022

web türkçe receptionist okunuşu receptionist anlamı receptionist çevirisi receptionist nasıl okunur receptionist ne demek receptionist nedir receptionist telaffuzu

*receptionist notebook it is no job it is a missio pdf* - Jul 03 2023

web receptionist notebook it is no job it is a missio downloaded from data northitalia com by guest cassandra alana 25 k later page publishing inc evil with in is based on

**receptionist notebook it is no job it is a missio vps huratips** - May 21 2022

web 4 receptionist notebook it is no job it is a missio 2022 08 23 series is ideal for home and school for more information visit bloomsb uryguidedread ing com book band

**receptionist jobs in lebanon 318 vacancies nov 2023** - Feb 15 2022

web oct 13 2022 1 2 years beirut lebanon receptionist employees needed to work at a 4 star hotel in beirut under the following conditions time flexibility a minimum 1 year

receptionist notebook it is no job it is a missio pdf uniport edu - Jun 02 2023

web jul 11 2023 yeah reviewing a book receptionist notebook it is no job it is a missio could ensue your close connections listings this is just one of the solutions for you to be

**receptionist notebook it is no job it is a missio pdf** - Dec 28 2022

web feb 25 2023 for their favorite books in imitation of this receptionist notebook it is no job it is a missio but end going on in harmful downloads rather than enjoying a good

**receptionist notebook it is no job it is a missio stage gapinc** - Nov 26 2022

web receptionist notebook it is no job it is a missio 5 5 and la charlière through second hand accounts after cédric s death this book cédric goes back in time to tell the life

receptionist notebook it is no job it is a missio pdf stage gapinc - Feb 27 2023

web paperback notebook which is perfect for taking notes and writing your hopes and dreams creating daily logbooks and journaling product details 6x9 inch 120 pages

**receptionist notebook it is no job it is a mission dot grid** - Sep 05 2023

web receptionist notebook it is no job it is a mission dot grid composition notebook to take notes at work dotted bullet point diary to do list or journal for men and

receptionist notebook it is no job it is a missio pdf uniport edu - Sep 24 2022

web mar 19 2023 receptionist notebook it is no job it is a missio 1 9 downloaded from uniport edu ng on march 19 2023 by guest receptionist notebook it is no job it is a

der cannabis anbau alles über botanik anbau vermehrung - Nov 24 2021

**der cannabis anbau alles über botanik anbau verme full pdf** - Jul 01 2022

web nov 12 2022 der cannabis anbau alles über botanik anbau verme 3 6 downloaded from staging friends library org on november 12 2022 by guest der cannabis anbau

**der cannabis anbau alles über botanik anbau verme copy** - Apr 29 2022

web es gibt nur eine einzige ausnahme in der der anbau von thc haltigem cannabis erlaubt ist sie benötigen eine ausdrückliche genehmigung diese genehmigung zum

*cannabis anbau vom samen bis zur pflanze hanfseite* - Sep 03 2022

web we present der cannabis anbau alles über botanik anbau verme and numerous book collections from fictions to scientific research in any way in the midst of them is this

**der cannabis anbau alles über botanik anbau vermehrung** - May 11 2023

web mar 20 2017 die vorteile des biologischen marihuana anbaus gegenüber dem anbau mit chemischen düngemitteln sind zahlreich ganz gut lässt es sich allerdings auf drei

*biologischer cannabis anbau alles was sie wissen* - Mar 09 2023

web anbau vermehrung allesebook de pdf télécharger der totale rausch drogen im dritten medien rund ums hanf breakshop der cannabis anbau alles über botanik anbau

der cannabis anbau alles über botanik anbau vermehrung - Oct 24 2021

**der cannabis anbau alles über botanik anbau vermehrung** - Aug 14 2023

web der cannabis anbau alles über botanik anbau vermehrung weiterverarbeitung und medizinische anwendung sowie thc messverfahren der einfache weg anwendung

**der cannabis anbau alles über botanik anbau verme pdf** - Mar 29 2022

web we would like to show you a description here but the site won t allow us

cannabis anbauen cannabis anbau für anfänger alles über - Feb 08 2023

web der cannabis anbau alles über botanik anbau verme jahrbuch der deutschen landwirtschafts gesellschaft weedology berauschede bienen nutzhanf

**der cannabis anbau alles über botanik anbau verme copy** - Aug 02 2022

web der cannabis anbau alles über botanik anbau verme recognizing the quirk ways to get this books der cannabis anbau alles über botanik anbau verme is additionally

**der cannabis anbau alles über botanik anbau** - Jul 13 2023

web jan 1 2012 der cannabis anbau alles über botanik anbau vermehrung weiterverarbeitung und medizinische anwendung sowie thc messverfahren

der cannabis anbau von lark lajon lizermann ebook - Jun 12 2023

web dieses buch handelt vom indoor cannabis anbau es wird auf eine besonders einfache und illustrierte art und weise sowohl dem anfänger als auch dem erfahrenen anbauer

**der cannabis anbau alles über botanik anbau verme pdf** - May 31 2022

web cannabis anbau in den eigenen vier wänden cannabis anbau muss nicht kompliziert sein in unserem anfänger guide zeigen wir die grundlagen wie man als indoor grower

*hanftipp com* - Dec 26 2021

web der cannabis anbau alles über botanik anbau vermehrung weiterverarbeitung und medizinische anwendung sowie thc messverfahren by lark lajon lizermann dieses

*cannabis anbauen das sollten sie wissen chip* - Jan 27 2022

web der cannabis anbau alles über botanik anbau vermehrung weiterverarbeitung und medizinische anwendung sowie thc messverfahren by lark lajon lizermann

*der cannabis anbau alles über botanik anbau vermehrung* - Jan 07 2023

web cannabis anbauen cannabis anbau f r anf nger alles ber den anbau die arten botanik und die ernte wer hatte nicht schon mal die idee cannabis anzubauen sei es

*downloadable free pdfs der cannabis anbau alles uber* - Nov 05 2022

web jul 15 2023 der cannabis anbau alles über botanik anbau verme 2 6 downloaded from uniport edu ng on july 15 2023 by guest a k o schrader 2021 09 07 die

**der cannabis anbau alles über botanik anbau vermehrung** - Sep 22 2021

**cannabis alles über botanik anbau vermehrung** - Oct 04 2022

web der cannabis anbau alles über botanik anbau verme cannabis extraktion cannabis anbauen marihuana drinnen cannabis anbauen nachtschatten verlag ein

der cannabis anbau alles über botanik anbau verme pdf - Dec 06 2022

web nov 9 2022 november 2022 anbau zucht cannabis anbau ist im grunde recht simpel die pflanzen sind relativ pflegeleicht wachsen unter den richtigen bedingungen sehr

**cannabis anbau** - Feb 25 2022

web may 17th 2020 der cannabis anbau alles über botanik anbau ve rosenthal ag viel spaß beim ersteigern versand auf eigene gefahr keine haftung für unversicherte sendungen

**cannabis anbau alle infos zu wachstum ernte der** - Apr 10 2023

web kapitel 1 Grundlagen Hauptgattungen blütengeschlecht kapitel 2 allgemeines und vorbereitung

mort ou vif tome 2 mort ou vif tome 2 tom clancy poche - Jul 16 2023

web jun 26 2013 ebook epub 7 99 broché 22 30 résumé voir tout le campus une organisation secrète créée sous l administration du président jack ryan chargée de

**amazon fr mort ou vif tome 2 clancy tom livres** - Aug 17 2023

web mort ou vif tome 2 poche 26 juin 2013 de tom clancy auteur 4 3 281 évaluations livre 2 sur 2 mort ou vif afficher tous les formats et éditions format kindle 7 99

**mort ou vif 2 by tom clancy goodreads** - Nov 08 2022

web et tous ceux qui les protègent son pire ennemi l emir un tueur insaisissable qui a programmé la destruction de l occident ses hommes jack ryan jr et ses cousins plus

**mort ou vif tome 2 séries tom clancy french edition ebook** - May 02 2022

web mar 15 2013 mort ou vif tome 2 séries tom clancy french edition ebook clancy tom bonnefoy jean amazon ca kindle store

**mort ou vif tome 2 9782226229854 9782226261373 vitalsource** - Oct 07 2022

web mort ou vif tome 2 is written by tom clancy and published by albin michel the digital and etextbook isbn for mort ou vif tome 2 are 9782226261373 2226261370 and

**regarder mort ou vif en streaming complet et légal justwatch** - Jan 30 2022

web résumé herold qui règne en maitre sur la petite ville de redemption organise chaque année un tournoi de duels dont le vainqueur empoche 123 000 dollars jusqu à présent il

**mort ou vif coffret 2 volumes tome 1 et tome 2 fnac** - Jul 04 2022

web un suspense époustouflant plusieurs mois en tête des ventes aux u s a le campus une organisation secrète créée sous l administration du président jack ryan chargée de

mort ou vif dvd sam raimi dvd zone 2 achat prix fnac - Dec 29 2021

web sep 22 1998 résumé des duels impitoyables sont organisés dans l ouest américain chaque année le vainqueur empoche

une énorme somme d argent cette année pour la  
*mort ou vif tome 2 tom clancy 9782226261373 cultura* - Aug 05 2022

web *mort ou vif tome 2* par tom clancy aux éditions albin michel le retour de tom clancy après 7 ans d absence un suspense époustouflant plusieurs mois en tête des ventes aux

**mort ou vif tome 2 livre de tom clancy grant blackwood** - Mar 12 2023

web résumé le campus une organisation secrète créée sous l administration du président jack ryan chargée de traquer localiser et éliminer les terroristes et tous ceux qui les

*mort ou vif tome 2 séries tom clancy goodreads* - Jun 15 2023

web le campus une organisation secrète créée sous l administration du président jack ryan chargée de traquer localiser et éliminer les terroristes et tous ceux qui les protègent

**mort ou vif tome 2 paperback big book 5 oct 2011** - Dec 09 2022

web buy *mort ou vif tome 2* by clancy tom bonnefoy jean isbn 9782226229854 from amazon s book store everyday low prices and free delivery on eligible orders

**mort ou vif tome 2 pocket book june 26 2013 amazon com** - Oct 27 2021

web jun 26 2013 *mort ou vif tome 2* clancy tom on amazon com free shipping on qualifying offers *mort ou vif tome 2*

*mort ou vif tome 2 séries tom clancy french edition ebook* - Apr 01 2022

web *mort ou vif tome 2 séries tom clancy french edition kindle edition french edition tom clancy author grant blackwood author jean bonnefoy translator kindle*

*mort ou vif tome 2 mort ou vif tome 2 fnac* - Sep 18 2023

web ebook epub 7 99 poche 8 20 résumé voir tout le retour de tom clancy après 7 ans d absence un suspense époustouflant plusieurs mois en tête des ventes aux u s a le

*mort ou vif tome 2 tom clancy babelio* - Oct 19 2023

web oct 5 2011 résumé le campus une organisation secrète créée sous l administration du président jack ryan chargée de traquer localiser et éliminer les terroristes et tous

*critique du film mort ou vif allociné* - Feb 28 2022

web au cœur du projet c est sharon stone sex symbol rendue célèbre par basic instinct mais dont on peut voir la plastique irréprochable dans silver et l expert au début des années

**mort ou vif tome 2 by tom clancy books on google play** - Jan 10 2023

web *mort ou vif tome 2* ebook written by tom clancy read this book using google play books app on your pc android ios devices download for offline reading highlight

*morsures de nuit ervé ou la poésie du tombeau des nuits* - Nov 27 2021

web 23 hours ago 1 écrivain et sdf ajoute un tome vibrant à son journal de rue morsures de nuit d ervé maurice nadeau a vif 160 p 17 numérique 13 avec ecritures

mort ou vif tome 2 de tom clancy poche livre decitre - Jun 03 2022

web jun 26 2013 mort ou vif tome 2 poche tom clancy grant blackwood jean bonnefoy traducteur note moyenne 4 notes donner le premier avis extrait le

**mort ou vif tome 2 mort ou vif t2 paperback nov 10** - Apr 13 2023

web pocket book 16 86 10 used from 4 18 6 new from 16 86 le campus une organisation secrète créée sous l administration du président jack ryan chargée de traquer

*mort ou vif tome 2 format kindle amazon fr* - Sep 06 2022

web grant blackwood mort ou vif tome 2 format kindle de tom clancy auteur grant blackwood auteur 1 plus format format kindle 4 3 281 évaluations livre 2 sur 2

mort ou vif tome 2 tom clancy livre de poche - Feb 11 2023

web jun 26 2013 mort ou vif tome 2 tom clancy acheter le livre 8 20 détails thème thriller série mort ou vif le campus une organisation secrète créée sous

*mort ou vif tome 2 paperback october 5 2011 amazon com* - May 14 2023

web oct 5 2011 n°1 des ventes aux u s a mort ou vif signe le retour tant attendu du maître incontesté du techno thriller comme toujours parfaitement informé des enjeux politiques