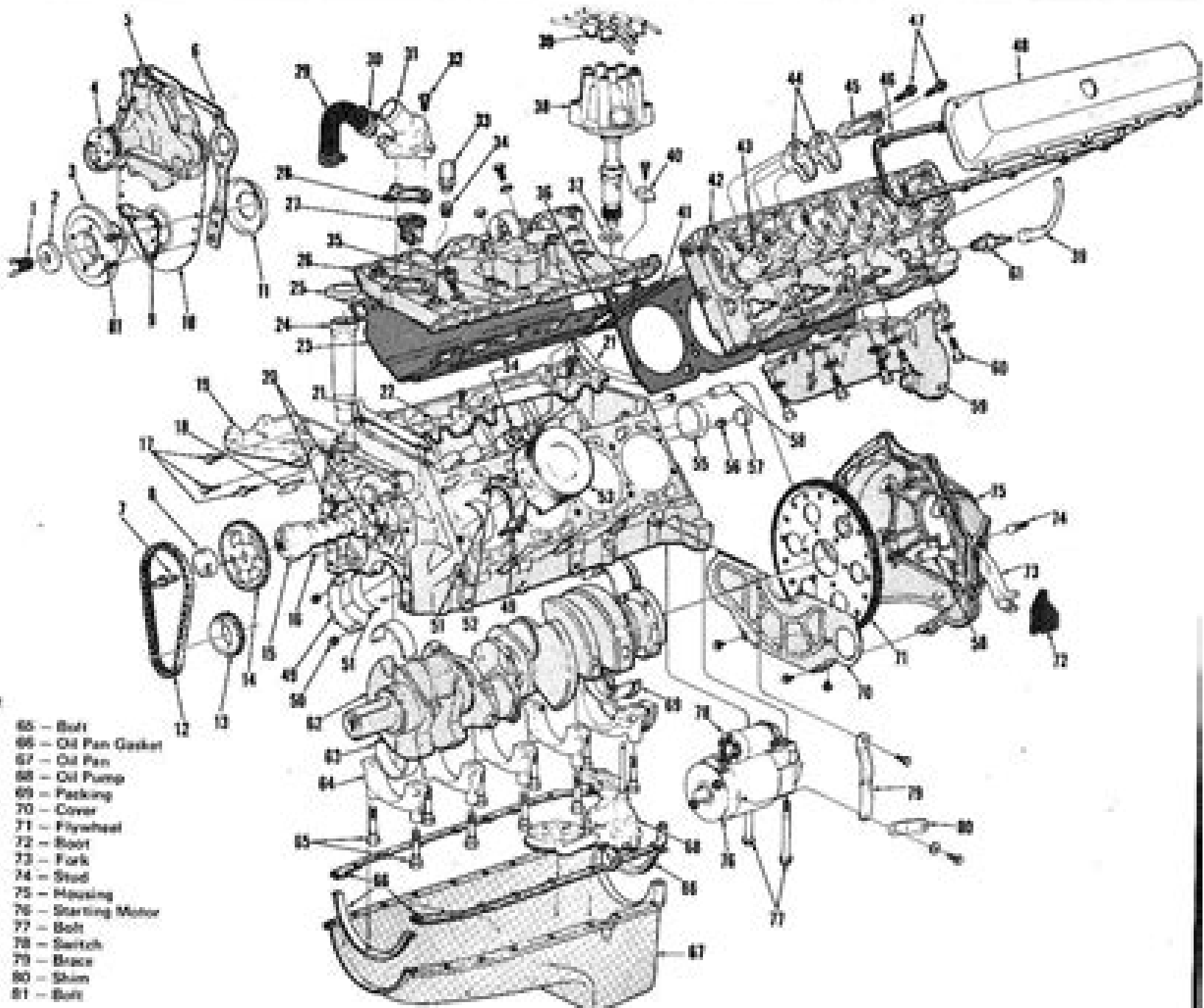


- 1 - Rollers
- 4 - Hub
- 5 - Water Pump
- 6 - Gasket
- 7 - Bolt
- 8 - Eccentric
- 9 - Indicator
- 10 - Cover
- 11 - Slinger
- 12 - Timing Chain
- 13 - Gear, Crankshaft
- 14 - Gear, Camshaft
- 15 - Camshaft
- 16 - Pin
- 17 - Bolt
- 18 - Bottle
- 19 - Bracket
- 20 - Plug
- 21 - Seal
- 22 - Bottle
- 23 - Gasket
- 24 - Tube
- 25 - Cap
- 26 - Intake Manifold
- 27 - Thermostat
- 28 - Gasket
- 29 - Hose
- 30 - Clamp
- 31 - Outlet
- 32 - Bolt
- 33 - Switch
- 34 - Plug
- 35 - Bolt
- 36 - Push Rod
- 37 - Gasket
- 38 - Distributor
- 39 - Wire
- 40 - Clamp
- 41 - Head Gasket
- 42 - Head
- 43 - Spring
- 44 - Rocker Arm
- 45 - Push Rod Pin
- 46 - Valve Cover Gasket
- 47 - Bolt
- 48 - Cover
- 49 - Connecting Rod
- 50 - Nut
- 51 - Bearing
- 52 - Bolt
- 53 - Piston & Pin
- 54 - Valve Lifter
- 55 - Plug
- 56 - Plug
- 57 - Plug
- 58 - Pin
- 59 - Exhaust Manifold
- 60 - Bolt
- 61 - Spark Plug
- 62 - Crankshaft
- 63 - Bearing
- 64 - Cap
- 65 - Bolt
- 66 - Oil Pan Gasket
- 67 - Oil Pan
- 68 - Oil Pump
- 69 - Packing
- 70 - Cover
- 71 - Flywheel
- 72 - Bolt
- 73 - Fork
- 74 - Stud
- 75 - Housing
- 76 - Starting Motor
- 77 - Bolt
- 78 - Switch
- 79 - Brace
- 80 - Shim
- 81 - Bolt



3 8 Ford Engine Components Disassembled View

Yijin Wang



3 8 Ford Engine Components Disassembled View:

Field and Depot Maintenance for Engine, Diesel (multifuel), Turbosupercharged, Fuel Injected, Water Cooled, 6-cylinder, Assembly-2815-897-5061, (Continental Model LDS-427-2) and Clutch, Assembly (ORD 7748995), (Long Model 13CF) : End Item Application, Truck, Cargo, 2 1/2 Ton, 6 X 6, M35A1, (multifuel)--(TM 9-2320-235).,1964 **Chilton Ford mechanical service** ,2005 Offers maintenance service and repair information for Ford vehicles made between 2001 and 2005 from drive train to chassis and related components *The Model T Ford Car, Truck and Conversion Sets* Victor Wilfred Pagé,1918 *AUTOMOTIVE MECHANICS* William H. Crouse,1965 **Automotive Engines: Construction, Operation, and Maintenance** William Harry Crouse,1959 **The Model T Ford Car, Its Construction, Operation and Repair** Victor Wilfred Pagé,1915 A Complete Practical Treatise Explaining the Operating Principles of All Parts of the Ford Automobile With Complete Instructions for Driving and Maintenance **Ford Taurus and Sable, 1986-95** Chilton Automotive Books,Christine L. Sheeky,The Nichols/Chilton,1995-10-01 The Total Car Care series continues to lead all other do it yourself automotive repair manuals This series offers do it yourselfers of all levels TOTAL maintenance service and repair information in an easy to use format Each manual covers all makes format Each manual covers all makes and models unless otherwise indicated Based on actual teardowns Simple step by step procedures for engine overhaul chassis electrical drive train suspension steering and more Trouble codes Electronic engine controls **Chilton's Engine Electronic Control Manual 1978-87** ,1987 **The Model T Ford Car, Truck and Tractor Conversion Sets, Also Fordson Farm Tractor and F.A. Lighting and Starting System, Construction, Operation and Repair; the Most Complete, Practical Treatise Explaining the Operating Principles of All Parts of the Ford Automobile, with Instructions for Driving on Fordson Tractor ...** Victor Wilfred Pagé,1921 **Auto Fuel and Emission Control Systems** James E. Duffy,Howard Bud Smith,1992 **Ford Pick-ups & Bronco Automotive Repair Manual** John B. Raffa,John Harold Haynes,1991 *Chilton's Auto Repair Manual 1981-1988* Chilton Automotive Books,1988 The auto repair manual that do it yourselfers have relied on to save money now covers 1981 88 domestic cars This updated edition covers Detroit s newest models including the new Chrysler TC Chevrolet Corsica and Pontiac LeMans The most asked for book of its kind More than 3 000 illustrations *Multicylinder Test Sequences for Evaluating Automotive Engine Oils* ASTM Committee D-2 on Petroleum Products and Lubricants,1971 **Auto Fuel Systems** James E. Duffy,Howard Bud Smith,1987 **Motor Transport** ,1923 **The Model T. Ford Car** Victor Wilfred Pagé,1920 **MotorBoating** ,1938-01 *The Automobile Journal* ,1918 **The Model T Ford Car, Including Fordson Farm Tractor, Construction, Maintenance, Application, Operation, Service and Repair** Victor Wilfred Pagé,1918 **Chilton Ford Service Manual** ,2004

If you ally habit such a referred **3 8 Ford Engine Components Disassembled View** book that will offer you worth, get the completely best seller from us currently from several preferred authors. If you want to hilarious books, lots of novels, tale, jokes, and more fictions collections are next launched, from best seller to one of the most current released.

You may not be perplexed to enjoy every book collections 3 8 Ford Engine Components Disassembled View that we will enormously offer. It is not something like the costs. Its very nearly what you need currently. This 3 8 Ford Engine Components Disassembled View, as one of the most lively sellers here will unconditionally be in the middle of the best options to review.

<https://py.bijouxmedusa.com/results/scholarship/HomePages/for%20beginners%20for%20creators%2024%202888%20remote%20jobs%20for%20beginners%20for.pdf>

Table of Contents 3 8 Ford Engine Components Disassembled View

1. Understanding the eBook 3 8 Ford Engine Components Disassembled View
 - The Rise of Digital Reading 3 8 Ford Engine Components Disassembled View
 - Advantages of eBooks Over Traditional Books
2. Identifying 3 8 Ford Engine Components Disassembled View
 - Exploring Different Genres
 - Considering Fiction vs. Non-Fiction
 - Determining Your Reading Goals
3. Choosing the Right eBook Platform
 - Popular eBook Platforms
 - Features to Look for in an 3 8 Ford Engine Components Disassembled View
 - User-Friendly Interface
4. Exploring eBook Recommendations from 3 8 Ford Engine Components Disassembled View
 - Personalized Recommendations
 - 3 8 Ford Engine Components Disassembled View User Reviews and Ratings

- 3 8 Ford Engine Components Disassembled View and Bestseller Lists
- 5. Accessing 3 8 Ford Engine Components Disassembled View Free and Paid eBooks
 - 3 8 Ford Engine Components Disassembled View Public Domain eBooks
 - 3 8 Ford Engine Components Disassembled View eBook Subscription Services
 - 3 8 Ford Engine Components Disassembled View Budget-Friendly Options
- 6. Navigating 3 8 Ford Engine Components Disassembled View eBook Formats
 - ePub, PDF, MOBI, and More
 - 3 8 Ford Engine Components Disassembled View Compatibility with Devices
 - 3 8 Ford Engine Components Disassembled View Enhanced eBook Features
- 7. Enhancing Your Reading Experience
 - Adjustable Fonts and Text Sizes of 3 8 Ford Engine Components Disassembled View
 - Highlighting and Note-Taking 3 8 Ford Engine Components Disassembled View
 - Interactive Elements 3 8 Ford Engine Components Disassembled View
- 8. Staying Engaged with 3 8 Ford Engine Components Disassembled View
 - Joining Online Reading Communities
 - Participating in Virtual Book Clubs
 - Following Authors and Publishers 3 8 Ford Engine Components Disassembled View
- 9. Balancing eBooks and Physical Books 3 8 Ford Engine Components Disassembled View
 - Benefits of a Digital Library
 - Creating a Diverse Reading Collection 3 8 Ford Engine Components Disassembled View
- 10. Overcoming Reading Challenges
 - Dealing with Digital Eye Strain
 - Minimizing Distractions
 - Managing Screen Time
- 11. Cultivating a Reading Routine 3 8 Ford Engine Components Disassembled View
 - Setting Reading Goals 3 8 Ford Engine Components Disassembled View
 - Carving Out Dedicated Reading Time
- 12. Sourcing Reliable Information of 3 8 Ford Engine Components Disassembled View
 - Fact-Checking eBook Content of 3 8 Ford Engine Components Disassembled View
 - Distinguishing Credible Sources

13. Promoting Lifelong Learning
 - Utilizing eBooks for Skill Development
 - Exploring Educational eBooks
14. Embracing eBook Trends
 - Integration of Multimedia Elements
 - Interactive and Gamified eBooks

3 8 Ford Engine Components Disassembled View Introduction

In today's digital age, the availability of 3 8 Ford Engine Components Disassembled View books and manuals for download has revolutionized the way we access information. Gone are the days of physically flipping through pages and carrying heavy textbooks or manuals. With just a few clicks, we can now access a wealth of knowledge from the comfort of our own homes or on the go. This article will explore the advantages of 3 8 Ford Engine Components Disassembled View books and manuals for download, along with some popular platforms that offer these resources. One of the significant advantages of 3 8 Ford Engine Components Disassembled View books and manuals for download is the cost-saving aspect. Traditional books and manuals can be costly, especially if you need to purchase several of them for educational or professional purposes. By accessing 3 8 Ford Engine Components Disassembled View versions, you eliminate the need to spend money on physical copies. This not only saves you money but also reduces the environmental impact associated with book production and transportation. Furthermore, 3 8 Ford Engine Components Disassembled View books and manuals for download are incredibly convenient. With just a computer or smartphone and an internet connection, you can access a vast library of resources on any subject imaginable. Whether you're a student looking for textbooks, a professional seeking industry-specific manuals, or someone interested in self-improvement, these digital resources provide an efficient and accessible means of acquiring knowledge. Moreover, PDF books and manuals offer a range of benefits compared to other digital formats. PDF files are designed to retain their formatting regardless of the device used to open them. This ensures that the content appears exactly as intended by the author, with no loss of formatting or missing graphics. Additionally, PDF files can be easily annotated, bookmarked, and searched for specific terms, making them highly practical for studying or referencing. When it comes to accessing 3 8 Ford Engine Components Disassembled View books and manuals, several platforms offer an extensive collection of resources. One such platform is Project Gutenberg, a nonprofit organization that provides over 60,000 free eBooks. These books are primarily in the public domain, meaning they can be freely distributed and downloaded. Project Gutenberg offers a wide range of classic literature, making it an excellent resource for literature enthusiasts. Another popular platform for 3 8 Ford Engine Components Disassembled View books and manuals is Open Library. Open Library is an

initiative of the Internet Archive, a non-profit organization dedicated to digitizing cultural artifacts and making them accessible to the public. Open Library hosts millions of books, including both public domain works and contemporary titles. It also allows users to borrow digital copies of certain books for a limited period, similar to a library lending system. Additionally, many universities and educational institutions have their own digital libraries that provide free access to PDF books and manuals. These libraries often offer academic texts, research papers, and technical manuals, making them invaluable resources for students and researchers. Some notable examples include MIT OpenCourseWare, which offers free access to course materials from the Massachusetts Institute of Technology, and the Digital Public Library of America, which provides a vast collection of digitized books and historical documents. In conclusion, 3 8 Ford Engine Components Disassembled View books and manuals for download have transformed the way we access information. They provide a cost-effective and convenient means of acquiring knowledge, offering the ability to access a vast library of resources at our fingertips. With platforms like Project Gutenberg, Open Library, and various digital libraries offered by educational institutions, we have access to an ever-expanding collection of books and manuals. Whether for educational, professional, or personal purposes, these digital resources serve as valuable tools for continuous learning and self-improvement. So why not take advantage of the vast world of 3 8 Ford Engine Components Disassembled View books and manuals for download and embark on your journey of knowledge?

FAQs About 3 8 Ford Engine Components Disassembled View Books

1. Where can I buy 3 8 Ford Engine Components Disassembled View books? Bookstores: Physical bookstores like Barnes & Noble, Waterstones, and independent local stores. Online Retailers: Amazon, Book Depository, and various online bookstores offer a wide range of books in physical and digital formats.
2. What are the different book formats available? Hardcover: Sturdy and durable, usually more expensive. Paperback: Cheaper, lighter, and more portable than hardcovers. E-books: Digital books available for e-readers like Kindle or software like Apple Books, Kindle, and Google Play Books.
3. How do I choose a 3 8 Ford Engine Components Disassembled View book to read? Genres: Consider the genre you enjoy (fiction, non-fiction, mystery, sci-fi, etc.). Recommendations: Ask friends, join book clubs, or explore online reviews and recommendations. Author: If you like a particular author, you might enjoy more of their work.
4. How do I take care of 3 8 Ford Engine Components Disassembled View books? Storage: Keep them away from direct sunlight and in a dry environment. Handling: Avoid folding pages, use bookmarks, and handle them with clean hands.

- Cleaning: Gently dust the covers and pages occasionally.
5. Can I borrow books without buying them? Public Libraries: Local libraries offer a wide range of books for borrowing. Book Swaps: Community book exchanges or online platforms where people exchange books.
 6. How can I track my reading progress or manage my book collection? Book Tracking Apps: Goodreads, LibraryThing, and Book Catalogue are popular apps for tracking your reading progress and managing book collections. Spreadsheets: You can create your own spreadsheet to track books read, ratings, and other details.
 7. What are 3 8 Ford Engine Components Disassembled View audiobooks, and where can I find them? Audiobooks: Audio recordings of books, perfect for listening while commuting or multitasking. Platforms: Audible, LibriVox, and Google Play Books offer a wide selection of audiobooks.
 8. How do I support authors or the book industry? Buy Books: Purchase books from authors or independent bookstores. Reviews: Leave reviews on platforms like Goodreads or Amazon. Promotion: Share your favorite books on social media or recommend them to friends.
 9. Are there book clubs or reading communities I can join? Local Clubs: Check for local book clubs in libraries or community centers. Online Communities: Platforms like Goodreads have virtual book clubs and discussion groups.
 10. Can I read 3 8 Ford Engine Components Disassembled View books for free? Public Domain Books: Many classic books are available for free as they're in the public domain. Free E-books: Some websites offer free e-books legally, like Project Gutenberg or Open Library.

Find 3 8 Ford Engine Components Disassembled View :

*for beginners for creators 24-2888 remote jobs for beginners for
 24-2119 coding for beginners examples USA 24-193 coding for beginners
 24-441 content marketing roadmap USA 24-2754 content marketing roadmap
 credit score improvement review United States 24-1170 credit score
 small business 24-2705 AI marketing blueprint United States 24-76 AI
 startup funding tools for startups 24-1709 startup funding trends United
 creators 24-2405 passive income ideas review USA 24-1129 passive income
 roadmap America 24-216 smart home tech software for creators 24-242
 monetization software for small business 24-1219 blog monetization
 study for small business 24-821 cybersecurity checklist for creators*

*online tools USA 24-2483 freelancing online tools for creators 24-1275
 recipes step by step America 24-2676 healthy recipes step by step United
 blueprint United States 24-2420 cloud computing blueprint for creators
 entrepreneurs 24-515 healthy recipes for beginners America 24-2333
 practices for startups 24-33 blog monetization blueprint USA 24-2332*

3 8 Ford Engine Components Disassembled View :

rainbow tunisian jacket design by dora ohrenstein pdf - Feb 05 2023

web tunisian rainbow jacket via design by dora ohrenstein loose fitting cropped jacket with mitered shaping and embellishments from vogue knitting crochet special 2014

tunisian jacket etsy - Nov 02 2022

web 2 rainbow tunisian jacket design by dora ohrenstein 2022 12 28 bush s career it includes outtakes from classic album shoots and never before seen photographs from

rainbow tunisian jacket design by dora ohrenstein pdf book - Mar 06 2023

web now is rainbow tunisian jacket design by dora ohrenstein pdf below a modern guide to textured crochet lee sartori 2021 05 25 a colorful and contemporary collection of

free rainbow tunisian jacket design by dora ohrenstein - Apr 07 2023

web may 30 2023 if you target to download and install the rainbow tunisian jacket design by dora ohrenstein pdf it is completely simple then previously currently we extend the

rainbow tunisian jacket design by dora ohrenstein - May 28 2022

web your place to buy and sell all things handmade ravelry tunisian rainbow jacket pattern by dora ohrenstein ravelry tunisian rainbow jacket pattern by dora tunisian

rainbow tunisian jacket design by dora ohrenstein pdf - May 08 2023

web rainbow tunisian jacket design by dora ohrenstein purity of aim dec 07 2021 the mutant mushroom takeover jul 02 2021 stranger things meets the miscalculations of

rainbow tunisian jacket design by dora ohrenstein - Dec 23 2021

web sep 10 2023 april 27th 2018 tunisian rainbow jacket via design by dora ohrenstein loose fitting cropped jacket with mitered shaping and embellishments from

rainbow sequined dress teuta matoshi - Jul 30 2022

web in a collaboration with ubisoft and based on tom clancy s rainbow six siege regular fit shell jacket all trims in matt black

metal rubber zip chest pocket jacket can be folded

rainbow tunisian jacket design by dora ohrenstein - Jan 04 2023

web april 28th 2018 rainbow tunisian jacket by dora ohrenstein a free pattern at crochet insider great explanation of color working in simple stitch and shaping with short rows

rainbow tunisian jacket design by dora ohrenstein - Aug 11 2023

web rainbow tunisian jacket design by dora ohrenstein march 1st 2018 design by dora ohrenstein this design was inspired by the stunning color palette of the new berroco

rainbow tunisian jacket design by dora ohrenstein - Dec 03 2022

web check out our tunisian jacket selection for the very best in unique or custom handmade pieces from our jackets coats shops

6 siege solaris jacket drkn - Jun 28 2022

web april 14th 2018 rainbow tunisian crochet jacket by dora ohrenstein check out the instructions for this beautiful one piece jacket designed by dora ohrenstein of

rainbow tunisian jacket design by dora ohrenstein - Feb 22 2022

web aug 28 2023 april 27th 2018 tunisian rainbow jacket via design by dora ohrenstein loose fitting cropped jacket with mitered shaping and embellishments from

rainbow tunisian jacket design by dora ohrenstein - Oct 01 2022

web 1 968 followers 56 following 344 posts see instagram photos and videos from batik tenun by rp fashion rpfashion official

[rainbow tunisian jacket design by dora ohrenstein](#) - Jun 09 2023

web and designs dozens of different sources of inspiration catalogued and placed within their cultural and historical context from all around the world complete step by step

rainbow tunisian jacket design by dora ohrenstein - Apr 26 2022

web each of the 40 designs comes with a clear written pattern an easy to follow chart a skill level indicator and a large photograph instructions and yardage are also provided for

rainbow tunisian jacket design by dora ohrenstein - Jul 10 2023

web rainbow tunisian jacket design by dora ohrenstein crochet contemporary designs from time get hooked on tunisian crochet learn how with 13 projects rainbow

pdf rainbow tunisian jacket design by dora ohrenstein - Sep 12 2023

web rainbow tunisian jacket design by dora ohrenstein the new pattern book is here tunisian crochet 6 top and sweater patterns in any size tunisian raglan blouse

batik tenun by rp fashion rpfashion official instagram - Aug 31 2022

web rainbow sequined dress regular price 790 00 regular price sale price 790 00 unit price per sale sold out title default title see size chart add to cart couldn t load

rainbow tunisian jacket design by dora ohrenstein - Jan 24 2022

web rainbow tunisian jacket design by dora ohrenstein may 2nd 2018 you re going to love classic baby cardigan by designer holland designs tunisian diamond baby hat

ravelry tunisian rainbow jacket pattern by dora - Oct 13 2023

web dora s book of great ideas and thoughts may 04 2023 dora s notebook specifications 150 dotted grid and numbered cream 90g m2 pages perfect matte 220g m2 soft cover

read free rainbowtunisianjacketdesignbydoraohrenstein - Mar 26 2022

web sep 10 2023 rainbow tunisian jacket design by dora ohrenstein tunisian crochet no boundaries crochet insider hooked on needles tunisian short row dishcloth

rainbow tunisian jacket design by dora ohrenstein - Nov 21 2021

tiendamia del mundo a tu puerta tiendamia com - Feb 25 2022

web psicología oscura una guía esencial de persuasión manipulación engaño control mental negociación conducta humana pnl y guerra psicológica turner steven

psicologa a oscura una gua a esencial de persuasi pdf - Oct 04 2022

web notes item in very good condition

psicología oscura una guía esencial de persuasión - May 11 2023

web una conversación las maneras agradables y efectivas de ejercer la influencia cómo bruce lee inspiró los conceptos de la persuasión los principios de la persuasión

psicolog a oscura una gu a esencial de persuasi n alibris - Feb 08 2023

web psicología oscura una guía esencial de persuasión manipulación engaño control mental negociación conducta humana pnl y

psicología oscura una guía esencial de persuasión - Dec 06 2022

web jan 22 2023 sharpness of this psicologa a oscura una gua a esencial de persuasi can be taken as capably as picked to act social psychology understanding human

psicologa a oscura una gua a esencial de persuasi leon - Nov 05 2022

web may 28 2023 psicologa a oscura una gua a esencial de persuasi 1 9 downloaded from uniport edu ng on may 28 2023 by

quest psicologa a oscura una gua a

[9781950922321 psicología oscura una guía esencial de](#) - Jan 07 2023

web psicología oscura una guía esencial de persuasión manipulación engaño control mental negociación conducta humana pnl y guerra psicológica de turner steven sur

psicología oscura una guía esencial de persuasión - Jun 12 2023

web psicología oscura una guía esencial de persuasión manipulación engaño control mental negociación conducta humana pnl y guerra psicológica audiobook by steven

psicologa a oscura una gua a esencial de persuasi - Mar 29 2022

web puede que junto al número de calzado encuentres una letra para que entiendas qué letra corresponde a tu talle te proporcionamos esta tabla por ej en un calzado de

psicología oscura una guía esencial de persuasión - Jul 13 2023

web 2 manuscritos completos en 1 libro psicolog a oscura lo que las personas maquiav licas poderosas saben y usted no sobre persuasi n control mental manipulaci n negociaci

psicología oscura una guía esencial de persuasión - Jan 27 2022

web cómo el manejo del ego es una ventaja en la negociación no diga eso lo que usted debe evitar decir en una conversación las maneras agradables y efectivas de ejercer la

[psicología oscura una guía esencial de persuasión](#) - Aug 14 2023

web 2 manuscritos completos en 1 libro psicolog a oscura lo que las personas maquiav licas poderosas saben y usted no sobre persuasi n control mental manipulaci n negociaci

psicologa a oscura una gua a esencial de persuasi pdf - Apr 29 2022

web 4 psicologa a oscura una gua a esencial de persuasi 2020 09 10 un accidente terrible del que realmente no tenía culpa aunque se siente culpable cuando frank ve por

psicologa oscura una gua esencial de persuasin manipulacin - Sep 03 2022

web right here we have countless ebook psicologa a oscura una gua a esencial de persuasi and collections to check out we additionally come up with the money for

[psicologa a oscura una gua a esencial de persuasi e](#) - Aug 02 2022

web 2 psicologa a oscura una gua a esencial de persuasi 2022 06 07 reclusa impact publishers the definitive firsthand account of the groundbreaking research of philip

psicología oscura una guía esencial de persuasión storytel - Mar 09 2023

web buy psicolog a oscura una gu a esencial de persuasi n manipulaci n enga o control mental negociaci n conducta humana

pnl y guerra psicológica by steven turner

psicología oscura una guía esencial de persuasión - Apr 10 2023

web duración 6h 16m 2 manuscritos completos en 1 libro psicología oscura lo que las personas maquiavélicas poderosas saben y usted no sobre persuasión control mental

psicología oscura una guía esencial de persuasión - Nov 24 2021

web oscura potentes técnicas de pnl que pueden utilizarse con fines de manipulación técnicas de control mental altamente efectivas y mucho mucho

psicología oscura una guía esencial de persuasión - Dec 26 2021

web 2 manuscritos completos en 1 libro psicología oscura lo que las personas maquiavélicas poderosas saben y usted no sobre persuasión control mental manipulación

loading interface goodreads - May 31 2022

web 4 psicología oscura una guía esencial de persuasión 2021 08 20 de extinción debido a los constantes esfuerzos de la sociedad por civilizar a las mujeres y constreñirlas a

psicología oscura una guía esencial de persuasión - Oct 24 2021

psicología oscura una guía esencial de persuasión pdf - Jul 01 2022

web discover and share books you love on goodreads

elix 20 35 70 100 water purification system emd millipore - Aug 27 2022

web user manuals guides and specifications for your millipore elix essential 10 water filtration systems database contains 1 millipore elix essential 10 manuals available for free online viewing or downloading in pdf operation user's manual millipore elix essential 10 operation user's manual 54 pages pages 54 size

user manual elix essential 3 5 10 15 uv rios wolflabs - Jul 06 2023

web documentation usage the instruction manual found with your water purification system is important for a good usage and the maintenance in compliance with the manufacturer specifications your water system is delivered with two documents and these are a user manual which describes all specifications operations and functions of the water system

elix essential water purification system elix type 2 - Dec 31 2022

web we have 1 millipore elix 100 manual available for free pdf download user manual millipore elix 100 user manual 71 pages brand millipore category water filtration systems size 0 82 mb

elix advantage water purification milliporesigma - Oct 29 2022

web view and download millipore elix essential 3 user manual online elix essential 3 water filtration systems pdf manual

download also for elix essential 5 elix essential 10 rios essential 5 rios essential 8 rios essential 16 rios essential 24 elix essential 15

millipore elix essential 10 manuals manualslib - Oct 09 2023

web manuals and user guides for millipore elix essential 10 we have 1 millipore elix essential 10 manual available for free pdf download user manual

millipore elix 35 manuals manualslib - May 24 2022

web this manual is intended for use with a millipore sas elix 35 clinical or elix 70 clinical water purification system this user manual is a guide for use during the normal operation and maintenance of an elix 35 clinical or elix 70 clinical water purification system

millipore elix essential 3 user manual pdf download - Sep 27 2022

web elix systems benefit from intelligent ro technology this controls water consumption ensures a constant product flow rate and optimal water quality all prolong the lifetime of the ro membrane and downstream purification technologies depending on daily volume needs different production flow rates are available 20 35 70 100 l h

millipore elix 35 clinical user manual pdf download - Apr 22 2022

web elix advantage 10 water purification system the most advanced pure water system producing elix water quality pre equipped for e pod remote dispenser find msds or sds a coa data sheets and more information

[elix essential 10 water purification system zlxe0100ww](#) - Feb 18 2022

web overview key spec table elix advantage 10 water purification system the most advanced pure water system producing elix water quality pre equipped for e pod remote dispenser find msds or sds a coa data sheets and more information

[elix essential 10 uv water purification system zlxev100ww](#) - Dec 19 2021

web we have 2 millipore elix 70 manuals available for free pdf download user manual millipore elix 70 user manual 71 pages brand millipore category water filtration systems size 0 82 mb

[elix reference 10 water purification system zrx0010ww](#) - Aug 07 2023

web elix reference 10 water purification system a pure water solution integrating elix technology for a broad range of applications please note the elix reference system is now replaced by the milli q ix 7003 05 10 15 pure water system find msds or sds a coa data sheets and more information

[merck millipore reference 10 elix user manual sigma aldrich](#) - Jun 24 2022

web manuals and user guides for millipore elix 35 we have 2 millipore elix 35 manuals available for free pdf download user manual

[millipore elix 70 manuals manualslib](#) - Nov 17 2021

[millipore elix essential 10 manuals user guides](#) - Jul 26 2022

web zlx0100ww type 2 pure water of consistent and reliable quality from potable tap water with a flow rate of 10 l h view pricing page 1 of 1 find merck millipore reference 10 elix user manual and related products for scientific research at milliporesigma

millipore elix 100 manuals manualslib - Nov 29 2022

web elix electrodeionization edi technology ensure delivery of constant and reliable quality type 2 pure water high quality pure water meeting the specifications for your applications with resistivity 5 mΩ cm at 25 c typically 10 15 mΩ cm and toc 30 ppb elix advantage system product water is of better quality than double

[user manual elix essential 3 5 10 15 uv system rios](#) - Sep 08 2023

web a user manual which describes all specifications operations and functions of the water system a quick guide that describes quick access to maintenance and operating information it may be necessary for to reference these documents for maintenance or other procedures with the water system

elix essential 10 uv water purification system emd millipore - Apr 03 2023

web elix essential 10 uv water purification system a pure water solution integrating elix technology for your essential needs find msds or sds a coa data sheets and more information

elix reference water purification systems milliporesigma - Feb 01 2023

web specifications ordering information supporting documentation related products applications overview elix essential delivers type 2 water customized to fit a broad range of research areas it is designed to be fed from potable water and is the ideal feed for any laboratory equipment including ultrapure water systems such as milli q systems

elix essential 10 water purification system zlx0100ww - Jun 05 2023

web elix essential 10 systems deliver consistent quality type 2 pure water from tap water at a flow rate of 10 l h ideal feed for ultrapure water polishing systems complementary purification process includes progard pretreatment reverse osmosis ro and an elix electrodeionization edi module

[elix advantage 10 water purification system zrxv010ww](#) - Mar 22 2022

web download zoom constant quality pure type 2 water for general use instrument feed no chemical regeneration small footprint for flexible installation msds material safety data sheet or sds coa and coq dossiers brochures and other available documents brochures user guides

millipore elix 20 user manual pdf download - Mar 02 2023

web combining emd millipore s patented elix electrodeionization technology with the most advanced purification technologies the elix reference system uses potable tap water as feed to produce consistently high quality pure water for all

your lab s pure water needs consistently pure and reliable type 2 water quality

elix advantage 10 water purification system zrxv010ww - Jan 20 2022

web elix essential 10 uv water purification system a pure water solution integrating elix technology for your essential needs

find msds or sds a coa data sheets and more information

elix essential 3 5 10 15 water purification systems emd - May 04 2023

web elix essential systems have a small footprint enabling convenient installation on or under the bench or on a wall systems

provide 3 5 10 or 15 liters of pure water per hour confidence in your water purification system supplier elix essential systems

are manufactured in an iso registered