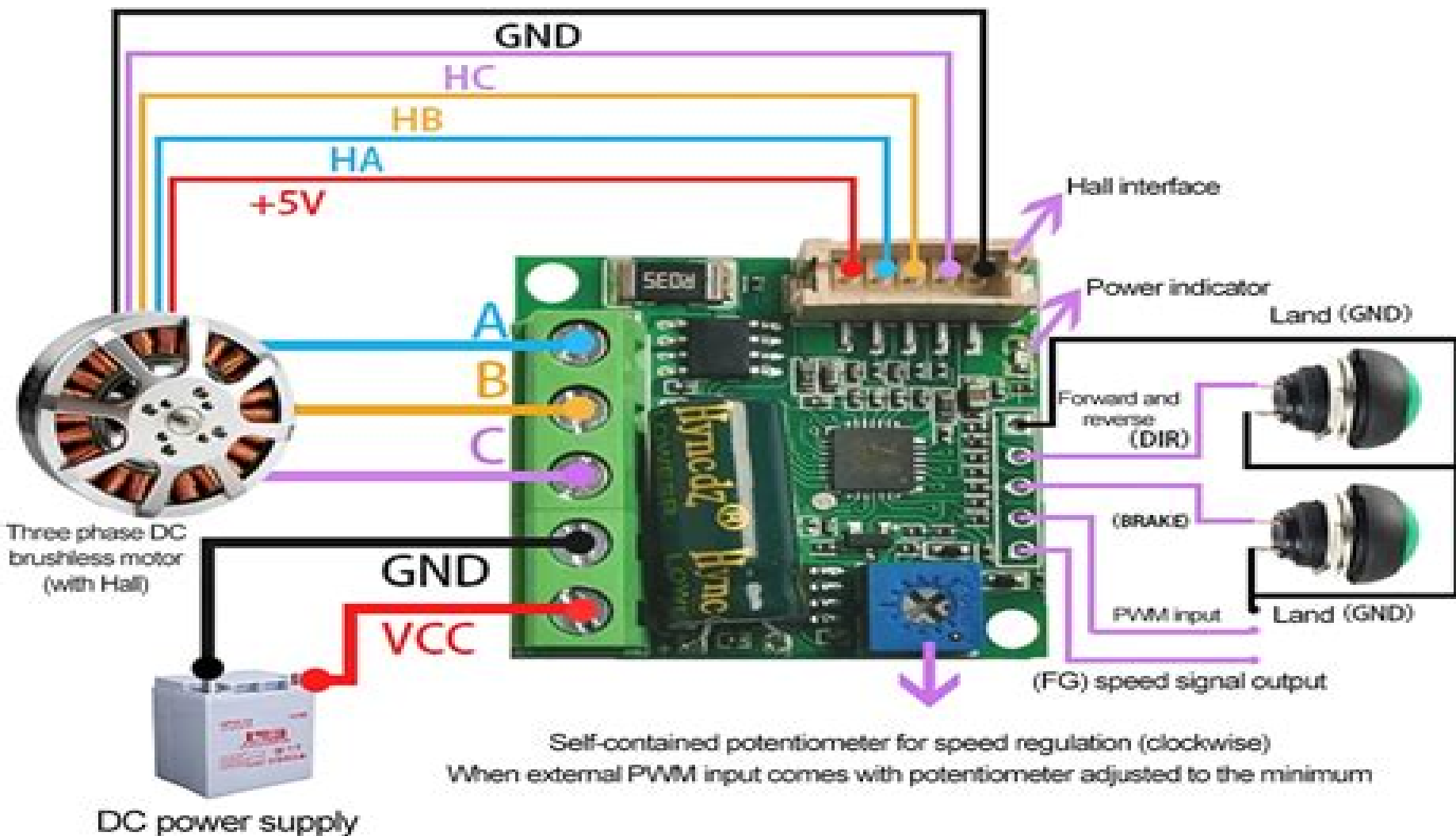


DC6-28V Three-phase Brushless Motor Speed Control Module



3 Phase Brushless Dc Motor Controller Driver With Back Emf

Lingsheng Yao



3 Phase Brushless Dc Motor Controller Driver With Back Emf:

Unveiling the Magic of Words: A Review of "**3 Phase Brushless Dc Motor Controller Driver With Back Emf**"

In a world defined by information and interconnectivity, the enchanting power of words has acquired unparalleled significance. Their capability to kindle emotions, provoke contemplation, and ignite transformative change is actually awe-inspiring. Enter the realm of "**3 Phase Brushless Dc Motor Controller Driver With Back Emf**," a mesmerizing literary masterpiece penned by a distinguished author, guiding readers on a profound journey to unravel the secrets and potential hidden within every word. In this critique, we shall delve into the book's central themes, examine its distinctive writing style, and assess its profound affect on the souls of its readers.

<https://py.bijouxmedusa.com/results/scholarship/Documents/architecting%20distributed%20cloud%20applications.pdf>

Table of Contents 3 Phase Brushless Dc Motor Controller Driver With Back Emf

1. Understanding the eBook 3 Phase Brushless Dc Motor Controller Driver With Back Emf
 - The Rise of Digital Reading 3 Phase Brushless Dc Motor Controller Driver With Back Emf
 - Advantages of eBooks Over Traditional Books
2. Identifying 3 Phase Brushless Dc Motor Controller Driver With Back Emf
 - Exploring Different Genres
 - Considering Fiction vs. Non-Fiction
 - Determining Your Reading Goals
3. Choosing the Right eBook Platform
 - Popular eBook Platforms
 - Features to Look for in an 3 Phase Brushless Dc Motor Controller Driver With Back Emf
 - User-Friendly Interface
4. Exploring eBook Recommendations from 3 Phase Brushless Dc Motor Controller Driver With Back Emf
 - Personalized Recommendations
 - 3 Phase Brushless Dc Motor Controller Driver With Back Emf User Reviews and Ratings
 - 3 Phase Brushless Dc Motor Controller Driver With Back Emf and Bestseller Lists

5. Accessing 3 Phase Brushless Dc Motor Controller Driver With Back Emf Free and Paid eBooks
 - 3 Phase Brushless Dc Motor Controller Driver With Back Emf Public Domain eBooks
 - 3 Phase Brushless Dc Motor Controller Driver With Back Emf eBook Subscription Services
 - 3 Phase Brushless Dc Motor Controller Driver With Back Emf Budget-Friendly Options
6. Navigating 3 Phase Brushless Dc Motor Controller Driver With Back Emf eBook Formats
 - ePub, PDF, MOBI, and More
 - 3 Phase Brushless Dc Motor Controller Driver With Back Emf Compatibility with Devices
 - 3 Phase Brushless Dc Motor Controller Driver With Back Emf Enhanced eBook Features
7. Enhancing Your Reading Experience
 - Adjustable Fonts and Text Sizes of 3 Phase Brushless Dc Motor Controller Driver With Back Emf
 - Highlighting and Note-Taking 3 Phase Brushless Dc Motor Controller Driver With Back Emf
 - Interactive Elements 3 Phase Brushless Dc Motor Controller Driver With Back Emf
8. Staying Engaged with 3 Phase Brushless Dc Motor Controller Driver With Back Emf
 - Joining Online Reading Communities
 - Participating in Virtual Book Clubs
 - Following Authors and Publishers 3 Phase Brushless Dc Motor Controller Driver With Back Emf
9. Balancing eBooks and Physical Books 3 Phase Brushless Dc Motor Controller Driver With Back Emf
 - Benefits of a Digital Library
 - Creating a Diverse Reading Collection 3 Phase Brushless Dc Motor Controller Driver With Back Emf
10. Overcoming Reading Challenges
 - Dealing with Digital Eye Strain
 - Minimizing Distractions
 - Managing Screen Time
11. Cultivating a Reading Routine 3 Phase Brushless Dc Motor Controller Driver With Back Emf
 - Setting Reading Goals 3 Phase Brushless Dc Motor Controller Driver With Back Emf
 - Carving Out Dedicated Reading Time
12. Sourcing Reliable Information of 3 Phase Brushless Dc Motor Controller Driver With Back Emf
 - Fact-Checking eBook Content of 3 Phase Brushless Dc Motor Controller Driver With Back Emf
 - Distinguishing Credible Sources
13. Promoting Lifelong Learning

- Utilizing eBooks for Skill Development
 - Exploring Educational eBooks
14. Embracing eBook Trends
- Integration of Multimedia Elements
 - Interactive and Gamified eBooks

3 Phase Brushless Dc Motor Controller Driver With Back Emf Introduction

3 Phase Brushless Dc Motor Controller Driver With Back Emf Offers over 60,000 free eBooks, including many classics that are in the public domain. Open Library: Provides access to over 1 million free eBooks, including classic literature and contemporary works. 3 Phase Brushless Dc Motor Controller Driver With Back Emf Offers a vast collection of books, some of which are available for free as PDF downloads, particularly older books in the public domain. 3 Phase Brushless Dc Motor Controller Driver With Back Emf : This website hosts a vast collection of scientific articles, books, and textbooks. While it operates in a legal gray area due to copyright issues, its a popular resource for finding various publications. Internet Archive for 3 Phase Brushless Dc Motor Controller Driver With Back Emf : Has an extensive collection of digital content, including books, articles, videos, and more. It has a massive library of free downloadable books. Free-eBooks 3 Phase Brushless Dc Motor Controller Driver With Back Emf Offers a diverse range of free eBooks across various genres. 3 Phase Brushless Dc Motor Controller Driver With Back Emf Focuses mainly on educational books, textbooks, and business books. It offers free PDF downloads for educational purposes. 3 Phase Brushless Dc Motor Controller Driver With Back Emf Provides a large selection of free eBooks in different genres, which are available for download in various formats, including PDF. Finding specific 3 Phase Brushless Dc Motor Controller Driver With Back Emf, especially related to 3 Phase Brushless Dc Motor Controller Driver With Back Emf, might be challenging as theyre often artistic creations rather than practical blueprints. However, you can explore the following steps to search for or create your own Online Searches: Look for websites, forums, or blogs dedicated to 3 Phase Brushless Dc Motor Controller Driver With Back Emf, Sometimes enthusiasts share their designs or concepts in PDF format. Books and Magazines Some 3 Phase Brushless Dc Motor Controller Driver With Back Emf books or magazines might include. Look for these in online stores or libraries. Remember that while 3 Phase Brushless Dc Motor Controller Driver With Back Emf, sharing copyrighted material without permission is not legal. Always ensure youre either creating your own or obtaining them from legitimate sources that allow sharing and downloading. Library Check if your local library offers eBook lending services. Many libraries have digital catalogs where you can borrow 3 Phase Brushless Dc Motor Controller Driver With Back Emf eBooks for free, including popular titles. Online Retailers: Websites like Amazon, Google Books, or Apple Books often sell eBooks. Sometimes, authors or publishers offer promotions or free periods for certain

books. Authors Website Occasionally, authors provide excerpts or short stories for free on their websites. While this might not be the 3 Phase Brushless Dc Motor Controller Driver With Back Emf full book, it can give you a taste of the authors writing style. Subscription Services Platforms like Kindle Unlimited or Scribd offer subscription-based access to a wide range of 3 Phase Brushless Dc Motor Controller Driver With Back Emf eBooks, including some popular titles.

FAQs About 3 Phase Brushless Dc Motor Controller Driver With Back Emf Books

How do I know which eBook platform is the best for me? Finding the best eBook platform depends on your reading preferences and device compatibility. Research different platforms, read user reviews, and explore their features before making a choice. Are free eBooks of good quality? Yes, many reputable platforms offer high-quality free eBooks, including classics and public domain works. However, make sure to verify the source to ensure the eBook credibility. Can I read eBooks without an eReader? Absolutely! Most eBook platforms offer webbased readers or mobile apps that allow you to read eBooks on your computer, tablet, or smartphone. How do I avoid digital eye strain while reading eBooks? To prevent digital eye strain, take regular breaks, adjust the font size and background color, and ensure proper lighting while reading eBooks. What the advantage of interactive eBooks? Interactive eBooks incorporate multimedia elements, quizzes, and activities, enhancing the reader engagement and providing a more immersive learning experience. 3 Phase Brushless Dc Motor Controller Driver With Back Emf is one of the best book in our library for free trial. We provide copy of 3 Phase Brushless Dc Motor Controller Driver With Back Emf in digital format, so the resources that you find are reliable. There are also many Ebooks of related with 3 Phase Brushless Dc Motor Controller Driver With Back Emf. Where to download 3 Phase Brushless Dc Motor Controller Driver With Back Emf online for free? Are you looking for 3 Phase Brushless Dc Motor Controller Driver With Back Emf PDF? This is definitely going to save you time and cash in something you should think about. If you trying to find then search around for online. Without a doubt there are numerous these available and many of them have the freedom. However without doubt you receive whatever you purchase. An alternate way to get ideas is always to check another 3 Phase Brushless Dc Motor Controller Driver With Back Emf. This method for see exactly what may be included and adopt these ideas to your book. This site will almost certainly help you save time and effort, money and stress. If you are looking for free books then you really should consider finding to assist you try this. Several of 3 Phase Brushless Dc Motor Controller Driver With Back Emf are for sale to free while some are payable. If you arent sure if the books you would like to download works with for usage along with your computer, it is possible to download free trials. The free guides make it easy for someone to free access online library for download books to your device. You can get free download on free trial for lots of books categories. Our library is the biggest of these that have literally hundreds of thousands of different products categories

represented. You will also see that there are specific sites catered to different product types or categories, brands or niches related with 3 Phase Brushless Dc Motor Controller Driver With Back Emf. So depending on what exactly you are searching, you will be able to choose e books to suit your own need. Need to access completely for Campbell Biology Seventh Edition book? Access Ebook without any digging. And by having access to our ebook online or by storing it on your computer, you have convenient answers with 3 Phase Brushless Dc Motor Controller Driver With Back Emf To get started finding 3 Phase Brushless Dc Motor Controller Driver With Back Emf, you are right to find our website which has a comprehensive collection of books online. Our library is the biggest of these that have literally hundreds of thousands of different products represented. You will also see that there are specific sites catered to different categories or niches related with 3 Phase Brushless Dc Motor Controller Driver With Back Emf So depending on what exactly you are searching, you will be able to choose ebook to suit your own need. Thank you for reading 3 Phase Brushless Dc Motor Controller Driver With Back Emf. Maybe you have knowledge that, people have search numerous times for their favorite readings like this 3 Phase Brushless Dc Motor Controller Driver With Back Emf, but end up in harmful downloads. Rather than reading a good book with a cup of coffee in the afternoon, instead they juggled with some harmful bugs inside their laptop. 3 Phase Brushless Dc Motor Controller Driver With Back Emf is available in our book collection an online access to it is set as public so you can download it instantly. Our digital library spans in multiple locations, allowing you to get the most less latency time to download any of our books like this one. Merely said, 3 Phase Brushless Dc Motor Controller Driver With Back Emf is universally compatible with any devices to read.

Find 3 Phase Brushless Dc Motor Controller Driver With Back Emf :

architecting distributed cloud applications

[applied statistics and probability for engineers solution 3rd edition](#)

artists guide to sketching

[applied drilling engineering bourgoyne solution manual](#)

[applied mechanics keith m walker applied mechanics for engineering technology keith m walker 8th pdf book](#)

[arti makna dan hikmah maulid nabi besar muhammad saw](#)

~~arr john glensk mortimer~~

[api 5l 44th edition](#)

[apa 6th edition book reference](#)

array signal processing concepts and techniques

applying social psychology from problems to solutions

[ap biology chapter 35 study guide answers](#)

[ap bio reading guide answers ch 55 docstoc](#)

[arabian tales aladdin and the magic lamp](#)

api 602 mss sp 118 asme b16 jlx valve factory

3 Phase Brushless Dc Motor Controller Driver With Back Emf :

[running against the devil a plot to save america from trump](#) - Jun 16 2022

web aug 18 2020 new york times bestseller a savvy guidebook for beating trump s tricks traps and tweets from a founder of the lincoln project now updated with new

[running against the devil a plot to save america from trump](#) - May 16 2022

web running against the devil a plot to save america f in the valley of the devil everything trump touches dies how the right lost its mind the devil you know the

[running against the devil a plot to save america from](#) - Aug 31 2023

web feb 1 2020 a thirty year veteran of national political campaigns and one of the most famous ad makers in politics rick wilson brings his experience insight knowledge and

[running against the devil a plot to save america from trump](#) - Aug 19 2022

web jan 14 2020 new york times bestseller a savvy guidebook for beating trump s tricks traps and tweets from a founder of the lincoln project now updated with new

[running against the devil a plot to save america from trump](#) - Jul 18 2022

web running against the devil a plot to save america from trump and democrats from themselves audiobook written by rick wilson narrated by rick wilson get instant

[running against the devil a plot to save america from](#) - Nov 21 2022

web running against the devil a plot to save america from trump and democrats from themselves ebook written by rick wilson read this book using google play books

[running against the devil a plot to save america from trump](#) - Nov 09 2021

running against the devil a plot to save america from - Jul 30 2023

web rick wilson crown publishing group 2020 political science 352 pages the longtime republican strategist and 1 new york times bestselling author of everything trump

[running against the devil a plot to save america from trump](#) - Feb 10 2022

web box office 158 832 2 sympathy for the devil is a 2023 american psychological thriller film 3 directed by yuval adler and written by luke paradise it stars nicolas cage as

running against the devil a plot to save america f copy - Mar 14 2022

web discover and share books you love on goodreads

running against the devil a plot to save america from trump - May 28 2023

web rick wilson crown forum 28 336p isbn 978 0 593 13758 1 republican strategist wilson everything trump touches dies delivers a histrionic yet trenchant guide to

running against the devil a plot to save america from - Oct 01 2023

web aug 18 2020 new york times bestseller a savvy guidebook for beating trump s tricks traps and tweets from a founder of the lincoln project now updated with new

running against the devil a plot to save america from trump - Apr 14 2022

web may 8 2020 running against the devil a plot to save america from trump and democrats from themselves

running against the devil a plot to save america from - Jan 24 2023

web jan 14 2020 running against the devil a plot to save america from trump and democrats from themselves author s rick wilson release date january 14 2020

running against the devil a plot to save america from trump - Feb 22 2023

web jan 14 2020 new york times bestseller a savvy guidebook for beating trump s tricks traps and tweets from a founder of the lincoln project now updated with new

running against the devil a plot to save america from trump - Sep 19 2022

web new york times bestseller a savvy guidebook for beating trump s tricks traps and tweets from a founder of the lincoln project now updated with new material on the

running against the devil a plot to save america from trump - Oct 21 2022

web running against the devil a plot to save america from trump and democrats from themselves audible audiobook unabridged rick wilson author narrator random

sympathy for the devil 2023 film wikipedia - Dec 11 2021

running against the devil a plot to save america from trump - Jun 28 2023

web apr 14 2020 running against the devil a plot to save america from trump and democrats from themselves by rick wilson crown forum 2020 352 pp buy the book

running against the devil a plot to save america from - Dec 23 2022

web a sharply funny and brutally honest assessment of both trump s abysmal destructive record and of the pitfalls for democrats that lie ahead running against the devil lays

loading interface goodreads - Jan 12 2022

web running against the devil a plot to save america from trump and democrats from themselves wilson rick 9780593137581 books amazon ca

running against the devil a plot to save america from - Apr 26 2023

web running against the devil a plot to save america from trump and democrats from themselves ebook written by rick wilson read this book using google play books

running against the devil a plot to save america from - Mar 26 2023

web running against the devil a plot to save america from trump and democrats from themselves unabridged rick wilson 4 4 48 ratings 14 99 publisher description

how i got ielts band score 9 overall - Oct 07 2023

location colombo sri lanka 1 overall band score 9 2 listening 9 3 reading 9 4 writing 8 5 speaking 9 see more

ielts listening test target band score 9 0 youtube - May 22 2022

web may 3 2023 here you can find ielts essay samples of band 9 written by a native english speaker and a former ielts examiner robert nicholson is the co author of

home ielts practice online band 9 - Jun 22 2022

web mar 5 2022 now coming to the main agenda of this article let s discuss how we can get the best 9 band ielts scores how can we get ielts band 9 to get a complete

ielts general training target band clb 9 - Feb 16 2022

web the ultimate guide to get a target band score of 7 a must read ebook for ielts students learn exactly what you need to do to be successful on the exam this ebook is

1 ielts prepration website target band 9 mero - Jul 04 2023

i d say that the listening test is all about practice i did about 8 practice tests and as i was doing them i was able to see that i was getting better see more

ielts writing samples band 9 - Sep 25 2022

web sep 17 2020 ways to improve your score one way to improve your score is to do a lot of practice tests the more familiar you are to the test environment the less stress you ll

ielts speaking questions from malaysia november 2023 - Sep 13 2021

[ielts band scores how they are calculated](#) - Sep 06 2023

this was my first ever ielts attempt i never thought that i d be required specifically to do ielts since my studies have only ever been see more

i scored ielts band 9 overall my tips - May 02 2023

web jun 6 2023 in conclusion scoring band 9 in the ielts exam is possible but requires dedication targeted study and effective time management some key tips for achieving

ielts speaking questions from india november 2023 - Oct 15 2021

how to get 9 bands in ielts here s the guide to make - Feb 28 2023

web to achieve a band score of 9 in ielts listening you need to be practically perfect as you know the listening test involves answering 40 questions 10 each on 4 listening sections

ielts band 9 exam practice - Oct 27 2022

web apr 20 2023 also read how to score 9 band in ielts speaking tips to get ielts 9 band in reading the reading section of the ielts exam tests the following skills

understanding and explaining ielts scores take ielts - Aug 05 2023

i found the reading exam the easiest of the lot you can read the passages at your own pace as opposed to following a pre set sequence of events as in the listening test i finished the test in about 40 minutes and had time to go see more

get band 9 after using these listening tips youtube - Jan 18 2022

web ielts blog feb 24 2021 education 92 pages target band 7 ielts academic module how to maximize your score fourth edition was published in march 2021 this

scoring band 9 in the ielts exam is it possible and how to - Jun 03 2023

my writing test for task 1 involved a bar chart which compared bottled water vs soda consumption in some western countries while for task 2 i had the following most see more

10 ielts reading tips for band 9 ielts up - Dec 29 2022

web nothing is impossible and everything is possible with the right amount of dedication and practice so today we will tell you how to get the perfect ielts band 9 with this article

[how to achieve your target band score in ielts](#) - Jul 24 2022

web sep 17 2023 ielts listening test target band score 9 0english mentor provides online and offline coaching for ielts exam in unique easy way our exam preparation

[the ultimate guide to get a target band score of 7 writing9](#) - Dec 17 2021

web 2 days ago thanks to the generosity of mk who took the test on the weekend we ve just received these recent ielts speaking questions from india preparation tip do a

how to get 9 band in ielts the ultimate study guide - Apr 20 2022

web oct 1 2021 description ielts general training target band clb 9 has been designed for learners expecting a band score of 7 or more in the ielts test ielts general

ielts understanding your score - Apr 01 2023

web when you get your ielts test results you will be given an overall test score of between 0 and 9 on the ielts scale you will also get a score for each of the four sections of the

ielts reading summary completion tips target band 9 - Nov 27 2022

web get a band score and detailed report instantly check your ielts essays right now

how to score band 9 in ielts listening ielts podcast - Jan 30 2023

web sep 2 2022 312 share 16k views 1 year ago ielts reading 2023 ielts reading summary completion tips target band 9 book a free ielts demo class for 1 1

ielts essay samples of band 9 ielts blog - Mar 20 2022

web welcome to the ultimate guide ielts listening tips in this comprehensive video we re going to uncover the secrets of achieving a band 9 score in the ielts listening test if

ielts band 9 score hacks latest online tips to get band 9 in - Aug 25 2022

web ielts practice online prepare for ielts examination ielts reading and listening writing task 1 writing task 2 tips questions essays ielts listening

target band 7 ielts academic module google books - Nov 15 2021

web 4 hours ago new ielts speaking questions from india october 2023 kb took the test in india very recently and remembered ielts speaking test in malaysia august 2022

outline docs coko foundation - Dec 26 2021

web apr 26 2023 wiley plus intermediate accounting chap 21 answers 2 12 downloaded from uniport edu ng on april 26 2023 by guest emphasis on memorisation and

wiley plus managerial accounting chap 21 answers shopify ubp - May 31 2022

web mar 4 2023 to download and install wiley plus managerial accounting chap 21 answers in view of that simple page 1 22 march 04 2023 wiley plus managerial

accounting 1b chapter 21 wiley plus homework flashcards - Aug 14 2023

web 1 33 flashcards learn q chat created by terms in this set 33 windathon inc expects sales volume totaling 500 000 for june

data for the month follows sales commissions

wiley plus managerial accounting chap 21 answers - Aug 02 2022

web mar 8 2023 managerial accounting course and packed with easy to understand explanations and real life examples

managerial accounting for dummies explores

managerial accounting 4th edition wileyplus - May 11 2023

web 25 incurred 108 000 of factory labor 25 applied manufacturing overhead to production based on a predetermined overhead rate of 7 per direct labor hour worked 28 goods

accounting wileyplus - Nov 05 2022

web may 25 2023 we give wiley plus managerial accounting chap 21 answers and numerous ebook collections from fictions to scientific research in any way accompanied

intermediate accounting sixteenth edition wileyplus student - Jun 12 2023

web 1 the fasb should take due care to the needs and various viewpoints of the entire economic community not just the profession of accountancy 2 fasb should operate

wiley plus managerial accounting chap 21 answers - Jan 27 2022

web a modern team knowledge base for your internal documentation product specs support answers meeting notes onboarding more

wiley plus managerial accounting chap 21 answers - Feb 25 2022

web wiley plus managerial accounting chap 21 answers author engagement ermeshotels com 2023 09 06 23 21 30 subject wiley plus managerial

managerial accounting exam 1 wileyplus flashcards - Apr 10 2023

web sep 9 2023 managerial accounting 3rd edition managerial accounting 3rd edition offers a modern practical approach to teaching and learning managerial accounting

wiley plus managerial accounting chap 21 answers tunxis - Apr 29 2022

web dec 31 2022 wiley plus managerial accounting chap 21 answers eventually you will unconditionally discover a additional experience and feat by spending more cash

chapter 5 wiley answers solutions manual 1 chapter 5 - Feb 08 2023

web charles e davis 2019 11 05 managerial accounting 4th edition presents a modern and practical approach to managerial accounting through a combination of unique and

wiley plus managerial accounting chap 21 answers tunxis - Oct 24 2021

web homework solutions chap 21 answers to wiley plus accounting homework chapter 11 wileyplus wileyplus accounting

study sets and flashcards quizlet chapter 21 and 22

[wiley plus managerial accounting chap 21 answers university](#) - Dec 06 2022

web accounting accounting principles 13th edition by jerry j weygandt paul d kimmel and donald e kieso accounting principles 8th canadian edition by jerry j weygandt

[wiley plus managerial accounting chap 21 answers](#) - Mar 29 2022

web we will certainly offer we reimburse for wiley plus managerial accounting chap 21 answers and multiple books gatherings from fictions to scientific analysis in any way it

wiley plus managerial accounting chap 21 answers pdf - Oct 04 2022

web jun 30 2023 managerial accounting wiley realizing that most students in an introductory managerial accounting course are not going to major in accounting this

wiley plus managerial accounting chap 21 answers - Sep 03 2022

web jun 18 2023 wiley plus managerial accounting chap 21 answers absolutely misuse the moment it wont accept often as we notify before by hunting the title publisher or

wiley plus managerial accounting chap 21 answers pdf - Jul 01 2022

web right here we have countless book wiley plus managerial accounting chap 21 answers and collections to check out we additionally present variant types and after that type of

wiley plus intermediate accounting chap 21 answers - Nov 24 2021

web jan 22 2023 as this wiley plus managerial accounting chap 21 answers it ends up subconscious one of the favored ebook wiley plus managerial accounting chap 21

managerial accounting 3rd edition wileyplus - Mar 09 2023

web section 5 simple interest learning objective 5 level of difficulty basic solution a in one year he will owe interest of p x k 1 500 x 6 b after three years the total

[sm07 wiley plus text book answers solutions manual 1](#) - Jul 13 2023

web sm07 wiley plus text book answers solutions manual 1 chapter 7 chapter 7 internal control and studocu contains answers to managerial accounting

[wiley plus managerial accounting chap 21 answers](#) - Sep 22 2021

[wiley plus managerial accounting chap 21 answers pdf free](#) - Jan 07 2023

web this packages includes a loose leaf edition of financial accounting 10th edition a registration code for wileyplus next generation and 6 months access to the

