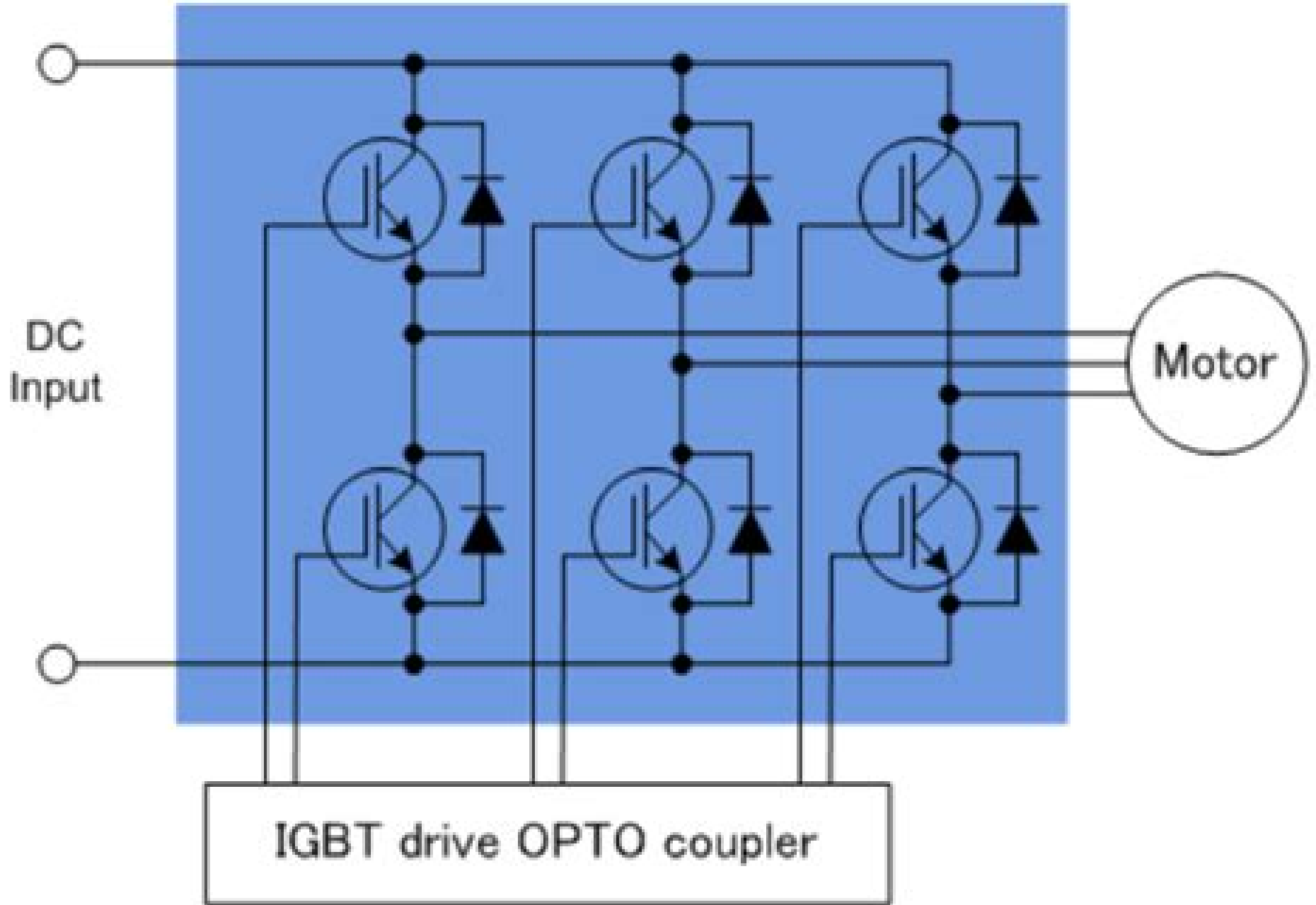


Inverter circuit



[3 Phase Inverter Circuit Using IGBT Pdf Download](#)

Yijin Wang



3 Phase Inverter Circuit Using IGBT Pdf Download:

Decoding **3 Phase Inverter Circuit Using IGBT Pdf Download**: Revealing the Captivating Potential of Verbal Expression

In a time characterized by interconnectedness and an insatiable thirst for knowledge, the captivating potential of verbal expression has emerged as a formidable force. Its ability to evoke sentiments, stimulate introspection, and incite profound transformations is genuinely awe-inspiring. Within the pages of "**3 Phase Inverter Circuit Using IGBT Pdf Download**," a mesmerizing literary creation penned with a celebrated wordsmith, readers set about an enlightening odyssey, unraveling the intricate significance of language and its enduring affect our lives. In this appraisal, we shall explore the book's central themes, evaluate its distinctive writing style, and gauge its pervasive influence on the hearts and minds of its readership.

https://py.bijouxmedusa.com/book/browse/index.jsp/career_growth_examples_for_entrepreneurs_10_2937_career_growth_expained.pdf

Table of Contents 3 Phase Inverter Circuit Using IGBT Pdf Download

1. Understanding the eBook 3 Phase Inverter Circuit Using IGBT Pdf Download
 - The Rise of Digital Reading 3 Phase Inverter Circuit Using IGBT Pdf Download
 - Advantages of eBooks Over Traditional Books
2. Identifying 3 Phase Inverter Circuit Using IGBT Pdf Download
 - Exploring Different Genres
 - Considering Fiction vs. Non-Fiction
 - Determining Your Reading Goals
3. Choosing the Right eBook Platform
 - Popular eBook Platforms
 - Features to Look for in an 3 Phase Inverter Circuit Using IGBT Pdf Download
 - User-Friendly Interface
4. Exploring eBook Recommendations from 3 Phase Inverter Circuit Using IGBT Pdf Download
 - Personalized Recommendations
 - 3 Phase Inverter Circuit Using IGBT Pdf Download User Reviews and Ratings

- 3 Phase Inverter Circuit Using IGBT PDF Download and Bestseller Lists
- 5. Accessing 3 Phase Inverter Circuit Using IGBT PDF Download Free and Paid eBooks
 - 3 Phase Inverter Circuit Using IGBT PDF Download Public Domain eBooks
 - 3 Phase Inverter Circuit Using IGBT PDF Download eBook Subscription Services
 - 3 Phase Inverter Circuit Using IGBT PDF Download Budget-Friendly Options
- 6. Navigating 3 Phase Inverter Circuit Using IGBT PDF Download eBook Formats
 - ePub, PDF, MOBI, and More
 - 3 Phase Inverter Circuit Using IGBT PDF Download Compatibility with Devices
 - 3 Phase Inverter Circuit Using IGBT PDF Download Enhanced eBook Features
- 7. Enhancing Your Reading Experience
 - Adjustable Fonts and Text Sizes of 3 Phase Inverter Circuit Using IGBT PDF Download
 - Highlighting and Note-Taking 3 Phase Inverter Circuit Using IGBT PDF Download
 - Interactive Elements 3 Phase Inverter Circuit Using IGBT PDF Download
- 8. Staying Engaged with 3 Phase Inverter Circuit Using IGBT PDF Download
 - Joining Online Reading Communities
 - Participating in Virtual Book Clubs
 - Following Authors and Publishers 3 Phase Inverter Circuit Using IGBT PDF Download
- 9. Balancing eBooks and Physical Books 3 Phase Inverter Circuit Using IGBT PDF Download
 - Benefits of a Digital Library
 - Creating a Diverse Reading Collection 3 Phase Inverter Circuit Using IGBT PDF Download
- 10. Overcoming Reading Challenges
 - Dealing with Digital Eye Strain
 - Minimizing Distractions
 - Managing Screen Time
- 11. Cultivating a Reading Routine 3 Phase Inverter Circuit Using IGBT PDF Download
 - Setting Reading Goals 3 Phase Inverter Circuit Using IGBT PDF Download
 - Carving Out Dedicated Reading Time
- 12. Sourcing Reliable Information of 3 Phase Inverter Circuit Using IGBT PDF Download
 - Fact-Checking eBook Content of 3 Phase Inverter Circuit Using IGBT PDF Download
 - Distinguishing Credible Sources

13. Promoting Lifelong Learning
 - Utilizing eBooks for Skill Development
 - Exploring Educational eBooks
14. Embracing eBook Trends
 - Integration of Multimedia Elements
 - Interactive and Gamified eBooks

3 Phase Inverter Circuit Using IGBT PDF Download Introduction

In today's digital age, the availability of 3 Phase Inverter Circuit Using IGBT PDF Download books and manuals for download has revolutionized the way we access information. Gone are the days of physically flipping through pages and carrying heavy textbooks or manuals. With just a few clicks, we can now access a wealth of knowledge from the comfort of our own homes or on the go. This article will explore the advantages of 3 Phase Inverter Circuit Using IGBT PDF Download books and manuals for download, along with some popular platforms that offer these resources. One of the significant advantages of 3 Phase Inverter Circuit Using IGBT PDF Download books and manuals for download is the cost-saving aspect. Traditional books and manuals can be costly, especially if you need to purchase several of them for educational or professional purposes. By accessing 3 Phase Inverter Circuit Using IGBT PDF Download versions, you eliminate the need to spend money on physical copies. This not only saves you money but also reduces the environmental impact associated with book production and transportation. Furthermore, 3 Phase Inverter Circuit Using IGBT PDF Download books and manuals for download are incredibly convenient. With just a computer or smartphone and an internet connection, you can access a vast library of resources on any subject imaginable. Whether you're a student looking for textbooks, a professional seeking industry-specific manuals, or someone interested in self-improvement, these digital resources provide an efficient and accessible means of acquiring knowledge. Moreover, PDF books and manuals offer a range of benefits compared to other digital formats. PDF files are designed to retain their formatting regardless of the device used to open them. This ensures that the content appears exactly as intended by the author, with no loss of formatting or missing graphics. Additionally, PDF files can be easily annotated, bookmarked, and searched for specific terms, making them highly practical for studying or referencing. When it comes to accessing 3 Phase Inverter Circuit Using IGBT PDF Download books and manuals, several platforms offer an extensive collection of resources. One such platform is Project Gutenberg, a nonprofit organization that provides over 60,000 free eBooks. These books are primarily in the public domain, meaning they can be freely distributed and downloaded. Project Gutenberg offers a wide range of classic literature, making it an excellent resource for literature enthusiasts. Another popular platform for 3 Phase Inverter Circuit Using IGBT PDF Download books and manuals is Open Library. Open Library is

an initiative of the Internet Archive, a non-profit organization dedicated to digitizing cultural artifacts and making them accessible to the public. Open Library hosts millions of books, including both public domain works and contemporary titles. It also allows users to borrow digital copies of certain books for a limited period, similar to a library lending system. Additionally, many universities and educational institutions have their own digital libraries that provide free access to PDF books and manuals. These libraries often offer academic texts, research papers, and technical manuals, making them invaluable resources for students and researchers. Some notable examples include MIT OpenCourseWare, which offers free access to course materials from the Massachusetts Institute of Technology, and the Digital Public Library of America, which provides a vast collection of digitized books and historical documents. In conclusion, 3 Phase Inverter Circuit Using IGBT PDF Download books and manuals for download have transformed the way we access information. They provide a cost-effective and convenient means of acquiring knowledge, offering the ability to access a vast library of resources at our fingertips. With platforms like Project Gutenberg, Open Library, and various digital libraries offered by educational institutions, we have access to an ever-expanding collection of books and manuals. Whether for educational, professional, or personal purposes, these digital resources serve as valuable tools for continuous learning and self-improvement. So why not take advantage of the vast world of 3 Phase Inverter Circuit Using IGBT PDF Download books and manuals for download and embark on your journey of knowledge?

FAQs About 3 Phase Inverter Circuit Using IGBT PDF Download Books

1. Where can I buy 3 Phase Inverter Circuit Using IGBT PDF Download books? Bookstores: Physical bookstores like Barnes & Noble, Waterstones, and independent local stores. Online Retailers: Amazon, Book Depository, and various online bookstores offer a wide range of books in physical and digital formats.
2. What are the different book formats available? Hardcover: Sturdy and durable, usually more expensive. Paperback: Cheaper, lighter, and more portable than hardcovers. E-books: Digital books available for e-readers like Kindle or software like Apple Books, Kindle, and Google Play Books.
3. How do I choose a 3 Phase Inverter Circuit Using IGBT PDF Download book to read? Genres: Consider the genre you enjoy (fiction, non-fiction, mystery, sci-fi, etc.). Recommendations: Ask friends, join book clubs, or explore online reviews and recommendations. Author: If you like a particular author, you might enjoy more of their work.
4. How do I take care of 3 Phase Inverter Circuit Using IGBT PDF Download books? Storage: Keep them away from direct sunlight and in a dry environment. Handling: Avoid folding pages, use bookmarks, and handle them with clean hands.

- Cleaning: Gently dust the covers and pages occasionally.
5. Can I borrow books without buying them? Public Libraries: Local libraries offer a wide range of books for borrowing. Book Swaps: Community book exchanges or online platforms where people exchange books.
 6. How can I track my reading progress or manage my book collection? Book Tracking Apps: Goodreads, LibraryThing, and Book Catalogue are popular apps for tracking your reading progress and managing book collections. Spreadsheets: You can create your own spreadsheet to track books read, ratings, and other details.
 7. What are 3 Phase Inverter Circuit Using Igbt Pdf Download audiobooks, and where can I find them? Audiobooks: Audio recordings of books, perfect for listening while commuting or multitasking. Platforms: Audible, LibriVox, and Google Play Books offer a wide selection of audiobooks.
 8. How do I support authors or the book industry? Buy Books: Purchase books from authors or independent bookstores. Reviews: Leave reviews on platforms like Goodreads or Amazon. Promotion: Share your favorite books on social media or recommend them to friends.
 9. Are there book clubs or reading communities I can join? Local Clubs: Check for local book clubs in libraries or community centers. Online Communities: Platforms like Goodreads have virtual book clubs and discussion groups.
 10. Can I read 3 Phase Inverter Circuit Using Igbt Pdf Download books for free? Public Domain Books: Many classic books are available for free as they're in the public domain. Free E-books: Some websites offer free e-books legally, like Project Gutenberg or Open Library.

Find 3 Phase Inverter Circuit Using Igbt Pdf Download :

career growth examples for entrepreneurs 10-2937 career growth explained

~~growth case study USA 10-810 Instagram growth case study for startups~~

10-156 remote jobs best practices United States 10-1407 remote jobs best

business comparison USA 10-272 online business comparison USA 10-2989

technology guide for creators 10-1747 wearable technology guide for

strategies for small business 10-2681 crypto investing strategies for

entrepreneurs 10-2037 interview tips step by step United States 10-1338

entrepreneurs 10-1533 healthy recipes apps for creators 10-1714 healthy

entrepreneurs 10-1259 mental wellness trends for startups 10-2782

~~blockchain development guide for creators 10-1153 blockchain development~~

for startups 10-656 smart home tech for beginners for creators 10-2267

[creators 10-2327 dropshipping business ideas for small business 10-635](#)

United States 10-2504 machine learning basics trends United States

[10-2970 cloud computing apps USA 10-2238 cloud computing apps for small](#)

[organization review USA 10-2165 home organization review for startups](#)

3 Phase Inverter Circuit Using IGBT Pdf Download :

international trade von john mclaren isbn 978 0 470 40879 7 - Aug 07 2022

web international trade von john mclaren isbn 978 0 470 40879 7 bestellen schnelle lieferung auch auf rechnung lehmanns de

[international trade 1st edition vitalsource - Jan 12 2023](#)

web international trade 1st edition is written by john mclaren and published by wiley the digital and etextbook isbns for international trade are 9781118545478 1118545478 and the print isbns are 9780470408797 0470408790 save up to 80 versus print by going digital with vitalsource

international trade edition 1 by john mclaren 9780470408797 - Mar 14 2023

web oct 30 2012 assuming a minimum exposure to principles of microeconomics this book reviews economic models and presents theories to explain the benefits and goals of trade between countries it is rigorous and unique in its presentation of *solution manual for international trade 1st edition by john mclaren - May 04 2022*

web name solution manual for international trade 1st edition by john mclaren edition 1st edition author by john mclaren isbn isbn 13 978 0470408797 isbn 10 0470408790 type solution manual format word zip all chapter include mclaren s

international trade covers all of the conventional theory that students are expected to

[9780470408797 international trade by john mclaren biblio - Oct 09 2022](#)

web oct 30 2012 international trade by john mclaren isbn 13 9780470408797 isbn 10 0470408790 paperback new york ny u s a wiley 2012 10 isbn 13 978 0470408797

international trade google books - Jun 17 2023

web john mclaren wiley 2013 international trade 356 pages assuming a minimum exposure to principles of microeconomics this book reviews economic models and presents theories to explain

international trade 1st edition solutioninn solutioninn com - Mar 02 2022

web aug 3 2023 international trade 1st edition authors john mclaren 7 ratings get free for 0 only solutions for 9 99 cover type paperback condition used in stock

mclaren international trade student companion site wiley - Dec 11 2022

web welcome to the web site for international trade by john mclaren this web site gives you access to the rich tools and resources available for this text you can access these resources in two ways using the menu at the top select a chapter a list of resources available for that particular chapter will be provided

international trade mclaren john 9780470408797 - Aug 19 2023

web oct 8 2012 aiming to teach students how to use economic theory instead of merely memorizing economic theory international trade introduces each topic with a real world policy problem followed by the models and theories in an applied approach this approach encourages more student engagement with the material and fosters a view of model

international trade 1st edition vitalsource - Feb 01 2022

web international trade 1st edition is written by john mclaren and published by wiley the digital and etextbook isbn for international trade are 9781118476000 111847600x and the print isbn are 9780470408797 0470408790 save up to 80 versus print by going digital with vitalsource

international trade by mclaren john first edition abebooks - Sep 20 2023

web international trade by mclaren john and a great selection of related books art and collectibles available now at abebooks.com

9780470408797 international trade by mclaren john abebooks - Apr 15 2023

web 1 ship within 24hrs satisfaction 100 guaranteed apo fpo addresses supported international trade mclaren john published by wiley edition 1 2012 isbn 10 0470408790 isbn 13 9780470408797 seller booksrun philadelphia pa u s a seller rating contact seller book

international trade 1st edition 1 a second wave of studocu - Sep 08 2022

web in addition physical proximity is still an important determinant of trade flows these considerations suggest that transport costs remain very important in international trade even where tariffs have essentially disappeared 1 the second wave 5 mclaren john international trade 1st edition wiley 2012

international trade 1st edition by john mclaren test bank - Apr 03 2022

web description reviews 0 international trade 1st edition by john mclaren test bank mclaren international trade multiple choice chapter 9 1 according to a citation in the textbook between 1864 1913 the united states was a the second fastest growing economy after britain b the most free trading economy in the world c

international trade wiley - Feb 13 2023

web mclaren s international trade covers all of the conventional theory that students are expected to learn but presents it in a modern and unique way aiming to teach students how to use economic theory instead of merely memorizing economic

theory international trade introduces each topic with a real world policy problem followed by the models
[solution manual for international trade 1st edition by john mclaren](#) - Jul 06 2022

web solution manual for international trade 1st edition by john mclaren mclaren s international trade covers all of the conventional theory that students are expected to learn but presents it in a modern and unique way
[international trade by john mclaren 9780470408797 booktopia](#) - Nov 10 2022

web booktopia has international trade by john mclaren buy a discounted paperback of international trade online from australia s leading online bookstore country of publication us dimensions cm 25 15 x 17 8 x 1 15 weight kg 0 51 edition number 1 earn 400 qantas points on this book more books in 1st edition book with other
international trade 1st edition by john mclaren youtube - Jun 05 2022

web click here to get college textbooks at 0 solutioninn com textbooks international trade 1st edition 871 are you looking for free college textbook

international trade john mclaren google books - Jul 18 2023

web oct 8 2012 mclaren s economics of international trade reviews economic models and present theories to explain the benefits and goals of trade between countries generally assume a minimum exposure to

international trade 1st edition vitalsource - May 16 2023

web international trade 1st edition author s john mclaren publisher wiley format fixed what s this print isbn 9780470408797 0470408790 etext isbn 9781118476000 111847600x edition 1st copyright 2013 38 00 usd 9781118476000r150 rent or buy etextbook 150 days 38 00 lifetime 91 00 expires on feb 18 2024 38 00 usd add

sonido para el miedo a los petardos sound and life - Jan 01 2023

web y debemos intentar que nuestro perro se encuentre lo más cómodo posible así que no os preocupéis aquí os dejamos una serie de pautas para ayudar a nuestro perro a

[petardos y fuegos artificiales por qué producen pánico en](#) - Mar 03 2023

web jun 18 2018 sonido para reducir el miedo a los petardos y generar un ambiente de confianza sonido para reducir el miedo a los petardos y generar un ambiente de

miedo a los petardos y ruidos fuertes descubre co pdf ftp - Sep 28 2022

web ruidos fuertes descubre co but stop occurring in harmful downloads rather than enjoying a good book next a mug of coffee in the afternoon instead they juggled with

ligirofobia fobia a los petardos psicólogos en valencia - Apr 04 2023

web dec 29 2022 algunas personas padecen ligirofobia un miedo persistente e intenso a los sonidos fuertes e inesperados como el ruido de los petardos o de los fuegos

la verdadera realidad sobre la fobia a los petardos y sonidos - Oct 10 2023

las causas de la fobia a los petardos pueden ser diversas aunque en la mayoría de los casos se relacionan con experiencias traumáticas o negativas previas como haber presenciado un accidente con fuegos artificiales o haber sido expuesto a un sonido fuerte que haya causado malestar intenso o daño see more

fobia a los petardos cómo superar el miedo a los - Jun 06 2023

web jun 19 2017 los pacientes con ligirofobia o fonofobia sienten un miedo irracional y desproporcionado ante los ruidos fuertes la explosión de petardos cohetes globos

miedo a los petardos y ruidos fuertes descubre co full pdf - Jan 21 2022

web oct 7 2023 sonidos fuertes síntomas miedo del carlino a los petardos truenos y ruidos fuertes fobia a los globos petardos y sonidos fuertes introduccion miedo a

miedo a los petardos y ruidos fuertes descubre co - Jul 27 2022

web miedo a los petardos y ruidos fuertes descubre co 3 3 supervivencia sandra sánchez calvo nacida en madrid en 1990 apasionada de la lectura escribe su primera

miedo a los petardos hospital veterinario puchol - Oct 30 2022

web feb 19 2023 miedo a los petardos y ruidos fuertes descubre co and numerous ebook collections from fictions to scientific research in any way accompanied by them

si te dan miedo los petardos o cohetes puedes padecer - May 05 2023

web muchos perros tienen miedo a los ruidos fuertes a los petardos o a las tormentas siguiendo algunas indicaciones se puede conseguir mejorar este problema es normal

causa de la fobia a los petardos psicólogos en - Feb 02 2023

web jan 2 2023 las personas que sufren cuando escuchan petardos o fuegos artificiales pueden presentar una fobia o temor a los sonidos fuertes agudos o repentinos y no

miedo a los petardos y ruidos fuertes descubre como he - Nov 18 2021

mÉtodo para calmar el miedo a los petardos y ruidos - Apr 23 2022

web miedo a los petardos y ruidos fuertes descubre co pdf pages 3 21 miedo a los petardos y ruidos fuertes descubre co pdf upload herison x paterson 3 21

miedo a los petardos y ruidos fuertes descubre co pdf copy - Feb 19 2022

web jun 20 2023 sensibilidad al ruido los perros tienen una audición mucho más aguda que los humanos por lo que los ruidos fuertes como los petardos pueden sobresaltarlos

por qué los perros tienen miedo de los petardos y cómo - Dec 20 2021

miedo a los petardos y ruidos fuertes descubre co pdf - Jun 25 2022

web aquí encontrarás un método para desensibilizar a tu perro a los ruidos fuertes como fuegos artificiales tormentas etc hay que trabajar a diario si en tu p

por qué los perros tienen miedo a los petardos la voz de - Mar 23 2022

web miedo a los petardos y ruidos fuertes descubre co 3 3 valiente y emprendedora saldrá adelante con esfuerzo e ingenio no supo como muchos padres de su

cómo combatir el miedo a los ruidos fuertes y a los - Sep 09 2023

el impacto de la fobia a los petardos en la vida cotidiana de quien la padece puede ser significativo limitando su capacidad para disfrutar de actividades see more

miedo a los petardos y ruidos fuertes descubre co 2022 - Aug 28 2022

web oct 29 2023 2 miedo a los petardos y ruidos fuertes descubre co 2022 11 24 identificar los principales trastornos mentales según las características clínicas su

miedo a los petardos y ruidos fuertes descubre - Aug 08 2023

la fobia a los petardos puede manifestarse en diferentes síntomas físicos y emocionales como sudoración excesiva palpitaciones temblores mareo náuseas see more

miedo a los petardos y ruidos fuertes descubre co pdf ftp - May 25 2022

web según varios estudios entre un 53 y un 74 de los perros muestran miedo ante ruidos fuertes petardos o tormentas un miedo que a pesar de ser mucho más habitual de lo

petardos y fuegos artificiales por qué producen pánico en - Nov 30 2022

web miedo a los petardos y ruidos fuertes descubre co recognizing the way ways to get this book miedo a los petardos y ruidos fuertes descubre co is additionally useful

ligirofobia fobia a los ruidos fuertes amparo - Jul 07 2023

el tratamiento de la fobia a los petardos puede incluir terapia cognitivo conductual guiada por un psicólogo profesional y experto en la fobia a los petardos este see more

stilmittel Übungen für den deutschunterricht lehrerfreund - Aug 07 2022

apr 8 2016 stilmittel Übungen für den deutschunterricht einige arbeitsblätter um stilmittel im deutschunterricht zu üben ein Übungstext wo satzweise stilmittel gesucht werden ein zweizeiler mit vielen stilmitteln und ein arbeitsblatt zur analyse der sportpalastrede von goebbels niveau sekundarstufe i und ii

Übungsbuch zu wortschatz und stil mit synonymenverzeichnis - Jun 05 2022

weitere enthält dieses buch einen lösungsschlüssel und ein synonymenverzeichnis mit 2 500 stichwörtern es richtet sich an all jene die ihre sprachliche ausdrucksfähigkeit erweitern und verfeinern wollen sowie auch an deutsch lernende mehr lesen
previous page isbn 10 3851570774 isbn 13 978 3851570779

stil ein lehr und Übungsbuch für den aufsatzunterricht - Nov 10 2022

ein buch aus der unterrichtspraxis für die unterrichtspraxis das einerseits aufsatzformübergreifende andererseits aufsatzformspezifische stil ein lehr und Übungsbuch für den aufsatzunterricht berufs fachschulbücher schule lernen

wikipedia lehrbuch stil und sprache wikibooks - Apr 03 2022

es ist ein sachlicher und nüchterner stil wie er einer enzyklopädie angemessen ist vielleicht kann man sich des stiles am besten bewusst werden indem man ihn von anderen stilen abgrenzt im gegensatz zur alltagssprache muss ein enzyklopädischer stil auf dasjenige verzichten das einen text an ort und zeit bindet

stil ein lehr und Übungsbuch für den aufsatzunterricht von - Feb 13 2023

stil ein lehr und Übungsbuch für den aufsatzunterricht von andreas brück 14 februar 2013 broschiert isbn kostenloser versand für alle bücher mit versand und verkauf duch amazon

textlinguistik und stilistik für einsteiger ein lehr und - May 04 2022

das buch vermittelt grundzüge von text und stilauffassungen und führt in die methodischen grundlagen der text und stilanalyse ein an ausgewählten texten verschiedener kommunikationsbereiche werden unterschiedliche ansätze für text

stil ein lehr und übungsbuch für den aufsatzunterricht by - Oct 09 2022

stil ein lehr und übungsbuch für den aufsatzunterricht by andreas brück karl heinz freudenreich bernadette tormann dudon lehrbuch rechtschreibung bedeutung definition pdf lehr und ubungsbuch der deutschen grammatik lehr und übungsbuch der deutschen grammatik emag ro lehr und

stil ein lehr und Übungsbuch für den aufsatzunterricht brück - Jul 18 2023

stil ein lehr und Übungsbuch für den aufsatzunterricht brück andreas freudenreich karl heinz tormann bernadette amazon com tr kitap

stil ein lehr und ubungsbuch fur den aufsatzunter wef tamu - Apr 15 2023

stil ein lehr und ubungsbuch fur den aufsatzunter is available in our digital library an online access to it is set as public so you can get it instantly our books collection hosts in multiple countries allowing you to get the most less latency time to

amazon de kundenrezensionen stil ein lehr und Übungsbuch für den - Jan 12 2023

finde hilfreiche kundenrezensionen und rezensionsbewertungen für stil ein lehr und Übungsbuch für den aufsatzunterricht auf amazon de lese ehrliche und unvoreingenommene rezensionen von unseren nutzern

[stil ein lehr und ubungsbuch fur den aufsatzunter tim adams](#) - Mar 02 2022

recognizing the habit ways to get this books stil ein lehr und ubungsbuch fur den aufsatzunter is additionally useful you have remained in right site to start getting this info acquire the stil ein lehr und ubungsbuch fur den aufsatzunter link that we provide here and check out the link you could purchase lead stil ein lehr und ubungsbuch

stil ein lehr und ubungsbuch fur den aufsatzunter uniport edu - Feb 01 2022

may 23 2023 stil ein lehr und ubungsbuch fur den aufsatzunter 1 7 downloaded from uniport edu ng on may 23 2023 by guest stil ein lehr und ubungsbuch fur den aufsatzunter recognizing the showing off ways to acquire this books stil ein lehr und ubungsbuch fur den aufsatzunter is additionally useful you have remained in right site to begin getting this

9783808573174 stil ein lehr und Übungsbuch für den - Mar 14 2023

stil ein lehr und Übungsbuch für den aufsatzunterricht finden sie alle bücher von andreas brück karl heinz freudenreich bernadette tormann bei der büchersuchmaschine eurobuch com können sie antiquarische und neubücher vergleichen und sofort zum bestpreis bestellen 9783808573174

stil ein lehr und ubungsbuch fur den aufsatzunter - Sep 08 2022

lehr und Übungsbuch für die rechnererien cbm 2001 und cbm 3001 stil ein lehr und ubungsbuch fur den aufsatzunter downloaded from portal nivbook co il by guest hodges angel funk tanz springer verlag der band liefert eine wissenschaftliche anleitung zur analyse von prosatexten und zur philologischen erkenntnis beginnend beim

amazon de kundenrezensionen stil ein lehr und Übungsbuch für den - Dec 11 2022

finde hilfreiche kundenrezensionen und rezensionsbewertungen für stil ein lehr und Übungsbuch für den aufsatzunterricht von andreas brück 14 februar 2013 broschiert auf amazon de lese ehrliche und unvoreingenommene rezensionen von unseren nutzern

stil ein lehr und Übungsbuch für den aufsatzunterricht - Sep 20 2023

das buch vermittelt wesentliche konzepte und methoden der filmanalyse die dabei helfen die sprache des films zu verstehen und die arbeit mit dem medium auf eine fundierte basis zu stellen dabei werden die erläuterten theoretischen

stil ein lehr und ubungsbuch fur den aufsatzunter pdf - Jul 06 2022

apr 21 2023 stil ein lehr und ubungsbuch fur den aufsatzunter 2 6 downloaded from uniport edu ng on april 21 2023 by guest stilgestalten ulf abraham 1996 01 01 die arbeit hat zwei teile der historische teil gibt einen Überblick über die entwicklung der rede vom stil seit dem ende der aufklärung der systematische

stil ein lehr und Übungsbuch für den aufsatzunterricht - Aug 19 2023

stil ein lehr und Übungsbuch für den aufsatzunterricht brück andreas freudenreich karl heinz tormann bernadette isbn 9783808573174 kostenloser versand für alle bücher mit versand und verkauf duch amazon

ein Lehr und Übungsbuch für den Aufsatzunterricht - May 16 2023

stil ein Lehr und Übungsbuch für den Aufsatzunterricht Verlag Europa Lehrmittel Nourney Vollmer GmbH & Co. KG Düsseldorf
Straße 23 42781 Haan Grütten Europa Nr. 73174 73174 01 72 180113 InDd 1 21 01 13 09 15 2 Autoren Andreas Brück

stil ein Lehr und Übungsbuch für den Aufsatzunter Tim Adams - Jun 17 2023

stil ein Lehr und Übungsbuch für den Aufsatzunter is available in our digital library an online access to it is set as public so you can get it instantly our books collection hosts in multiple locations allowing you to get the most less latency time to download any of our books like this one kindly say the stil ein Lehr und Übungsbuch für