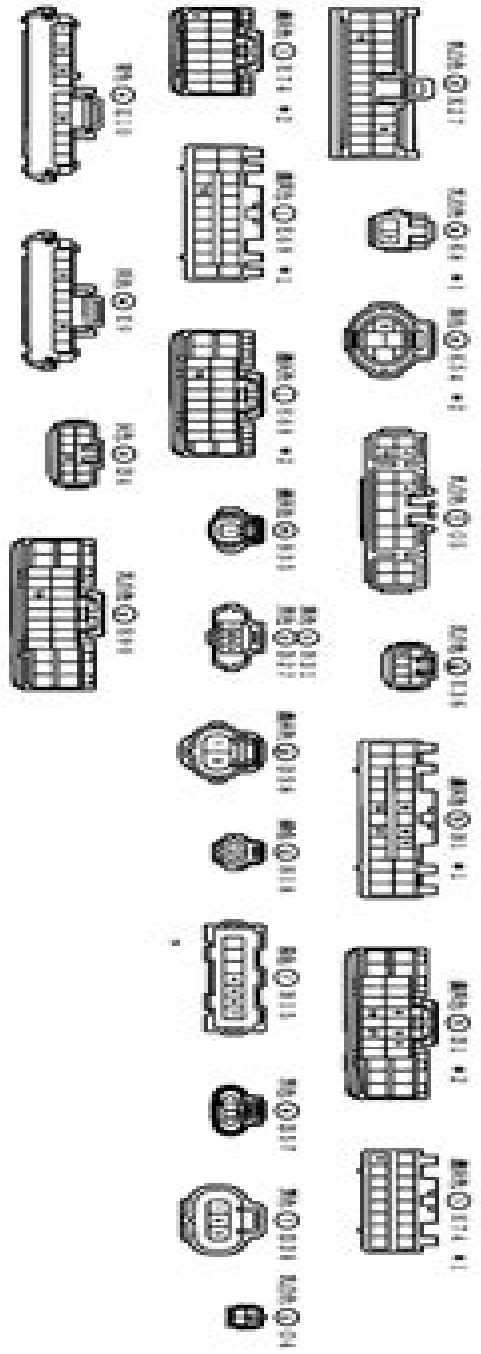
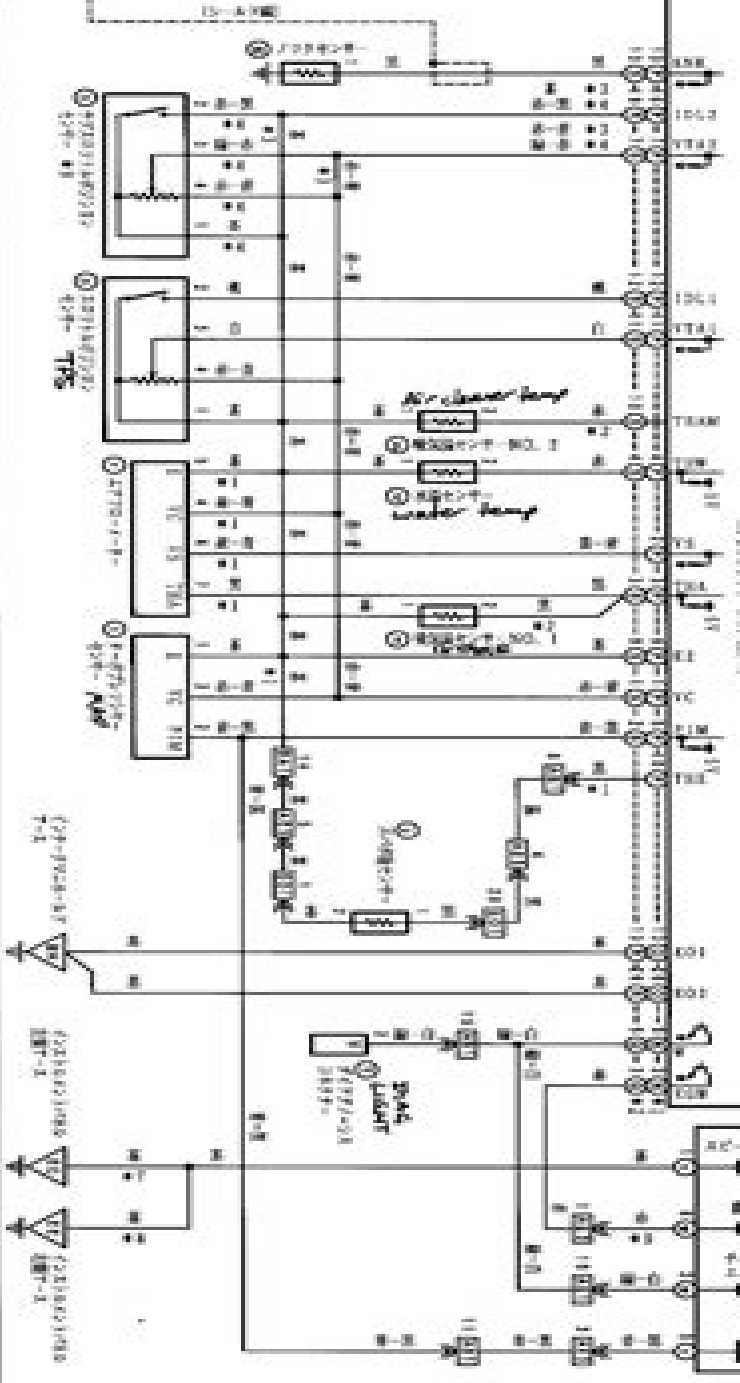
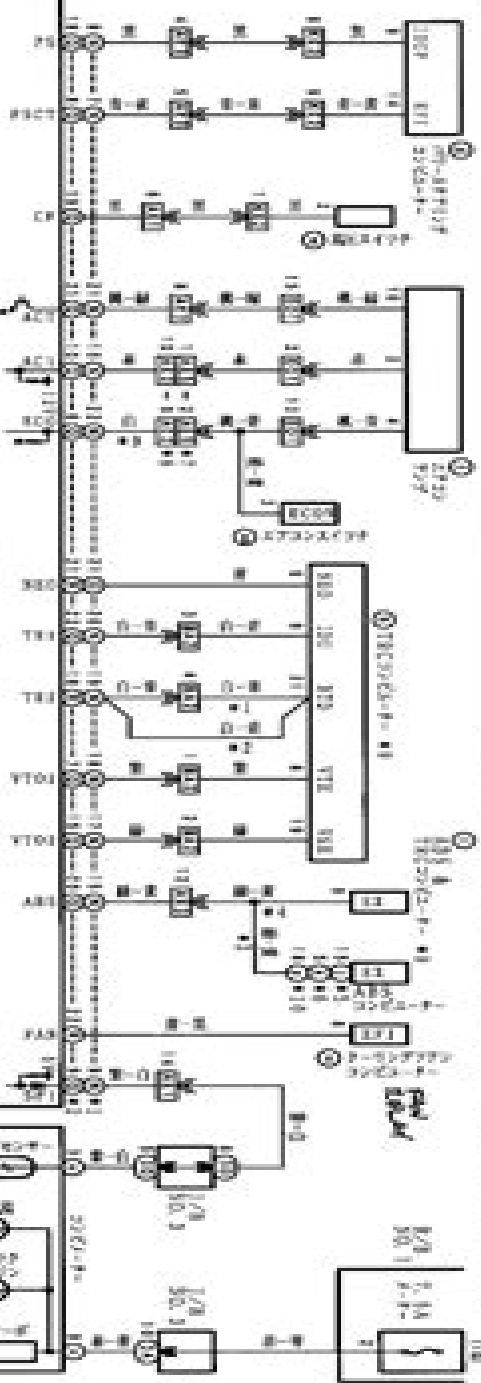


# エンジンコントロール (3S-GTE)

1987-1988 1989-1990 1991-1992 1993-1994 1995-1996



# 3s Engine Wiring

**Christian Drosten**



## **3s Engine Wiring:**

## Decoding **3s Engine Wiring**: Revealing the Captivating Potential of Verbal Expression

In a time characterized by interconnectedness and an insatiable thirst for knowledge, the captivating potential of verbal expression has emerged as a formidable force. Its ability to evoke sentiments, stimulate introspection, and incite profound transformations is genuinely awe-inspiring. Within the pages of "**3s Engine Wiring**," a mesmerizing literary creation penned by a celebrated wordsmith, readers attempt an enlightening odyssey, unraveling the intricate significance of language and its enduring effect on our lives. In this appraisal, we shall explore the book's central themes, evaluate its distinctive writing style, and gauge its pervasive influence on the hearts and minds of its readership.

<https://py.bijouxmedusa.com/public/browse/Documents/jane%20rice%20medical%20terminology%207th%20edition.pdf>

### **Table of Contents 3s Engine Wiring**

1. Understanding the eBook 3s Engine Wiring
  - The Rise of Digital Reading 3s Engine Wiring
  - Advantages of eBooks Over Traditional Books
2. Identifying 3s Engine Wiring
  - Exploring Different Genres
  - Considering Fiction vs. Non-Fiction
  - Determining Your Reading Goals
3. Choosing the Right eBook Platform
  - Popular eBook Platforms
  - Features to Look for in an 3s Engine Wiring
  - User-Friendly Interface
4. Exploring eBook Recommendations from 3s Engine Wiring
  - Personalized Recommendations
  - 3s Engine Wiring User Reviews and Ratings
  - 3s Engine Wiring and Bestseller Lists

5. Accessing 3s Engine Wiring Free and Paid eBooks
  - 3s Engine Wiring Public Domain eBooks
  - 3s Engine Wiring eBook Subscription Services
  - 3s Engine Wiring Budget-Friendly Options
6. Navigating 3s Engine Wiring eBook Formats
  - ePub, PDF, MOBI, and More
  - 3s Engine Wiring Compatibility with Devices
  - 3s Engine Wiring Enhanced eBook Features
7. Enhancing Your Reading Experience
  - Adjustable Fonts and Text Sizes of 3s Engine Wiring
  - Highlighting and Note-Taking 3s Engine Wiring
  - Interactive Elements 3s Engine Wiring
8. Staying Engaged with 3s Engine Wiring
  - Joining Online Reading Communities
  - Participating in Virtual Book Clubs
  - Following Authors and Publishers 3s Engine Wiring
9. Balancing eBooks and Physical Books 3s Engine Wiring
  - Benefits of a Digital Library
  - Creating a Diverse Reading Collection 3s Engine Wiring
10. Overcoming Reading Challenges
  - Dealing with Digital Eye Strain
  - Minimizing Distractions
  - Managing Screen Time
11. Cultivating a Reading Routine 3s Engine Wiring
  - Setting Reading Goals 3s Engine Wiring
  - Carving Out Dedicated Reading Time
12. Sourcing Reliable Information of 3s Engine Wiring
  - Fact-Checking eBook Content of 3s Engine Wiring
  - Distinguishing Credible Sources
13. Promoting Lifelong Learning

- 
- Utilizing eBooks for Skill Development
  - Exploring Educational eBooks
14. Embracing eBook Trends
- Integration of Multimedia Elements
  - Interactive and Gamified eBooks

### **3s Engine Wiring Introduction**

3s Engine Wiring Offers over 60,000 free eBooks, including many classics that are in the public domain. Open Library: Provides access to over 1 million free eBooks, including classic literature and contemporary works. 3s Engine Wiring Offers a vast collection of books, some of which are available for free as PDF downloads, particularly older books in the public domain. 3s Engine Wiring : This website hosts a vast collection of scientific articles, books, and textbooks. While it operates in a legal gray area due to copyright issues, its a popular resource for finding various publications. Internet Archive for 3s Engine Wiring : Has an extensive collection of digital content, including books, articles, videos, and more. It has a massive library of free downloadable books. Free-eBooks 3s Engine Wiring Offers a diverse range of free eBooks across various genres. 3s Engine Wiring Focuses mainly on educational books, textbooks, and business books. It offers free PDF downloads for educational purposes. 3s Engine Wiring Provides a large selection of free eBooks in different genres, which are available for download in various formats, including PDF. Finding specific 3s Engine Wiring, especially related to 3s Engine Wiring, might be challenging as theyre often artistic creations rather than practical blueprints. However, you can explore the following steps to search for or create your own Online Searches: Look for websites, forums, or blogs dedicated to 3s Engine Wiring, Sometimes enthusiasts share their designs or concepts in PDF format. Books and Magazines Some 3s Engine Wiring books or magazines might include. Look for these in online stores or libraries. Remember that while 3s Engine Wiring, sharing copyrighted material without permission is not legal. Always ensure youre either creating your own or obtaining them from legitimate sources that allow sharing and downloading. Library Check if your local library offers eBook lending services. Many libraries have digital catalogs where you can borrow 3s Engine Wiring eBooks for free, including popular titles. Online Retailers: Websites like Amazon, Google Books, or Apple Books often sell eBooks. Sometimes, authors or publishers offer promotions or free periods for certain books. Authors Website Occasionally, authors provide excerpts or short stories for free on their websites. While this might not be the 3s Engine Wiring full book , it can give you a taste of the authors writing style. Subscription Services Platforms like Kindle Unlimited or Scribd offer subscription-based access to a wide range of 3s Engine Wiring eBooks, including some popular titles.

---

## FAQs About 3s Engine Wiring Books

How do I know which eBook platform is the best for me? Finding the best eBook platform depends on your reading preferences and device compatibility. Research different platforms, read user reviews, and explore their features before making a choice. Are free eBooks of good quality? Yes, many reputable platforms offer high-quality free eBooks, including classics and public domain works. However, make sure to verify the source to ensure the eBook credibility. Can I read eBooks without an eReader? Absolutely! Most eBook platforms offer web-based readers or mobile apps that allow you to read eBooks on your computer, tablet, or smartphone. How do I avoid digital eye strain while reading eBooks? To prevent digital eye strain, take regular breaks, adjust the font size and background color, and ensure proper lighting while reading eBooks. What the advantage of interactive eBooks? Interactive eBooks incorporate multimedia elements, quizzes, and activities, enhancing the reader engagement and providing a more immersive learning experience. 3s Engine Wiring is one of the best book in our library for free trial. We provide copy of 3s Engine Wiring in digital format, so the resources that you find are reliable. There are also many Ebooks of related with 3s Engine Wiring. Where to download 3s Engine Wiring online for free? Are you looking for 3s Engine Wiring PDF? This is definitely going to save you time and cash in something you should think about.

### Find 3s Engine Wiring :

[jane rice medical terminology 7th edition](#)

[introduction to psycholinguistics understanding language science](#)

[introduction to wireless and mobile systems solution manual pdf](#)

**introductory circuit analysis 13th edition**

**iupac nomenclature practice problems answers**

*jis k 7105 jis k 7136*

**iso 8573 42001 compressed air part 4 test methods for solid particle content**

[jasprit singh optoelectronics](#)

**jcb 3dx price**

[jis jis g 4051 2005 s45c s50c](#)

[jazz the ultimate](#)

[japanese adverbs list](#)

[introduction to reliability engineering](#)

---

**jis b 7515**

**iso 27001 information security standard gap analysis**

### **3s Engine Wiring :**

[past year papers exam mate](#) - Aug 04 2022

web exam mate is an exam preparation tool containing a bank of igcse a level ib aqa and ocr topical questions and yearly past papers exams with exam mate you are able to build online exams easily using our question bank database

[pearson edexcel gcse 9 1 mathematics resources](#) - Jul 15 2023

web the enhanced tiering support for pearson edexcel gcse 9 1 mathematics provides several tools to help you determine a suitable tier of entry for mock examinations the enhanced tiering support comprises tiering guidance to show the key differences in content and assessment between the two tiers

[pearson edexcel further maths past paper revision maths](#) - Jan 29 2022

web you can download the pearson edexcel further maths a level past papers and marking schemes by clicking on the links below november 2021 pearson edexcel a level further maths past papers 9fm0 a level paper 1 core pure mathematics 1 9fm0 01 download paper download mark scheme a level paper 2 core pure mathematics

[edexcel gcse maths 9 1 revision worksheets past papers examqa](#) - Jun 02 2022

web free gcse maths revision materials grade 9 1 gcse maths worksheets past papers and practice papers for edexcel aqa and ocr

**maths genie edexcel gcse maths past papers mark** - Feb 10 2023

web maths gcse past papers foundation and higher for the edexcel exam board with mark schemes grade boundaries model answers and video solutions

[pearson edexcel past papers xtrapapers](#) - Mar 11 2023

web pearson edexcel past papers mark schemes and all examination materials are here on xtrapapers updated regularly

**edexcel gcse maths past papers save my exams** - Sep 05 2022

web browse our range of edexcel gcse maths past papers 1ma1 below testing yourself with gcse maths past papers is a great way to identify which topics need more revision so you can ensure that you are revising as effectively as possible to help you get ready for your gcse maths exam

[pearson edexcel a level maths past papers revision maths](#) - Feb 27 2022

web pearson edexcel a level maths 9ma0 and as maths 8ma0 past exam papers pearson edexcel exam papers are provided for pure mathematics and mechanics statistics you can download the pearson edexcel maths a level past papers and marking

schemes by clicking on the links below

[edexcel gcse maths past papers revision maths](#) - Apr 12 2023

web pearson edexcel gcse maths past exam papers and marking schemes for gcse 9 1 in mathematics 1ma1 and prior to 2017 mathematics a and mathematics b syllabuses the past papers are free to download for you to use as practice for your exams

**gcse maths edexcel bbc bitesize** - Mar 31 2022

web easy to understand homework and revision materials for your gcse maths edexcel 9 1 studies and exams

*edexcel gcse maths past papers edexcel mark schemes* - Nov 07 2022

web edexcel gcse mathematics 9 1 new spec edexcel gcse past papers june 2022 edexcel gcse past papers november 2021

[edexcel international lower secondary curriculum mathematics](#) - Jun 14 2023

web paper reference turn over edexcel plsc plsc02 mathematics year 9 achievement test sample assessment material time 1 hour 20 minutes you do not need any other materials instructions use black ink or ball point pen fill in the boxes at the top of this page with your name centre number and candidate number answer all questions

**edexcel maths as level past papers pmt physics maths tutor** - Dec 28 2021

web book tutor you can find all edexcel maths as level 8ma0 past papers and mark schemes as well as selected model answers below you can also find iygb naikermaths and old spec papers on this page

**pearson edexcel ilowersecondary curriculum** - May 13 2023

web pearson edexcel ilowersecondary is a complete programme for children aged 11 14 taking english mathematics science computing and global citizenship in international schools

**past papers past exam papers pearson qualifications** - Aug 16 2023

web past papers our easy to use past paper search gives you instant access to a large library of past exam papers and mark schemes they re available free to teachers and students although only teachers can access the most recent papers sat within the past 12 months what past papers are available when and to whom

**edexcel past papers edexcel mark schemes exam solutions** - Jul 03 2022

web edexcel past papers edexcel past papers and mark schemes can be accessed via this dedicated page you can also find edexcel past paper exam solutions this is where you find all the papers for the edexcel exam board for both gcse and a level exams

*gcse maths past papers revision maths* - Dec 08 2022

web home gcse maths gcse maths past papers this section includes recent gcse maths past papers from aqa edexcel eduqas ocr wjec ccea and the cie igcse this section also includes sqa national 5 maths past papers if you are not sure which exam board you are studying ask your teacher

---

**pearson edexcel igcse maths past papers revision maths** - Oct 06 2022

web pearson edexcel igcse maths past papers pearson edexcel igcse maths a and maths b exam past papers pearson edexcel international gcse past papers 4ma1 and 4mb1 you can download the papers and

edexcel maths a level papers pmt physics maths tutor - May 01 2022

web you can find all edexcel maths a level 9ma0 past papers and mark schemes as well as selected model answers and video solutions below you can also find iygb naikermaths and old spec papers on this page

**year 9 eoy smlmaths** - Jan 09 2023

web y9 eoy assessment paper 1 non calculator thursday 13th june paper 2 calculator new date friday 21st june both papers may include any content from units 1 10 paper 1 solutions paper 2 solutions selection of calculator

*cornerstones of financial accounting 2nd edition solutions* - Jan 28 2022

web 2 cornerstones of financial accounting 2nd edition solutions 2021 01 17 edition delivers a unique learning system that is integrated throughout the introductory

**solutions manual for stickney weil s financial accounting an** - Aug 15 2023

web aug 28 2006 solutions manual for stickney weil s financial accounting an introduction to concepts methods and uses 12th 9780324382020 economics books

**what does stickney mean definitions net** - Sep 23 2021

web definition of stickney in the definitions net dictionary meaning of stickney what does stickney mean information and translations of stickney in the most comprehensive

fundamental financial accounting concepts 7th edition solution - Jul 02 2022

web fa1 introduction to financial accounting finance accounting basics understanding financial statements and accounting crash course entrepreneurship

**solution manual for financial accounting stickney by n387 issuu** - Sep 04 2022

web jan 15 2018 the following document discuss about the topic of solution manual for financial accounting stickney along with all the sustaining tips and details

best financial accounting courses certifications 2023 - Dec 27 2021

web learn financial accounting or improve your skills online today choose from a wide range of financial accounting courses offered from top universities and industry leaders our

**financial accounting an introduction to concepts methods and** - Nov 06 2022

web financial accounting an introduction to concepts methods and uses solutions manual 1991 clyde p stickney roman l weil sidney davidson 0155275062

---

*books by clyde p stickney author of financial accounting - Dec 07 2022*

web clyde p stickney has 30 books on goodreads with 574 ratings clyde p stickney s most popular book is financial accounting an introduction to concepts

**financial accounting an introduction to concepts methods and** - Jun 01 2022

web buy financial accounting an introduction to concepts methods and uses 13th edition 9780324651140 by stickney weil francis and schipper for up to 90 off at

**solutions manual for stickney weil s financial** - Feb 09 2023

web solutions manual for stickney weil s financial accounting an introduction to concepts methods and uses 12th clyde p stickney roman l weil 3 75 4 ratings0 reviews

*ms in finance Istanbul* - Mar 30 2022

web ms in finance objectives this program makes students more marketable for finance careers students learn the quantitative skills required to analyze financial information

financial accounting an introduction to concepts methods - Feb 26 2022

web financial accounting an introduction to concepts methods and uses student solutions manual clyde p stickney *turkey could part ways with eu if necessary erdogan says* - Nov 25 2021

web 10 hours ago the most comprehensive solution to manage all your complex and ever expanding tax and compliance needs checkpoint opens new tab the industry leader

*solution manual for financial accounting stickney issuu* - Aug 03 2022

web feb 15 2018 read solution manual for financial accounting stickney by uacro415 on issuu and browse thousands of other publications on our platform start here

*solutions manual to accompany financial accounting archive org* - Jun 13 2023

web solutions manual to accompany financial accounting an introduction to concepts methods and uses by stickney clyde p 1944

**solution manual for financial accounting an introduction to** - May 12 2023

web solution manual for financial accounting an introduction to concepts methods and uses 13th edition by stickney free download as word doc doc pdf file pdf text file

solutions manual financial accounting an introduction to - Jul 14 2023

web solutions manual financial accounting an introduction to concepts methods and uses eleventh edition stickney clyde p 1944 free download borrow and streaming

*solutions manual for stickney weil schipper francis financial* - Jan 08 2023

---

web feb 25 2009 coupon rent solutions manual for stickney weil schipper francis financial accounting an introduction to concepts methods and uses 13th edition

**francis financial accounting an introduction to concepts** - Apr 30 2022

web nov 17 2021 francis financial accounting an introduction to concepts methods and uses jennifer francis 1 of 5 stars 2 of 5 stars 3 of 5 stars 4 of 5 stars 5 of 5 stars 6

**student solutions manual for weil schipper francis financial** - Apr 11 2023

web feb 6 2013 student solutions manual for weil schipper francis financial accounting an introduction to concepts methods and uses katherine schipper clyde p stickney

sticky financial definition of sticky financial dictionary - Oct 25 2021

web a sticky plant isn't a dead end for all insects some actually prefer sticky plants and take advantage of the difficult plant surface said peter nelson an nc state ph d

**student solutions manual for** - Mar 10 2023

web mar 6 2009 student solutions manual for stickney weil schipper francis financial accounting an introduction to concepts methods and uses 9780324789003

**student solutions manual for stickney weil s financial** - Aug 23 2021

web jan 7 2005 student solutions manual for stickney weil s financial accounting introduction to concepts methods and uses business school edition 11th

*financial accounting stickney 9780030269684* - Oct 05 2022

web aug 23 1999 with its widely popular conceptual approach this classic textbook has been revised in full color and will continue to be the leader in its field the text incorporates

rhymes for class1 first prize poem in school recitation - Apr 30 2022

web nov 20 2021 english poem recitation competition poem recitation is a mode of expression a medium to reflect the latent talents of children noida november 20

**english poem recitation competition first prize rhyme** - Sep 04 2022

web kids competition presents english poems videos with action for small kids of preschool playgroup nursery kg uk g class i ii and classes theses english poem with

english recitation competition on nature environment poem - Aug 03 2022

web dec 2021 english poem recitation competition poetry on india for class 5 6 7 8 in school competition english recitation competition prize winner poetry on india for

**easy poem for poem recitation competition for small kids with** - Jan 08 2023

---

web jul 18 2020 poem on save environment and nature for kids for english recitation competition best poem to describe nature and environment for kids this is a prize

**class2 poems english poems recitation for class2 kids** - Dec 27 2021

**these 7 tips can help your child to win a poetry planetspark** - Oct 05 2022

web category class 1 poems for class1 children kids competition showcase rhymes for class1 with actions class1 children rhymes are somewhat lengthy as compared to

**english poems with action popular rhymes for kids kids** - Mar 30 2022

*best poem for english poem recitation competition youtube* - Jun 01 2022

web kids competition showcase rhymes for class2 with actions class2 children rhymes are somewhat lengthy as compared to class1 rhymes these class2 poems are also helpful

english poems with action popular rhymes for kids kids - Feb 26 2022

*a guide to choosing the best english poems for* - Apr 11 2023

web best poems for recitation competition a dog is a dog by t s eliot a lecture upon the shadow by john donne across the bay by donald davie drinking alone in the

**top english poems for recitation elmens** - Dec 07 2022

web hall of fame being brave at night dirty face friends listen to the mustnts now we are six picture books sick singing the rainbow the swing having a collection of

24 short english poems for kids class 1 to 7th - Aug 15 2023

web short poems for kids easy to memorise and enjoyable to read short poems are the perfect literacy advantage your child needs short poems help your child understand

**english poems for kids rhymeslyrics com 1 best source of** - Jul 02 2022

web these class4 poems are also helpful for english poem recitation competition in school they are all the prize winner poems in school competition to make the child

**english poem recitation competition apeejay school noida** - Nov 25 2021

**english poems for recitation competition for jr sr kg youtube** - Feb 09 2023

web poem on save girl child for kids for english recitation competition for small kids with actions english poem for recitation

competition for nursery prep lkg ukg class 1

**best poems for recitation competition 100 best poems** - Nov 06 2022

web mar 18 2022 inspirational poem by douglas malloch one of the best poems for english poem recitation competition for all age groups recited by akshita

**10 of the best poems to recite and read aloud** - May 12 2023

web feb 19 2021 english poems for poem recitation competition for small kids with action and lyrics my other family channel where you can see my day to day life videos

**class4 poems english poem recitation competition class4** - Jan 28 2022

*61 of the best famous poems for children poems* - Sep 16 2023

web 1 sick by shel silverstein famous poem top 100 56 when children don t want to do something they come up with every excuse they can think of to get out of it there are

*26 short english poems for kids to recite and memorize* - Jun 13 2023

web apr 16 2020 75 2k subscribers 143k views 3 years ago kids competition presents videos that helps jr and sr kg kids to perform best in english poem recitation competition in school this video

**12 short english poems for kids poetry recitation** - Jul 14 2023

web poems do you like listening to poems listening to poems is a great way to improve your pronunciation and think about different topics listen to poems check your

**poems learnenglish kids** - Mar 10 2023

web jun 8 2020 book a free session now benefits of english poem recitation some of the benefits of english poem recitation are as follows develop rhythm participating in