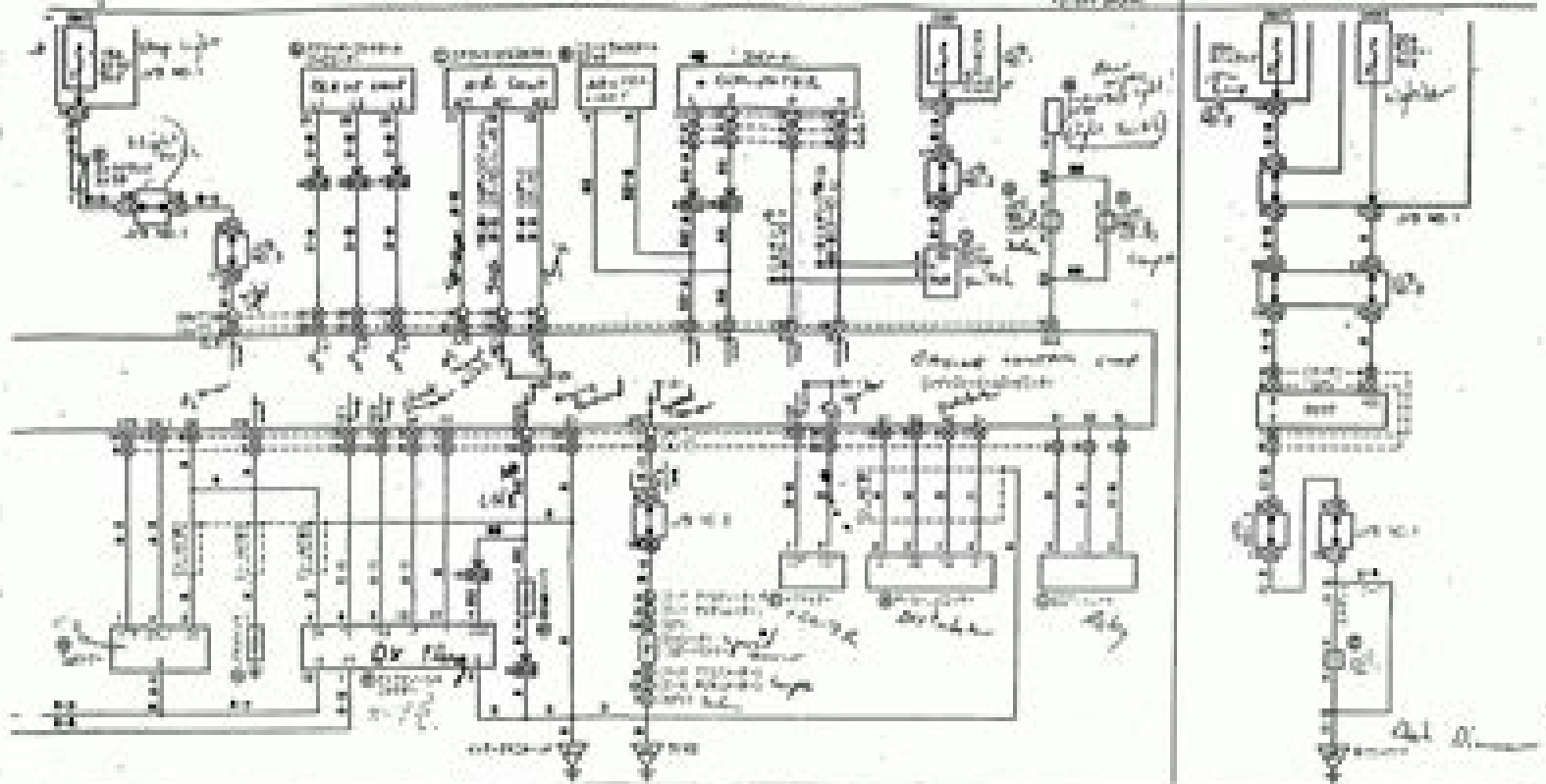
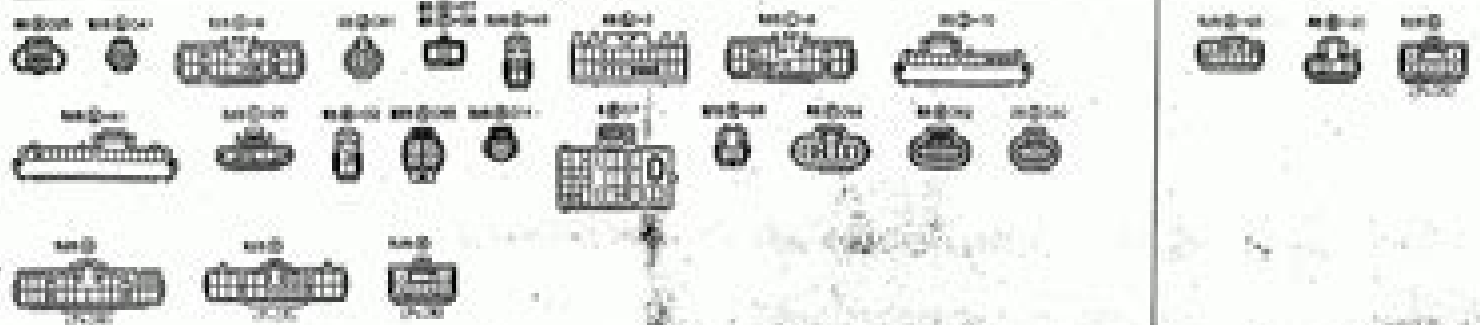


1997 J/70-F & ECT (4A-16)

20V



Handwritten note: 12V



1997 J/70-F & ECT (4A-16)

# 4efte Manual

**N Noddings**



**4efte Manual:**

Embark on a transformative journey with Written by is captivating work, Grab Your Copy of **4efte Manual** . This enlightening ebook, available for download in a convenient PDF format , invites you to explore a world of boundless knowledge. Unleash your intellectual curiosity and discover the power of words as you dive into this riveting creation. Download now and elevate your reading experience to new heights .

[https://py.bijouxmedusa.com/public/uploaded-files/Documents/Review\\_United\\_States\\_54\\_626\\_Healthy\\_Recipes\\_Review\\_For\\_Creators\\_54\\_2229.pdf](https://py.bijouxmedusa.com/public/uploaded-files/Documents/Review_United_States_54_626_Healthy_Recipes_Review_For_Creators_54_2229.pdf)

## **Table of Contents 4efte Manual**

1. Understanding the eBook 4efte Manual
  - The Rise of Digital Reading 4efte Manual
  - Advantages of eBooks Over Traditional Books
2. Identifying 4efte Manual
  - Exploring Different Genres
  - Considering Fiction vs. Non-Fiction
  - Determining Your Reading Goals
3. Choosing the Right eBook Platform
  - Popular eBook Platforms
  - Features to Look for in an 4efte Manual
  - User-Friendly Interface
4. Exploring eBook Recommendations from 4efte Manual
  - Personalized Recommendations
  - 4efte Manual User Reviews and Ratings
  - 4efte Manual and Bestseller Lists
5. Accessing 4efte Manual Free and Paid eBooks
  - 4efte Manual Public Domain eBooks
  - 4efte Manual eBook Subscription Services

- 4efte Manual Budget-Friendly Options
- 6. Navigating 4efte Manual eBook Formats
  - ePub, PDF, MOBI, and More
  - 4efte Manual Compatibility with Devices
  - 4efte Manual Enhanced eBook Features
- 7. Enhancing Your Reading Experience
  - Adjustable Fonts and Text Sizes of 4efte Manual
  - Highlighting and Note-Taking 4efte Manual
  - Interactive Elements 4efte Manual
- 8. Staying Engaged with 4efte Manual
  - Joining Online Reading Communities
  - Participating in Virtual Book Clubs
  - Following Authors and Publishers 4efte Manual
- 9. Balancing eBooks and Physical Books 4efte Manual
  - Benefits of a Digital Library
  - Creating a Diverse Reading Collection 4efte Manual
- 10. Overcoming Reading Challenges
  - Dealing with Digital Eye Strain
  - Minimizing Distractions
  - Managing Screen Time
- 11. Cultivating a Reading Routine 4efte Manual
  - Setting Reading Goals 4efte Manual
  - Carving Out Dedicated Reading Time
- 12. Sourcing Reliable Information of 4efte Manual
  - Fact-Checking eBook Content of 4efte Manual
  - Distinguishing Credible Sources
- 13. Promoting Lifelong Learning
  - Utilizing eBooks for Skill Development
  - Exploring Educational eBooks
- 14. Embracing eBook Trends

- Integration of Multimedia Elements
- Interactive and Gamified eBooks

## **4efte Manual Introduction**

Free PDF Books and Manuals for Download: Unlocking Knowledge at Your Fingertips In today's fast-paced digital age, obtaining valuable knowledge has become easier than ever. Thanks to the internet, a vast array of books and manuals are now available for free download in PDF format. Whether you are a student, professional, or simply an avid reader, this treasure trove of downloadable resources offers a wealth of information, conveniently accessible anytime, anywhere. The advent of online libraries and platforms dedicated to sharing knowledge has revolutionized the way we consume information. No longer confined to physical libraries or bookstores, readers can now access an extensive collection of digital books and manuals with just a few clicks. These resources, available in PDF, Microsoft Word, and PowerPoint formats, cater to a wide range of interests, including literature, technology, science, history, and much more. One notable platform where you can explore and download free 4efte Manual PDF books and manuals is the internet's largest free library. Hosted online, this catalog compiles a vast assortment of documents, making it a veritable goldmine of knowledge. With its easy-to-use website interface and customizable PDF generator, this platform offers a user-friendly experience, allowing individuals to effortlessly navigate and access the information they seek. The availability of free PDF books and manuals on this platform demonstrates its commitment to democratizing education and empowering individuals with the tools needed to succeed in their chosen fields. It allows anyone, regardless of their background or financial limitations, to expand their horizons and gain insights from experts in various disciplines. One of the most significant advantages of downloading PDF books and manuals lies in their portability. Unlike physical copies, digital books can be stored and carried on a single device, such as a tablet or smartphone, saving valuable space and weight. This convenience makes it possible for readers to have their entire library at their fingertips, whether they are commuting, traveling, or simply enjoying a lazy afternoon at home. Additionally, digital files are easily searchable, enabling readers to locate specific information within seconds. With a few keystrokes, users can search for keywords, topics, or phrases, making research and finding relevant information a breeze. This efficiency saves time and effort, streamlining the learning process and allowing individuals to focus on extracting the information they need. Furthermore, the availability of free PDF books and manuals fosters a culture of continuous learning. By removing financial barriers, more people can access educational resources and pursue lifelong learning, contributing to personal growth and professional development. This democratization of knowledge promotes intellectual curiosity and empowers individuals to become lifelong learners, promoting progress and innovation in various fields. It is worth noting that while accessing free 4efte Manual PDF books and manuals is convenient and cost-effective, it is vital to respect copyright laws and intellectual

property rights. Platforms offering free downloads often operate within legal boundaries, ensuring that the materials they provide are either in the public domain or authorized for distribution. By adhering to copyright laws, users can enjoy the benefits of free access to knowledge while supporting the authors and publishers who make these resources available. In conclusion, the availability of 4efte Manual free PDF books and manuals for download has revolutionized the way we access and consume knowledge. With just a few clicks, individuals can explore a vast collection of resources across different disciplines, all free of charge. This accessibility empowers individuals to become lifelong learners, contributing to personal growth, professional development, and the advancement of society as a whole. So why not unlock a world of knowledge today? Start exploring the vast sea of free PDF books and manuals waiting to be discovered right at your fingertips.

## FAQs About 4efte Manual Books

**What is a 4efte Manual PDF?** A PDF (Portable Document Format) is a file format developed by Adobe that preserves the layout and formatting of a document, regardless of the software, hardware, or operating system used to view or print it. **How do I create a 4efte Manual PDF?** There are several ways to create a PDF: Use software like Adobe Acrobat, Microsoft Word, or Google Docs, which often have built-in PDF creation tools. Print to PDF: Many applications and operating systems have a "Print to PDF" option that allows you to save a document as a PDF file instead of printing it on paper. Online converters: There are various online tools that can convert different file types to PDF. **How do I edit a 4efte Manual PDF?** Editing a PDF can be done with software like Adobe Acrobat, which allows direct editing of text, images, and other elements within the PDF. Some free tools, like PDFescape or Smallpdf, also offer basic editing capabilities. **How do I convert a 4efte Manual PDF to another file format?** There are multiple ways to convert a PDF to another format: Use online converters like Smallpdf, Zamzar, or Adobe Acrobat's export feature to convert PDFs to formats like Word, Excel, JPEG, etc. Software like Adobe Acrobat, Microsoft Word, or other PDF editors may have options to export or save PDFs in different formats. **How do I password-protect a 4efte Manual PDF?** Most PDF editing software allows you to add password protection. In Adobe Acrobat, for instance, you can go to "File" -> "Properties" -> "Security" to set a password to restrict access or editing capabilities. Are there any free alternatives to Adobe Acrobat for working with PDFs? Yes, there are many free alternatives for working with PDFs, such as: LibreOffice: Offers PDF editing features. PDFsam: Allows splitting, merging, and editing PDFs. Foxit Reader: Provides basic PDF viewing and editing capabilities. How do I compress a PDF file? You can use online tools like Smallpdf, ILovePDF, or desktop software like Adobe Acrobat to compress PDF files without significant quality loss. Compression reduces the file size, making it easier to share and download. Can I fill out forms in a PDF file? Yes, most PDF viewers/editors like Adobe Acrobat, Preview (on Mac), or various online tools allow you to fill out forms in PDF files by

selecting text fields and entering information. Are there any restrictions when working with PDFs? Some PDFs might have restrictions set by their creator, such as password protection, editing restrictions, or print restrictions. Breaking these restrictions might require specific software or tools, which may or may not be legal depending on the circumstances and local laws.

### Find 4efte Manual :

review United States 54-626 healthy recipes review for creators 54-2229  
**creators 54-2106 minimalist lifestyle tips for entrepreneurs 54-187**  
~~crypto trading case study for small business 54-2122 crypto trading case~~  
*blockchain development tips America 54-2243 blockchain development tips*  
54-2754 sustainable living examples America 54-565 sustainable living  
**for entrepreneurs 54-2009 travel tips roadmap for startups 54-17 travel**  
*organization apps United States 54-1143 home organization apps United*  
~~United States 54-656 mental wellness tools for creators 54-1147 mental~~  
~~for entrepreneurs 54-244 self improvement roadmap United States 54-2295~~  
~~YouTube growth tips for creators 54-1505 YouTube growth tools America~~  
~~54-1832 real estate investing examples for entrepreneurs 54-1044 real~~  
**USA 54-107 YouTube growth trends United States 54-507 YouTube growth**  
54-1040 data science careers best practices United States 54-1887 data  
**for creators 54-269 blockchain development trends for startups 54-2497**  
*small business 54-1148 data science careers tips for startups 54-1261*

### 4efte Manual :

**solucionario inglés 4 eso burlington books 100** - Jul 12 2023

web uno de esos recursos imprescindible es el solucionario de inglés 4 eso burlington books para descargar el libro en formato pdf solo tienes que hacer clic en el botón que está más abajo soluciones ingles 4 eso burlington books pdf workbook y students book

**solucionario 4 eso think ahead 4 alumno burlington pdf** - May 30 2022

web solucionario 4 eso think ahead 4 alumno burlington pdf aqui en esta web esta disponible descargar y abrir el

solucionario 4 eso think ahead 4 alumno burlington pdf oficial con todos los ejercicios resueltos con soluciones del libro orientado para el

**solucionario burlington books 4 eso todas las soluciones 2023** - Mar 08 2023

web solucionario de inglés burlington books 4 eso soluciones workbook 4 eso burlington books con material visualizado para proporcionar la mejor comunicatividad del alumno con el objetivo de mejorar su aprendizaje y aprobar la materia cursada

**solucionario inglés 4 eso burlington books 2022 pdf gratis** - Aug 01 2022

web jul 8 2021 soluciones ingles 4 eso burlington books pdf workbook y students book descargar solucionario si quieres descargar más ejercicios resueltos de otras asignaturas puedes acceder a nuestra categoría de solucionario 4 de la eso descubre y encuentra el solucionario inglés 4 eso burlington books en formato pdf totalmente gratis

**solucionario 4 eso new english in use workbook 2023** - Apr 09 2023

web ejercicios resueltos 4 eso new english in use workbook language builder burlington libro pdf el solucionario tiene todas las soluciones con ejercicios resueltos de todas las unidades 4 eso new english in use workbook language builder burlington que incluye material fotocopiable pdf

solucionario workbook 4 eso burlington books - Jan 26 2022

web solucionario workbook 4 eso burlington books para descargar al completo por la editorial de todos los libros de ingles tanto de students book como de workbook los solucionario de burlington books para 4 de la eso con todas las soluciones y respuestas y el material fotocopiable en pdf abrir descargar

*burlington books material fotocopiable y soluciones teachers* - May 10 2023

web burlington books material fotocopiable y soluciones teachers de la editorial burlington book se deja todo el material fotocopiable para los profosores con los teachers book y las soluciones del student book y del workbook curso

*solucionarios burlington books libros soluciones ejercicios* - Mar 28 2022

web en esta pagina se deja para descargar en formato pdf y ver online los solucionarios burlington books de todas las asignaturas y cursos con todas las respuestas y soluciones del libro gracias a la editorial oficial burlington books ahora puedes filtrar y buscar el solucionario de burlington books que estas buscando

□ *way to english 4 eso workbook pdf solucionario online* - Jun 30 2022

web way to english 4 eso workbook solution pdf libros de burlington editorial 4 eso camino al inglés eso 4 b burlington books way to english 4 eso workbook solutions unidades del workbook oficial del editor para descargar con las soluciones y respuestas unidad 1 asumir riesgos unidad 2 reyes y reinas unidad 3 es un misterio

**inglés 4 eso burlington books soluciones 2023 2024** - Sep 14 2023

web ejercicios resueltos resúmenes ejemplos actividades resueltas y soluciones de inglés para 4 de la eso burlington books

serie english in use descarga o abre el documento pdf online en nuestra web

**solucionario workbook 4 eso burlington books 2022 pdf** - Aug 13 2023

web jul 16 2021 unit 9 bridge to th future más abajo tendrás acceso a las respuestas del libro solucionario workbook 4to de la eso de burlington books las soluciones estarán organizadas por temas pulsa en el enlace para tener acceso a las soluciones y descarga el material educativo en formato pdf

**way to english 4 eso solucionario teacher s book pdf 2023** - Sep 02 2022

web way to english 4 eso solucionario teacher s book burlington books pdf en esta pagina oficial hemos subido para abrir y descargar ingles way to english 4 eso solucionario teacher s book burlington books pdf del workbook y student s book respuestas y soluciones answer key ejercicios resueltos del libro orientado para el

*solucionario 4 eso way to english workbook burlington pdf* - Dec 05 2022

web solucionario 4 eso way to english workbook burlington pdf en esta pagina de educacion se puede descargar y abrir el solucionario 4 eso way to english workbook burlington pdf oficial que tiene todos los ejercicios resueltos y soluciones del libro del profesor contenidos ejercicios resueltos 4 eso way to english workbook

*solucionario workbook 4 eso burlington books pdf* - Jun 11 2023

web soluciones workbook 4 eso burlington books way to english in use pdf si quieres descargar más ejercicios resueltos de otras asignaturas puedes acceder a nuestra categoría de solucionario 4 de la eso lllllll si quieres descargar o ver online de forma rapida y sencilla el solucionario workbook 4 eso burlington books

solucionario workbook 4 eso burlington books descargar pdf - Nov 04 2022

web dejamos para descargar e imprimir solucionario workbook 4 eso burlington books inglés en formato pdf de manera oficial

*way to english 4 eso solucionario material de clase* - Feb 24 2022

web abrir descargar en este sitio web puedes abrir el solucionario way to english burlington 4 eso con todas las soluciones y ejercicios resueltos oficial del libro por burlington curso 4 eso

□ exámenes ingles 4 eso burlington books solucionario online - Apr 28 2022

web 1 bach 2 bach exámenes ingles 4 eso burlington books dejamos a tu disposición una recopilación de exámenes de inglés 4 eso de burlington books también incluye todos ejercicios resueltos y el soluciones a solucionador del libro para descargar en pdf tanto el student book como el workbook descargar exámenes

*burlington books soluciones solucionarios pdf* - Feb 07 2023

web de la editorial burlington books en este portal web los solucionarios con las soluciones de los workbook y student book profesores y padres tienen disponible en este portal web los solucionarios con las soluciones de los workbook y student book

para todos los cursos y ediciones advanced real english 4 eso pdf photocopiable

[way to english 4 eso pdf photocopiable solucionarios ingles](#) - Oct 03 2022

web aqui al completo dejamos para descargar en formato pdf y abrir online way to english 4 eso photocopiable pdf y el solucionario students book workbook teachers book pdf con cada de una de las respuestas y soluciones del libro de forma oficial por la editorial burlington books

**solucionario teamwork burlington books 4 eso reall** - Jan 06 2023

web en el solucionario del libro ingles teamwork burlington books 4 eso encontrarás las soluciones de los siguientes temas 1 the united kingdom 2 northern ireland 3 scotland 4 wales 5 the united states of america 6 canada 7 mexico 8 central america 9 the caribbean 10 south america 11 europe 12 russia 13 asia 14 africa 15

**foundations of microeconomics robin bade michael parkin** - Sep 15 2023

web jun 12 2017 foundations of microeconomics 8th edition introduces readers to the economic principles they can use to navigate the financial decisions of their futures each

[solution for microeconomics canada in the global environment](#) - Apr 29 2022

web solved expert answers for microeconomics canada in the global environment 8th edition by michael parkin robin bade instant access with 24 7 expert assistance

**microeconomics michael parkin robin bade studocu** - May 31 2022

web find all the study resources for microeconomics by michael parkin robin bade we have 1030 summaries and 16 courses related to this book on our website

*foundations of economics robin bade michael parkin google* - Mar 29 2022

web jun 12 2017 foundations of economics 8th edition introduces readers to the economic principles they can use to navigate the financial decisions of their futures each chapter

**foundations of microeconomics pearson** - Aug 14 2023

web jan 13 2017 principles of microeconomics foundations of microeconomics i m a student i m an educator request full copy foundations of microeconomics 8th edition

**foundations of microeconomics pearson** - May 11 2023

web foundations of microeconomics switch content of the page by the role toggle robin bade university of western ontario michael parkin emeritus of university of western

[microeconomics 8th edition parkin bade 2023](#) - Dec 26 2021

web microeconomics 8th edition parkin bade foundations of macroeconomics pdf ebook global edition may 07 2022 for principles of macroeconomics courses a practice

*microeconomics 8th edition parkin bade copy* - Nov 05 2022

web parkin invites students to bull see and understand the issues of our time in the brightest light with the most compelling examples and clearest explanation bull visualize

*foundations of microeconomics 8th edition amazon com* - Jul 13 2023

web jan 13 2017 foundations of microeconomics 8th edition introduces readers to the economic principles they can use to navigate the financial decisions of their futures each

*foundations of microeconomics robin bade michael parkin* - Sep 03 2022

web jan 11 2010 pearson addison wesley jan 11 2010 business economics 508 pages the foundations of microeconomics by bade parkin fifth edition shines with a well

*foundations of microeconomics pearson* - Oct 16 2023

web sep 18 2020 foundations of microeconomics 8th edition published by pearson september 17 2020 2021 robin bade university of western ontario michael parkin

[parkin bade microeconomics 8th cyberlab sutd edu sg](#) - Dec 06 2022

web parkin bade microeconomics 8th principles of economics sep 01 2022 foundations of economics jun 29 2022 economics is a subject you learn by doing foundations of

*foundations of microeconomics pearson* - Oct 04 2022

web foundations of microeconomics 8th edition published by pearson september 17 2020 2021 robin bade university of western ontario michael parkin emeritus of

**foundations of microeconomics global edition robin bade** - Jun 12 2023

web jun 6 2018 robin bade michael parkin pearson jun 6 2018 microeconomics 600 pages for courses in economics foundations of microeconomics 8th edition

[microeconomics 8th edition parkin bade](#) - Jan 07 2023

web microeconomics 8th edition parkin bade essential foundations of economics and myeconlab student access kit package jun 26 2020 the essential foundations of

[parkin and bade microeconomics 8th edition michael parkin](#) - Feb 25 2022

web enjoy now is parkin and bade microeconomics 8th edition below foundations of macroeconomics robin bade 2017 01 13 for courses in economics an engaging

[bade parkin foundations of economics 8th edition pearson](#) - Apr 10 2023

web description for courses in economics an engaging practice oriented approach to understanding core economic principles foundations of economics 8th edition

**microeconomics 8th edition the pearson series in economics** - Jul 01 2022

web mar 11 2012 this item microeconomics 8th edition the pearson series in economics 280 99 280 99 get it as soon as friday nov 10 only 1 left in stock

**foundations of microeconomics 8th edition textbooks com** - Feb 08 2023

web buy foundations of microeconomics 8th edition 9780134491981 by robin bade and michael parkin for up to 90 off at textbooks com

**bade parkin essential foundations of economics 8th edition** - Jan 27 2022

web an engaging practice oriented approach to understanding core economic principles essential foundations of economics 8th edition introduces students to the economic

foundations of microeconomics bade robin parkin michael - Mar 09 2023

web foundations of microeconomics 8th edition introduces readers to the economic principles they can use to navigate the financial decisions of their futures each chapter

**foundations of microeconomics 8th edition quizlet** - Aug 02 2022

web now with expert verified solutions from foundations of microeconomics 8th edition you ll learn how to solve your toughest homework problems our resource for foundations of

**exposed desire and disobedience in the digital ag pdf** - Apr 05 2022

web in the wake of the edward snowden revelations interest in george orwell s novel 1984 soared leading to an exponential rise in sales less than a week after the first

*exposed desire and disobedience in the digital age* - Nov 12 2022

web jun 1 2016 exposed desire and disobedience in the digital age by bernard e harcourt cambridge ma harvard university press 2015 364 pp 35 00 hardcover

exposed bernard e harcourt harvard university press - Dec 13 2022

web jan 16 2020 publication date 2015 description social media compile data on users retailers mine information on consumers internet giants create dossiers of who we know

exposed desire and disobedience in the digital age guide books - Aug 21 2023

web exposed offers a powerful critique of our new virtual transparency revealing just how unfree we are becoming and how little we seem to care bernard harcourt guides us through our

**exposed desire and disobedience in the digital ag** - Aug 09 2022

web surveillance operations to locate each and every person s digital double pg 157 a key focus of book review bernard e harcourt 2015 exposed desire and disobedience

**exposed desire and disobedience in the digital age download** - Feb 15 2023

web exposed desire and disobedience in the digital age management and technological challenges in the digital age feb 10 2022 businesses operate amid a digital age and

exposed desire and disobedience in the digital age by bernard - Jun 19 2023

web exposed desire and disobedience in the digital age by bernard e harcourt cambridge ma harvard university press 2015 364 pp 35 00 hardcover

exposed desire and disobedience in the digital age - Sep 22 2023

web nov 17 2015 exposed offers a powerful critique of our new virtual transparence revealing just how unfree we are becoming and how little we seem to care bernard harcourt

book review exposed desire and disobedience in the digital - Jun 07 2022

web exposed desire and disobedience in the digital ag reuben s fall jan 22 2020 this study offers a lens on two kindergarten classrooms examining moments of

*exposed desire and disobedience in the digital age on jstor* - Oct 23 2023

web less than a week after the first leaks were revealed by the guardian in june 2013 the los angeles times reported that sales of orwell s book had increased by nearly 6 000

**pdf exposed by bernard e harcourt ebook perlego** - Mar 04 2022

web exposed desire and disobedience in the digital age books

**exposed desire and disobedience in the digital age** - Feb 03 2022

exposed desire and disobedience by harcourt bernard e - Apr 17 2023

web nov 17 2015 bernard harcourt s intellectually energetic book exposed surveys the damage inflicted on privacy by spy agencies and private corporations encouraged by

**exposed desire and disobedience in the digital age** - Sep 10 2022

web exposed desire and disobedience in the digital ag disobey nov 28 2022 exploring the philosophy of disobedience the world is out of joint so much so that disobeying

bernard e harcourt 2015 exposed desire and disobedience in - Jul 08 2022

web exposed desire and disobedience in the digital age exposed by critical theorist and advocate bernard harcourt sheds a light on this quest as it provides a narrative for a

**exposed desire and disobedience in the digital age google** - May 18 2023

web nov 17 2015 exposed desire and disobedience in the digital age social media compile data on users retailers mine

information on consumers internet giants create

**exposed desire and disobedience in the digital age by** - Jan 14 2023

web nov 17 2015 exploiting our boundless desire to access everything all the time digital technology is breaking down whatever boundaries still exist between the state the

*exposed desire and disobedience in the digital age by bernard* - Oct 11 2022

web nov 17 2015 exposed desire and disobedience in the digital age b harcourt published 17 november 2015 art exploiting our boundless desire to access everything

read free exposed desire and disobedience in the digital ag - May 06 2022

web 4 exposed desire and disobedience in the digital ag 2023 06 24 we are in how we became our data colin koopman excavates early moments of our rapidly accelerating

*exposed desire and disobedience in the digital ag copy* - Jul 20 2023

web exposed desire and disobedience in the digital ag digital age chances challenges and future jun 25 2021 this proceedings book presents the outcomes of the vii

**exposed desire and disobedience in the digital age google** - Mar 16 2023

web nov 17 2015 exposed offers a powerful critique of our new virtual transparency revealing just how unfree we are becoming and how little we seem to care bernard harcourt