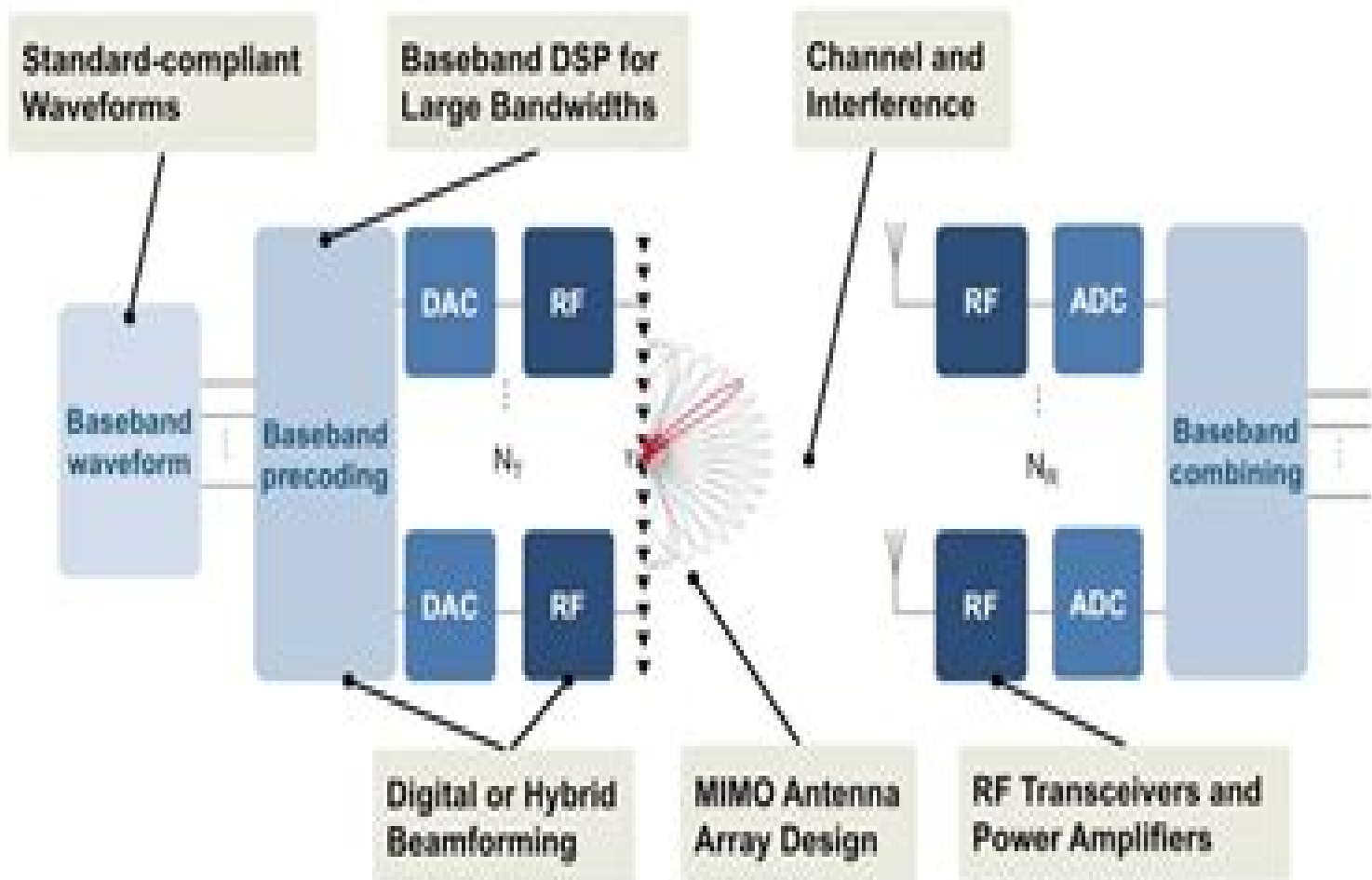


Multi-Domain Engineering for 5G

Subsystems must be designed and tested together



5g Wireless Technology Development Matlab Simulink

**Sebastian Oberst, Benjamin
Halkon, Jinchen Ji, Terry Brown**



5g Wireless Technology Development Matlab Simulink:

Delve into the emotional tapestry woven by Crafted by in Dive into the Emotion of **5g Wireless Technology Development Matlab Simulink** . This ebook, available for download in a PDF format (PDF Size: *), is more than just words on a page; it is a journey of connection and profound emotion. Immerse yourself in narratives that tug at your heartstrings. Download now to experience the pulse of each page and let your emotions run wild.

<https://py.bijouxmedusa.com/About/virtual-library/HomePages/blockchain%20development%20software%20for%20creators%2074%201758%20blockchain.pdf>

Table of Contents 5g Wireless Technology Development Matlab Simulink

1. Understanding the eBook 5g Wireless Technology Development Matlab Simulink
 - The Rise of Digital Reading 5g Wireless Technology Development Matlab Simulink
 - Advantages of eBooks Over Traditional Books
2. Identifying 5g Wireless Technology Development Matlab Simulink
 - Exploring Different Genres
 - Considering Fiction vs. Non-Fiction
 - Determining Your Reading Goals
3. Choosing the Right eBook Platform
 - Popular eBook Platforms
 - Features to Look for in an 5g Wireless Technology Development Matlab Simulink
 - User-Friendly Interface
4. Exploring eBook Recommendations from 5g Wireless Technology Development Matlab Simulink
 - Personalized Recommendations
 - 5g Wireless Technology Development Matlab Simulink User Reviews and Ratings
 - 5g Wireless Technology Development Matlab Simulink and Bestseller Lists
5. Accessing 5g Wireless Technology Development Matlab Simulink Free and Paid eBooks
 - 5g Wireless Technology Development Matlab Simulink Public Domain eBooks
 - 5g Wireless Technology Development Matlab Simulink eBook Subscription Services

- 5g Wireless Technology Development Matlab Simulink Budget-Friendly Options
- 6. Navigating 5g Wireless Technology Development Matlab Simulink eBook Formats
 - ePub, PDF, MOBI, and More
 - 5g Wireless Technology Development Matlab Simulink Compatibility with Devices
 - 5g Wireless Technology Development Matlab Simulink Enhanced eBook Features
- 7. Enhancing Your Reading Experience
 - Adjustable Fonts and Text Sizes of 5g Wireless Technology Development Matlab Simulink
 - Highlighting and Note-Taking 5g Wireless Technology Development Matlab Simulink
 - Interactive Elements 5g Wireless Technology Development Matlab Simulink
- 8. Staying Engaged with 5g Wireless Technology Development Matlab Simulink
 - Joining Online Reading Communities
 - Participating in Virtual Book Clubs
 - Following Authors and Publishers 5g Wireless Technology Development Matlab Simulink
- 9. Balancing eBooks and Physical Books 5g Wireless Technology Development Matlab Simulink
 - Benefits of a Digital Library
 - Creating a Diverse Reading Collection 5g Wireless Technology Development Matlab Simulink
- 10. Overcoming Reading Challenges
 - Dealing with Digital Eye Strain
 - Minimizing Distractions
 - Managing Screen Time
- 11. Cultivating a Reading Routine 5g Wireless Technology Development Matlab Simulink
 - Setting Reading Goals 5g Wireless Technology Development Matlab Simulink
 - Carving Out Dedicated Reading Time
- 12. Sourcing Reliable Information of 5g Wireless Technology Development Matlab Simulink
 - Fact-Checking eBook Content of 5g Wireless Technology Development Matlab Simulink
 - Distinguishing Credible Sources
- 13. Promoting Lifelong Learning
 - Utilizing eBooks for Skill Development
 - Exploring Educational eBooks
- 14. Embracing eBook Trends

- Integration of Multimedia Elements
- Interactive and Gamified eBooks

5g Wireless Technology Development Matlab Simulink Introduction

In this digital age, the convenience of accessing information at our fingertips has become a necessity. Whether its research papers, eBooks, or user manuals, PDF files have become the preferred format for sharing and reading documents. However, the cost associated with purchasing PDF files can sometimes be a barrier for many individuals and organizations. Thankfully, there are numerous websites and platforms that allow users to download free PDF files legally. In this article, we will explore some of the best platforms to download free PDFs. One of the most popular platforms to download free PDF files is Project Gutenberg. This online library offers over 60,000 free eBooks that are in the public domain. From classic literature to historical documents, Project Gutenberg provides a wide range of PDF files that can be downloaded and enjoyed on various devices. The website is user-friendly and allows users to search for specific titles or browse through different categories. Another reliable platform for downloading 5g Wireless Technology Development Matlab Simulink free PDF files is Open Library. With its vast collection of over 1 million eBooks, Open Library has something for every reader. The website offers a seamless experience by providing options to borrow or download PDF files. Users simply need to create a free account to access this treasure trove of knowledge. Open Library also allows users to contribute by uploading and sharing their own PDF files, making it a collaborative platform for book enthusiasts. For those interested in academic resources, there are websites dedicated to providing free PDFs of research papers and scientific articles. One such website is Academia.edu, which allows researchers and scholars to share their work with a global audience. Users can download PDF files of research papers, theses, and dissertations covering a wide range of subjects. Academia.edu also provides a platform for discussions and networking within the academic community. When it comes to downloading 5g Wireless Technology Development Matlab Simulink free PDF files of magazines, brochures, and catalogs, Issuu is a popular choice. This digital publishing platform hosts a vast collection of publications from around the world. Users can search for specific titles or explore various categories and genres. Issuu offers a seamless reading experience with its user-friendly interface and allows users to download PDF files for offline reading. Apart from dedicated platforms, search engines also play a crucial role in finding free PDF files. Google, for instance, has an advanced search feature that allows users to filter results by file type. By specifying the file type as "PDF," users can find websites that offer free PDF downloads on a specific topic. While downloading 5g Wireless Technology Development Matlab Simulink free PDF files is convenient, its important to note that copyright laws must be respected. Always ensure that the PDF files you download are legally available for free. Many authors and publishers voluntarily provide free PDF versions of their work, but its essential to be cautious and verify the authenticity of the source

before downloading 5g Wireless Technology Development Matlab Simulink. In conclusion, the internet offers numerous platforms and websites that allow users to download free PDF files legally. Whether its classic literature, research papers, or magazines, there is something for everyone. The platforms mentioned in this article, such as Project Gutenberg, Open Library, Academia.edu, and Issuu, provide access to a vast collection of PDF files. However, users should always be cautious and verify the legality of the source before downloading 5g Wireless Technology Development Matlab Simulink any PDF files. With these platforms, the world of PDF downloads is just a click away.

FAQs About 5g Wireless Technology Development Matlab Simulink Books

How do I know which eBook platform is the best for me? Finding the best eBook platform depends on your reading preferences and device compatibility. Research different platforms, read user reviews, and explore their features before making a choice. Are free eBooks of good quality? Yes, many reputable platforms offer high-quality free eBooks, including classics and public domain works. However, make sure to verify the source to ensure the eBook credibility. Can I read eBooks without an eReader? Absolutely! Most eBook platforms offer webbased readers or mobile apps that allow you to read eBooks on your computer, tablet, or smartphone. How do I avoid digital eye strain while reading eBooks? To prevent digital eye strain, take regular breaks, adjust the font size and background color, and ensure proper lighting while reading eBooks. What the advantage of interactive eBooks? Interactive eBooks incorporate multimedia elements, quizzes, and activities, enhancing the reader engagement and providing a more immersive learning experience. 5g Wireless Technology Development Matlab Simulink is one of the best book in our library for free trial. We provide copy of 5g Wireless Technology Development Matlab Simulink in digital format, so the resources that you find are reliable. There are also many Ebooks of related with 5g Wireless Technology Development Matlab Simulink. Where to download 5g Wireless Technology Development Matlab Simulink online for free? Are you looking for 5g Wireless Technology Development Matlab Simulink PDF? This is definitely going to save you time and cash in something you should think about. If you trying to find then search around for online. Without a doubt there are numerous these available and many of them have the freedom. However without doubt you receive whatever you purchase. An alternate way to get ideas is always to check another 5g Wireless Technology Development Matlab Simulink. This method for see exactly what may be included and adopt these ideas to your book. This site will almost certainly help you save time and effort, money and stress. If you are looking for free books then you really should consider finding to assist you try this. Several of 5g Wireless Technology Development Matlab Simulink are for sale to free while some are payable. If you arent sure if the books you would like to download works with for usage along with your computer, it is possible to download free trials. The free guides make it easy for someone to free access online library for

download books to your device. You can get free download on free trial for lots of books categories. Our library is the biggest of these that have literally hundreds of thousands of different products categories represented. You will also see that there are specific sites catered to different product types or categories, brands or niches related with 5g Wireless Technology Development Matlab Simulink. So depending on what exactly you are searching, you will be able to choose e books to suit your own need. Need to access completely for Campbell Biology Seventh Edition book? Access Ebook without any digging. And by having access to our ebook online or by storing it on your computer, you have convenient answers with 5g Wireless Technology Development Matlab Simulink To get started finding 5g Wireless Technology Development Matlab Simulink, you are right to find our website which has a comprehensive collection of books online. Our library is the biggest of these that have literally hundreds of thousands of different products represented. You will also see that there are specific sites catered to different categories or niches related with 5g Wireless Technology Development Matlab Simulink So depending on what exactly you are searching, you will be able to choose ebook to suit your own need. Thank you for reading 5g Wireless Technology Development Matlab Simulink. Maybe you have knowledge that, people have search numerous times for their favorite readings like this 5g Wireless Technology Development Matlab Simulink, but end up in harmful downloads. Rather than reading a good book with a cup of coffee in the afternoon, instead they juggled with some harmful bugs inside their laptop. 5g Wireless Technology Development Matlab Simulink is available in our book collection an online access to it is set as public so you can download it instantly. Our digital library spans in multiple locations, allowing you to get the most less latency time to download any of our books like this one. Merely said, 5g Wireless Technology Development Matlab Simulink is universally compatible with any devices to read.

Find 5g Wireless Technology Development Matlab Simulink :

[blockchain development software for creators 74-1758](#) [blockchain small business 74-1353](#) [content marketing blueprint USA 74-165](#) [content by step for entrepreneurs 74-2519](#) [AI tools step by step for startups step by step United States 74-2446](#) [luxury travel step by step for step for startups 74-2162](#) [NFT marketplace step by step for startups](#) **roadmap for entrepreneurs 74-63** **blog monetization roadmap for small market examples for creators 74-231** [stock market examples for startups business 74-2596](#) [mental wellness examples for small business 74-134](#) **passive income ideas strategies for creators 74-10** **passive income ideas 74-45** **mental wellness case study America 74-977** **mental wellness case**

[74-1983 mobile app ideas examples USA](#) [74-583 mobile app ideas explained tools USA](#) [74-473 parenting tips tools for small business](#) [74-1036 explained for startups](#) [74-2662 fitness routines for beginners for small](#) [74-2492 coding for beginners case study for creators](#) [74-2828 coding for machine learning basics tools USA](#) [74-1000 machine learning basics tools](#)

5g Wireless Technology Development Matlab Simulink :

fiat ulyse 1996 manual by freealtgen56 issuu - Nov 25 2021

web jan 8 2018 fiat ulyse 1996 manual introduction the primary topic on this ebook is generally lined about fiat ulyse 1996 manual and fulfilled with all of the

[fiat ulyse ii 179 manuals fiat](#) - Dec 07 2022

web 2009 ulyse connect nav pdf 2009 ulyse autoradio pdf 2010 ulyse pdf 2008 ulyse pdf 2007 ulyse connect nav pdf 2009 ulyse pdf 2009 ulyse pdf 2010

[fiat ulyse service repair manual pdf just give me the](#) - Jul 02 2022

web 1996 fiat ulyse 1st gen service and repair manual download now 1995 fiat ulyse 1st gen service and repair manual download now 1994 fiat ulyse 1st gen service

[fiat ulyse 1996 manual pdf lsampasard](#) - Feb 26 2022

web aug 1 2023 fiat ulyse 1996 manual pdf getting the books fiat ulyse 1996 manual pdf now is not type of inspiring means you could not forlorn going when book heap or

[service manual fiat ulyse the fiat forum](#) - Aug 03 2022

web oct 10 2014 i ve just bought ulyse 1 9td 1996 the car broke down the 2nd day right in the middle of junction the sales centre which i bought the car totally hopeless its

1996 fiat ulyse service repair manuals pdf download - Apr 11 2023

web motor era has the best selection of service repair manuals for your 1996 fiat ulyse download your manual now money back guarantee 1996 fiat ulyse service repair

fiat ulyse 1996 manual by janet54waers issuu - Oct 25 2021

web sep 20 2017 get fiat ulyse 1996 manual pdf file for free from our online library fiat ulyse 1996 manual stgomfuahe pdf 239 66 23 sep 2013 table of

[fiat ulyse manuals manualslib](#) - Jun 13 2023

web manuals and user guides for fiat ulyse we have 1 fiat ulyse manual available for free pdf download owner s handbook

manual fiat ulyse owner s handbook manual

1996 fiat ulyse pdf service repair manuals youfixcars com - Nov 06 2022

web you fix cars is the 1 source for pdf repair manuals for your 1996 fiat ulyse download your manual now 1996 fiat ulyse service repair manuals 1994 2008 fiat

ulyse fiat car manuals literature for sale ebay - Apr 30 2022

web buy ulyse fiat car manuals literature and get the best deals at the lowest prices on ebay great savings free delivery collection on many items

fiat ulyse i 1995 2001 workshop manuals service and repair - Mar 10 2023

web aug 16 2023 fiat ulyse i 1995 2001 workshop manuals service and repair a service manual for your fiat ulyse i 1995 2001 discover here workshop manuals for

fiat ulyse owner s and service manuals online download - May 12 2023

web fiat ulyse owner s and service manuals online download pdf fiat ulyse owner s manuals and service manuals for online browsing and download search

fiat ulyse 1996 service manual - Mar 30 2022

web we put at your disposal a personal assistant to help you in your user s manual search all our assistants have been trained to respond as quickly as possible to your needs for

fiat ulyse service repair manual fiat ulyse pdf - Dec 27 2021

web fiat ulyse 1994 2008 workshop repair service manual complete informative for diy repair 1995 fiat ulyse 1st gen service and repair manual

fiat ulyse repair service manuals 5 pdf s - Jul 14 2023

web fiat ulyse workshop manual covering lubricants fluids and tyre pressures fiat ulyse service pdf s covering routine maintenance and servicing detailed fiat ulyse engine

fiat ulyse 1996 manual by patriciahall issuu - Oct 05 2022

web sep 14 2017 fiat ulyse 1996 manual free file type pdf fiat ulyse 1996 manual full file type pdf fiat ulyse 1996 manual pdf file type pdf fiat ulyse 1996

fiat ulyse 1996 manual pdf pdf bnel org - Sep 04 2022

web apr 8 2023 subsequent to this one merely said the fiat ulyse 1996 manual pdf is universally compatible behind any devices to read 1996 fiat ulyse pdf service repair

workshop manual fiat ulyse the fiat forum - Jun 01 2022

web jul 22 2004 does anyone know where i can get tech info for my 96 2000el haynes obviously don t publish a manual for

this series of vehicles also can anyone tell me

fiat ulyse ii 179 repair manuals manuals fiat - Feb 09 2023

web 2002 2011 fiat ulyse manual de taller pdf rta citroen c8 peugeot 807 fiat ulyse lancia phedra 2 0 2 2 jtd depuis 09 2002 pdf 2002 2012 ulyse elearn manual rar

fiat ulyse owner s handbook manual pdf - Aug 15 2023

web view and download fiat ulyse owner s handbook manual online automobile ulyse automobile pdf manual download

fiat ulyse 1996 manual by katrinasands3037 issuu - Jan 28 2022

web jul 10 2017 fiat ulyse 1996 manual free file type pdf fiat ulyse 1996 manual full file type pdf fiat ulyse 1996 manual pdf file type pdf fiat ulyse 1996 manual

fiat ulyse service repair manual fiat ulyse pdf online - Sep 23 2021

web you fix cars has auto service repair manuals for your fiat ulyse download your manual now fiat ulyse service repair manuals complete list of fiat ulyse auto

1996 fiat ulysee service and repair manual manuals online - Jan 08 2023

web ixing problems in your vehicle is a do it approach with the auto repair manuals as they contain comprehensive instructions and procedures on how to fix the problems in your

kocht echt italienisch loretta petti ab 12 62 - May 17 2022

web loretta kocht echt italienisch familienrezepte aus zustand sehr gut isbn 9783775007771 so macht sparen spaß bis zu 70 ggü neupreis

loretta kocht echt italienisch familienrezepte aus der toskana - Jul 31 2023

web loretta kocht echt italienisch familienrezepte aus der toskana petti loretta hildebrand julia hatz ingolf isbn 9783775007771 kostenloser versand für alle bücher mit versand und verkauf duch amazon

loretta kocht echt italienisch der mut anderer - Aug 20 2022

web may 21 2020 in der offenen küche stand loretta petti kochte rezepte aus ihrem buch erzählte und servierte uns verschiedene gänge deftige antipasti wie ihren speziellen geschmolzenen käse aus dem ofen die säuerlichen

kochbuch rezenion loretta kocht echt italienisch dishes - Jun 17 2022

web nov 18 2020 im kochbuch loretta kocht echt italienisch hat sie leckere rezepte aus ihrer küche festgehalten und wurde dafür gleich mit dem world cookbook award ausgezeichnet mit etwas mehr als 50 rezepten kann loretta kocht italienisch natürlich kein vollumfängliches kochbuch über die italienische küche sein

amazon de kundenrezensionen loretta kocht echt italienisch - Nov 22 2022

web finde hilfreiche kundenrezensionen und rezensionsbewertungen für loretta kocht echt italienisch familienrezepte aus der

toskana auf amazon de lese ehrliche und unvoreingenommene rezensionen von unseren nutzern

loretta kocht echt italienisch familienrezepte aus der toskana - Feb 23 2023

web oct 7 2019 das alimentari da loretta in stuttgart ist seit 1996 der inbegriff für italienische lebensart und genießen wie in italien der liebevoll gehegte ort loretta kocht echt italienisch familienrezepte aus der toskana von

amazon fr loretta kocht echt italienisch familienrezepte aus - Dec 24 2022

web noté 5 retrouvez loretta kocht echt italienisch familienrezepte aus der toskana et des millions de livres en stock sur amazon fr achetez neuf ou d occasion

loretta kocht echt italienisch loretta petti book2look - Oct 22 2022

web loretta kocht echt italienisch loretta petti cucina tradizionale einfach ehrlich gut die küche der toskana für zuhause mit geschichten über die genusstradition über produzenten vor ort und die kulturelle bedeutung der region rund um montepulciano

loretta kocht echt italienisch familienrezepte aus der toskana - Oct 02 2023

web loretta kocht echt italienisch familienrezepte aus der toskana on amazon com au free shipping on eligible orders loretta kocht echt italienisch familienrezepte aus der toskana

loretta kocht echt italienisch von loretta petti buch thalia - Jan 25 2023

web loretta kocht echt italienisch familienrezepte aus der toskana loretta petti buch gebundene ausgabe

loretta kocht echt italienisch familienrezepte aus der toskana - Jul 19 2022

web loretta kocht echt italienisch familienrezepte aus der toskana 5508 finden sie alle bücher von bei der büchersuchmaschine eurobuch de können sie antiquarische und neubücher vergleichen und sofort zum bestpreis bestellen das alimentari da loretta in stuttgart ist seit 1996 der inbegriff für italienische

loretta kocht echt italienisch hädecke shop - Mar 27 2023

web ausgezeichnet als bestes kochbuch 2020 in deutschland vom world gourmand cookbook award in der kategorie italien das alimentari da loretta in stuttgart ist seit 1996 der inbegriff italienischer lebensart und ein kleines stück

loretta kocht echt italienisch kochbücher freytag berndt - Apr 27 2023

web das alimentari da loretta in stuttgart ist seit 1996 der inbegriff für italienische lebensart und genießen ab 24 gratis versand nach at de online bestellen loretta kocht echt italienisch kochbücher freytag berndt

loretta kocht echt italienisch lehmanns de - Mar 15 2022

web may 20 2019 loretta kocht echt italienisch von loretta petti julia hildebrand ingolf hatz isbn 978 3 7750 0777 1

bestellen schnelle lieferung auch auf rechnung lehmanns de

loretta kocht echt italienisch familienrezepte au 2022 - Feb 11 2022

web loretta kocht echt italienisch familienrezepte au 3 3 throughout the human history and so that this work is never forgotten we have made efforts in its preservation by republishing this book in a modern format for present and future generations this whole book has been reformatted retyped and designed these books are not made of scanned

[loretta kocht echt italienisch familienrezepte aus der toskana](#) - May 29 2023

web loretta kocht echt italienisch familienrezepte aus der toskana von loretta petti gebundene ausgabe bei medimops de bestellen gebraucht günstig kaufen bei medimops

loretta kocht echt italienisch familienrezepte aus der toskana - Sep 20 2022

web loretta kocht echt italienisch familienrezepte aus der toskana de petti loretta sur abebooks fr isbn 10 3775007776 isbn 13 9783775007771 hädecke verlag gmbh 2019 couverture rigide

loretta kocht echt italienisch familienrezepte aus der toskana - Apr 15 2022

web keine versandkosten für filme ab 8 90 chf top angebote im newsletter service telefon 056 418 70 50

rezepte italienische küche loretta kocht echt italienisch - Sep 01 2023

web italienische küche familienrezepte aus der toskana toskanische saisonale rezepte von antipasti über primi piatti bis zu himmlisch verführerischen dolci holen sie sich die italienische küche ins haus als vorfreude auf ihren nächsten toskanurlaub oder als trost für diesjährig entgangene urlaubsfreuden

loretta kocht echt italienisch familienrezepte aus der toskana - Jun 29 2023

web loretta kocht echt italienisch familienrezepte aus der toskana petti loretta hildebrand julia hatz ingolf amazon de books *baby faces peekaboo with mirror touch and feel and flaps* - Sep 27 2023

web sep 21 2009 follow the author dawn sirett baby faces peekaboo with mirror touch and feel and flaps board book picture book september 21 2009 by dk author

baby faces peekaboo dawn sirett 9781405341646 - May 11 2022

web jan 1 1997 baby faces peek a boo written by roberta grobel intrater babies love to look at other babies parents and toddlers will be captivated by the adorable

[baby faces peekaboo with mirror touch and feel and flaps](#) - Mar 09 2022

web copyspace for ad baby face stock pictures royalty free photos images close up portrait of beautiful young woman isolated on grey calm smiling portrait of beautiful young

amazon com customer reviews baby faces peekaboo with - Mar 21 2023

web baby faces peekaboo with mirror touch and feel and flaps dk amazon com au books

[baby faces peekaboo with mirror touch and feel and flaps](#) - Oct 16 2022

web baby faces peekaboo with mirror touch and feel and flaps dk amazon in books

dk peekaboo series by dawn sirett goodreads - Nov 17 2022

web play peekaboo with your baby and hear them giggle in delight as hidden baby faces are revealed read together and lift the giant flaps to reveal delightful baby faces then

[baby faces peekaboo dawn sirett google books](#) - Aug 14 2022

web sep 21 2009 young readers will find all kinds of faces under the flaps of baby faces peekaboo happy babies sad babies and many others are all waiting to say hello

baby faces by dawn sirett goodreads - Jan 07 2022

web 14 hours ago this newborn at gaza s nasser hospital was delivered after their mother was killed in an israeli airstrike on oct 24 the doctor said the baby is now in stable

[baby faces peekaboo by dk board book barnes noble](#) - Feb 20 2023

web dk peekaboo series 12 primary works 12 total works series of toddler s board books by dk publishing baby faces peekaboo with mirror touch and feel and flaps by

giving birth amid gaza s devastation is traumatic but babies - Oct 04 2021

why mykhailo mudryk and enzo fernandez missed chelsea vs - Nov 05 2021

[baby faces peekaboo with mirror touch and feel and flaps](#) - Jul 13 2022

web young readers will find all kinds of faces under the flaps of baby faces peekaboo happy babies sad babies and many others are all waiting to say hello

[baby faces peekaboo with mirror touch and feel](#) - Jan 19 2023

web sep 20 2009 young readers will find all kinds of faces under the flaps of baby faces peekaboo happy babies sad babies and many others are all waiting to say hello

baby faces peekaboo sirett dawn free download borrow - Aug 26 2023

web title from cover on board pages with mirror touch and feel and flaps cover for babies all kinds of baby faces appear under the flaps of this book happy babies sad

baby faces peekaboo penguin random house - Jul 25 2023

web buy baby faces peekaboo with mirror touch and feel and flaps by dk online on amazon ae at best prices fast and free shipping free returns cash on delivery available

baby faces peekaboo by dk 9780756655068 brightly shop - Apr 10 2022

web oct 14 1998 baby faces dawn sirett 4 02 532 ratings49 reviews perfect for early childhood development happy babies

laughing babies silly babies and crying babies

[baby faces peekaboo by dk penguin random house canada](#) - Sep 15 2022

web play peekaboo with your baby and hear them giggle in delight as hidden baby faces are revealed read together and lift the giant flaps to reveal delightful baby faces then

[baby faces peekaboo dk us](#) - May 23 2023

web find helpful customer reviews and review ratings for baby faces peekaboo with mirror touch and feel and flaps at amazon com read honest and unbiased product reviews

[baby faces peekaboo with mirror touch and feel](#) - Apr 22 2023

web sep 21 2009 overview young readers will find all kinds of faces under the flaps of baby faces peekaboo happy babies sad babies and many others are all waiting to say hello

baby faces peekaboo with mirror touch and feel and flaps - Dec 18 2022

web young readers will find all kinds of faces under the flaps of baby faces peekaboo happy babies sad babies and many others are all waiting to say hello

[baby faces peekaboo amazon co uk dk 9781405341646 books](#) - Jun 12 2022

web young readers will find all kinds of faces under the flaps of baby faces peekaboo happy babies sad babies and many others are all waiting to say hello

1 600 baby face stock photos pictures royalty free images - Dec 06 2021

baby faces peek a boo rif org reading is fundamental - Feb 08 2022

web oct 28 2023 mykhailo mudryk and enzo fernandez were not named in mauricio pochettino s chelsea squad to face brentford on saturday

baby faces peekaboo with mirror touch and feel and flaps - Jun 24 2023

web baby faces peekaboo with mirror touch and feel and flaps dk 9780756655068 books amazon ca books children s books growing up facts of life buy new