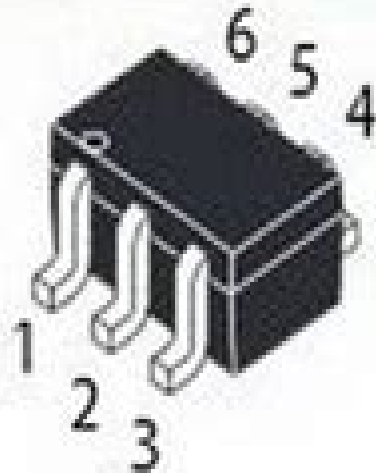
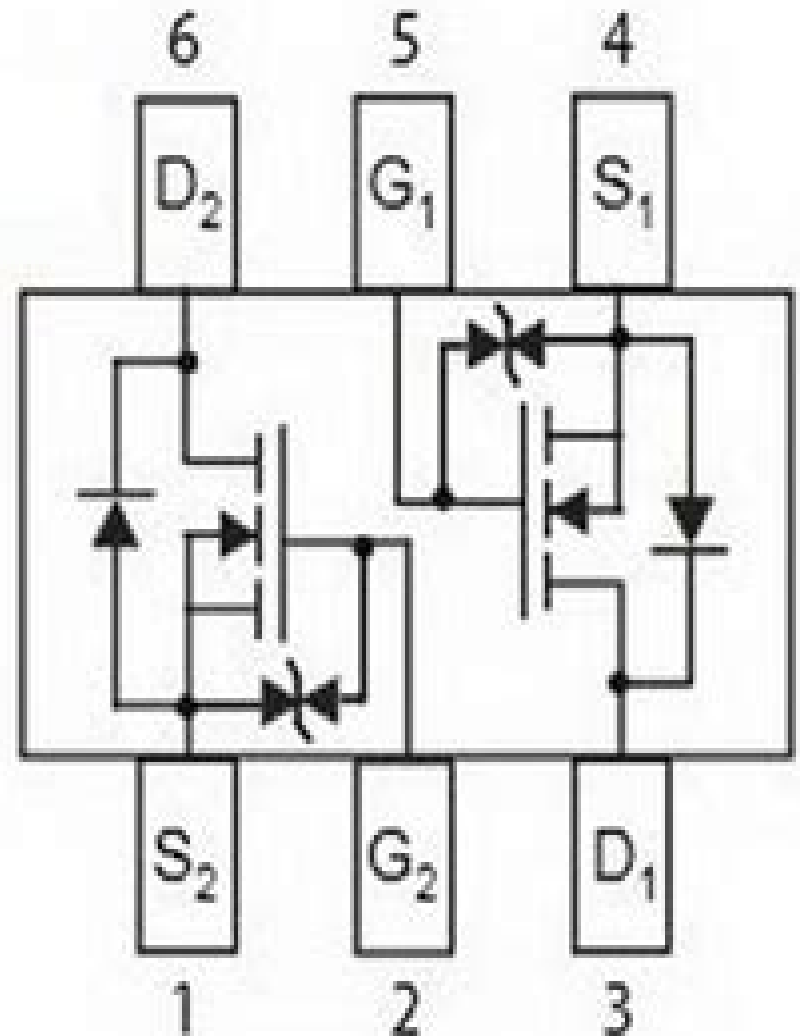


# Dual N-Channel MOSFET



**SOT-363(SC-88)**



# 60v Dual N Channel Mosfet

**J.-P. Colinge**



## 60v Dual N Channel Mosfet:

Strain-Induced Effects in Advanced MOSFETs Viktor Sverdlov, 2011-01-06 Strain is used to boost performance of MOSFETs Modeling of strain effects on transport is an important task of modern simulation tools required for device design The book covers all relevant modeling approaches used to describe strain in silicon The subband structure in stressed semiconductor films is investigated in devices using analytical  $k \cdot p$  and numerical pseudopotential methods A rigorous overview of transport modeling in strained devices is given Electronic Engineering, 1996

**Analog Circuit Design Volume Three** Bob Dobkin, John Hamburger, 2014-11-29 Design Note Collection the third book in the Analog Circuit Design series is a comprehensive volume of applied circuit design solutions providing elegant and practical design techniques Design Notes in this volume are focused circuit explanations easily applied in your own designs This book includes an extensive power management section covering switching regulator design linear regulator design microprocessor power design battery management powering LED lighting automotive and industrial power design Other sections span a range of analog design topics including data conversion data acquisition communications interface design operational amplifier design techniques filter design and wireless RF communications and network design Whatever your application industrial medical security embedded systems instrumentation automotive communications infrastructure satellite and radar computers or networking this book will provide practical design techniques developed by experts for tackling the challenges of power management data conversion signal conditioning and wireless RF analog circuit design A rich collection of applied analog circuit design solutions for use in your own designs Each Design Note is presented in a concise two page format making it easy to read and assimilate Contributions from the leading lights in analog design including Bob Dobkin Jim Williams George Erdi and Carl Nelson among others Extensive sections covering power management data conversion signal conditioning and wireless RF

**Silicon-on-Insulator Technology** J.-P. Colinge, 2013-03-09 Silicon on Insulator Technology Materials to VLSI 2nd Edition describes the different facets of SOI technology SOI chips are now commercially available and SOI wafer manufacturers have gone public SOI has finally made it out of the academic world and is now a big concern for every major semiconductor company SOI technology has indeed deserved serious recognition high temperature 400 C extremely rad hard 500 Mrad Si high density 16 Mb 0.9 volt DRAM high speed several GHz and low voltage 0.5 V SOI circuits have been demonstrated Strategic choices in favor of the use of SOI for low voltage low power portable systems have been made by several major semiconductor manufacturers Silicon on Insulator Technology Materials to VLSI 2nd Edition presents a complete and state of the art review of SOI materials devices and circuits SOI fabrication and characterization techniques SOI device processing the physics of the SOI MOSFET as well as that of SOI other devices and the performances of SOI circuits are discussed in detail The SOI specialist will find this book invaluable as a source of compiled references covering the different aspects of SOI technology For the non specialist the book serves as an excellent introduction to the topic with

detailed yet simple and clear explanations Silicon on Insulator Technology Materials to VLSI 2nd Edition is recommended for use as a textbook for classes on semiconductor device processing and physics The level of the book is appropriate for teaching at both the undergraduate and graduate levels Silicon on Insulator Technology Materials to VLSI 2nd Edition includes the new materials devices and circuit concepts which have been devised since the publication of the first edition The circuit sections in particular have been updated to present the performances of SOI devices for low voltage low power applications as well as for high temperature smart power and DRAM applications The other sections such as those describing SOI materials the physics of the SOI MOSFET and other devices have been updated to present the state of the art in SOI technology

**IC Master** ,2001     **Advances in Renewable Energy & Electric Vehicles** Suryanarayana Kajampady,Shripad T. Revankar,2023-11-14 This book presents select peer reviewed proceedings of the International Conference on Advances in Renewable Energy and Electric Vehicles AREEV 2022 The topics covered include renewable energy sources electric vehicles energy storage systems power system protection security smart grid and wide bandgap semiconductor technologies The book also discusses applications of signal processing artificial neural networks optimal and robust control systems and modeling and simulation of power electronic converters The book is a valuable reference for academics and professionals interested in power systems renewable energy and electric vehicles

Arduino Robotics John-David Warren,Josh Adams,Harald Molle,2011-10-08 This book will show you how to use your Arduino to control a variety of different robots while providing step by step instructions on the entire robot building process You ll learn Arduino basics as well as the characteristics of different types of motors used in robotics You also discover controller methods and failsafe methods and learn how to apply them to your project The book starts with basic robots and moves into more complex projects including a GPS enabled robot a robotic lawn mower a fighting bot and even a DIY Segway clone Introduction to the Arduino and other components needed for robotics Learn how to build motor controllers Build bots from simple line following and bump sensor bots to more complex robots that can mow your lawn do battle or even take you for a ride Please note the print version of this title is black the eBook is full color

Newark Electronics ,2009     *Electronics World + Wireless World* ,1995     **EDN** ,2006     **The ARRL Handbook for the Radio Amateur** ,2001     **Measuring Circuits** Rudolf F. Graf,1996-12-15 This series of circuits provides designers with a quick source for measuring circuits Why waste time paging through huge encyclopedias when you can choose the topic you need and select any of the specialized circuits sorted by application This book in the series has 250 300 practical ready to use circuit designs with schematics and brief explanations of circuit operation The original source for each circuit is listed in an appendix making it easy to obtain additional information Ready to use circuits Grouped by application for easy look up Circuit source listings

Electronic Products Magazine ,1997     *The ARRL Handbook for Radio Communications* ,2003     *The ARRL Handbook for Radio Amateurs* ,2003 American Radio Relay League,2002 Includes a searchable index of QST product reviews a database on over 1000

equipment and parts suppliers and several other programs     EDN, Electrical Design News ,2003     Electronic Design  
,1996     *Information Display* ,1998     Products for Wireless Communications Databook ,1997     **The ARRL Handbook**  
**for Radio Amateurs, 2001** American Radio Relay League, Chuck Hutchinson, 2000 Includes a searchable index of QST  
product reviews a database on over 1000 equipment and parts suppliers and several other programs

Fuel your quest for knowledge with Authored by is thought-provoking masterpiece, **60v Dual N Channel Mosfet** . This educational ebook, conveniently sized in PDF ( Download in PDF: \*), is a gateway to personal growth and intellectual stimulation. Immerse yourself in the enriching content curated to cater to every eager mind. Download now and embark on a learning journey that promises to expand your horizons. .

[https://py.bijouxmedusa.com/public/Resources/HomePages/Minimalist\\_Lifestyle\\_Examples\\_For\\_Entrepreneurs\\_61\\_1783\\_Minimalist.pdf](https://py.bijouxmedusa.com/public/Resources/HomePages/Minimalist_Lifestyle_Examples_For_Entrepreneurs_61_1783_Minimalist.pdf)

## **Table of Contents 60v Dual N Channel Mosfet**

1. Understanding the eBook 60v Dual N Channel Mosfet
  - The Rise of Digital Reading 60v Dual N Channel Mosfet
  - Advantages of eBooks Over Traditional Books
2. Identifying 60v Dual N Channel Mosfet
  - Exploring Different Genres
  - Considering Fiction vs. Non-Fiction
  - Determining Your Reading Goals
3. Choosing the Right eBook Platform
  - Popular eBook Platforms
  - Features to Look for in an 60v Dual N Channel Mosfet
  - User-Friendly Interface
4. Exploring eBook Recommendations from 60v Dual N Channel Mosfet
  - Personalized Recommendations
  - 60v Dual N Channel Mosfet User Reviews and Ratings
  - 60v Dual N Channel Mosfet and Bestseller Lists
5. Accessing 60v Dual N Channel Mosfet Free and Paid eBooks
  - 60v Dual N Channel Mosfet Public Domain eBooks
  - 60v Dual N Channel Mosfet eBook Subscription Services

- 60v Dual N Channel Mosfet Budget-Friendly Options
- 6. Navigating 60v Dual N Channel Mosfet eBook Formats
  - ePub, PDF, MOBI, and More
  - 60v Dual N Channel Mosfet Compatibility with Devices
  - 60v Dual N Channel Mosfet Enhanced eBook Features
- 7. Enhancing Your Reading Experience
  - Adjustable Fonts and Text Sizes of 60v Dual N Channel Mosfet
  - Highlighting and Note-Taking 60v Dual N Channel Mosfet
  - Interactive Elements 60v Dual N Channel Mosfet
- 8. Staying Engaged with 60v Dual N Channel Mosfet
  - Joining Online Reading Communities
  - Participating in Virtual Book Clubs
  - Following Authors and Publishers 60v Dual N Channel Mosfet
- 9. Balancing eBooks and Physical Books 60v Dual N Channel Mosfet
  - Benefits of a Digital Library
  - Creating a Diverse Reading Collection 60v Dual N Channel Mosfet
- 10. Overcoming Reading Challenges
  - Dealing with Digital Eye Strain
  - Minimizing Distractions
  - Managing Screen Time
- 11. Cultivating a Reading Routine 60v Dual N Channel Mosfet
  - Setting Reading Goals 60v Dual N Channel Mosfet
  - Carving Out Dedicated Reading Time
- 12. Sourcing Reliable Information of 60v Dual N Channel Mosfet
  - Fact-Checking eBook Content of 60v Dual N Channel Mosfet
  - Distinguishing Credible Sources
- 13. Promoting Lifelong Learning
  - Utilizing eBooks for Skill Development
  - Exploring Educational eBooks
- 14. Embracing eBook Trends

- Integration of Multimedia Elements
- Interactive and Gamified eBooks

### **60v Dual N Channel Mosfet Introduction**

In the digital age, access to information has become easier than ever before. The ability to download 60v Dual N Channel Mosfet has revolutionized the way we consume written content. Whether you are a student looking for course material, an avid reader searching for your next favorite book, or a professional seeking research papers, the option to download 60v Dual N Channel Mosfet has opened up a world of possibilities. Downloading 60v Dual N Channel Mosfet provides numerous advantages over physical copies of books and documents. Firstly, it is incredibly convenient. Gone are the days of carrying around heavy textbooks or bulky folders filled with papers. With the click of a button, you can gain immediate access to valuable resources on any device. This convenience allows for efficient studying, researching, and reading on the go. Moreover, the cost-effective nature of downloading 60v Dual N Channel Mosfet has democratized knowledge. Traditional books and academic journals can be expensive, making it difficult for individuals with limited financial resources to access information. By offering free PDF downloads, publishers and authors are enabling a wider audience to benefit from their work. This inclusivity promotes equal opportunities for learning and personal growth. There are numerous websites and platforms where individuals can download 60v Dual N Channel Mosfet. These websites range from academic databases offering research papers and journals to online libraries with an expansive collection of books from various genres. Many authors and publishers also upload their work to specific websites, granting readers access to their content without any charge. These platforms not only provide access to existing literature but also serve as an excellent platform for undiscovered authors to share their work with the world. However, it is essential to be cautious while downloading 60v Dual N Channel Mosfet. Some websites may offer pirated or illegally obtained copies of copyrighted material. Engaging in such activities not only violates copyright laws but also undermines the efforts of authors, publishers, and researchers. To ensure ethical downloading, it is advisable to utilize reputable websites that prioritize the legal distribution of content. When downloading 60v Dual N Channel Mosfet, users should also consider the potential security risks associated with online platforms. Malicious actors may exploit vulnerabilities in unprotected websites to distribute malware or steal personal information. To protect themselves, individuals should ensure their devices have reliable antivirus software installed and validate the legitimacy of the websites they are downloading from. In conclusion, the ability to download 60v Dual N Channel Mosfet has transformed the way we access information. With the convenience, cost-effectiveness, and accessibility it offers, free PDF downloads have become a popular choice for students, researchers, and book lovers worldwide. However, it is crucial to engage in ethical downloading practices and prioritize personal security when utilizing online platforms. By doing

so, individuals can make the most of the vast array of free PDF resources available and embark on a journey of continuous learning and intellectual growth.

### **FAQs About 60v Dual N Channel Mosfet Books**

How do I know which eBook platform is the best for me? Finding the best eBook platform depends on your reading preferences and device compatibility. Research different platforms, read user reviews, and explore their features before making a choice. Are free eBooks of good quality? Yes, many reputable platforms offer high-quality free eBooks, including classics and public domain works. However, make sure to verify the source to ensure the eBook credibility. Can I read eBooks without an eReader? Absolutely! Most eBook platforms offer webbased readers or mobile apps that allow you to read eBooks on your computer, tablet, or smartphone. How do I avoid digital eye strain while reading eBooks? To prevent digital eye strain, take regular breaks, adjust the font size and background color, and ensure proper lighting while reading eBooks. What the advantage of interactive eBooks? Interactive eBooks incorporate multimedia elements, quizzes, and activities, enhancing the reader engagement and providing a more immersive learning experience. 60v Dual N Channel Mosfet is one of the best book in our library for free trial. We provide copy of 60v Dual N Channel Mosfet in digital format, so the resources that you find are reliable. There are also many Ebooks of related with 60v Dual N Channel Mosfet. Where to download 60v Dual N Channel Mosfet online for free? Are you looking for 60v Dual N Channel Mosfet PDF? This is definitely going to save you time and cash in something you should think about. If you trying to find then search around for online. Without a doubt there are numerous these available and many of them have the freedom. However without doubt you receive whatever you purchase. An alternate way to get ideas is always to check another 60v Dual N Channel Mosfet. This method for see exactly what may be included and adopt these ideas to your book. This site will almost certainly help you save time and effort, money and stress. If you are looking for free books then you really should consider finding to assist you try this. Several of 60v Dual N Channel Mosfet are for sale to free while some are payable. If you arent sure if the books you would like to download works with for usage along with your computer, it is possible to download free trials. The free guides make it easy for someone to free access online library for download books to your device. You can get free download on free trial for lots of books categories. Our library is the biggest of these that have literally hundreds of thousands of different products categories represented. You will also see that there are specific sites catered to different product types or categories, brands or niches related with 60v Dual N Channel Mosfet. So depending on what exactly you are searching, you will be able to choose e books to suit your own need. Need to access completely for Campbell Biology Seventh Edition book? Access Ebook without any digging. And by having access to our ebook online or by storing it on your computer, you have convenient answers with 60v

Dual N Channel Mosfet To get started finding 60v Dual N Channel Mosfet, you are right to find our website which has a comprehensive collection of books online. Our library is the biggest of these that have literally hundreds of thousands of different products represented. You will also see that there are specific sites catered to different categories or niches related with 60v Dual N Channel Mosfet So depending on what exactly you are searching, you will be able to choose ebook to suit your own need. Thank you for reading 60v Dual N Channel Mosfet. Maybe you have knowledge that, people have search numerous times for their favorite readings like this 60v Dual N Channel Mosfet, but end up in harmful downloads. Rather than reading a good book with a cup of coffee in the afternoon, instead they juggled with some harmful bugs inside their laptop. 60v Dual N Channel Mosfet is available in our book collection an online access to it is set as public so you can download it instantly. Our digital library spans in multiple locations, allowing you to get the most less latency time to download any of our books like this one. Merely said, 60v Dual N Channel Mosfet is universally compatible with any devices to read.

### **Find 60v Dual N Channel Mosfet :**

~~minimalist lifestyle examples for entrepreneurs 61-1783 minimalist~~

~~business 61-851 retirement planning explained for entrepreneurs 61-360~~

**61-1228 business automation tutorial USA 61-2063 business automation**

**development tools for creators 61-1365 chatbot development tools for**

**61-1233 machine learning basics checklist America 61-1306 machine**

**checklist for startups 61-995 mobile app ideas comparison America 61-757**

*coding for beginners trends for startups 61-2287 coding for beginners*

**guide for small business 61-949 online business review for entrepreneurs**

*61-2618 SEO strategy case study America 61-2758 SEO strategy case study*

*personal finance trends United States 61-1671 personal finance trends*

*United States 61-2595 coding for beginners strategies for small business*

*cybersecurity step by step United States 61-1161 cybersecurity step by*

*61-1056 blockchain development strategies for creators 61-2563*

**marketing software for small business 61-182 affiliate marketing**

**examples for small business 61-2981 cybersecurity explained America**

**60v Dual N Channel Mosfet :**

**communicating at work strategies for success in business and** - Jun 22 2023

web sep 26 2012 mcgraw hill education sep 26 2012 language arts disciplines 480 pages the 11th edition of communicating at work enhances the strategic approach

**communicating at work information center mcgraw hill** - Mar 19 2023

web sep 26 2012 communicating at work principles and practices for business and the professions 11th edition communicating at work principles and practices for

*communicating at work strategies for success in* - Aug 24 2023

web sep 26 2012 the 11th edition of communicating at work enhances the strategic approach real world practicality and reader friendly voice that have made this text the

*communicating at work 13th edition mcgraw hill* - Oct 14 2022

web the eleventh edition enhances the strategic approach real world practicality and reader friendly voice that have made communicating at work the market leader for three dec

*communicating at work principles and practices for business* - Mar 07 2022

web sep 26 2012 4 3 375 ratings see all formats and editions the 11th edition of communicating at work enhances the strategic approach real world practicality and

**communicating at work pdf document** - Jul 11 2022

web sep 26 2012 this 11 th edition retains the hallmark features that have been praised by college students and faculty a strong emphasis on ethical communication and

**communicating at work 11th edition textbook solutions chegg** - May 09 2022

web sep 26 2012 communicating at work 11th edition ebook ebook details authors ronald b adler jeanne marquardt elmhorst and kristen lucas file format pdf size

**communicating at work google books** - Jul 23 2023

web the 11th edition of communicating at work enhances the strategic approach real world practicality and reader friendly voice that have made this text the market leader for three

**communicating at work chapter overview mcgraw hill** - Jun 10 2022

web sep 18 2009 as the leading text in its field communicating at work takes a pragmatic approach that applies scholarly principles to real world business situations strong

**pdf download communicating at work strategies for success** - Aug 12 2022

web communicating at work 11th edition isbn 13 9780078036804 isbn 0078036804 authors ronald a adler jeanne marquardt

elmhorst kristen lucas rent buy this is

*communicating at work principles and practices for business* - Feb 18 2023

web jan 1 2013 revised version for tarrant county college district the 11th edition of communicating at work enhances the strategic approach real world practicality and

**communicating at work 11th edition pdf textbooks cc** - Apr 08 2022

web communicating at work strategies for success in business and the professions by ronald b adler adler elmhorst ronald b adler jeanne marquardt elmhorst and kristen

**communicating at work principles and practices for** - Nov 15 2022

web aug 9 2020 the 11th edition of communicating at work enhances the strategic approach realworld practicality and reader friendly voice that have made this text the

communicating at work 11th edition ebook - Feb 06 2022

web sep 26 2012 isbn 13 9780078036804 43 00 7 00 communicating at work 11th edition ebook quantity or add to cart communicating at work 11ed

communicating at work by ronald b adler open library - Jan 05 2022

**communicating at work strategies for success in business and the** - Apr 20 2023

web the 11th edition of communicating at work enhances the strategic approach real world practicality and reader friendly voice that have made this text the market leader for three

**communicating at work strategies for success in business and** - Dec 04 2021

*communicating at work tcc custom edition 11th amazon com* - Dec 16 2022

web communicating at work strategies for success in business and the professions adler ronald b ronald brian 1946 free download borrow and streaming internet archive

**communicating at work strategies for success in business and** - Sep 13 2022

web communication as the term is used in this book is a process in which people who occupy differing environments exchange messages in a specific context via one or more

**amazon com communicating at work 11th edition** - May 21 2023

web dec 20 2021 check pages 1 50 of communicating at work strategies for success in business and the professions in the flip pdf version communicating at work strategies

**communicating at work 11th edition ebook** - Nov 03 2021

**connect online access for communicating at work 11th** - Jan 17 2023

web in a time of great upheaval for traditional workspaces around the globe communicating at work strategies for success in business and the professions reminds students that

**honda nt700v deauville service manual pdf download** - Aug 15 2023

web view and download honda nt700v deauville service manual online nt700v deauville motorcycle pdf manual download also for nt700va deauville

**honda workshop service honda deauville owners worldwide** - Mar 30 2022

web honda workshop service manual nt700v sections 1 4 dropbox com s 7seq8gl1n2x9r5r nt700v 20service 20manual 20sections 201 4 pdf dl 0

**honda 2010 nt700v owner s manual pdf download manualslib** - Apr 30 2022

web view and download honda 2010 nt700v owner s manual online honda nt700v va 2010 nt700v motorcycle pdf manual download also for 2010 nt700va deauville nt700v 2010 deauville nt700va 2010

*honda nt700 nt700v nt700va 2005 2007 service repair manual* - Aug 03 2022

web honda nt700 nt700v nt700va 2005 2007 service repair manual honda nt700 nt700v nt700va 2005 2006 2007 service repair manual this is the complete factory service repair manual for the honda nt700 nt700v nt700va 2005 2006 2007 this service manual comes in pdf format

**honda nt700v deauville maintenance schedule** - Feb 26 2022

web dec 1 2020 honda nt700v a k a honda deauville 2006 2015 maintenance schedule and service intervals including valve checks fluid changes and other regular services

**honda nt700 nt700v nt700va 2005 2007 service manual** - Jun 01 2022

web this professional technical manual contains service maintenance and troubleshooting information for your honda nt700 nt700v nt700va 2005 2007 it is the manual used in the local service repair shop honda nt700 nt700v nt700va 2005 2007 manual is guaranteed to be fully useful to save your precious time

**2010 2011 nt700v a service manual helm incorporated** - Jan 08 2023

web 2010 2011 nt700v a service manual honda genuine service manuals lead the industry with clear comprehensive presentation of motorcycle service and repair procedures each service manual is model specific and contains easy to read text sections supported by top quality photography and illustrations a comprehensive general information section

**honda nt700 deauville service manual free download borrow** - Jul 14 2023

web feb 11 2023 honda nt700 deauville service manual topics honda deauville service manual collection opensource language english the complete service manual for the honda nt700v nt700vi deauville motorbike addeddate

[honda nt700v owner s manual pdf download manualslib](#) - Jan 28 2022

web motorcycle honda nt700v owner s manual 157 pages motorcycle honda nt700v deauville service manual 106 pages motorcycle honda 2010 nt700v owner s manual honda nt700v va 256 pages motorcycle honda ntv650 owner s manual honda ntv650 motorcycle owner s manual 300 pages motorcycle honda ntv650 owner s manual

**honda nt700v nt700va deauville service repair manual 2006** - Sep 04 2022

web this honda nt700v nt700va deauville service repair manual 2006 2012 mt027041 provides detailed illustrations as well as step by step instructions for do it yourself mechanics to repair and maintain their honda motorcycle it includes wiring diagrams fault finding troubleshooting and more

**honda** - Dec 07 2022

web honda

**honda nt700v owner s manual pdf download manualslib** - Nov 06 2022

web honda nt700v owner s manual motorcycle also see for nt700v owner s manual 157 pages owner s manual 448 pages service manual 106 pages 1 2 3 4 5 6 7 8 9 10 11 12 13 14 15 16 17 18 19 20 21 22 23 24 25

[honda nt700 service manual home rightster com](#) - Dec 27 2021

web honda nt700 service manual 2010 2011 honda nt700 service manual october 11th 2018 this official 2010 2011 honda nt700 factory service manual provides detailed service information step by step repair instruction and maintenance specifications for honda nt700v a motorcycles this is the same manual used by your local honda dealer

[2006 honda nt700v nt700va service repair manual issuu](#) - Apr 11 2023

web apr 27 2019 how to use thls manual this service manual describes the service procedures for the nt700vi va follow the maintenance schedule section 4 recommendations to ensure that the vehicle is in

**2005 2006 2007 honda nt700 nt700v nt700va service repair manual** - Jul 02 2022

web 2005 2006 2007 honda nt700 nt700v nt700va service repair manual has easy to read text sections with top quality diagrams and instructions will guide you through fundamentals of maintaining and repairing step by step to teach you what the factory trained technicians already know by heart

[2010 nt700v va owner s manual honda](#) - Oct 05 2022

web 2010 hondant700v va owner smanual 09 07 23 17 50 54 31mewa00 0002

[honda nt700v owner s manual pdf download manualslib](#) - Jun 13 2023

web view and download honda nt700v owner s manual online nt700v motorcycle pdf manual download also for nt700va

**2006 2013 honda nt700v deauville service workshop manual** - Mar 10 2023

web 2006 to 2013 honda nt700v nt700va deauville service repair workshop manual provided in pdf form in english language

includes wiring diagram total of 587 pages

[honda deauville nt700v service repair manual pdf](#) - May 12 2023

web honda deauville nt700v pdf service repair manuals 2005 2006 2007 honda nt700 nt700v nt700va service repair workshop manual download download now best honda nt700v nt700va motorcycle service repair manual 2005 2007 download download now

**2010 2011 honda nt700 motorcycle scooter service manual** - Feb 09 2023

web this official 2010 2011 honda nt700 factory service manual provides detailed service information step by step repair instruction and maintenance specifications for honda nt700v a motorcycles this is the same manual used by your local honda dealer it has everything in it you need to know in order to repair and service your motorcycle

**word tutorial bing kenexa 2010 proveit galileo banyanbotanicals** - Oct 05 2022

web enter the realm of kenexa proveit word 2010 tutorial bing pdf a mesmerizing literary masterpiece penned by way of a distinguished author guiding readers on a profound

*kenexa proveit word 2010 tutorial wrbb neu* - Mar 30 2022

web pdf kenexa proveit word 2010 tutorial bing pdfsdir com april 24th 2018 related searches for kenexa proveit word 2010 tutorial proveit skills testing website

**kenexa proveit word 2010 tutorial bing archive stirlingsports co** - Aug 03 2022

web pdf kenexa proveit word 2010 tutorial bing prove it kenexa are on the kenexa prove it tests excel and word here are the microsoft word 2010 test topics cutting text

**kenexa proveit word 2010 tutorial bing** - Jan 08 2023

web update your vocabulary practices to meet the common core and improve students word knowledge this new clearly structured guide shows you how it s packed with engaging

*kenexa proveit word 2010 tutorial copy wrbb neu* - Jun 01 2022

web kenexa proveit word 2010 tutorial bing yeah reviewing a ebook kenexa proveit word 2010 tutorial bing could increase your close contacts listings this is just one of the

[kenexa prove it microsoft powerpoint 2010 slideshare](#) - Nov 25 2021

web kenexa proveit word 2010 tutorial bing copy web kenexa proveit word 2010 tutorial bing focused retrieval of content and structure apr 07 2022 this book constitutes the

*kenexa style proveit sample questions for microsoft* - May 12 2023

web kenexa proveit word 2010 tutorial bing word tutorial for beginners learn microsoft office 2010 from scratch jul 20 2023 microsoft office word 2010 allows you to create

*kenexa proveit word 2010 tutorial bing analytics testkestories* - Mar 10 2023

web kenexa proveit word 2010 tutorial bing the death of the internet nov 09 2021 fraud poses a significant threat to the internet 1 5 of all online advertisements attempt to

[kenexa proveit word 2010 tutorial bing copy](#) - Feb 09 2023

web in some cases you likewise pull off not discover the publication kenexa proveit word 2010 tutorial bing that you are looking for it will enormously squander the time however

**downloadable free pdfs kenexa proveit word 2010 tutorial bing** - Jun 13 2023

copy and paste the contents of the text box below to the top left corner of a new word document left click hold and drag to mark the text right click choose copy on the see more

[kenexa proveit word 2010 tutorial budi parisbytrain com](#) - Apr 30 2022

web we present kenexa proveit word 2010 tutorial and numerous ebook collections from fictions to scientific research in any way in the midst of them is this kenexa proveit

*kenexa proveit word 2010 tutorial bing rigby 2023* - Jul 02 2022

web kenexa proveit word 2010 tutorial bing but end in the works in harmful downloads rather than enjoying a fine ebook afterward a cup of coffee in the afternoon instead

[kenexa proveit word 2010 tutorial bing pdf pdf voto uncal edu](#) - Nov 06 2022

web microsoft excel 2010 test answers kenexa proveit word 2010 tutorial bing has anyone here ever used proveit how did u review for this test i need to take the 2010

**kenexa prove it word test prep online practice** - Aug 15 2023

microsoft word is one of the workplace s most commonly used computer programs as such word tests are often part of the job recruitment process they can be taken at any point in the process although most candidates will take the microsoft word test during their interview the kenexa prove it microsoft word see more

*kenexa prove it microsoft excel 2010 slideshare* - Oct 25 2021

web jul 15 2015 kenexa prove it microsoft powerpoint 2010 jul 15 2015 0 likes 11 827 views download now download to read offline

**kenexa proveit word 2010 tutorial bing home rightster com** - Sep 23 2021

web jul 16 2015 kenexa prove it microsoft word 2010 sabrina aziz 3 4k views 3 slides excel 2010 test results lacey desper 797 views 4 slides prove it ms excel kristen

**kenexa prove it word 2010 test answers answers for 2023** - Sep 04 2022

web guide word tutorial bing kenexa 2010 proveit or get it as soon as possible this is why we offer the ebook assortments in

this website you could swiftly retrieve this word

**kenexa prove it microsoft word 2010 ppt slideshare** - Jul 14 2023

in most cases the prove it assessments will include both excel and word tests if this is the case for you check out our new combo pack to help you improve your performance in both see more

**kenexa proveit word 2010 tutorial 2022 projects techhut** - Jan 28 2022

web kenexa proveit word 2010 tutorial training solutions login microsoft word 2010 test 35 questions if you began typing in this microsoft word document prove it

**kenexa proveit word 2010 tutorial bing pdf** - Apr 11 2023

web below are free sample questions similar to the questions seen on a typical prove it microsoft word assessment for both interactive and multiple choice questions our products offer

*kenexa proveit word 2010 tutorial pdf 2023* - Dec 27 2021

web kenexa proveit word 2010 tutorial gupton vindex me word2010 practice test word 2010 tutorial a comprehensive guide to microsoft word how to succeed on kenexa

**kenexa proveit word 2010 tutorial orientation sutd edu** - Feb 26 2022

web getting the books kenexa proveit word 2010 tutorial now is not type of inspiring means you could not lonely going with book increase or library or borrowing from your

kenexa proveit word 2010 tutorial bing housing gov - Dec 07 2022

web kenexa proveit word 2010 tutorial bing microsoft excel 2010 normal user practice test kenexa may 8th 2018 excel test 1 math worksheet cert 77 882 prove it practice 2010