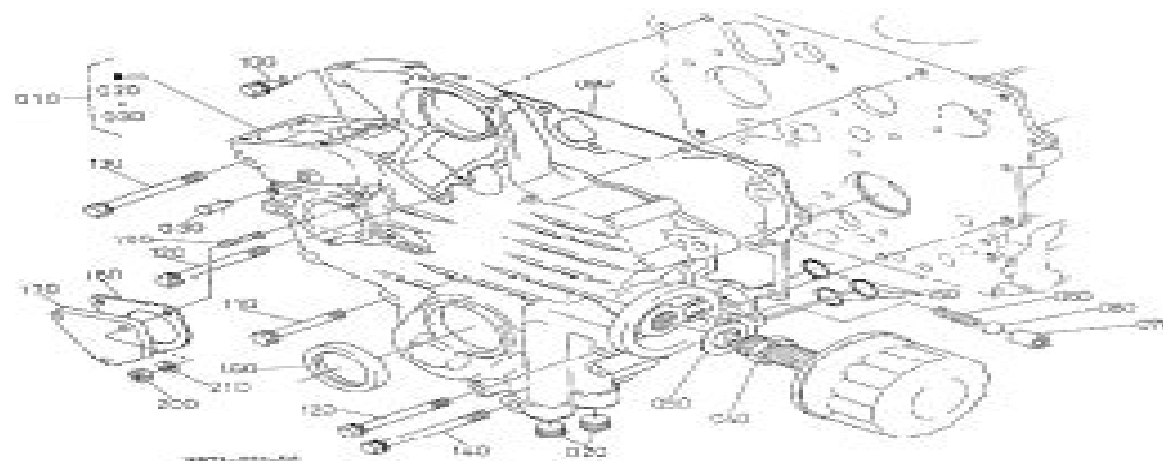


0004

**GEAR CASE
CARTER DE DISTRIBUTION
GETRIEBEGEHÄUSE**


A:DT22-ERR-EC-STD-2

ILL. NO. FIG. N°	PART NO. REFERENCE BEZELL-Nr.	PART NAME	DESIGNATION	BEZEICHNUNG	STUDOLV. No.		I. C.	SPARBEI. REPARBEI. BEWEISUNGEN
					A	B		
010	15889-0402-0	CRWP. CASE, GEAR	CARTER DISTR. COMP.	KMP. GETRIEBEGEHÄUSE	1	-		
020	15851-9501-0	FLIE	BOUCHON	STÖPFEN	2	-		
030	15841-5528-0	PIN, START SPRING	GOUPILLE DU RESSORT	STARTFEDERSTIFT	1	-		
040	15241-3229-0	JOINT, PIPE	RACCORD DE TIRAGE	VERBINDUNGSSTUECK	1	-		
050	15841-9401-0	WASHER, PLAIN	RONDELLE FREIN	SCHREIBE	1	-		
060	15851-3595-0	SPRING	RESSORT	FEDER	1	-		
070	15841-3593-0	SEAT, VALVE	SIÈGE DE SOUPE	SITZ, VENTIL	1	-		
080	07715-03211	BALL	BIJULE	KUGEL	1	-		
090	15862-0413-2	GASKET, GEAR CASE NR	JOINT DE CARTER-015	DICHTUNG, GETR. GET	1	-		
100	01023-59618	BELT	VIT	BOLZEN	1	-		
110	01023-60650	BELT	VIT	BOLZEN	8	-		
120	15841-0101-0	BELT	VIT	BOLZEN	5	-		
130	01023-60670	BELT	VIT	BOLZEN	1	-		
140	01023-59675	BELT	VIT	RAIFEN	1	-		
150	04814-08130	O RING	JOINT TORIQUE	O RING	3	-		
160	15877-0414-0	SEAL, OIL	BASE JOINT	ÖLDICHTENSRING	1	-		
170	19461-8334-0	COVER	COUVERCLE	DECKEL	1	-		
180	10461-8813-2	GASKET, H/W GEAR CASE	JOINT	DICHTUNG	1	-		
190	15271-8821-0	STD	GOIJON	STEBBOLZEN	3	-		
200	02056-50050	NUT	ECROU	MUTTER	3	-		
210	04512-60050	WASHER, SPRING	RONDELLE GRWDR	FEDERRING	3	-		

↔ Interchangeable; ↗ not interchangeable; 0 - new for old; → old for new

6d22 Engine Part Catalog

Caterpillar Tractor Company



6d22 Engine Part Catalog:

Recognizing the pretentiousness ways to get this books **6d22 Engine Part Catalog** is additionally useful. You have remained in right site to start getting this info. acquire the 6d22 Engine Part Catalog join that we offer here and check out the link.

You could buy lead 6d22 Engine Part Catalog or get it as soon as feasible. You could quickly download this 6d22 Engine Part Catalog after getting deal. So, gone you require the books swiftly, you can straight get it. Its correspondingly entirely easy and consequently fats, isnt it? You have to favor to in this way of being

https://py.bijouxmedusa.com/files/scholarship/index.jsp/mechanics_of_materials_hibbeler_8th_edition_solution_scribd.pdf

Table of Contents 6d22 Engine Part Catalog

1. Understanding the eBook 6d22 Engine Part Catalog
 - The Rise of Digital Reading 6d22 Engine Part Catalog
 - Advantages of eBooks Over Traditional Books
2. Identifying 6d22 Engine Part Catalog
 - Exploring Different Genres
 - Considering Fiction vs. Non-Fiction
 - Determining Your Reading Goals
3. Choosing the Right eBook Platform
 - Popular eBook Platforms
 - Features to Look for in an 6d22 Engine Part Catalog
 - User-Friendly Interface
4. Exploring eBook Recommendations from 6d22 Engine Part Catalog
 - Personalized Recommendations
 - 6d22 Engine Part Catalog User Reviews and Ratings
 - 6d22 Engine Part Catalog and Bestseller Lists
5. Accessing 6d22 Engine Part Catalog Free and Paid eBooks

- 6d22 Engine Part Catalog Public Domain eBooks
- 6d22 Engine Part Catalog eBook Subscription Services
- 6d22 Engine Part Catalog Budget-Friendly Options
- 6. Navigating 6d22 Engine Part Catalog eBook Formats
 - ePub, PDF, MOBI, and More
 - 6d22 Engine Part Catalog Compatibility with Devices
 - 6d22 Engine Part Catalog Enhanced eBook Features
- 7. Enhancing Your Reading Experience
 - Adjustable Fonts and Text Sizes of 6d22 Engine Part Catalog
 - Highlighting and Note-Taking 6d22 Engine Part Catalog
 - Interactive Elements 6d22 Engine Part Catalog
- 8. Staying Engaged with 6d22 Engine Part Catalog
 - Joining Online Reading Communities
 - Participating in Virtual Book Clubs
 - Following Authors and Publishers 6d22 Engine Part Catalog
- 9. Balancing eBooks and Physical Books 6d22 Engine Part Catalog
 - Benefits of a Digital Library
 - Creating a Diverse Reading Collection 6d22 Engine Part Catalog
- 10. Overcoming Reading Challenges
 - Dealing with Digital Eye Strain
 - Minimizing Distractions
 - Managing Screen Time
- 11. Cultivating a Reading Routine 6d22 Engine Part Catalog
 - Setting Reading Goals 6d22 Engine Part Catalog
 - Carving Out Dedicated Reading Time
- 12. Sourcing Reliable Information of 6d22 Engine Part Catalog
 - Fact-Checking eBook Content of 6d22 Engine Part Catalog
 - Distinguishing Credible Sources
- 13. Promoting Lifelong Learning
 - Utilizing eBooks for Skill Development

- Exploring Educational eBooks
- 14. Embracing eBook Trends
 - Integration of Multimedia Elements
 - Interactive and Gamified eBooks

6d22 Engine Part Catalog Introduction

Free PDF Books and Manuals for Download: Unlocking Knowledge at Your Fingertips In today's fast-paced digital age, obtaining valuable knowledge has become easier than ever. Thanks to the internet, a vast array of books and manuals are now available for free download in PDF format. Whether you are a student, professional, or simply an avid reader, this treasure trove of downloadable resources offers a wealth of information, conveniently accessible anytime, anywhere. The advent of online libraries and platforms dedicated to sharing knowledge has revolutionized the way we consume information. No longer confined to physical libraries or bookstores, readers can now access an extensive collection of digital books and manuals with just a few clicks. These resources, available in PDF, Microsoft Word, and PowerPoint formats, cater to a wide range of interests, including literature, technology, science, history, and much more. One notable platform where you can explore and download free 6d22 Engine Part Catalog PDF books and manuals is the internet's largest free library. Hosted online, this catalog compiles a vast assortment of documents, making it a veritable goldmine of knowledge. With its easy-to-use website interface and customizable PDF generator, this platform offers a user-friendly experience, allowing individuals to effortlessly navigate and access the information they seek. The availability of free PDF books and manuals on this platform demonstrates its commitment to democratizing education and empowering individuals with the tools needed to succeed in their chosen fields. It allows anyone, regardless of their background or financial limitations, to expand their horizons and gain insights from experts in various disciplines. One of the most significant advantages of downloading PDF books and manuals lies in their portability. Unlike physical copies, digital books can be stored and carried on a single device, such as a tablet or smartphone, saving valuable space and weight. This convenience makes it possible for readers to have their entire library at their fingertips, whether they are commuting, traveling, or simply enjoying a lazy afternoon at home. Additionally, digital files are easily searchable, enabling readers to locate specific information within seconds. With a few keystrokes, users can search for keywords, topics, or phrases, making research and finding relevant information a breeze. This efficiency saves time and effort, streamlining the learning process and allowing individuals to focus on extracting the information they need. Furthermore, the availability of free PDF books and manuals fosters a culture of continuous learning. By removing financial barriers, more people can access educational resources and pursue lifelong learning, contributing to personal growth and professional development. This democratization of knowledge promotes intellectual curiosity and empowers

individuals to become lifelong learners, promoting progress and innovation in various fields. It is worth noting that while accessing free 6d22 Engine Part Catalog PDF books and manuals is convenient and cost-effective, it is vital to respect copyright laws and intellectual property rights. Platforms offering free downloads often operate within legal boundaries, ensuring that the materials they provide are either in the public domain or authorized for distribution. By adhering to copyright laws, users can enjoy the benefits of free access to knowledge while supporting the authors and publishers who make these resources available. In conclusion, the availability of 6d22 Engine Part Catalog free PDF books and manuals for download has revolutionized the way we access and consume knowledge. With just a few clicks, individuals can explore a vast collection of resources across different disciplines, all free of charge. This accessibility empowers individuals to become lifelong learners, contributing to personal growth, professional development, and the advancement of society as a whole. So why not unlock a world of knowledge today? Start exploring the vast sea of free PDF books and manuals waiting to be discovered right at your fingertips.

FAQs About 6d22 Engine Part Catalog Books

How do I know which eBook platform is the best for me? Finding the best eBook platform depends on your reading preferences and device compatibility. Research different platforms, read user reviews, and explore their features before making a choice. Are free eBooks of good quality? Yes, many reputable platforms offer high-quality free eBooks, including classics and public domain works. However, make sure to verify the source to ensure the eBook credibility. Can I read eBooks without an eReader? Absolutely! Most eBook platforms offer web-based readers or mobile apps that allow you to read eBooks on your computer, tablet, or smartphone. How do I avoid digital eye strain while reading eBooks? To prevent digital eye strain, take regular breaks, adjust the font size and background color, and ensure proper lighting while reading eBooks. What the advantage of interactive eBooks? Interactive eBooks incorporate multimedia elements, quizzes, and activities, enhancing the reader engagement and providing a more immersive learning experience. 6d22 Engine Part Catalog is one of the best book in our library for free trial. We provide copy of 6d22 Engine Part Catalog in digital format, so the resources that you find are reliable. There are also many Ebooks of related with 6d22 Engine Part Catalog. Where to download 6d22 Engine Part Catalog online for free? Are you looking for 6d22 Engine Part Catalog PDF? This is definitely going to save you time and cash in something you should think about.

Find 6d22 Engine Part Catalog :**mechanics of materials hibbeler 8th edition solution scribd**

~~microprocessor and microcontroller fundamentals by william kleitz~~

micro economy today 13th edition schiller

mirrors in the brain how our minds share actions emotions and experience

ministering to your family kenneth hagin

modelling extremal events for insurance and finance corrected 4th printing

metcalf and eddy wastewater engineering ebook**model de subiect competente lingvistice limba engleza**

mercedes w164 repair

milady standard esthetics fundamentals 10th edition

mis cases decision making with application software 4th edition

microsoft outlook questions and answers

mitosis flip book answers diagram masters pdf format**media impact an introduction mass****mercedes audio 50 aps w204 ntg4 dvd 2017 2018****6d22 Engine Part Catalog :**

Mazda 3 (2003-2008) , 5 (2005-2008) Head Unit pinout Jan 27, 2022 — Right Rear Speaker Positive Wire (+): White Right Rear Speaker Negative Wire (-): Gray. 16 pin Mazda Head Unit proprietary connector layout 2007 Mazda 3 Radio Wiring Chart - the12volt.com Jul 25, 2007 — 2007 Mazda 3 Radio Wiring Chart ; RR Speaker +/-, white - gray, +, - ; Notes: The subwoofer wires are gray/white - WHITE/ blue at the amplifier. I need wire diagram for a 2007 Mazda 3 S my vin is Jul 13, 2020 — From radio unit to the bose amp to the speakers. Thank you. Mechanic's Assistant: Have you checked all the fuses? Do you have a wiring diagram? 2007 Mazda 3 Stereo Wiring Diagrams Right Front Speaker Positive Wire (+): White/Red; Right Front Speaker Negative Wire (-): Gray/Red; Car Audio Rear Speakers ... MAZDA Car Radio Stereo Audio Wiring Diagram Autoradio ... Mazda 3 2011 stereo wiring diagram. Mazda 3 2011 stereo wiring diagram. Mazda ... Car radio wiring colour codes car radio speakers. Copyright © 2007 Tehnomagazin. Bose wiring diagram - Finally! *edited 5/15/07 Nov 7, 2005 — Here is a preview of my walkthrough, still have to take pics of the harness to make it a little easier. The top denotes the half of the ... 2007 SYSTEM WIRING DIAGRAMS Mazda HEADINGS. USING MITCHELL1'S WIRING DIAGRAMS; AIR

CONDITIONING; ANTI-LOCK BRAKES; ANTI-THEFT; COMPUTER DATA LINES; COOLING FAN; CRUISE CONTROL. 2.0L 2.3L 2.3L ... Radio Wiring Diagram Mazda 3 2007 : r/mazda3 Google "2007 Mazda 3 radio wiring diagram" and you will find oodles. Mazda is lazy efficient, so they all use the same wiring diagram. Does anyone know what all the stereo wire colors represent Oct 15, 2005 — Yellow is accessory power, red is constant, black is ground, purple is right rear, green is left rear, gray is right front, white is left front. Heizer operation management solution pdf summaries heizer operation managementsolution pdf solutions manual for additional problems operations management principles of operations management jay heizer. Jay Heizer Solutions Books by Jay Heizer with Solutions ; Study Guide for Operations Management 10th Edition 1194 Problems solved, Jay Heizer, Barry Render. Heizer Operation Management Solution CH 1 | PDF 1. The text suggests four reasons to study OM. We want to understand (1) how people organize themselves for productive enterprise, (2) how goods and services are ... Operations Management Sustainability and Supply Chain ... Nov 6, 2023 — Operations Management Sustainability and Supply Chain Management Jay Heizer 12th edition solution manual pdf. This book will also help you ... Operations Management Solution Manual Select your edition Below. Textbook Solutions for Operations Management. by. 12th Edition. Author: Barry Render, Jay Heizer, Chuck Munson. 1378 solutions ... Solution manual for Operations Management Jun 17, 2022 — name[]Solution manual for Operations Management: Sustainability and Supply Chain Management 12th Global Edition by Jay Heizer Sustainability and Supply Chain Management 13th edition ... Feb 18, 2022 — Solution manual for Operations Management: Sustainability and Supply Chain Management 13th edition by Jay Heizer. 479 views. Heizer Operation Management Solution PDF Heizer Operation Management Solution PDF Full description ... JAY HEIZER Texas Lutheran University BARRY RENDER Upper Saddle River, New ... Operations Management - 11th Edition - Solutions and ... Find step-by-step solutions and answers to Operations Management ... Operations Management 11th Edition by Barry Render, Jay Heizer. More textbook ... Solution Manual for Operations Management 12th Edition ... Solution Manual for Operations Management 12th Edition Heizer. Solution Manual for Operations Management 12th Edition Heizer. Author / Uploaded; a456989912. Looking schematic dual tank fuel pump system on a 2003 Sep 12, 2015 — Looking for wiring schematic for the dual tank fuel pump system on a 2003 Chevrolet C4500 gas engine 8.1L. The fuel transfer pump is not turning ... 2003 & 2004 MEDIUM DUTY C SERIES ELECTRICAL Component Locator - Where it is. • Connectors & Pinouts - What it looks like, and finally,. • Subsystem Schematics - Detailed wiring and electrical schematic ... I have a 2003 C4500 with an 8.1L. When the front tank is Sep 12, 2015 — Looking for wiring schematic for the dual tank fuel pump system on a 2003 Chevrolet C4500 gas engine 8.1L. The fuel transfer pump is not turning ... 4500 wiring diagram Jun 1, 2012 — Where can I find a wiring diagram for an 03 chevy 4500 with a duramax/allison? 03 c4500 not getting fuel? - Duramax Forum Jan 2, 2019 — I am working on a 2003 C4500 that is not getting fuel. This truck has a fass lift pump assembly on it, and does not have a normal filter head ... Fuel System Priming Prior to priming the engine, ensure that the following has

been completed: ◦ There is fuel in the fuel tank. ◦ The fuel filter has been installed and properly ... 4500/5500 Kodiak Fuel Lines LinesToGo offers replacement fuel lines for diesel Chevrolet Kodiak Series 4500 and 5500 pickups. Our fuel lines are for 2003, 2004, 2005, 2006, 2007, 2008, and ... priming fuel 6.6 Duramax - YouTube 2003 Chevy Duramax Fuel System Diagram 2003-09 Chevrolet C4500 Kodiak Fuel Filter Read more Read more compatibility ... , Chevy C4500: Dual Tank Plumbing & Fuel Pump Wiring Diagrams., 6L V8 DIESEL ...